



US00D699173S

(12) **United States Design Patent**
Zhao

(10) **Patent No.:** **US D699,173 S**

(45) **Date of Patent:** **** Feb. 11, 2014**

(54) **AUTOMOBILE WHEEL**

(71) Applicant: **John Zhao**, Monterey Park, CA (US)

(72) Inventor: **John Zhao**, Monterey Park, CA (US)

(73) Assignee: **Wah Hung Group, Inc.**, Monterey Park, CA (US)

(**) Term: **14 Years**

(21) Appl. No.: **29/457,891**

(22) Filed: **Jun. 13, 2013**

(51) **LOC (10) Cl.** **12-16**

(52) **U.S. Cl.**

USPC **D12/211**

(58) **Field of Classification Search**

USPC D12/204-213; 301/37.101, 64.101, 65, 301/64.201

See application file for complete search history.

(56) **References Cited**

U.S. PATENT DOCUMENTS

D444,119 S * 6/2001 Brintouch D12/211
D579,845 S * 11/2008 Chung D12/209
D582,829 S * 12/2008 Musser D12/211

D620,863 S * 8/2010 Groom D12/209
D625,241 S * 10/2010 Zhao D12/211
D625,242 S * 10/2010 Zhao D12/211
D639,222 S * 6/2011 Johnson D12/209
D649,101 S * 11/2011 Hale, Jr. D12/209
D659,067 S * 5/2012 Lee D12/209
D666,955 S * 9/2012 Chung D12/209
D675,970 S * 2/2013 Lee D12/209
D684,101 S * 6/2013 Alfonso D12/211

* cited by examiner

Primary Examiner — Stacia Cadmus

(74) *Attorney, Agent, or Firm* — Adli Law Group P.C.

(57) **CLAIM**

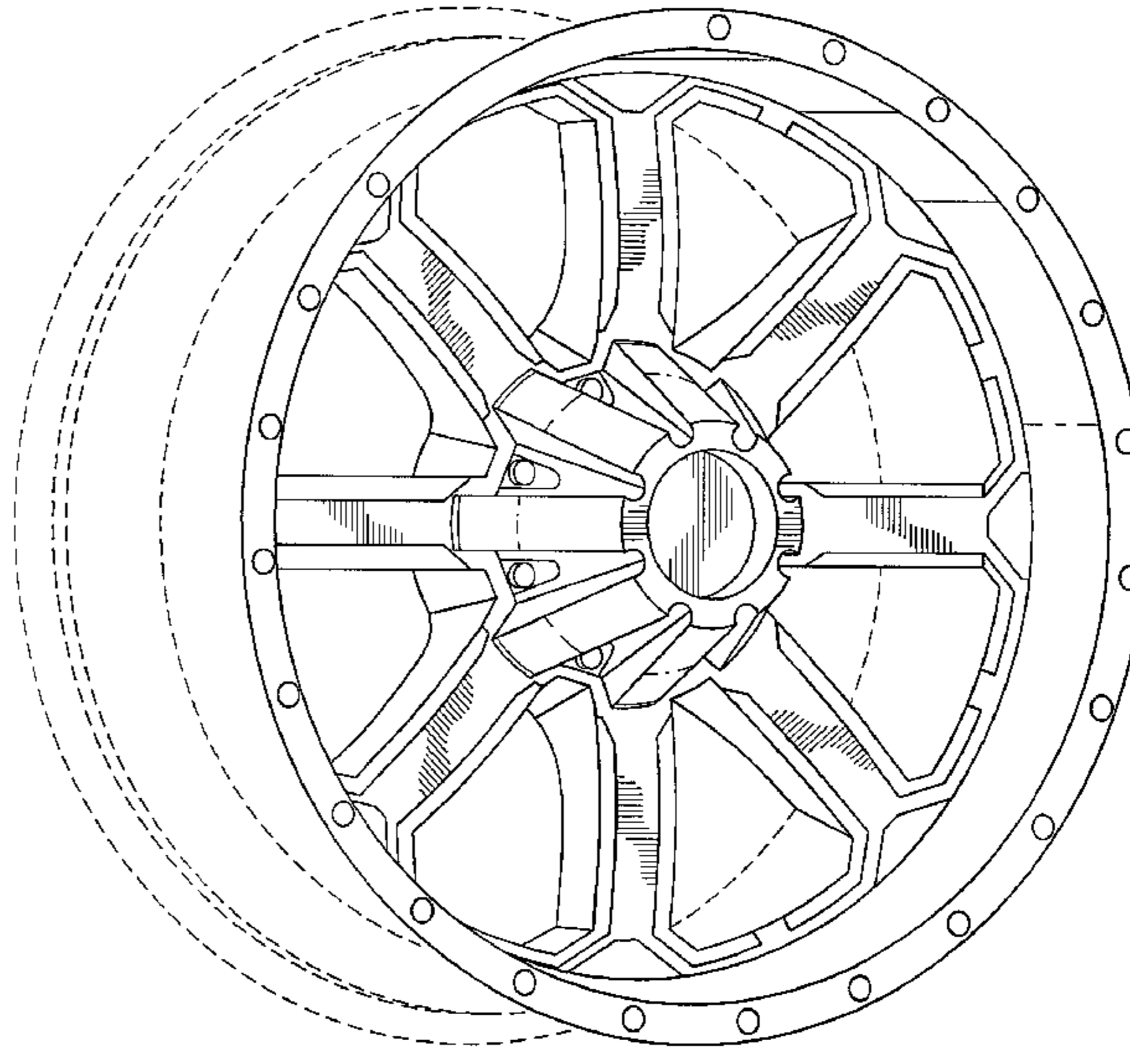
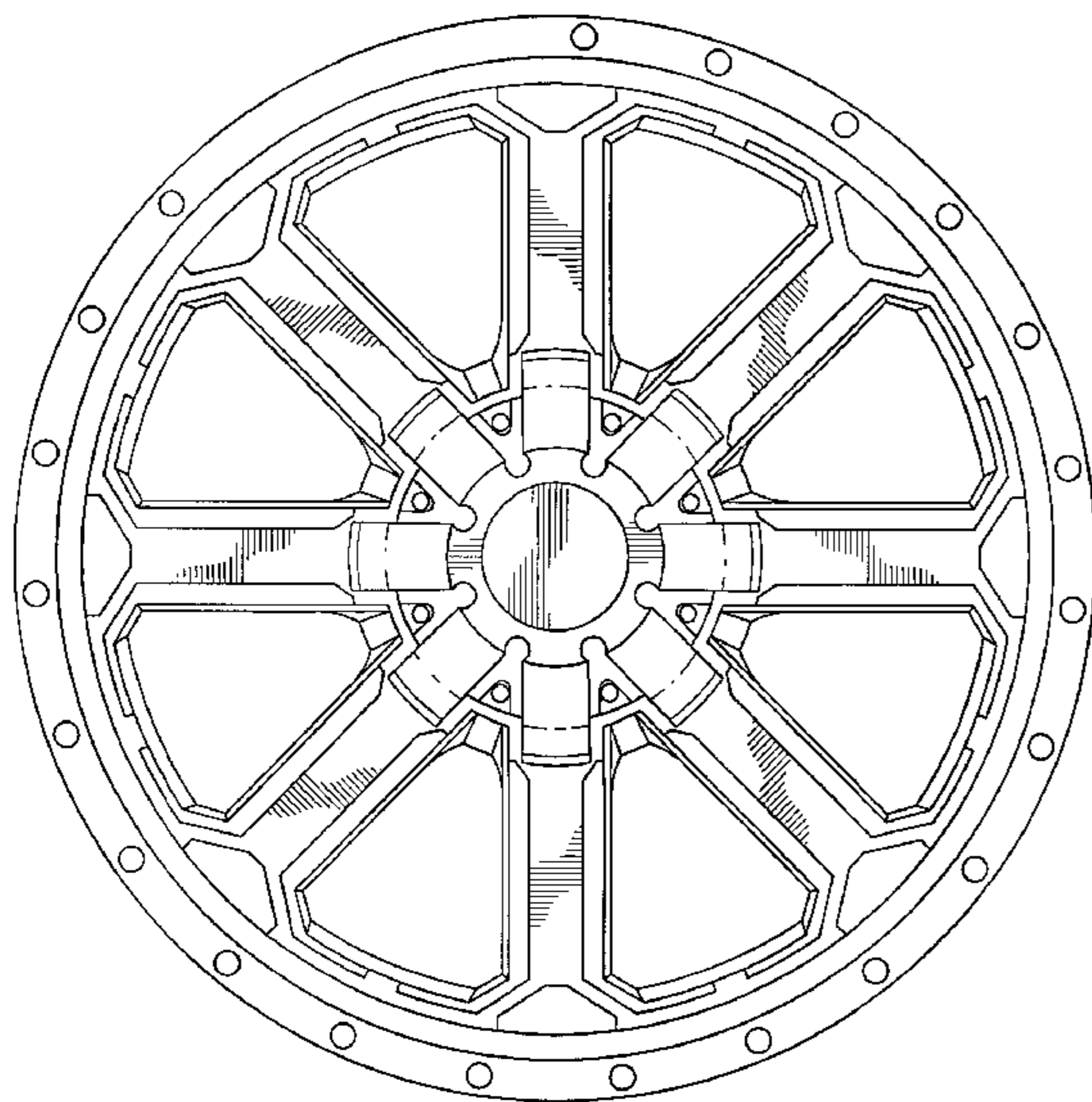
I claim the ornamental design for an automobile wheel, as shown and described.

DESCRIPTION

FIG. 1 is a front elevational view of an automobile wheel according to the claimed design; and, FIG. 2 is perspective view of an automobile wheel according to the claimed design.

The ornamental design which is claimed is shown in solid lines in the drawings. The broken lines in the drawings are for illustrative purposes only and form no part of the claimed design.

1 Claim, 2 Drawing Sheets



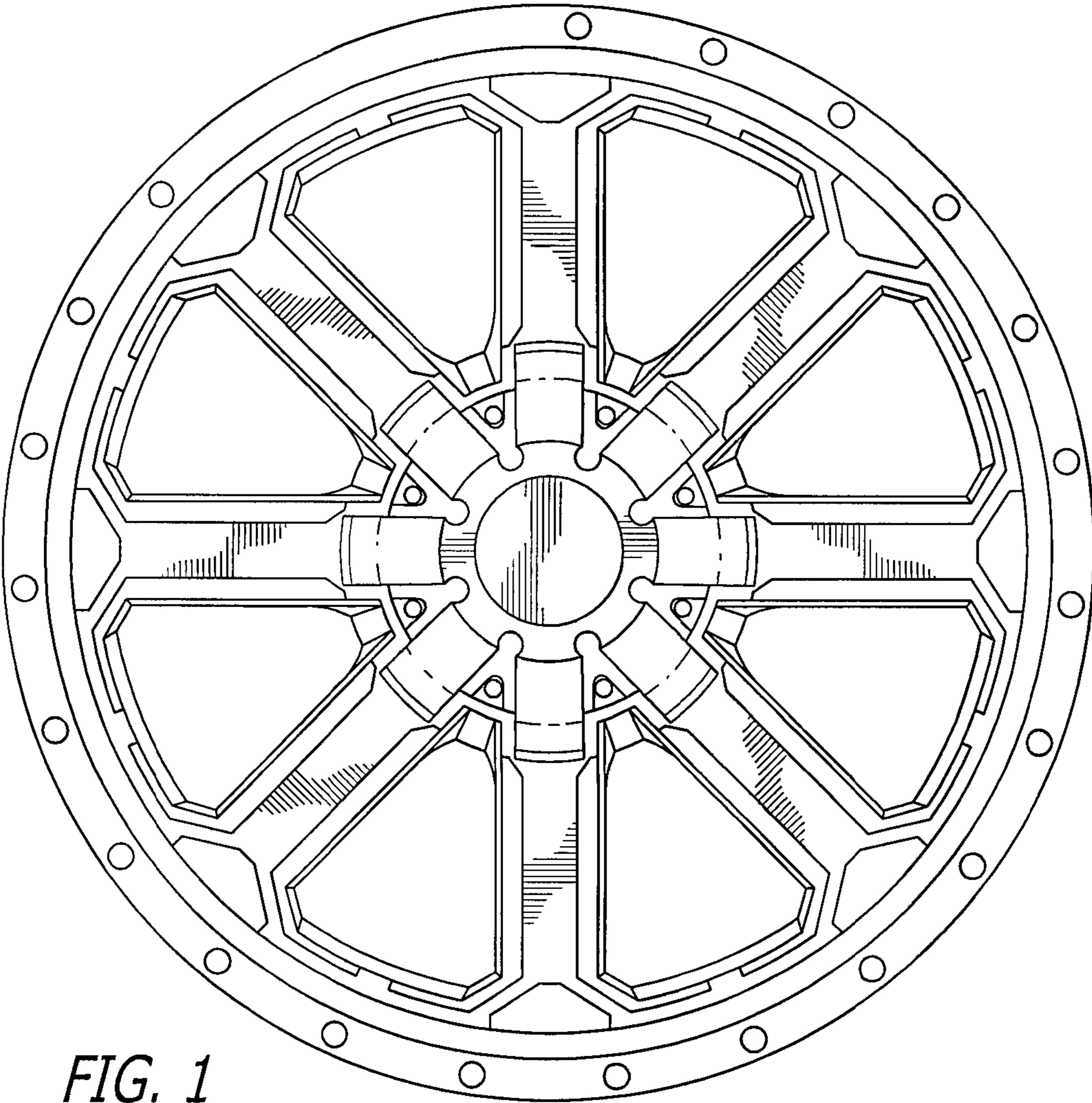


FIG. 1

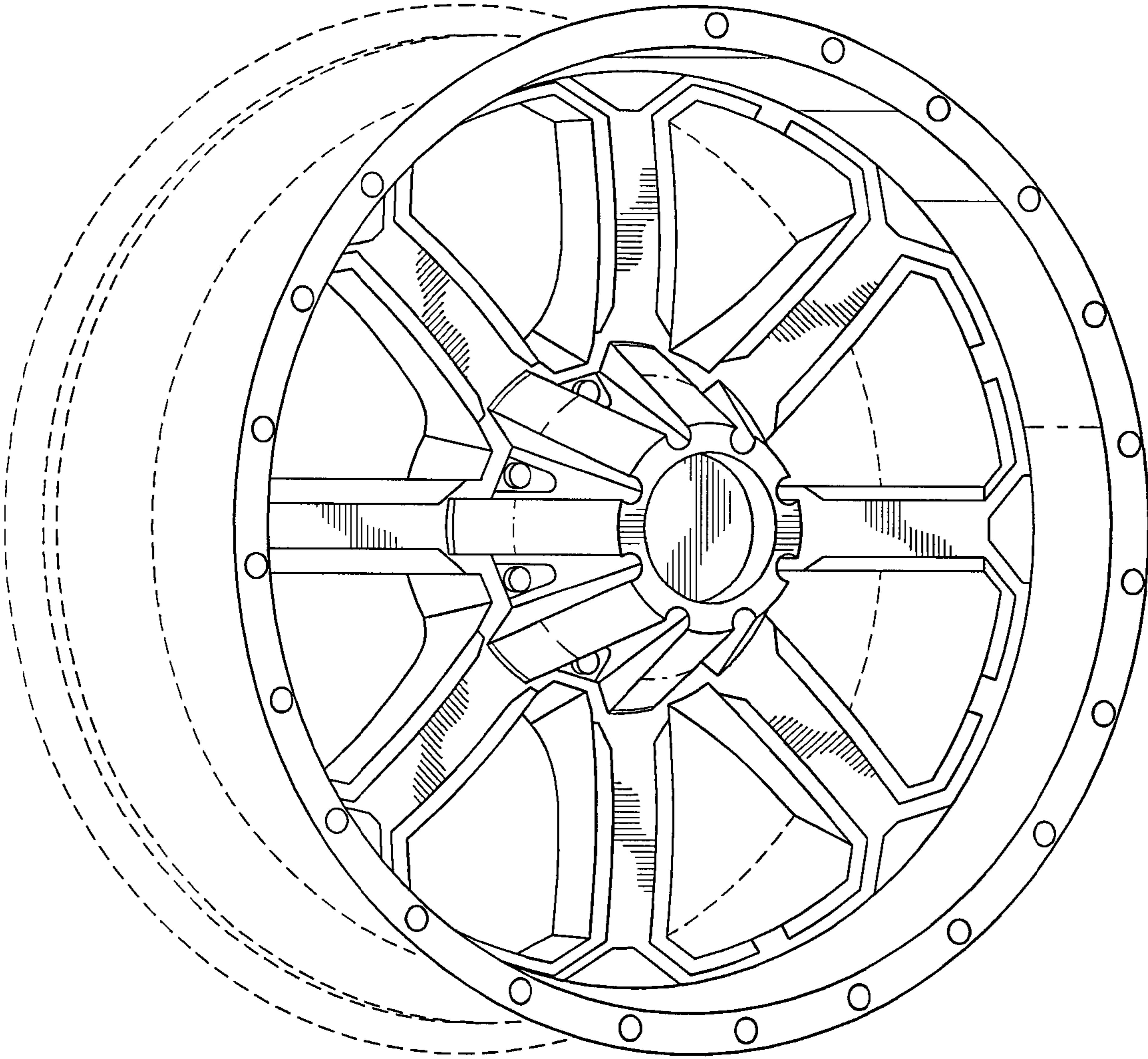


FIG. 2