



US00D699171S

(12) **United States Design Patent**
Matsuo

(10) **Patent No.:** **US D699,171 S**
(45) **Date of Patent:** **** Feb. 11, 2014**

(54) **INSTRUMENT PANEL FOR AUTOMOBILE**

(75) Inventor: **Toshiya Matsuo**, Kanagawa-ken (JP)

(73) Assignee: **Nissan Jidosha Kabushiki Kaisha**,
Kanagawa (JP)

(**) Term: **14 Years**

(21) Appl. No.: **29/414,180**

(22) Filed: **Feb. 24, 2012**

(30) **Foreign Application Priority Data**

Feb. 1, 2012 (JP) 2012-001995

(51) **LOC (10) Cl.** **12-16**

(52) **U.S. Cl.**
USPC **D12/192**

(58) **Field of Classification Search**
USPC D12/192, 415, 110, 114; 180/90;
280/750-752; 296/190.01-190.09,
296/191, 70; D15/17, 28; D10/46, 98,
D10/102-103, 122-127
See application file for complete search history.

(56) **References Cited**

U.S. PATENT DOCUMENTS

D469,391 S * 1/2003 Pfeiffer et al. D12/192
D470,809 S * 2/2003 Asahi et al. D12/192
D489,301 S * 5/2004 Okonkwo D12/192
D501,811 S * 2/2005 Fukuda et al. D12/192
D533,492 S * 12/2006 Maezono et al. D12/192

D534,357 S * 1/2007 Davis D5/47
D539,714 S * 4/2007 Toyama et al. D12/192
D569,317 S * 5/2008 Schowalter D12/192
D598,353 S * 8/2009 Dai et al. D12/192
D622,195 S * 8/2010 Lester D12/192
D637,540 S * 5/2011 Ali et al. D12/192
D658,554 S * 5/2012 Tasaki et al. D12/192
2009/0008956 A1 * 1/2009 Scheib et al. 296/70

* cited by examiner

Primary Examiner — Katrina A Betton

(74) *Attorney, Agent, or Firm* — Fross Zelnick Lehman &
Zissu, P.C.; Lawrence E. Apolzon, Esq.

(57) **CLAIM**

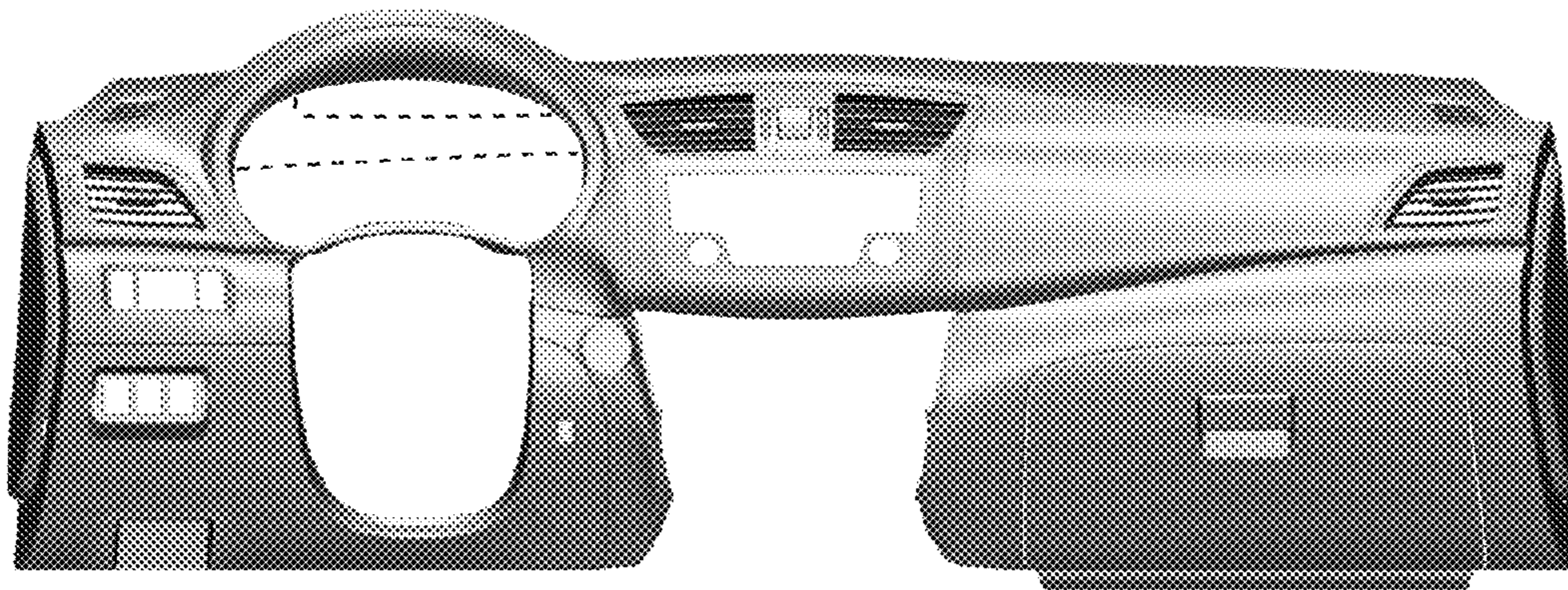
The ornamental design for an instrument panel for automobile, as shown and as described.

DESCRIPTION

FIG. 1 is a perspective view of an instrumental panel for automobile showing my new design;
FIG. 2 is a perspective view thereof;
FIG. 3 is a front view thereof;
FIG. 4 is a left side view thereof;
FIG. 5 is a right side view thereof;
FIG. 6 is a top view thereof; and,
FIG. 7 is a bottom view thereof.

The broken lines shown in FIGS. 2, 3, 6, and 7 are included for purposes of illustrating portions of the rear of the instrument panel for automobile and form no part of the claimed design.

1 Claim, 3 Drawing Sheets



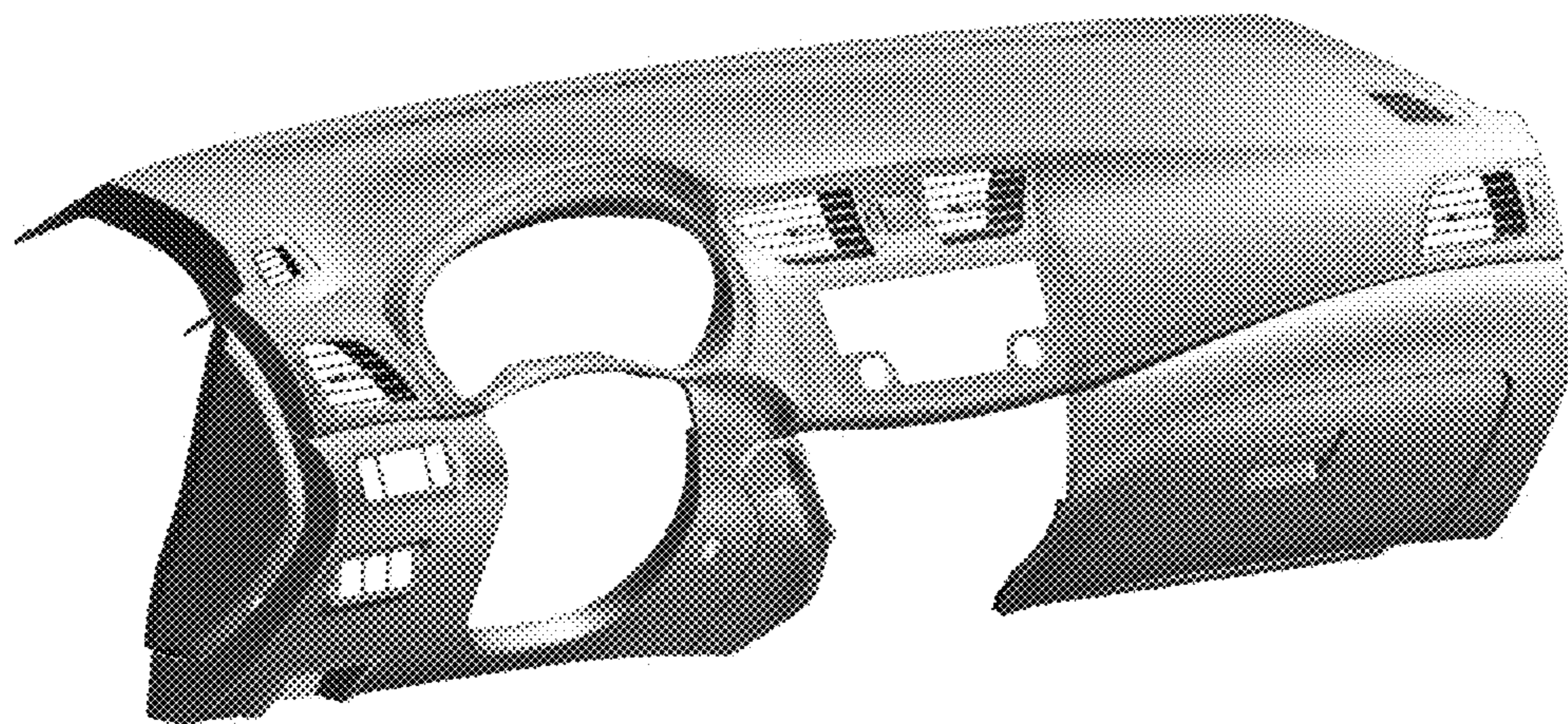


FIG. 1

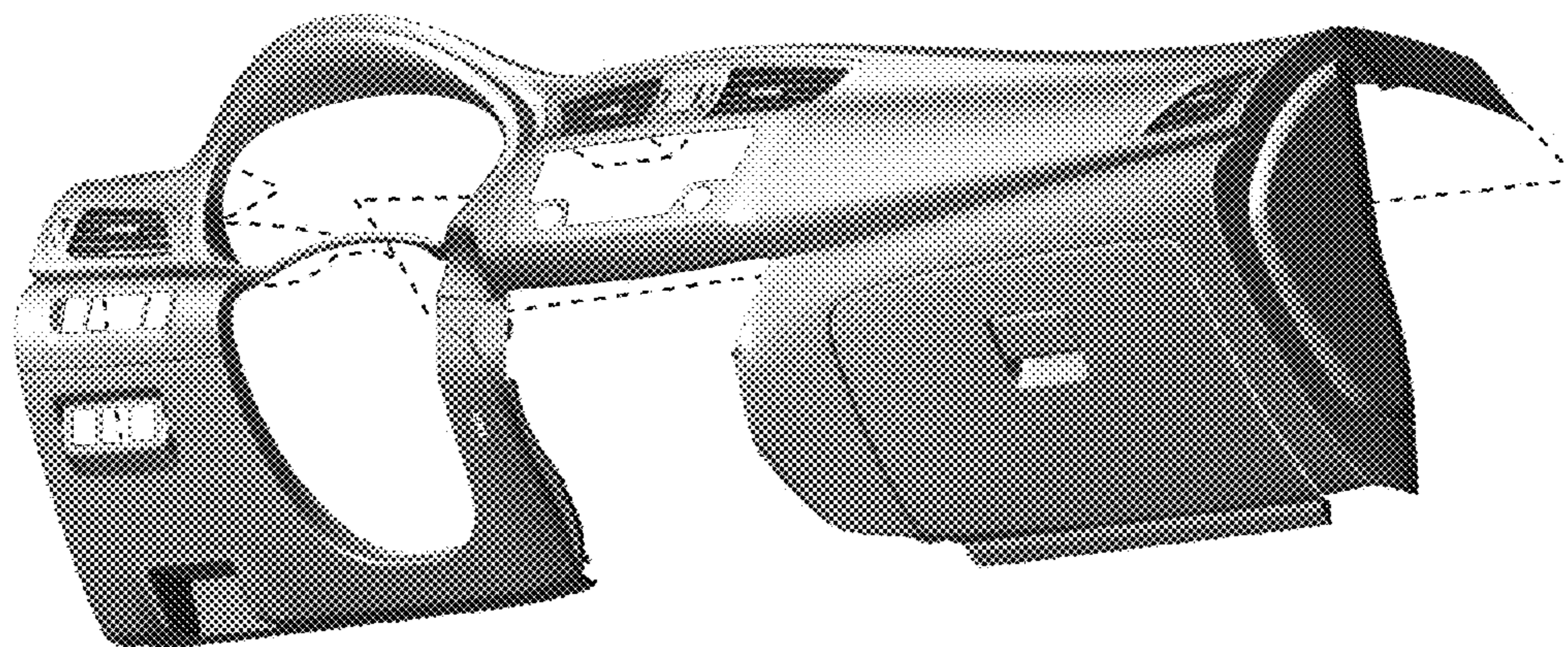


FIG. 2

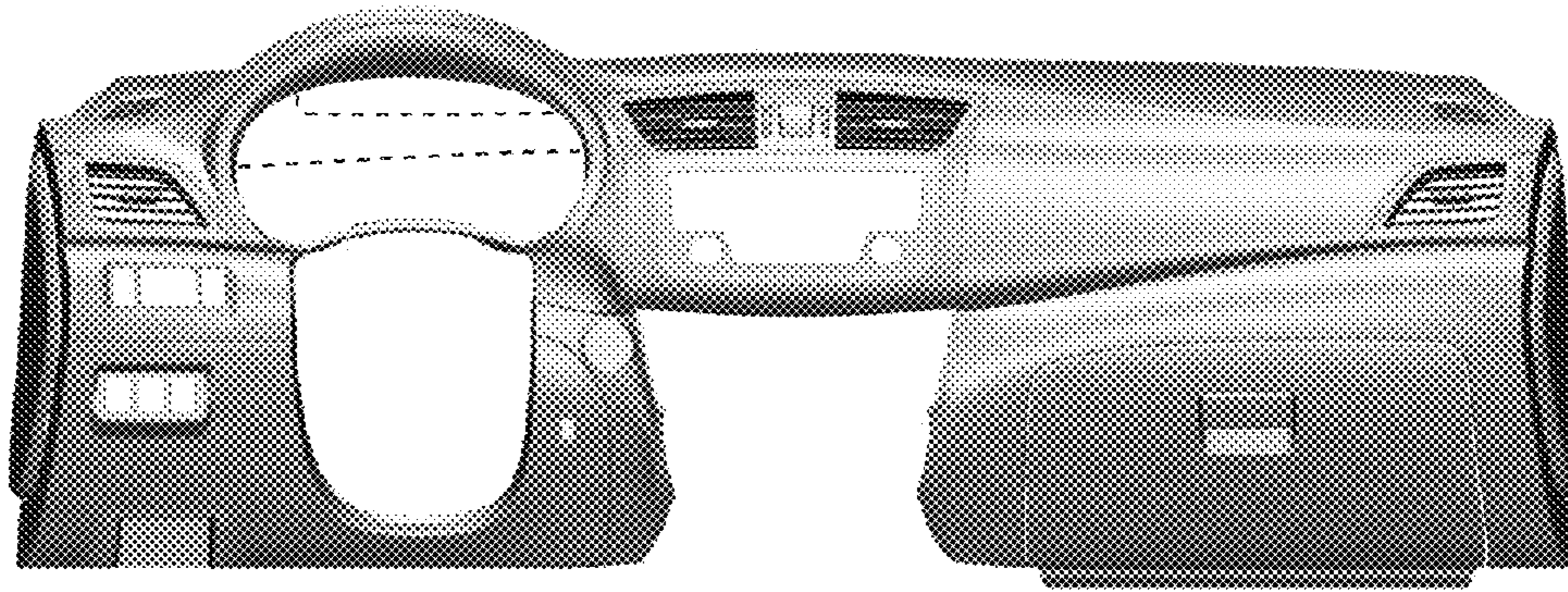


FIG. 3

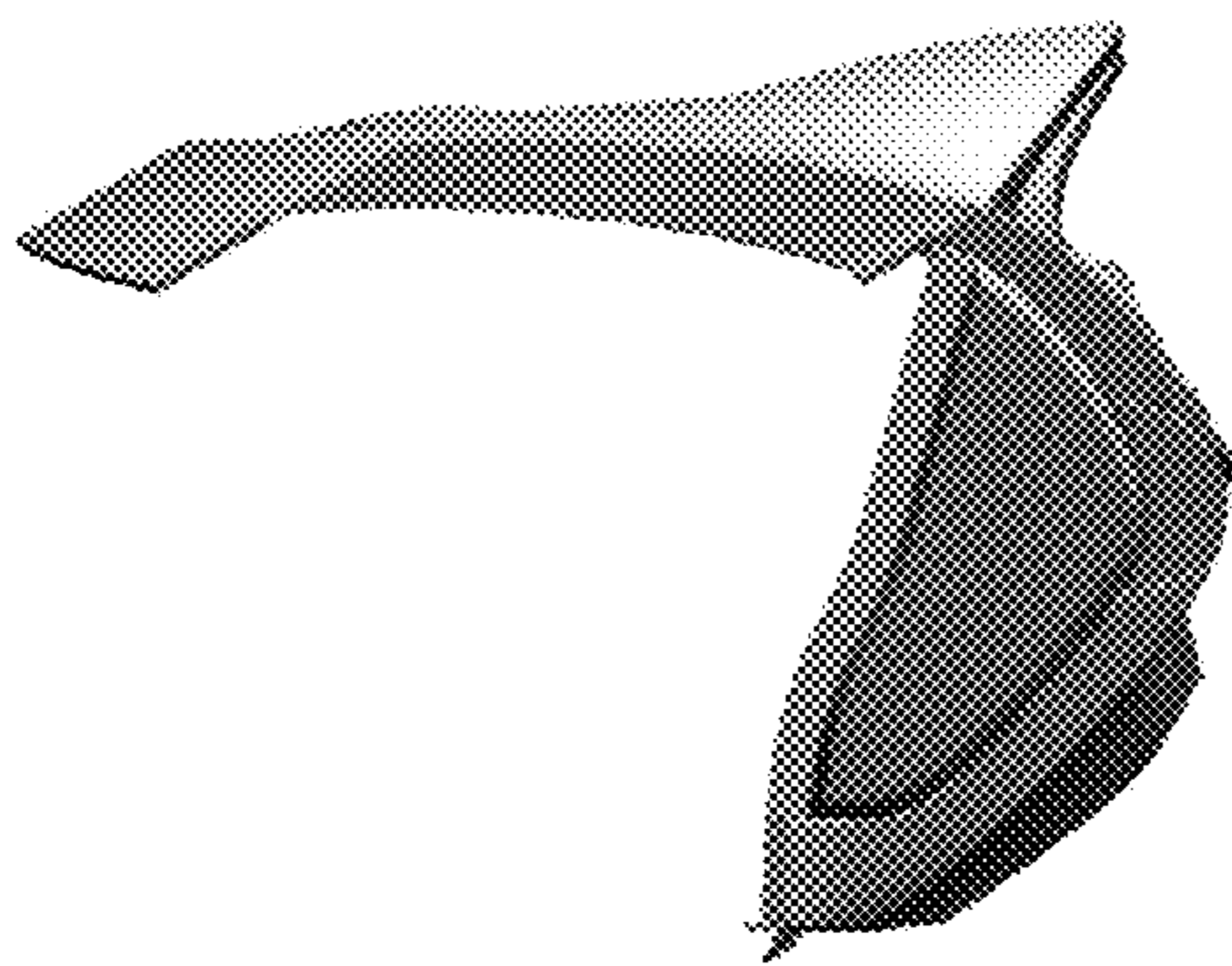


FIG. 4

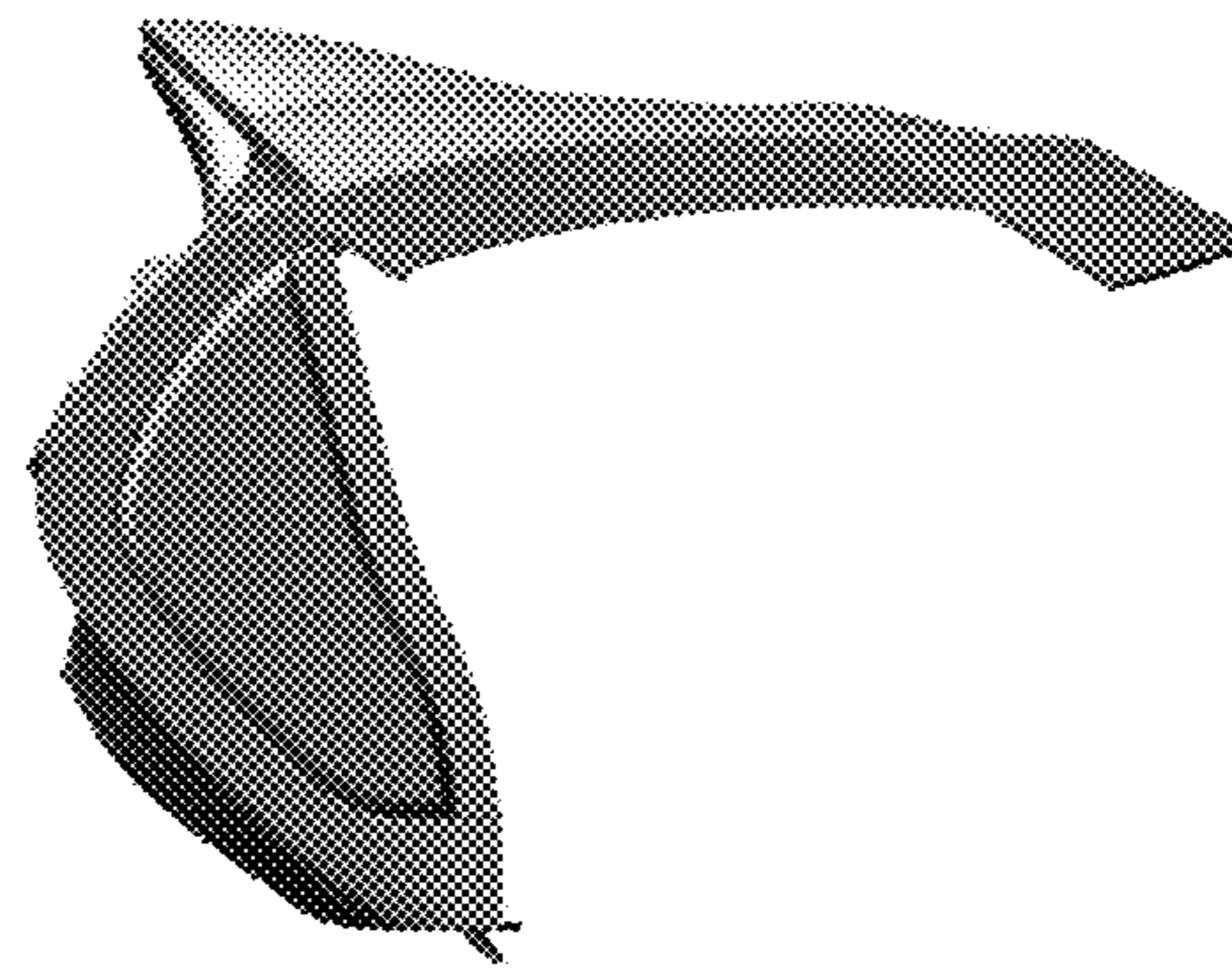


FIG. 5

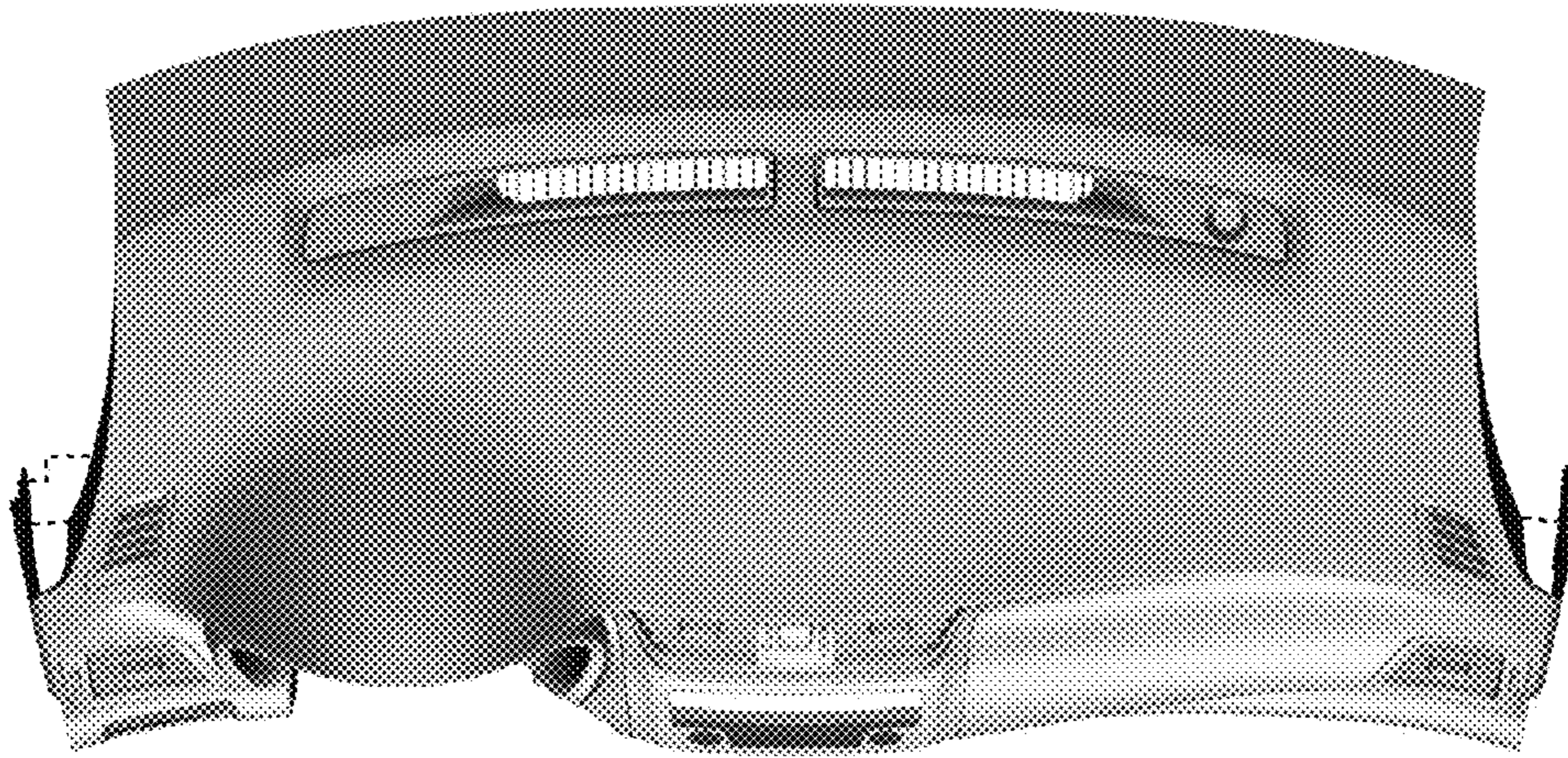


FIG. 6

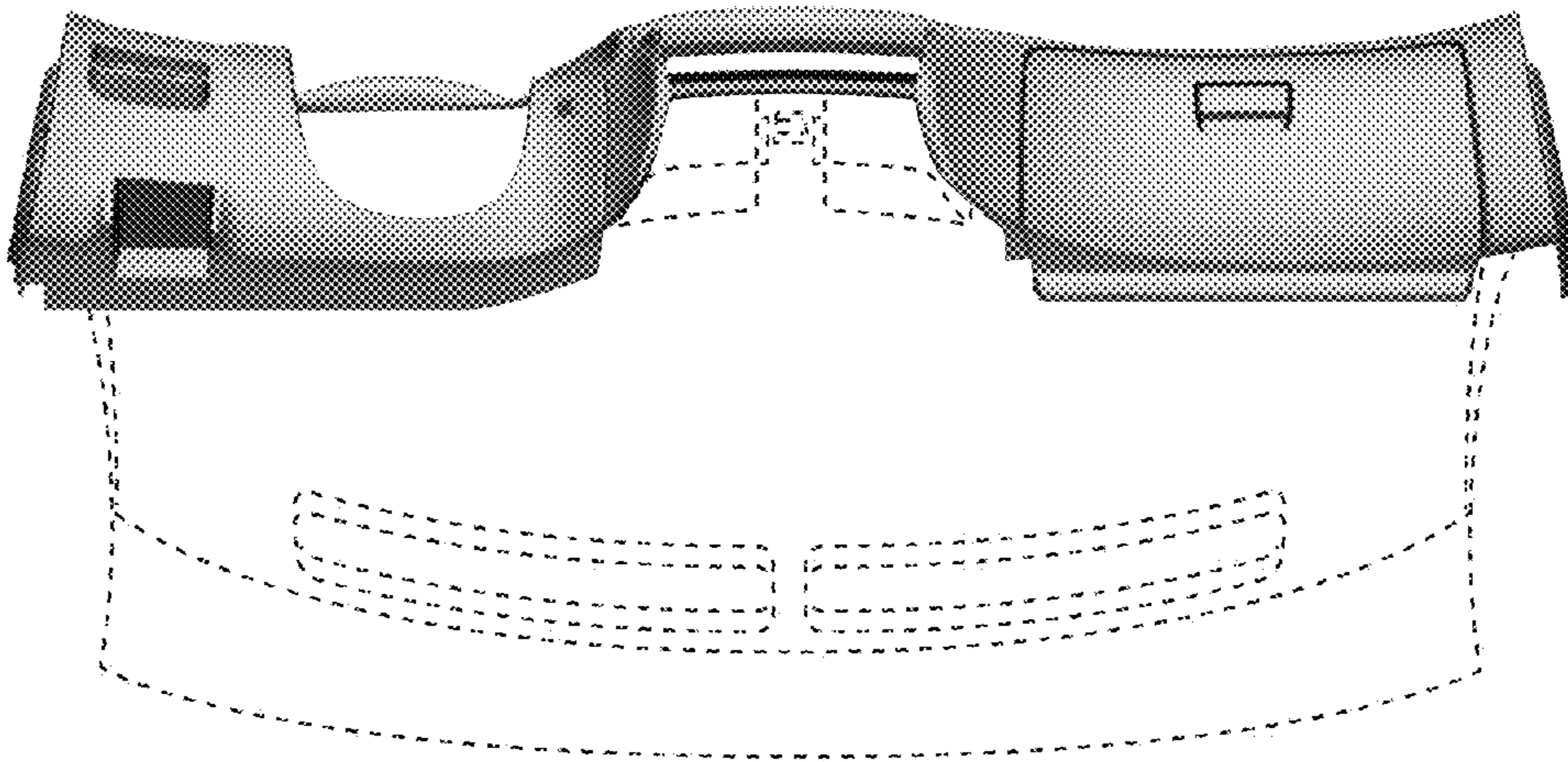


FIG. 7