



US00D699169S

(12) **United States Design Patent**
Waclawski et al.

(10) **Patent No.:** **US D699,169 S**

(45) **Date of Patent:** **** Feb. 11, 2014**

(54) **FENDER FOR AN AUTOMOTIVE VEHICLE**

(75) Inventors: **Michael J. Waclawski**, Renton, WA
(US); **Jason G. Robson**, Bothell, WA
(US)

(73) Assignee: **Modern Classic Enterprises, LLC**,
Bothell, WA (US)

(**) Term: **14 Years**

(21) Appl. No.: **29/424,256**

(22) Filed: **Jun. 8, 2012**

(51) **LOC (10) Cl.** **12-16**

(52) **U.S. Cl.**

USPC **D12/184**

(58) **Field of Classification Search**

USPC D12/68, 101, 102, 106, 181, 184, 190,
D12/191, 196; 280/414.1, 414.2, 414.3,
280/727, 770, 847, 848, 849; 296/91,
296/180.1-180.5; 180/903

See application file for complete search history.

(56) **References Cited**

U.S. PATENT DOCUMENTS

D340,214 S *	10/1993	Lawrence	D12/184
D491,858 S *	6/2004	Velazco	D12/196
D546,253 S *	7/2007	Lee et al.	D12/184
D549,624 S *	8/2007	Jones	D12/184
D591,656 S *	5/2009	Golden et al.	D12/184
D612,308 S *	3/2010	Beigel et al.	D12/181

D612,309 S *	3/2010	Beigel et al.	D12/184
D615,472 S *	5/2010	Maher et al.	D12/196
D623,103 S *	9/2010	Braga	D12/181
D641,298 S *	7/2011	Beigel et al.	D12/181
D644,581 S *	9/2011	Beigel et al.	D12/181
D644,972 S *	9/2011	Beigel et al.	D12/181
D654,417 S *	2/2012	Peltola et al.	D12/196

* cited by examiner

Primary Examiner — Philip S Hyder

Assistant Examiner — Darlington Ly

(74) *Attorney, Agent, or Firm* — Lawrence E. Laubscher, Sr.;
Lawrence E. Laubscher, Jr.

(57) **CLAIM**

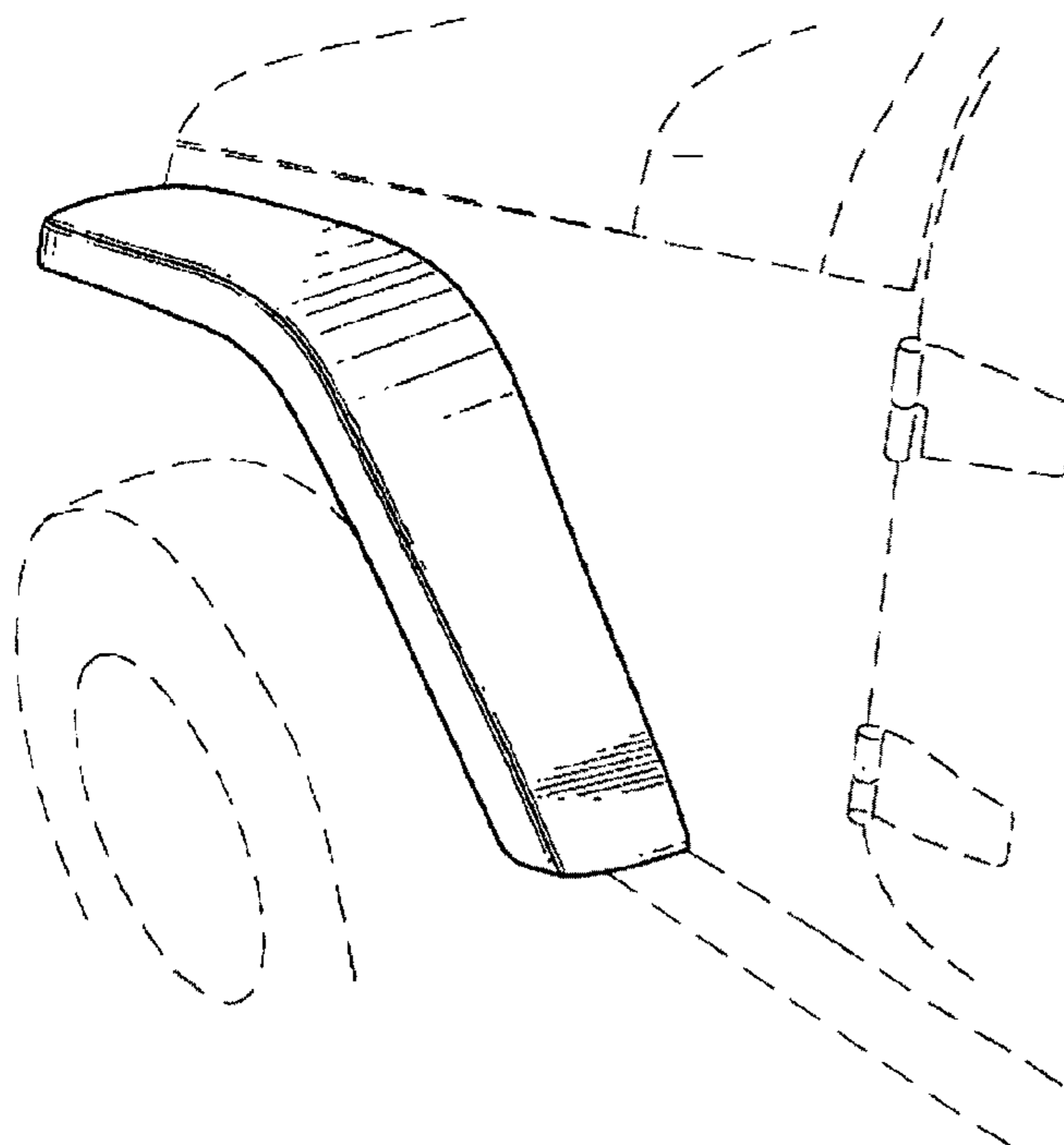
The ornamental design for a fender for an automotive vehicle,
as shown.

DESCRIPTION

FIG. 1 is a front perspective view of the fender for an auto-
motive vehicle;
FIG. 2 is a rear perspective view thereof;
FIG. 3 is a top plan view thereof;
FIG. 4 is a bottom plan view thereof;
FIG. 5 is a left side elevation view thereof;
FIG. 6 is a rear elevation view thereof;
FIG. 7 is a right side elevation view thereof; and,
FIG. 8 is a front elevation view thereof.

The broken lines shown in the drawings illustrate environ-
mental structure for the fender for an automotive vehicle that
forms no part of the claimed design.

1 Claim, 4 Drawing Sheets



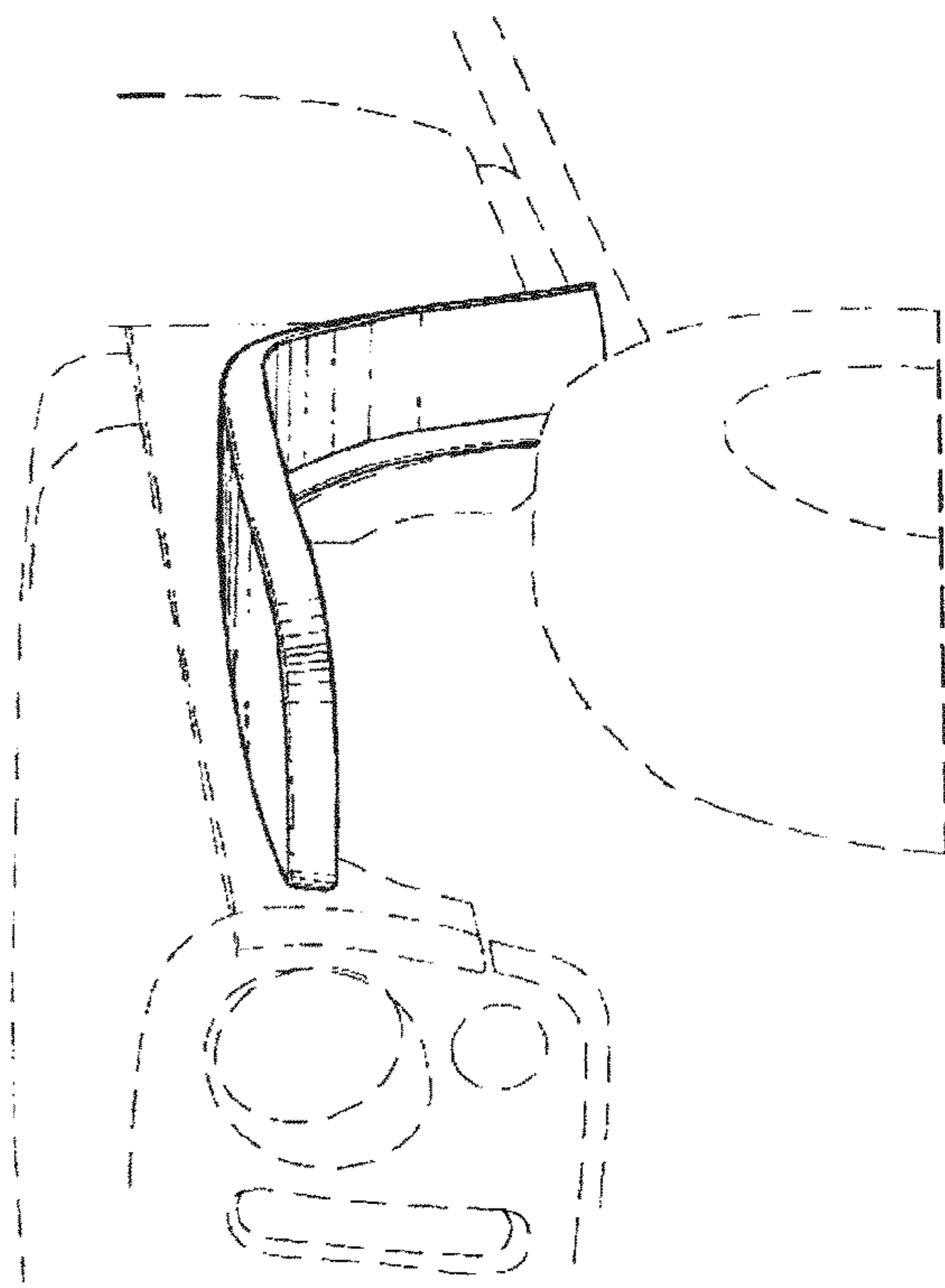


FIG. 1

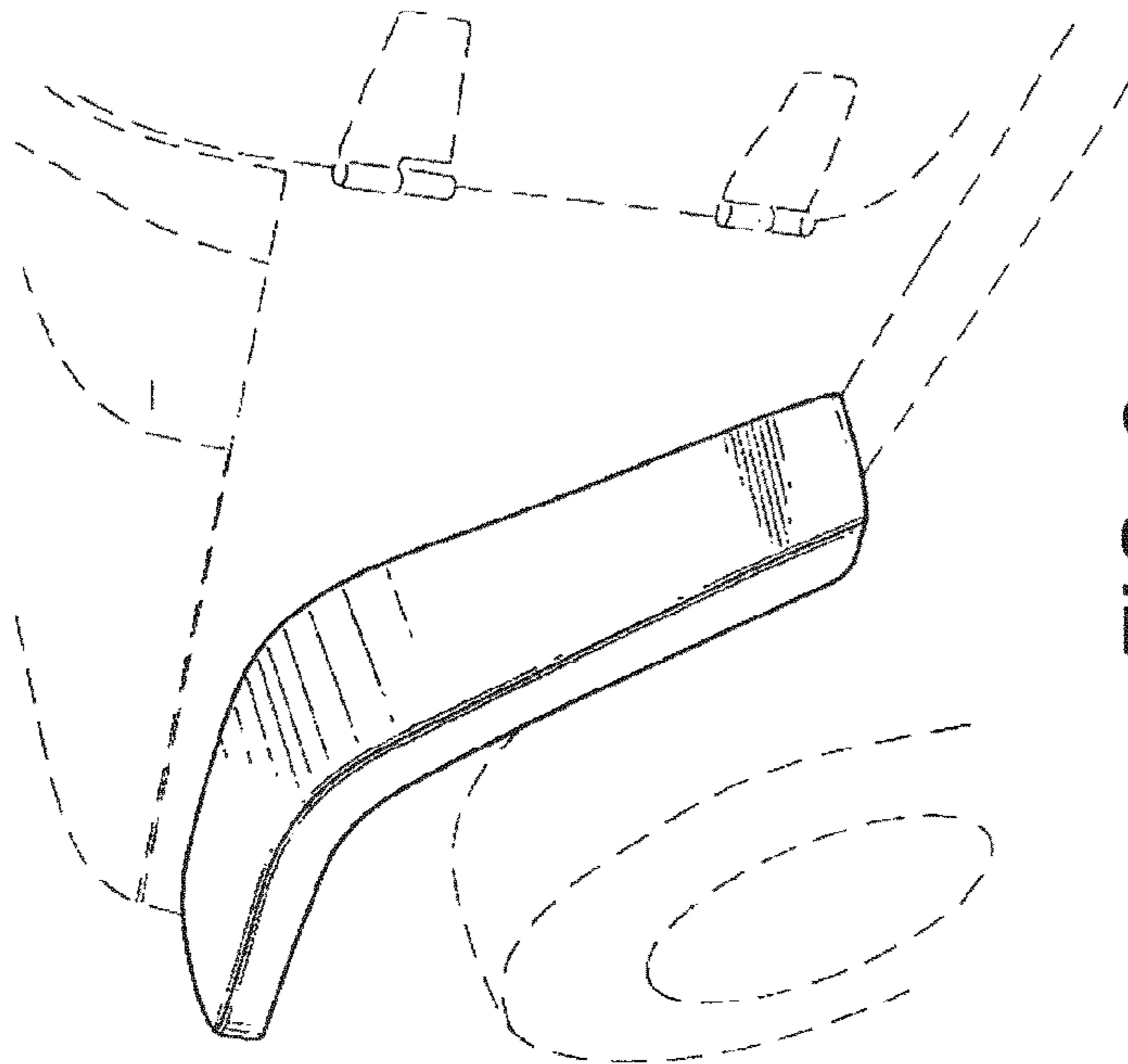


FIG. 2

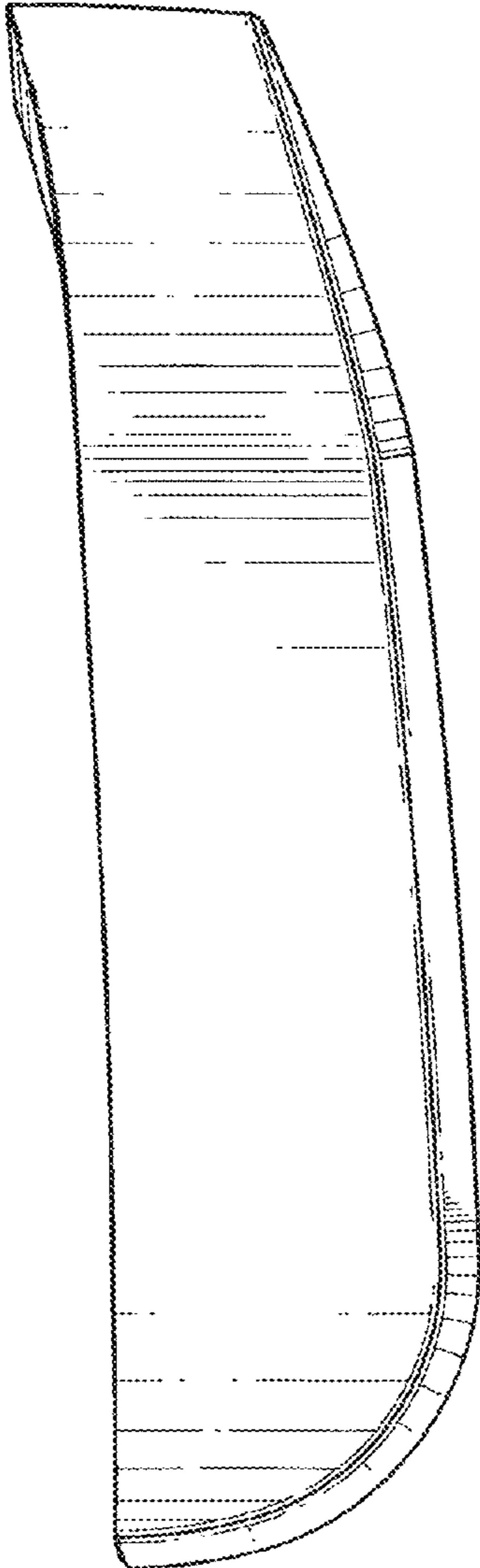


FIG. 3

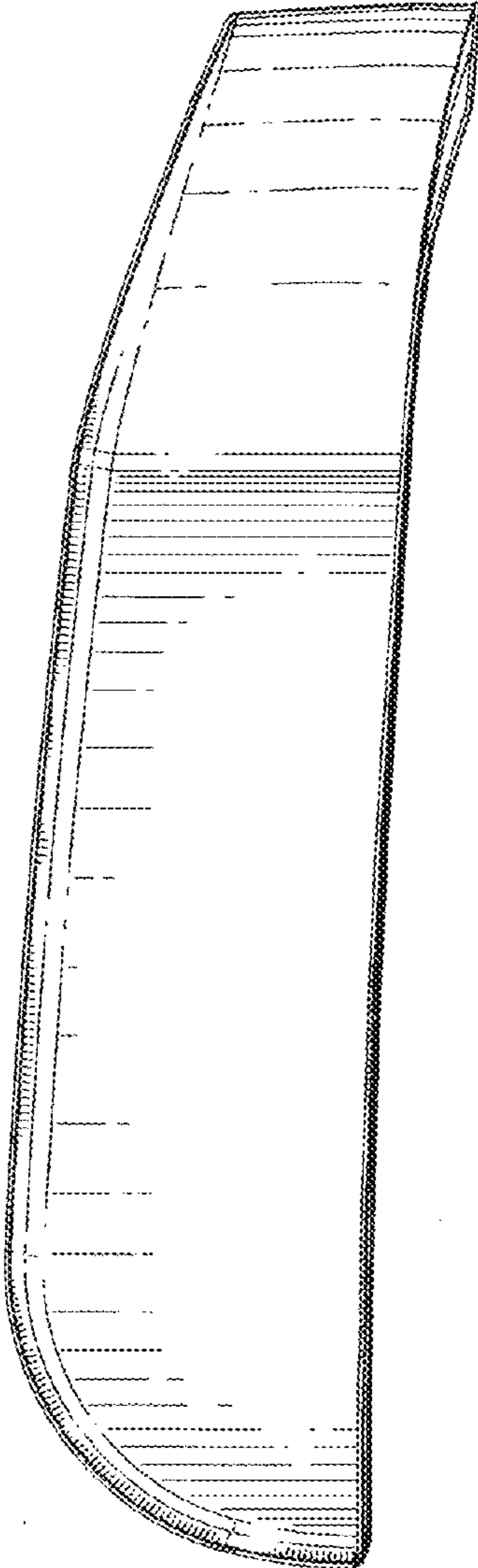


FIG. 4

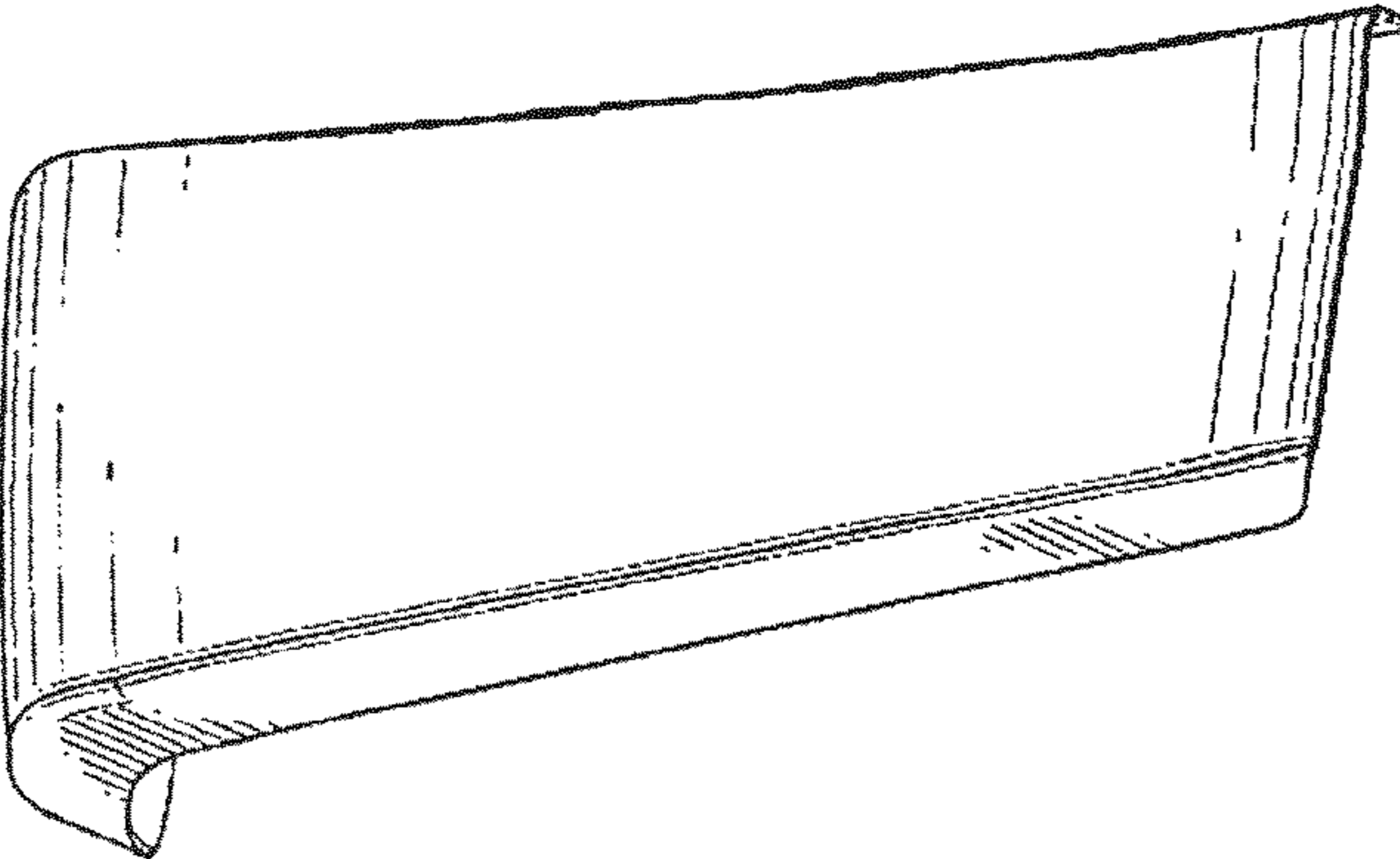


FIG. 6

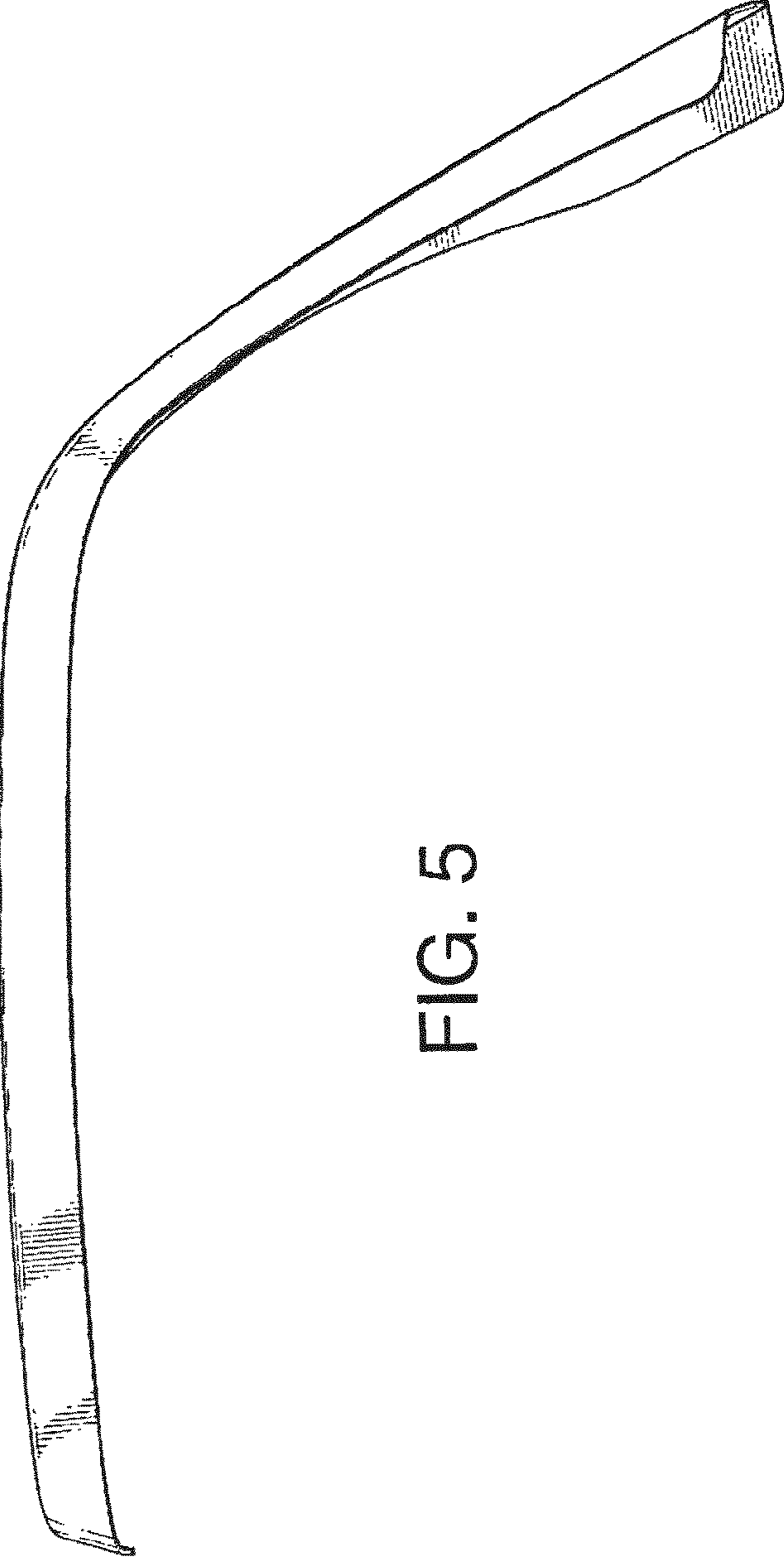


FIG. 5

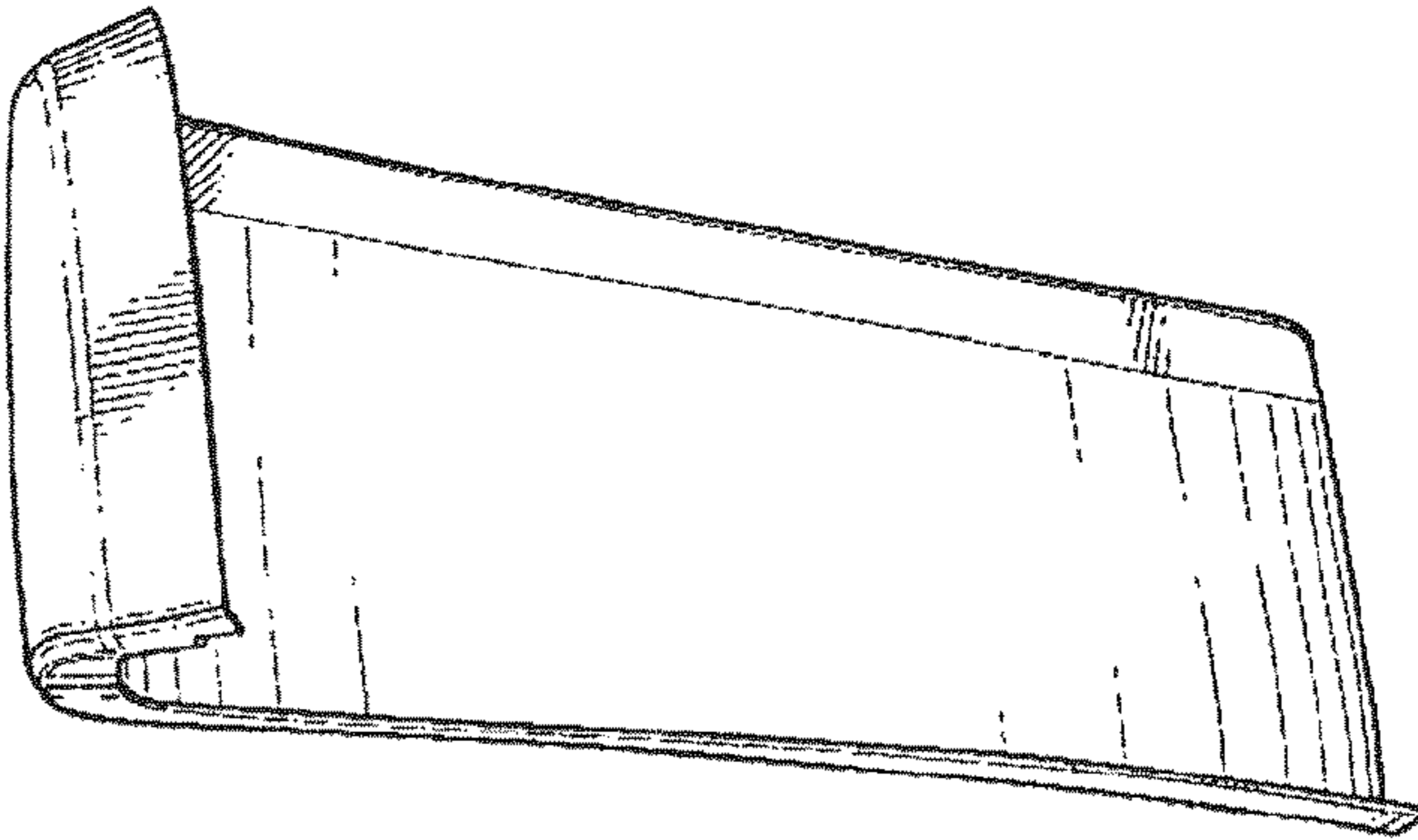


FIG. 8

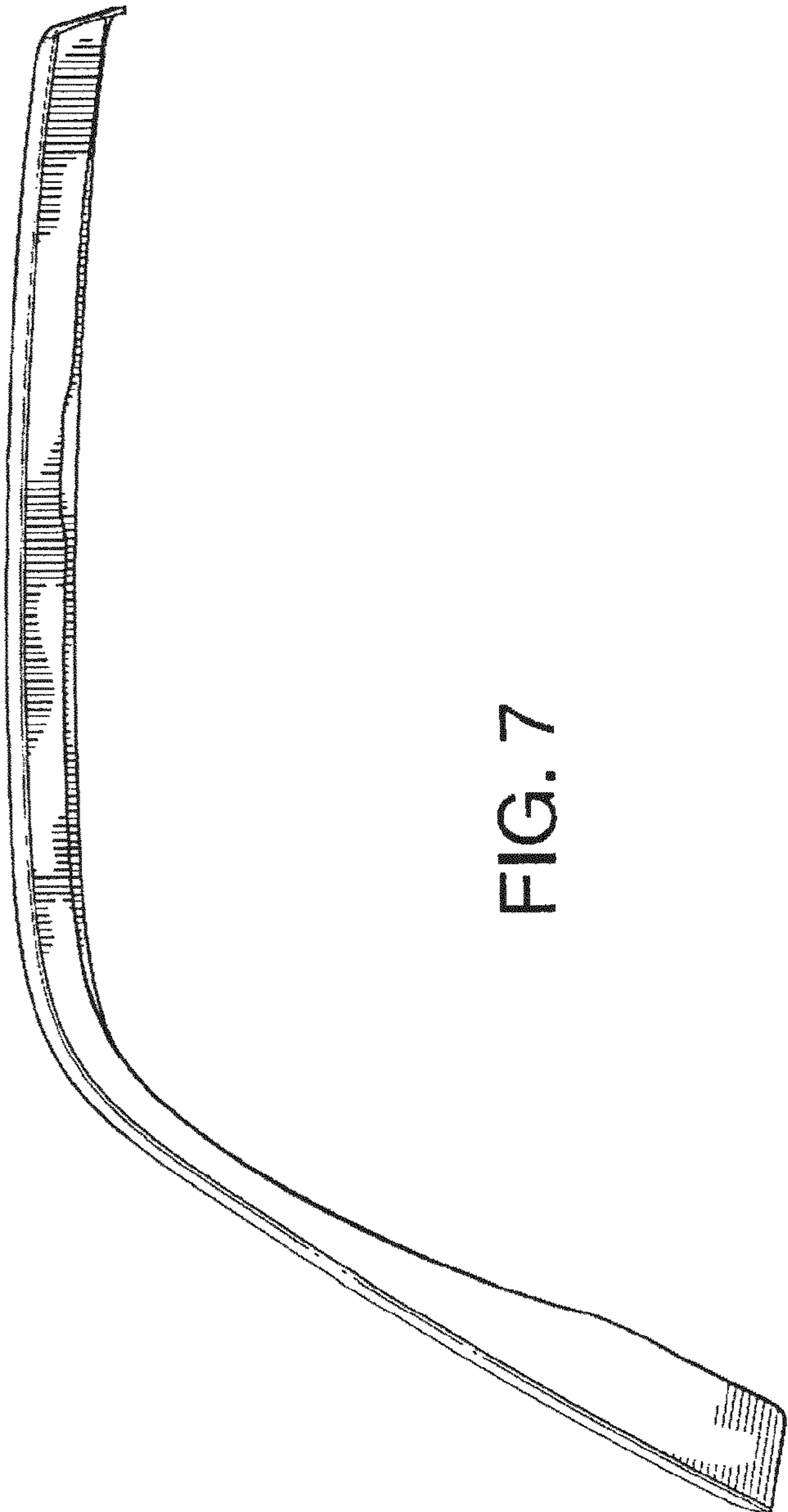


FIG. 7