

US00D699163S

(12) **United States Design Patent**  
**Janssen et al.**

(10) **Patent No.:** **US D699,163 S**

(45) **Date of Patent:** **\*\* Feb. 11, 2014**

(54) **FRONT PORTION OF A VEHICLE, TOY,  
AND/OR REPLICAS THEREOF**

(75) Inventors: **Bertrand Janssen**, Stuttgart (DE); **Kai Sieber**, Stuttgart (DE)

(73) Assignee: **Daimler AG**, Stuttgart (DE)

(\*\*) Term: **14 Years**

(21) Appl. No.: **29/431,772**

(22) Filed: **Sep. 11, 2012**

(30) **Foreign Application Priority Data**

Mar. 12, 2012 (EM) ..... 002006569-0004

(51) **LOC (10) Cl.** ..... **12-16**

(52) **U.S. Cl.**  
USPC ..... **D12/164**

(58) **Field of Classification Search**  
USPC ..... D12/86, 90-92, 164, 196; D21/424,  
D21/433, 434; 296/181.1, 181.5

See application file for complete search history.

(56) **References Cited**

U.S. PATENT DOCUMENTS

D650,312 S *	12/2011	Fetherston et al. ....	D12/164
D658,552 S *	5/2012	Fetherston et al. ....	D12/164
D671,044 S *	11/2012	Fetherston et al. ....	D12/164
D680,035 S *	4/2013	Fetherston et al. ....	D12/164

FOREIGN PATENT DOCUMENTS

WO	DM/078144	4/2012
WO	DM/078178	4/2012

\* cited by examiner

*Primary Examiner* — Melody Brown

(74) *Attorney, Agent, or Firm* — Crowell & Moring LLP

(57) **CLAIM**

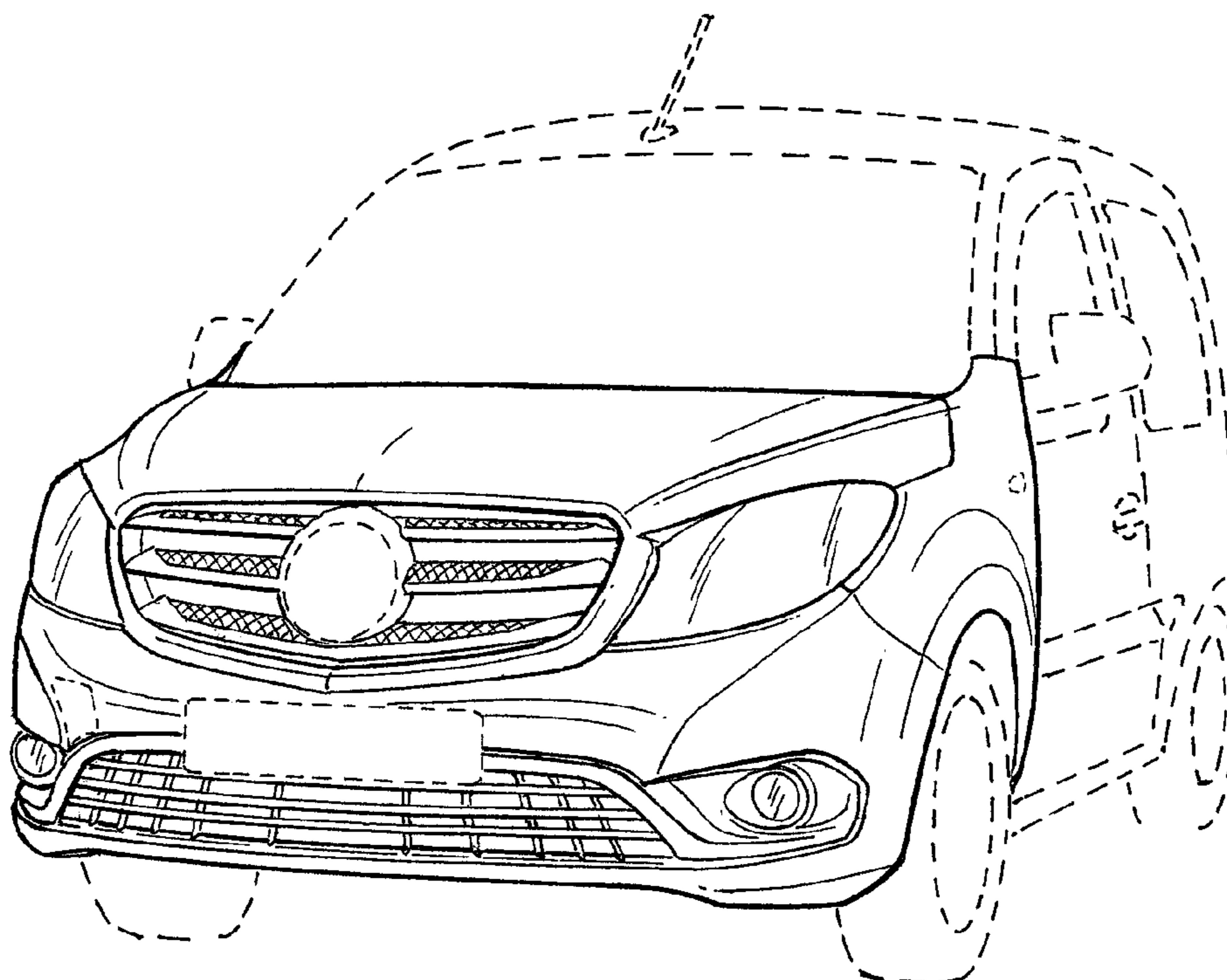
The ornamental design for a front portion of a vehicle, toy, and/or replicas thereof, as shown and described.

**DESCRIPTION**

FIG. 1 is a left front perspective view of a front portion of a vehicle, toy, and/or replicas thereof according to our design; FIG. 2 is an elevated, left front perspective view thereof; FIG. 3 is a front view thereof; and, FIG. 4 is a left side view thereof, the right side view being mirror symmetrical.

The broken lines are for illustrative purposes only and form no part of the claimed design.

**1 Claim, 4 Drawing Sheets**



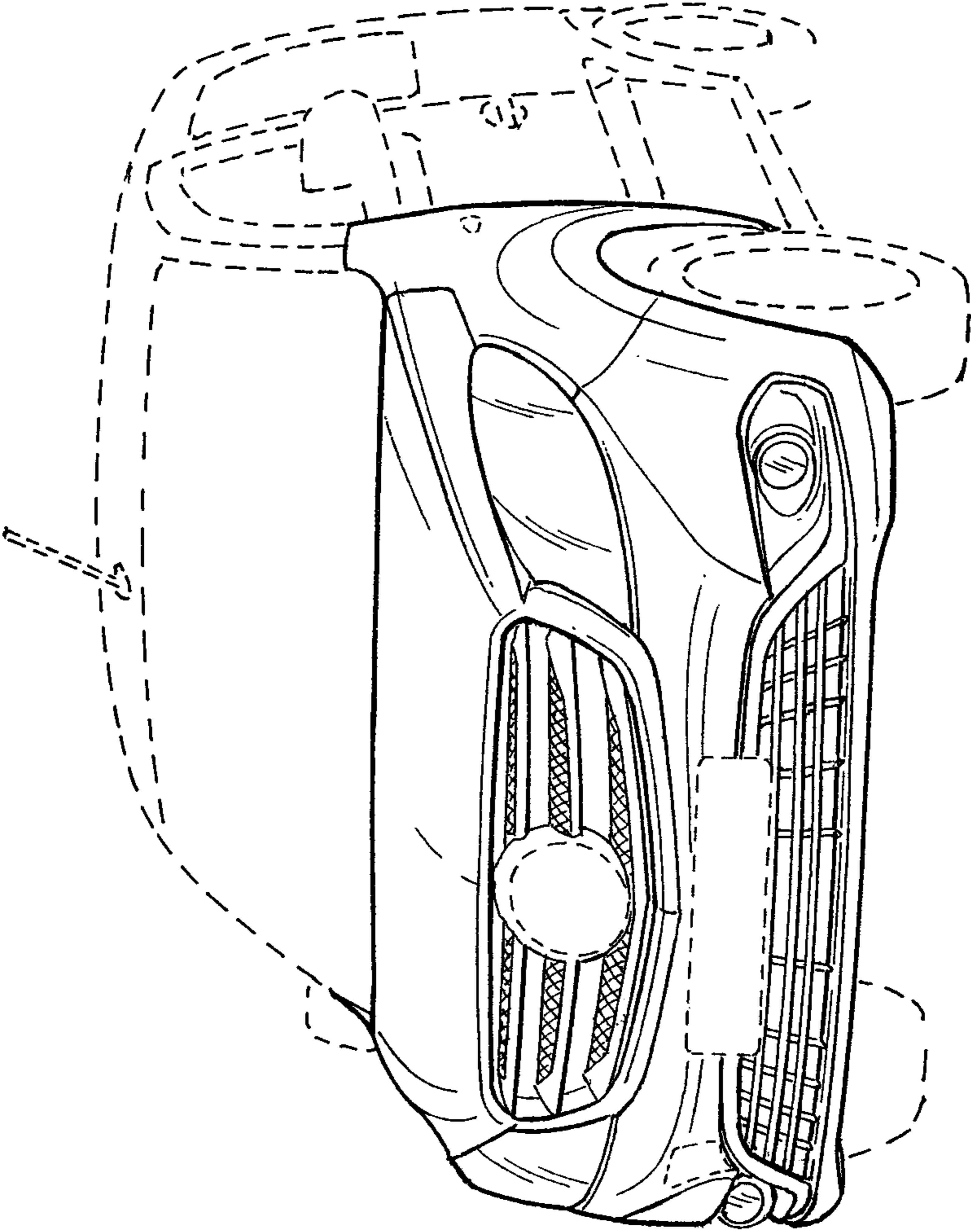


FIG. 1

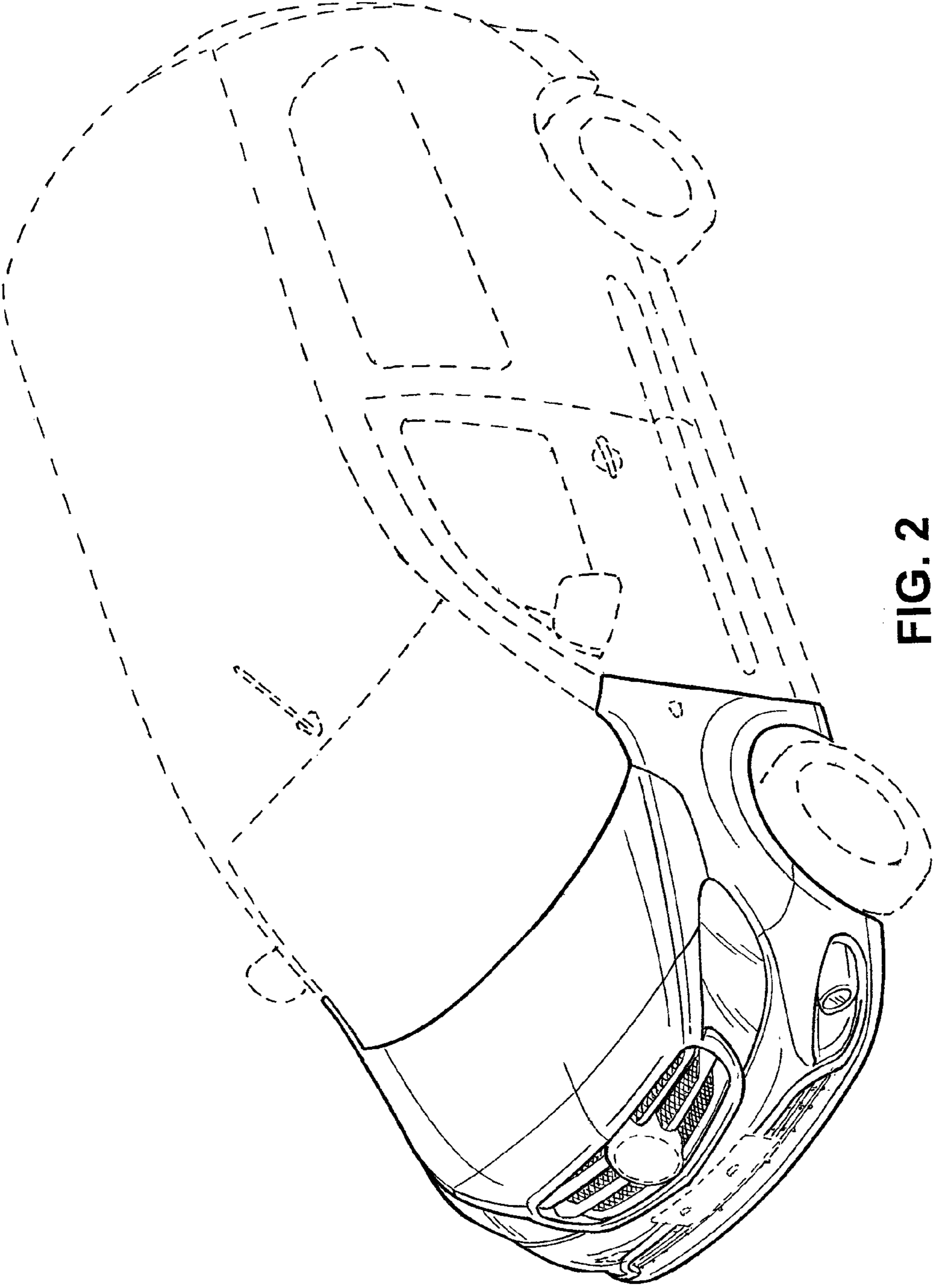


FIG. 2

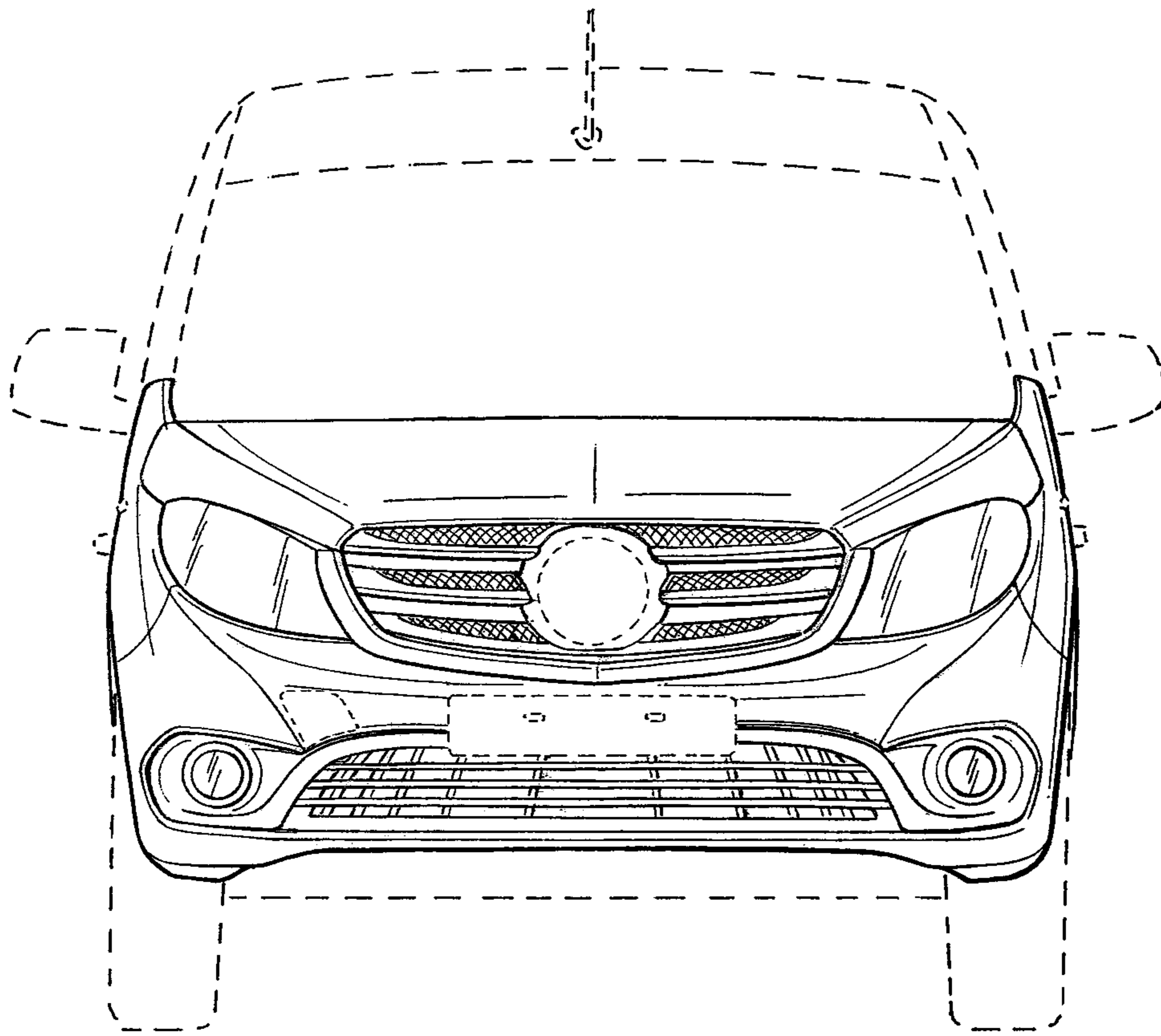


FIG. 3

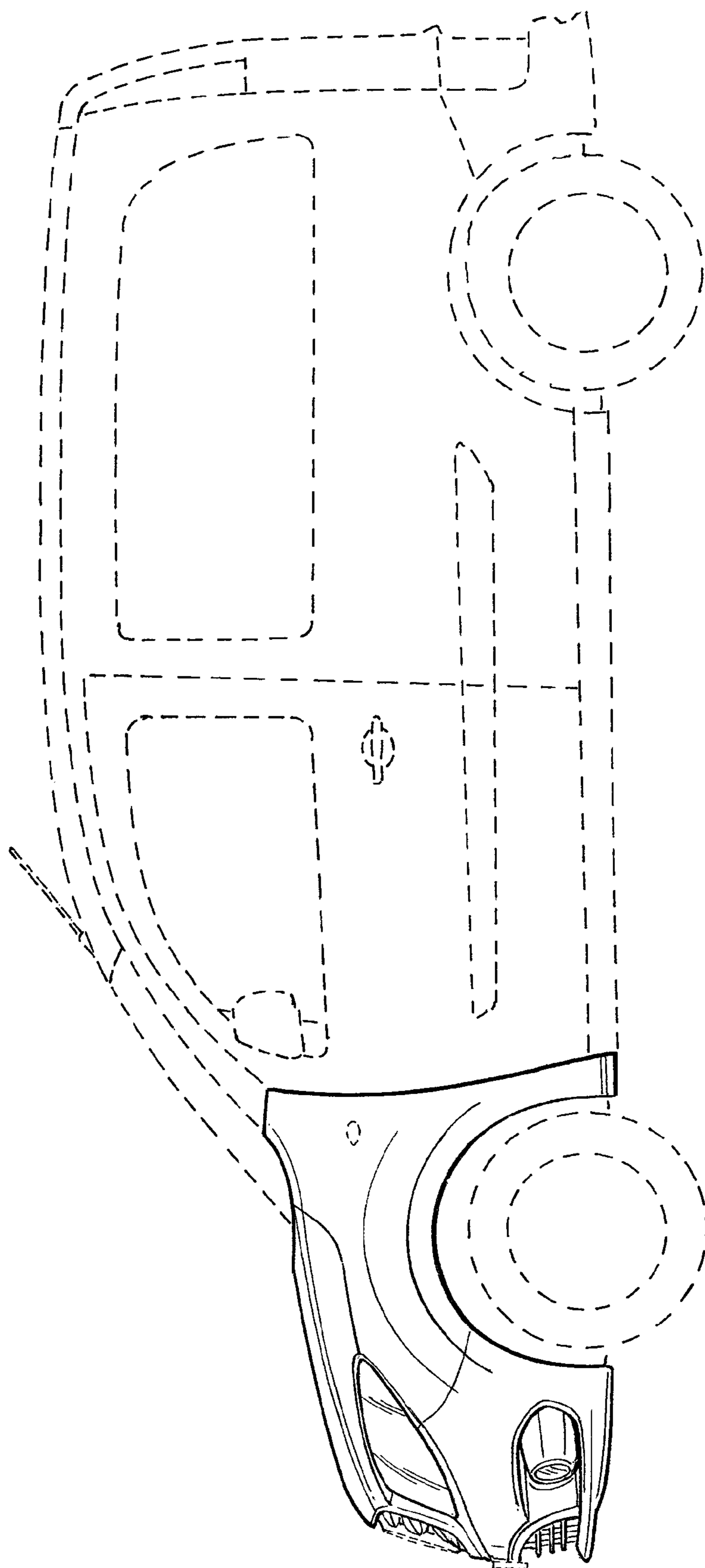


FIG. 4