



US00D699161S

(12) **United States Design Patent**
Yang

(10) **Patent No.:** **US D699,161 S**

(45) **Date of Patent:** **** Feb. 11, 2014**

(54) **WHEELCHAIR FRAME**

(71) Applicant: **Karma Medical Products Co., Ltd.**,
Chiayi Hsien (TW)

(72) Inventor: **Chin-Chuan Yang**, Chiayi Hsien (TW)

(73) Assignee: **Karma Medical Products Co., Ltd.**,
Chiayi Hsien (TW)

(**) Term: **14 Years**

(21) Appl. No.: **29/443,588**

(22) Filed: **Jan. 18, 2013**

(51) **LOC (10) Cl.** **12-12**

(52) **U.S. Cl.**
USPC **D12/133; D12/131**

(58) **Field of Classification Search**
USPC D12/128-133; 280/62, 647-650, 29,
280/200, 47.38, 250.1, 259, 642, 658,
280/304.1; 128/99.1, 100.1, 102.1, 876,
128/877

See application file for complete search history.

(56) **References Cited**

U.S. PATENT DOCUMENTS

5,188,383 A * 2/1993 Thompson 280/250.1

D411,149 S * 6/1999 Huang D12/133
D483,304 S * 12/2003 Ford D12/133
D622,641 S * 8/2010 Chen et al. D12/131
D624,459 S * 9/2010 Jacobs et al. D12/131

* cited by examiner

Primary Examiner — Ian Simmons

Assistant Examiner — Charles Hanson

(74) *Attorney, Agent, or Firm* — Muncy, Geissler, Olds &
Lowe, PLLC

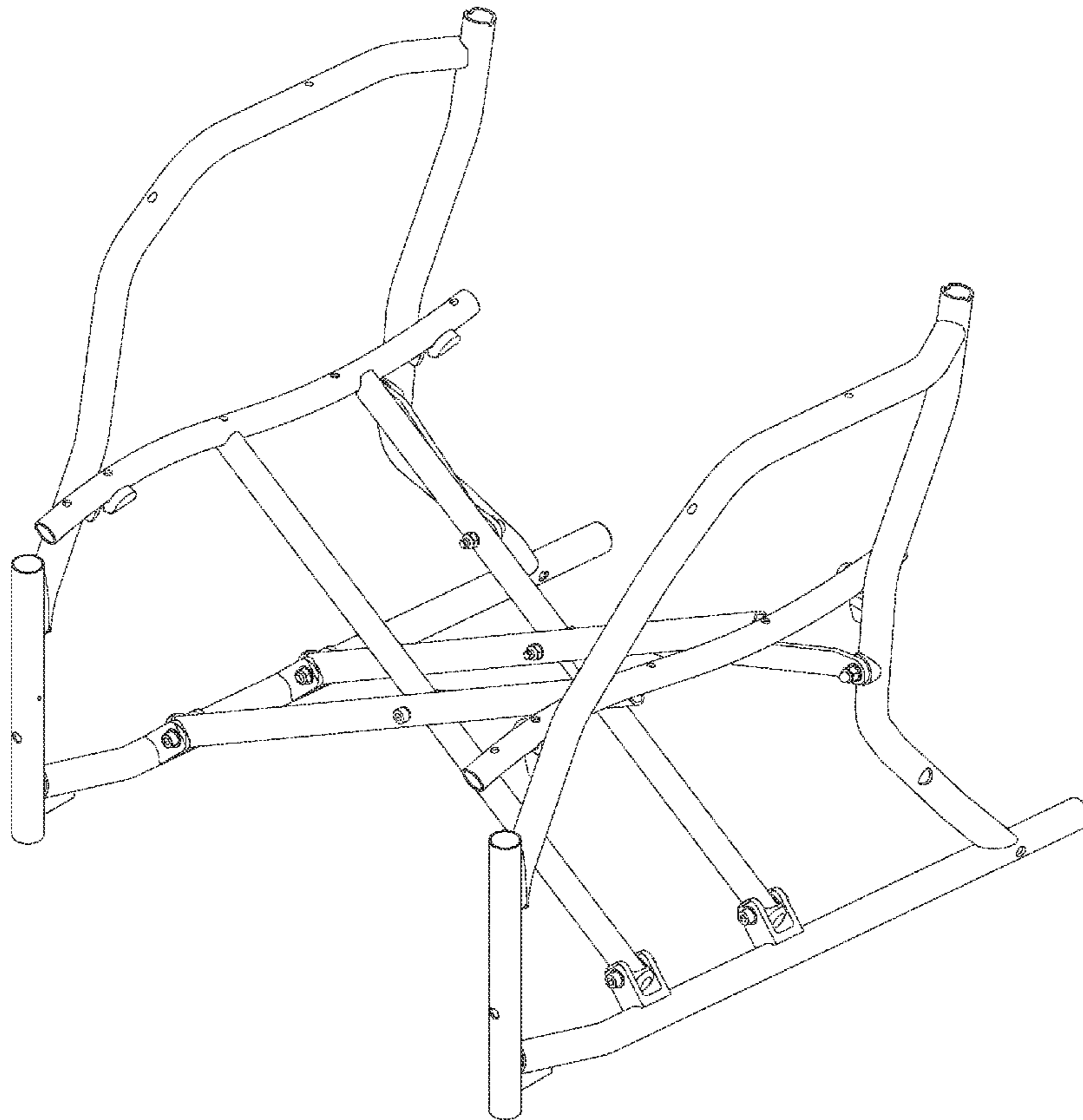
(57) **CLAIM**

The ornamental design for a wheelchair frame, as shown and described.

DESCRIPTION

FIG. 1 is a perspective view of a wheelchair frame showing my present design;
FIG. 2 is a front view thereof;
FIG. 3 is a rear view thereof;
FIG. 4 is a left view thereof;
FIG. 5 is a right view thereof;
FIG. 6 is a top plan view thereof; and,
FIG. 7 is a bottom plan view.

1 Claim, 7 Drawing Sheets



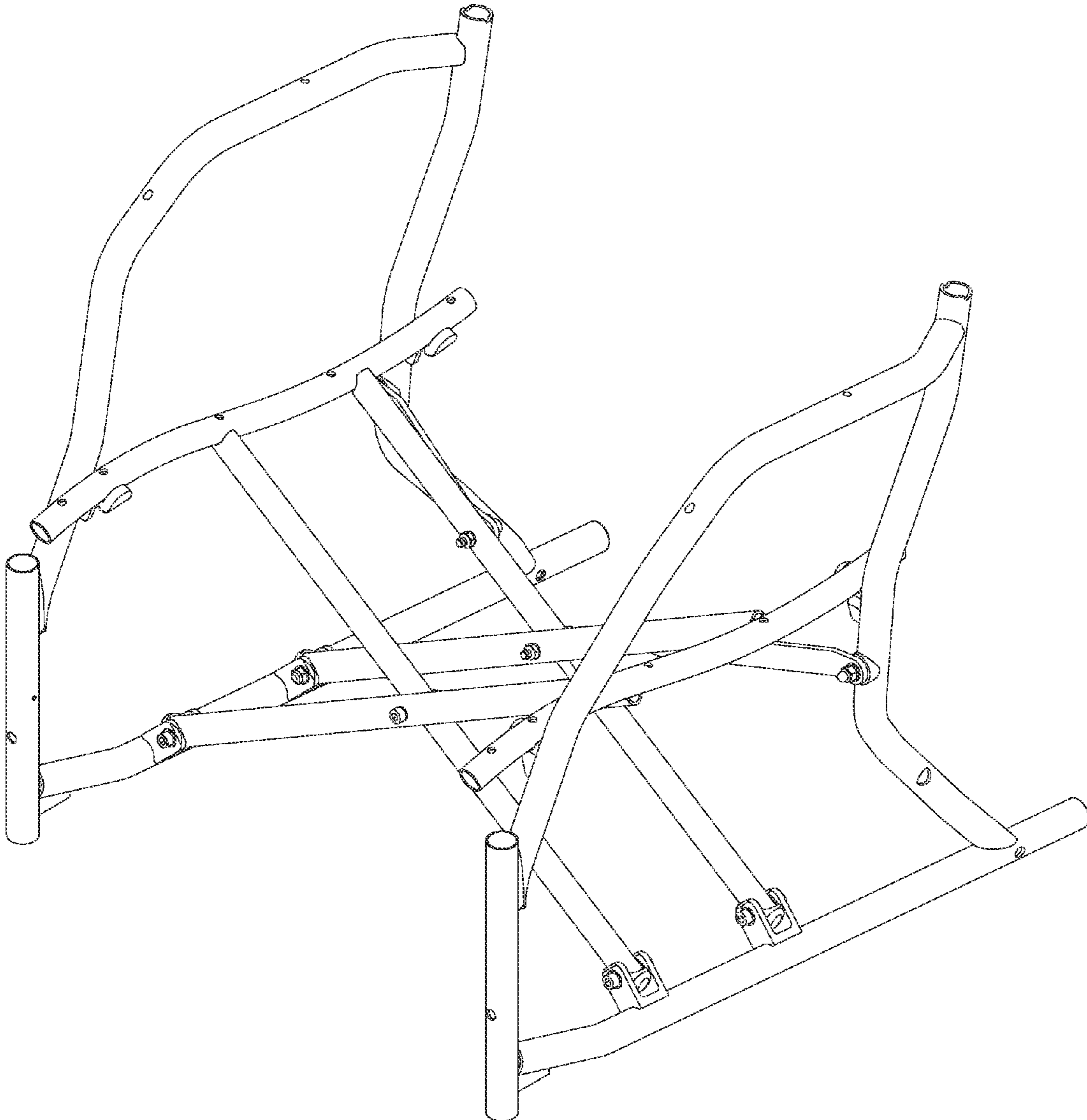


FIG. 1

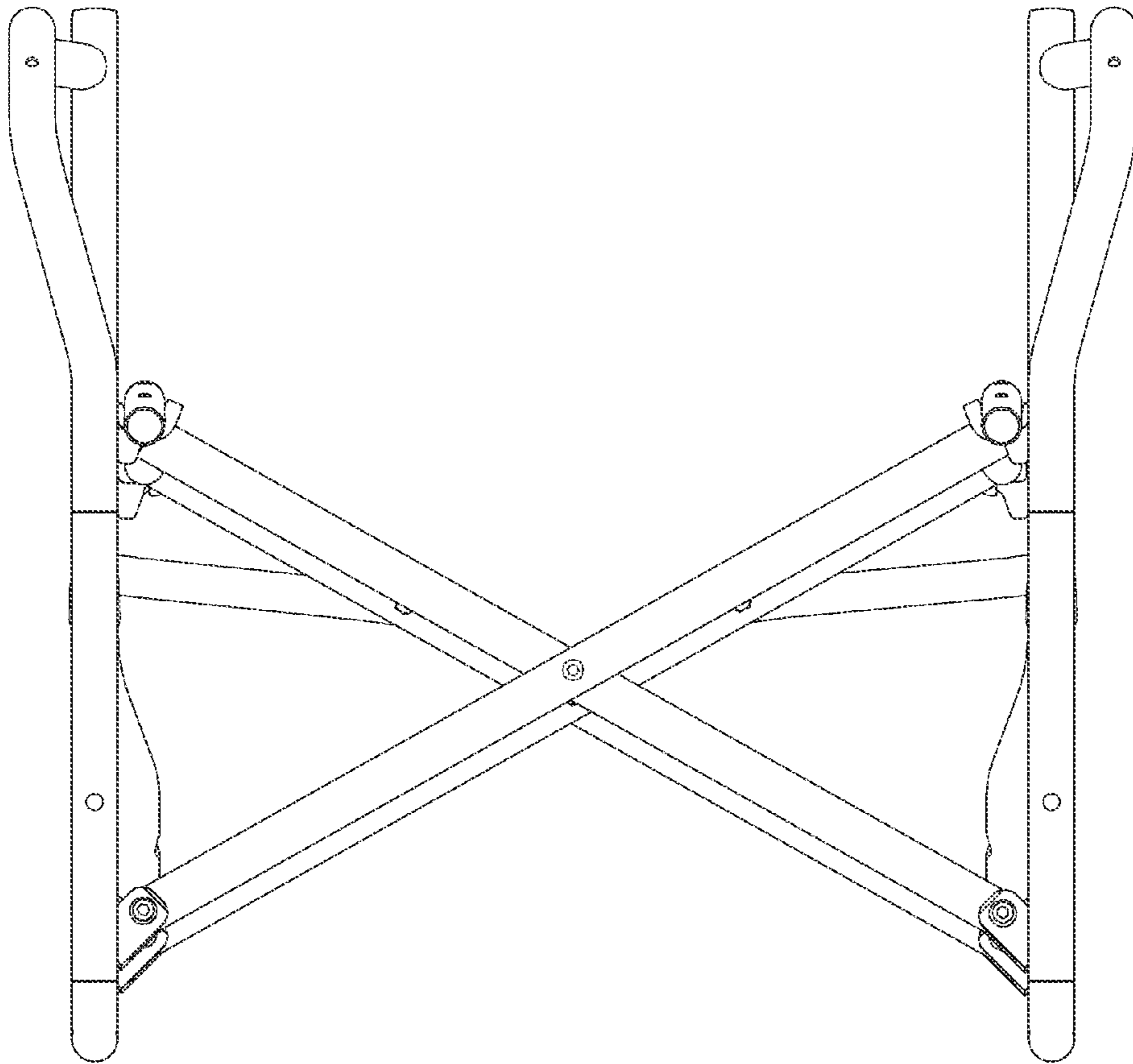


FIG. 2

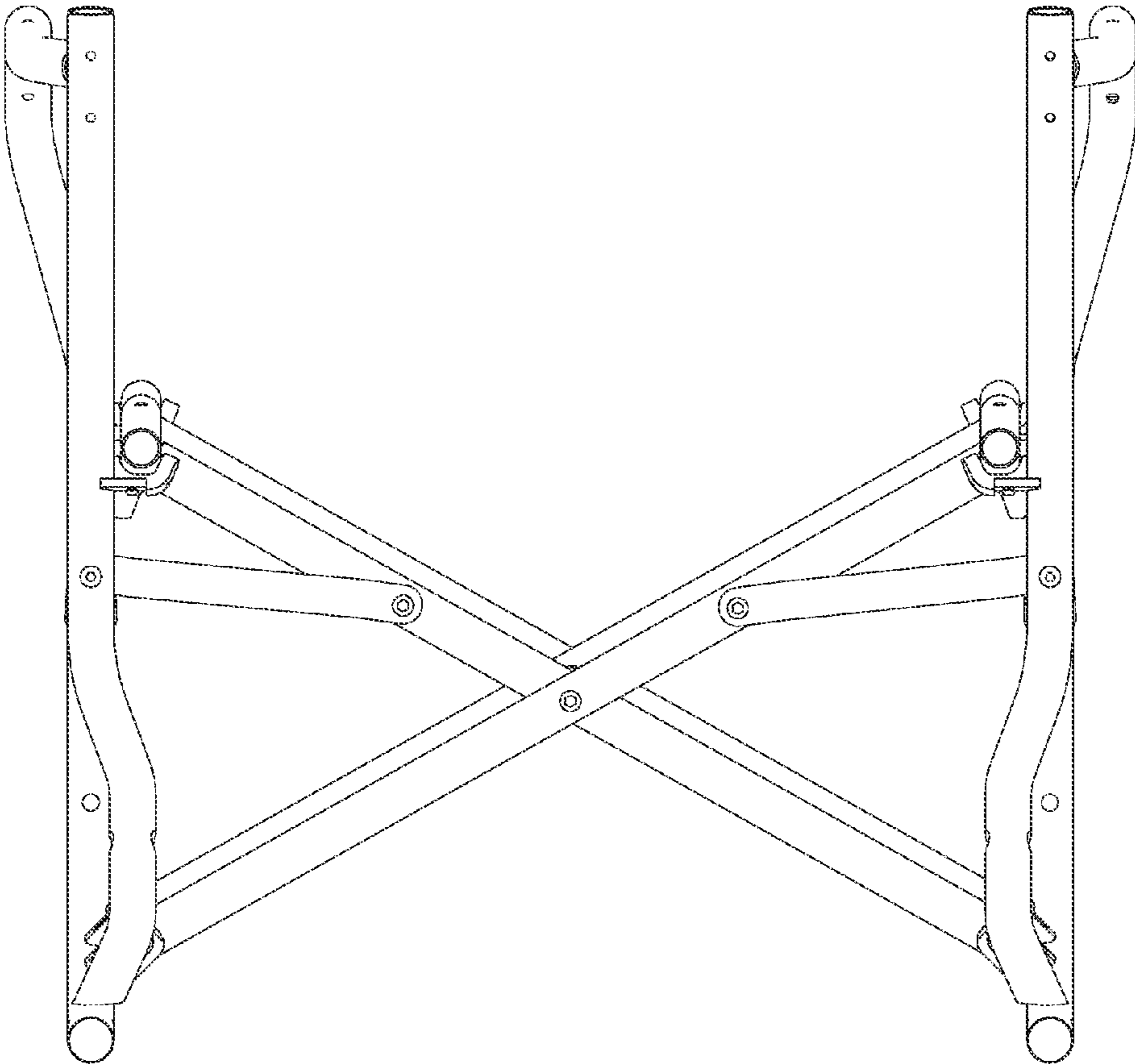


FIG . 3

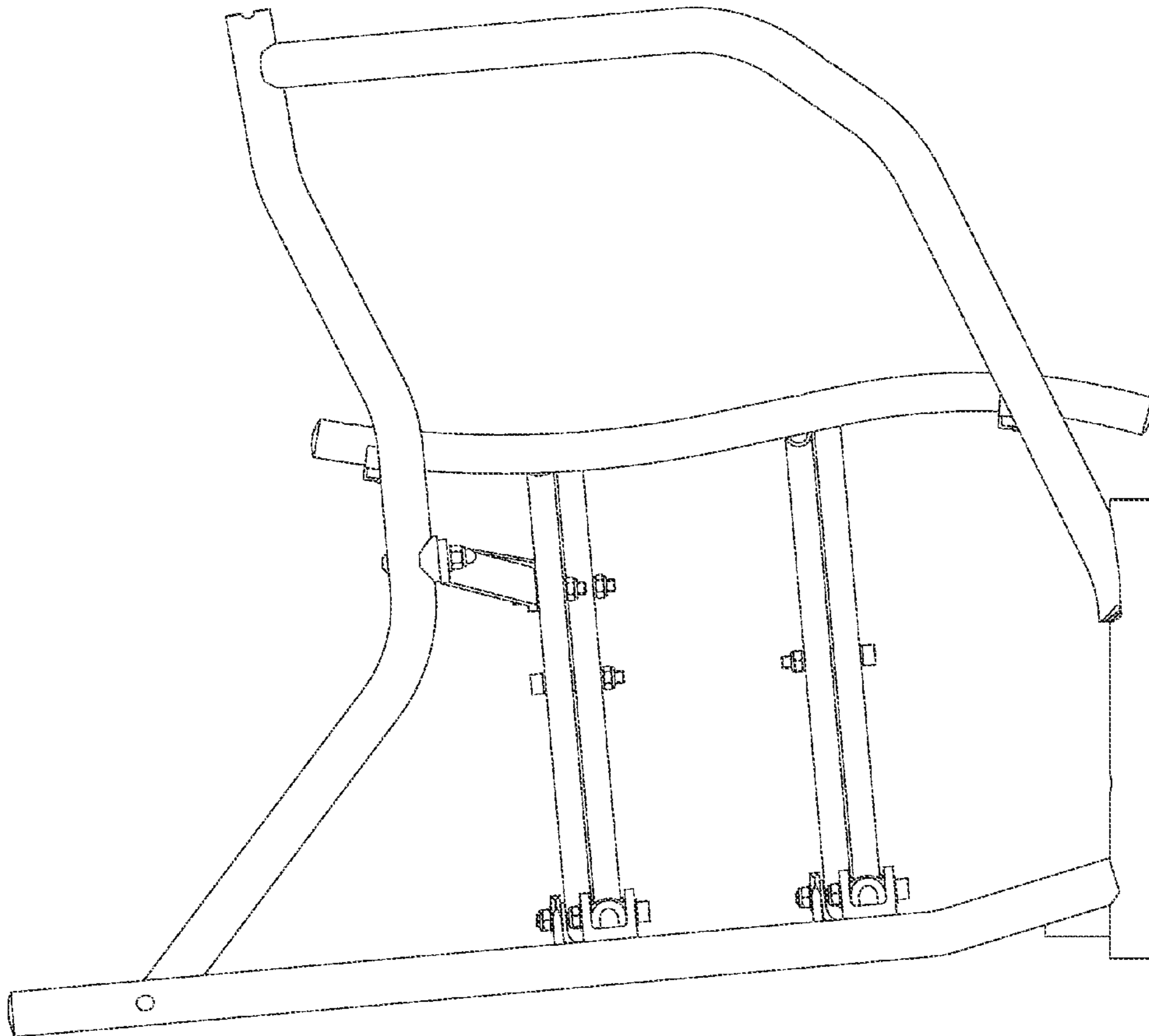


FIG. 4

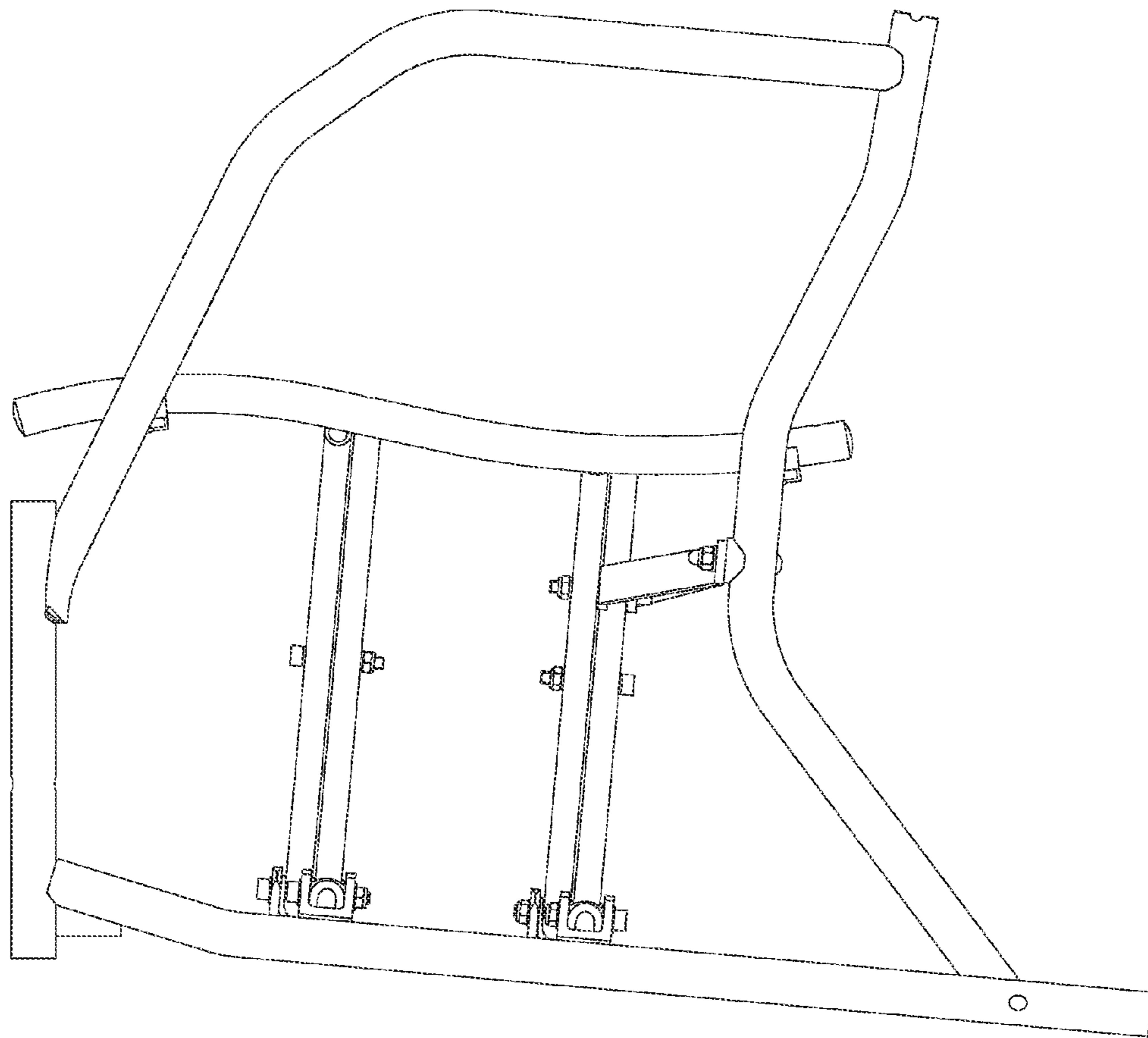


FIG. 5

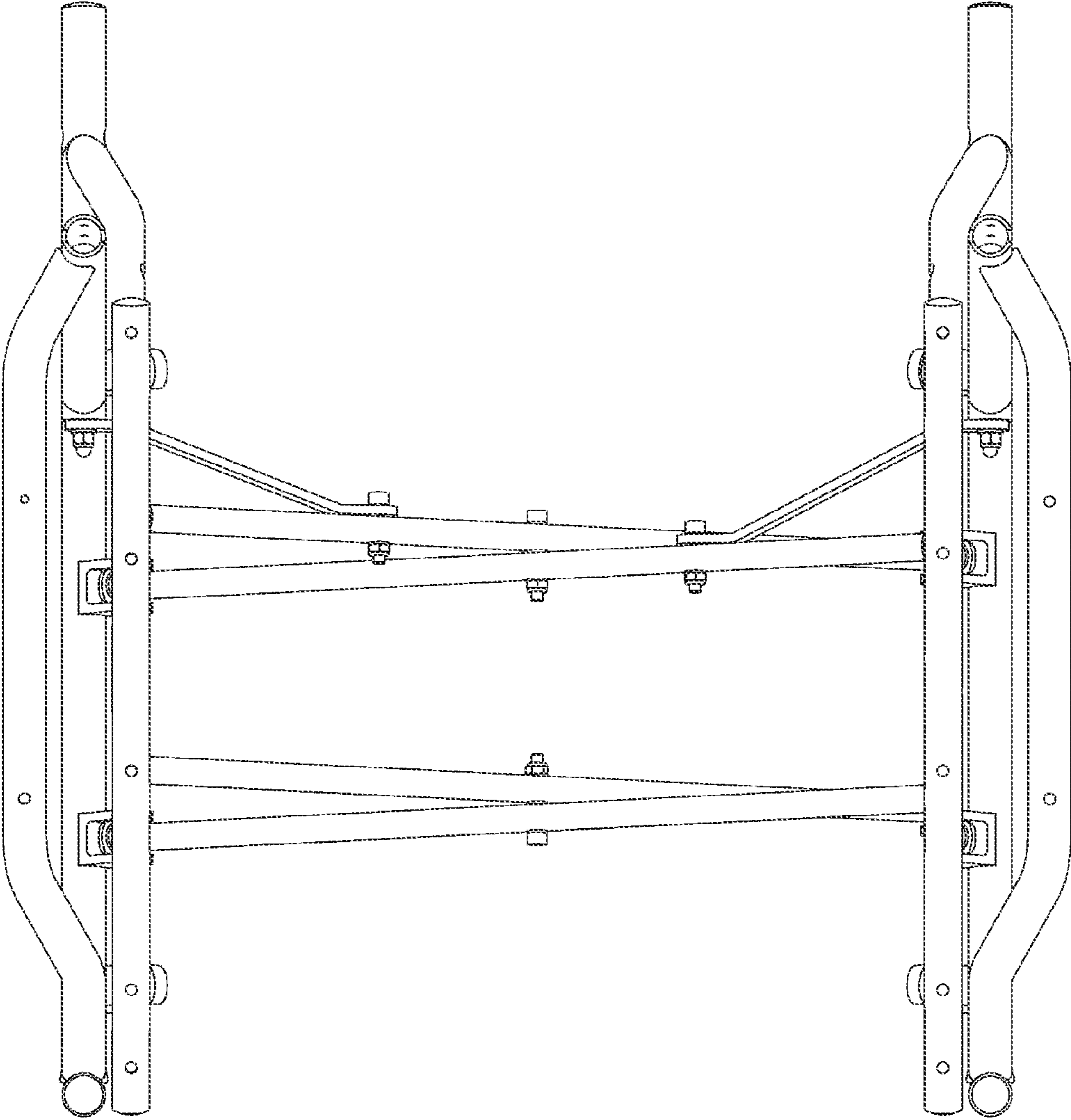


FIG. 6

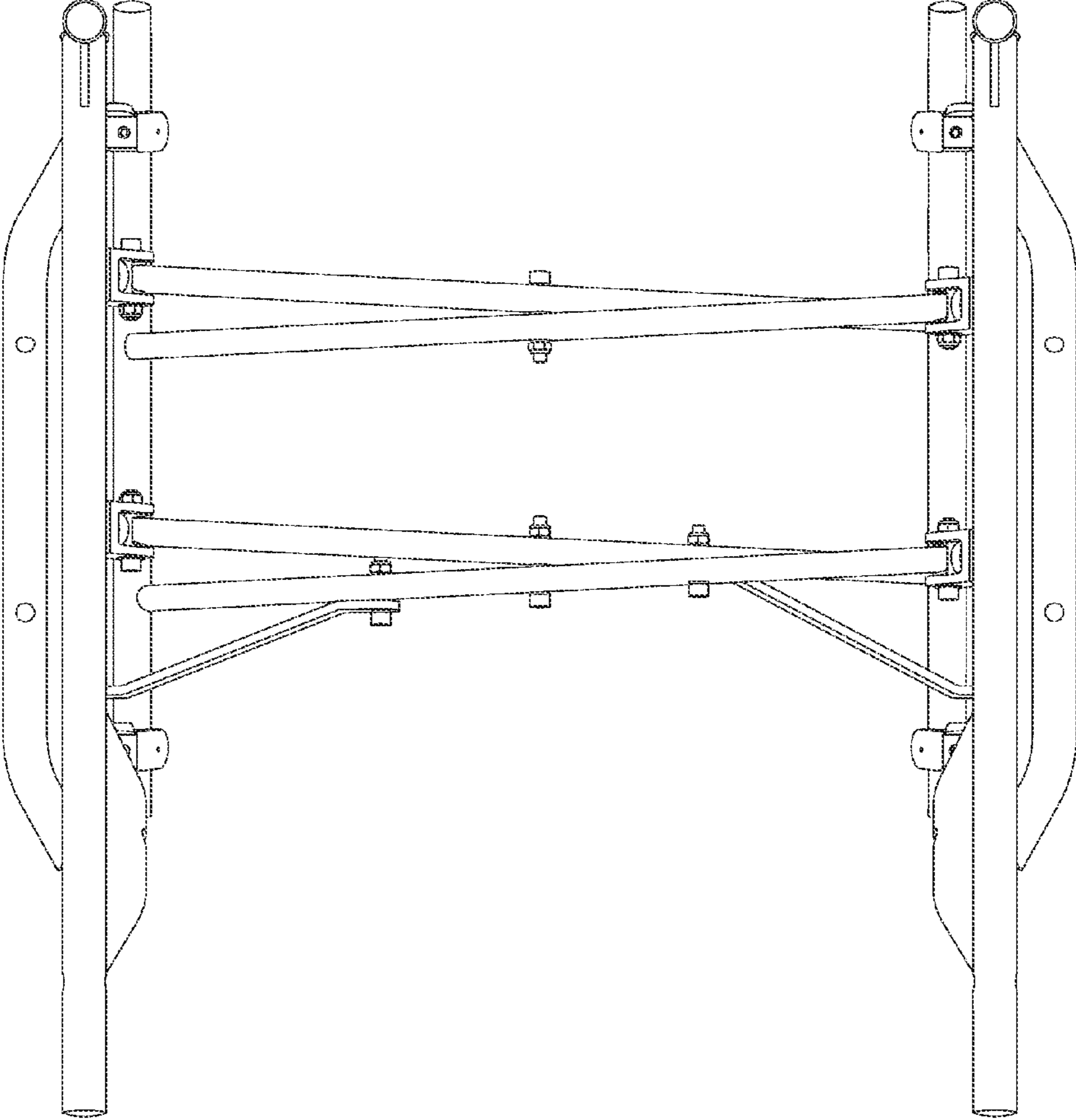


FIG . 7