

US00D699160S

(12) **United States Design Patent**  
**Yang**

(10) **Patent No.:** **US D699,160 S**  
(45) **Date of Patent:** **\*\* Feb. 11, 2014**

- (54) **WHEELCHAIR**
- (71) Applicant: **Karma Medical Products Co., Ltd.**,  
Chiayi Hsien (TW)
- (72) Inventor: **Chin-Chuan Yang**, Chiayi Hsien (TW)
- (73) Assignee: **Karma Medical Products Co., Ltd.**,  
Chiayi Hsien (TW)
- (\*\*) Term: **14 Years**
- (21) Appl. No.: **29/443,579**
- (22) Filed: **Jan. 18, 2013**
- (51) **LOC (10) Cl.** ..... **12-12**
- (52) **U.S. Cl.**  
USPC ..... **D12/131**
- (58) **Field of Classification Search**  
USPC ..... D12/128-133; 280/62, 647-650, 29,  
280/200, 47.38, 250.1, 259, 642, 658,  
280/304.1; 128/99.1, 100.1, 102.1, 876,  
128/877  
See application file for complete search history.

- D337,289 S \* 7/1993 Constantine et al. .... D12/131
- D339,315 S \* 9/1993 Lindkvist et al. .... D12/131
- 5,421,692 A \* 6/1995 Varrichio et al. .... 414/678
- 5,427,398 A \* 6/1995 Weybrecht ..... 280/304.1
- D401,540 S \* 11/1998 Yamamoto ..... D12/131
- D427,949 S \* 7/2000 Schlangen ..... D12/131
- D431,502 S \* 10/2000 Schlangen ..... D12/131
- D622,641 S \* 8/2010 Chen et al. .... D12/131

\* cited by examiner

*Primary Examiner* — Ian Simmons

*Assistant Examiner* — Charles Hanson

(74) *Attorney, Agent, or Firm* — Muncy, Geissler, Olds & Lowe, PLLC

(57) **CLAIM**

I claim, the ornamental design for a wheelchair, as shown and described.

**DESCRIPTION**

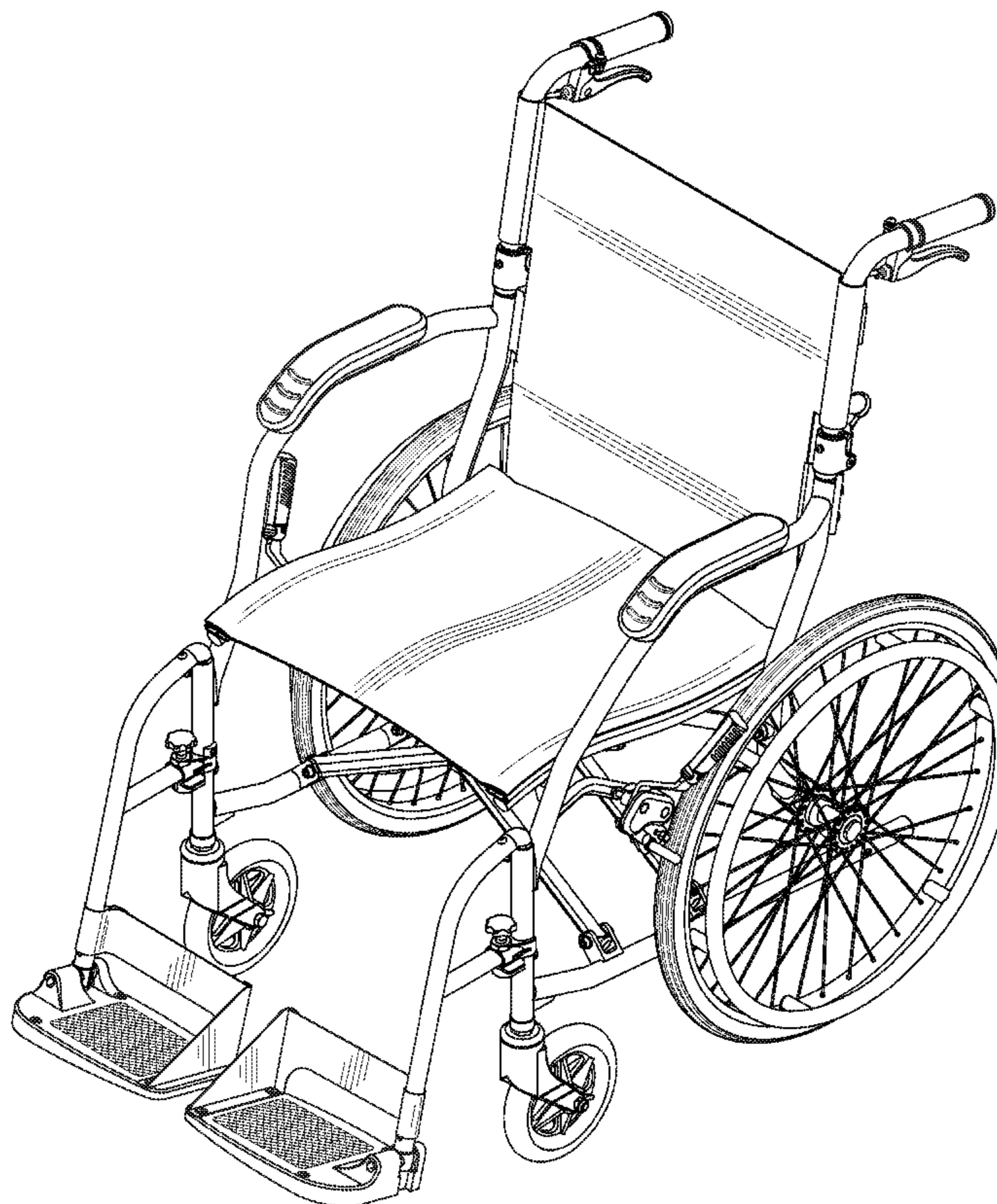
FIG. 1 is a perspective view of a wheelchair showing my present design;  
 FIG. 2 is a front view thereof;  
 FIG. 3 is a rear view thereof;  
 FIG. 4 is a left view thereof;  
 FIG. 5 is a right view thereof;  
 FIG. 6 is a top plan view thereof; and,  
 FIG. 7 is a bottom plan view.

**1 Claim, 7 Drawing Sheets**

(56) **References Cited**

**U.S. PATENT DOCUMENTS**

- 4,721,321 A \* 1/1988 Haury et al. .... 280/250.1
- 5,160,156 A \* 11/1992 Mendon ..... 280/250.1
- 5,176,393 A \* 1/1993 Robertson et al. .... 280/250.1



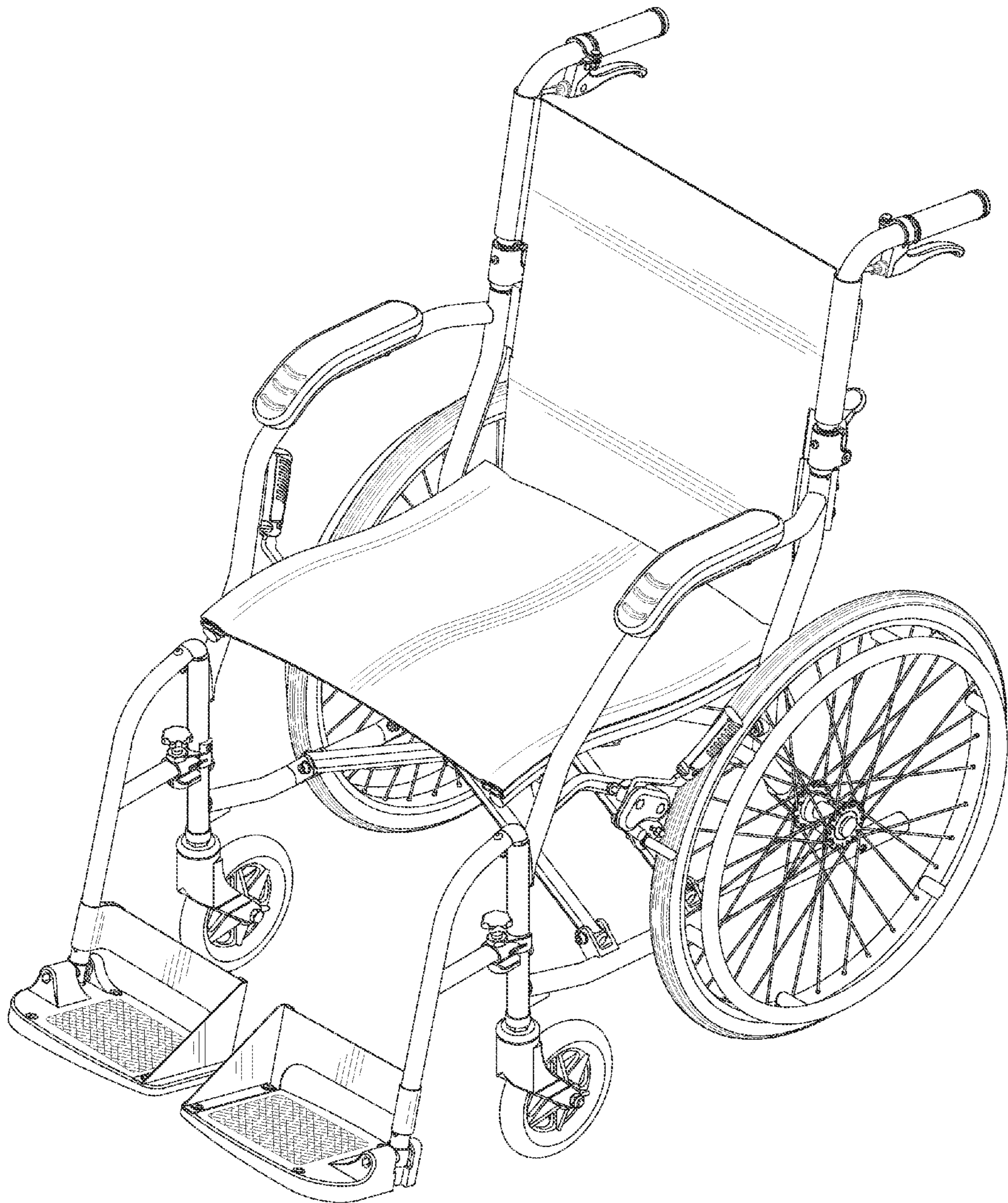


FIG. 1

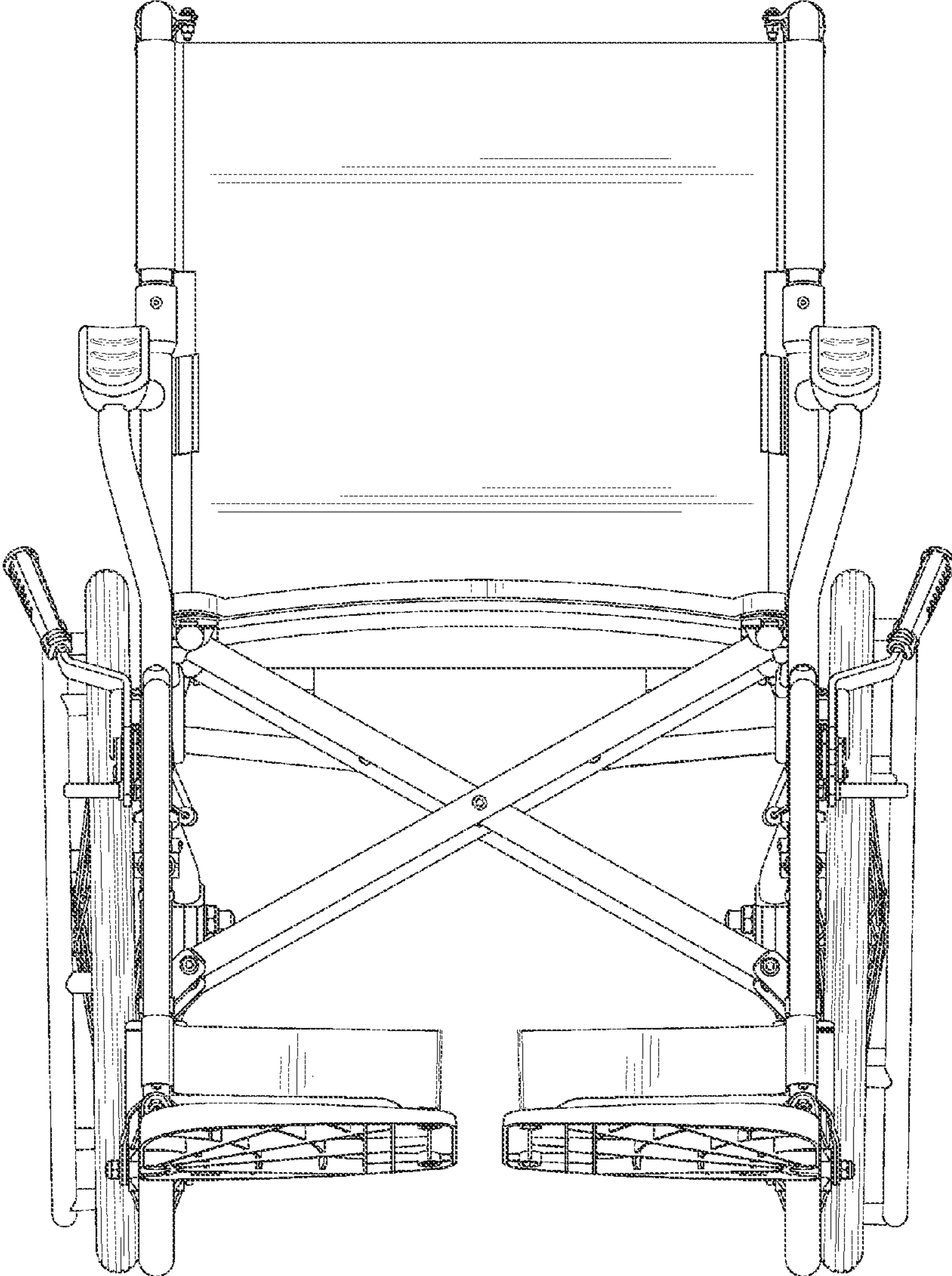


FIG. 2

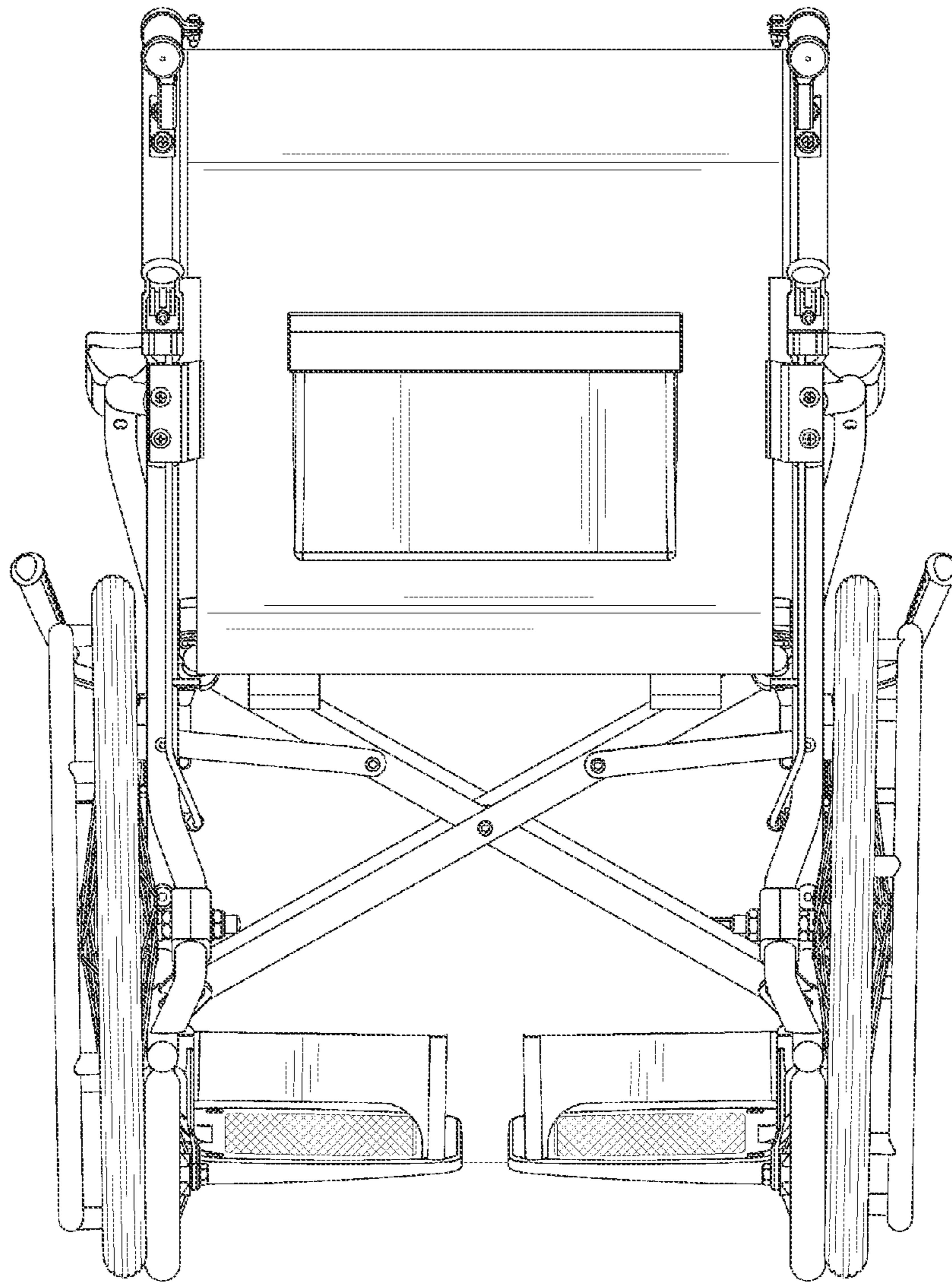


FIG. 3

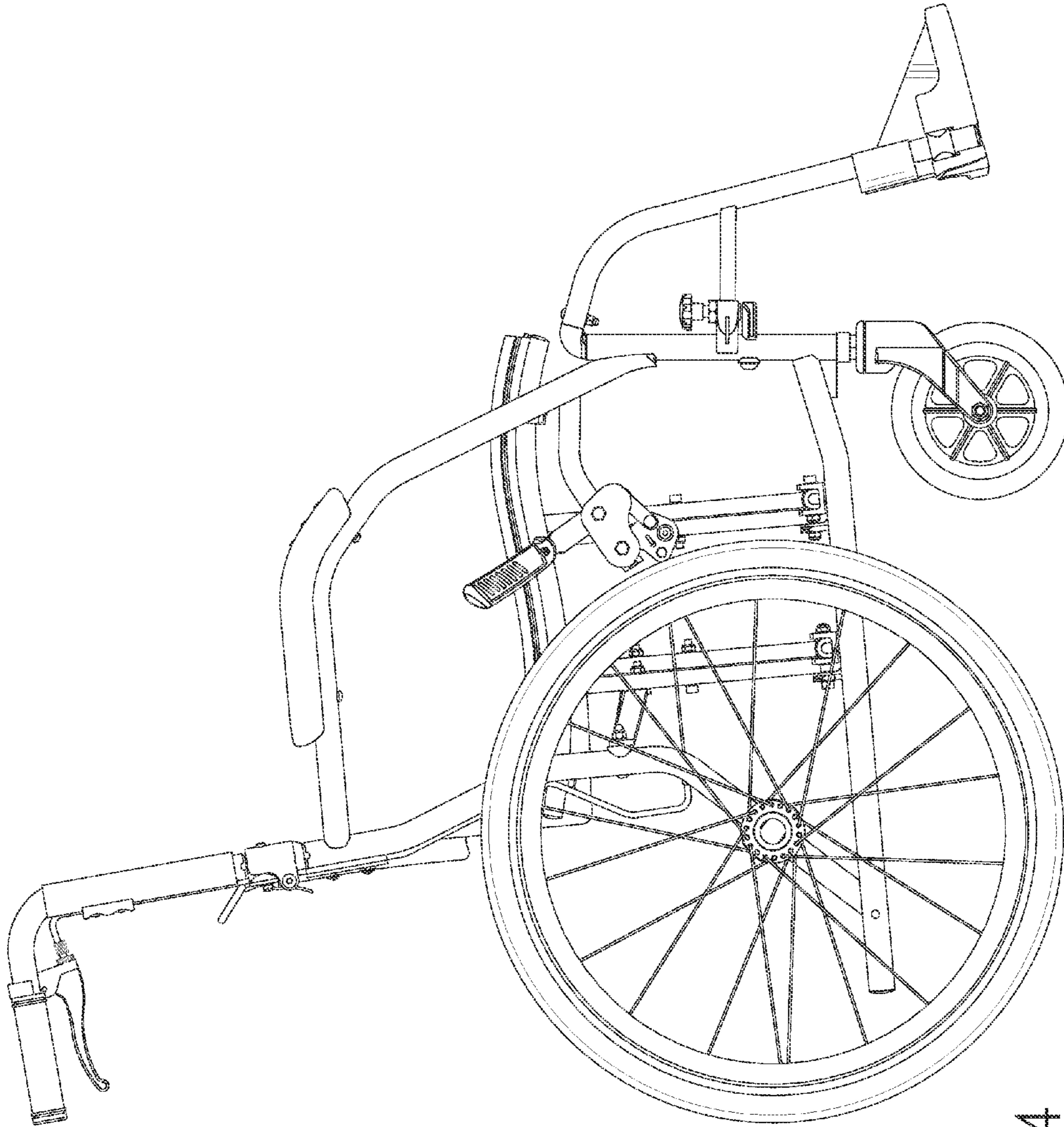


FIG. 4

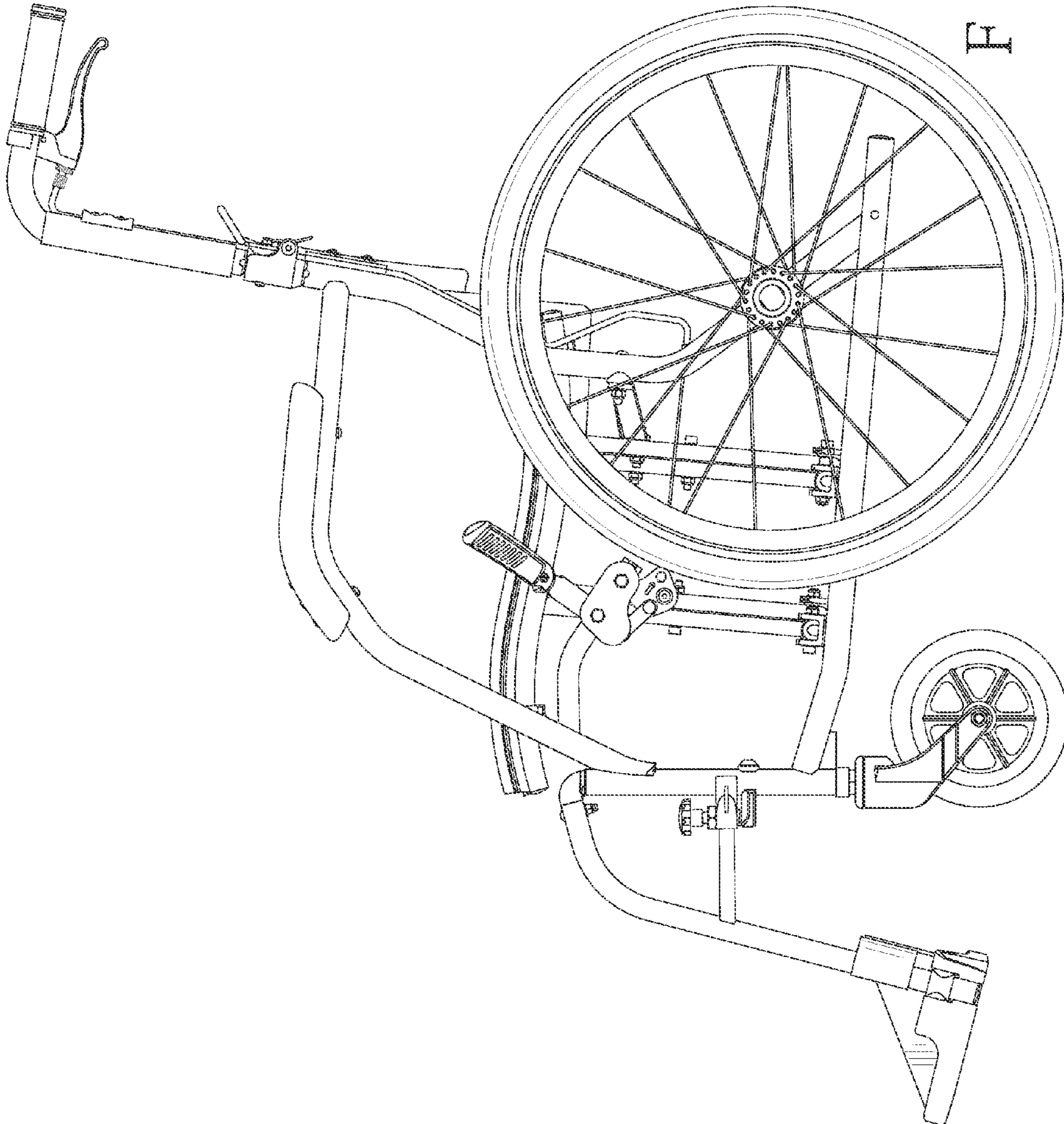


FIG. 5

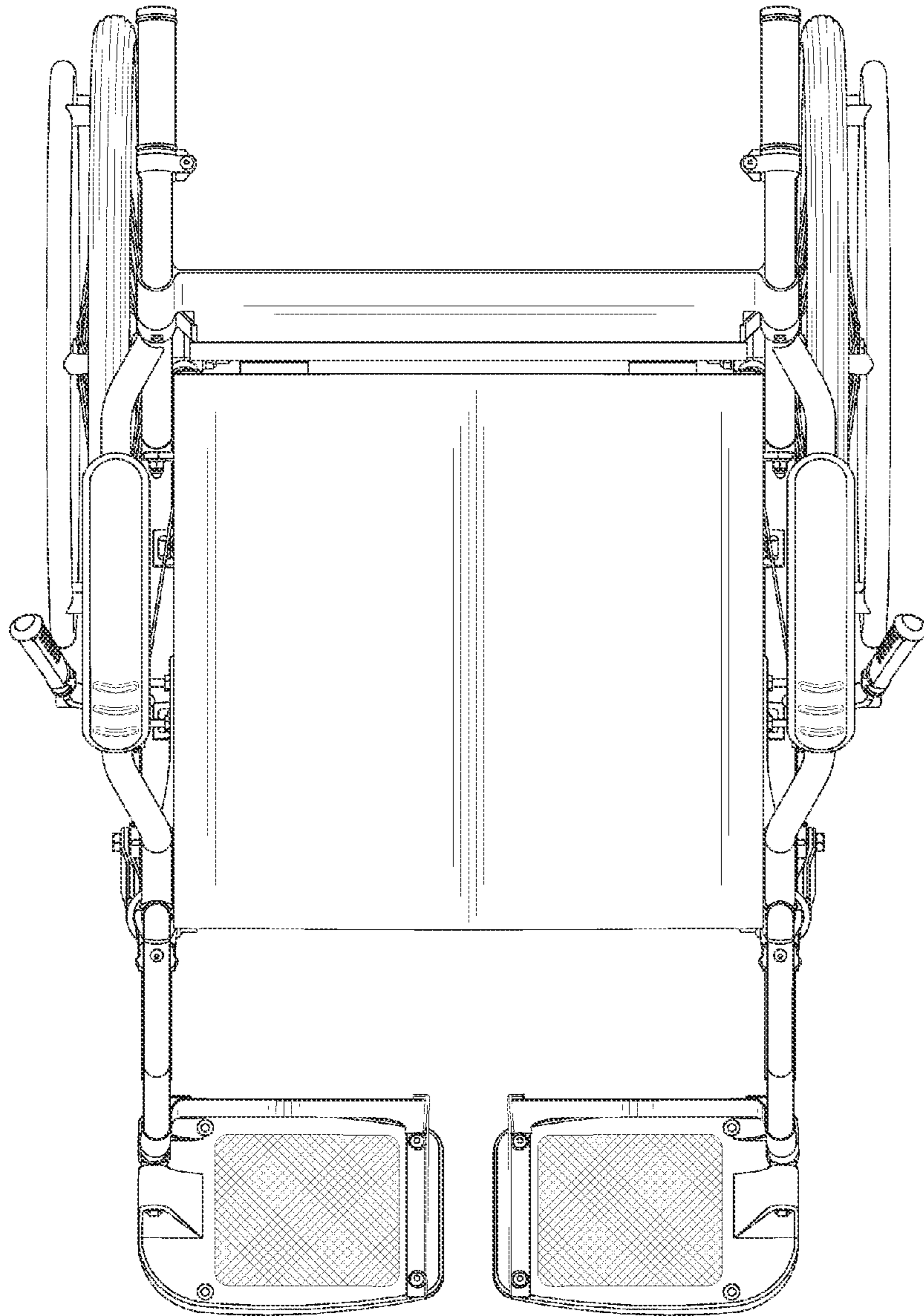


FIG. 6

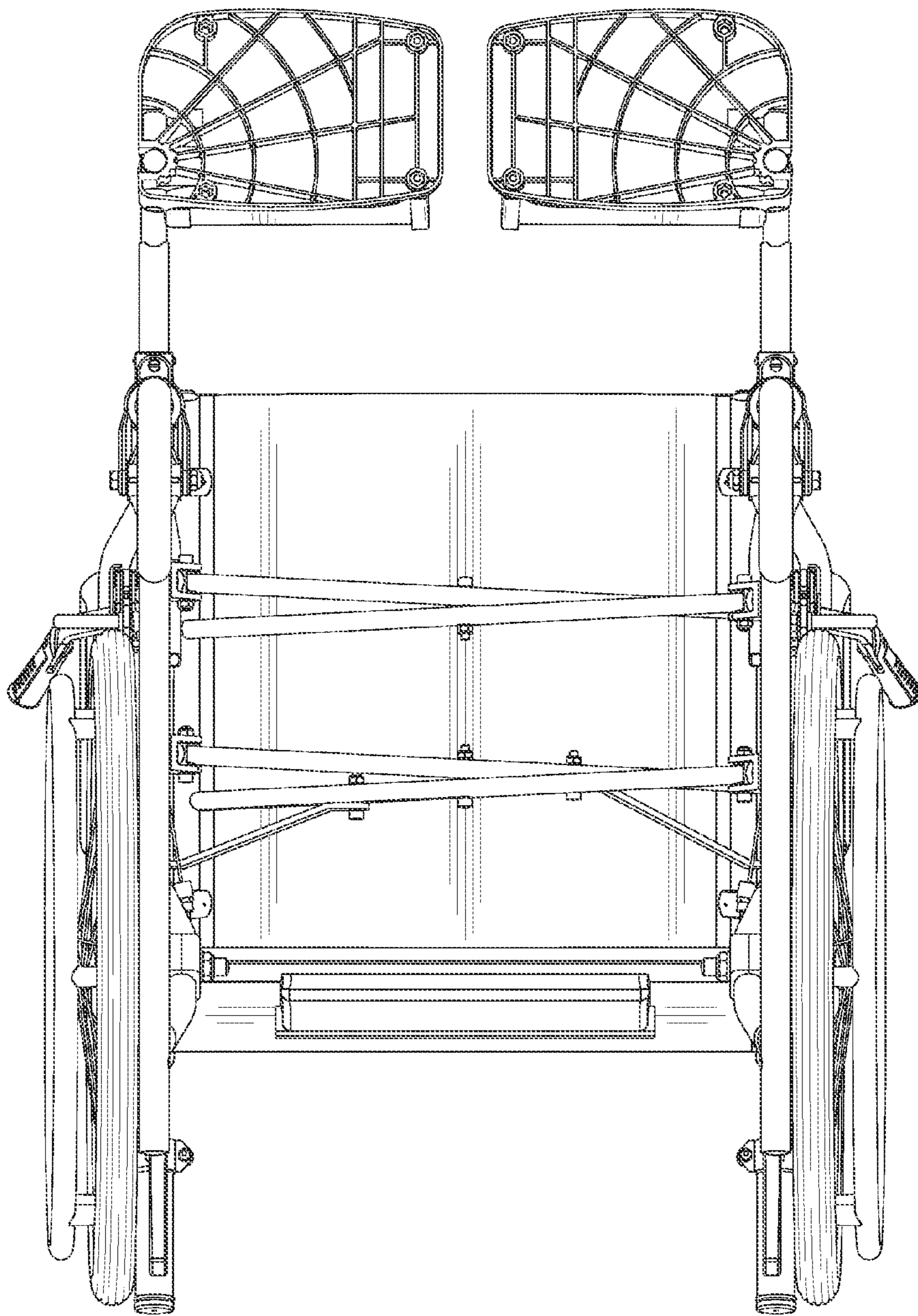


FIG. 7