



US00D699157S

(12) **United States Design Patent**
Bischoff et al.

(10) **Patent No.:** **US D699,157 S**

(45) **Date of Patent:** **** Feb. 11, 2014**

(54) **MOTOR VEHICLE**

(75) Inventors: **Klaus Bischoff**, Evessen (DE); **Marc Lichte**, Braunschweig (DE); **Frank J. Brüse**, Hannover (DE)

(73) Assignee: **Volkswagen Aktiengesellschaft**, Wolfsburg (DE)

(**) Term: **14 Years**

(21) Appl. No.: **29/432,059**

(22) Filed: **Sep. 13, 2012**

(30) **Foreign Application Priority Data**

Apr. 5, 2012 (WO) 662 709 801

(51) **LOC (10) CL.** **12-08**

(52) **U.S. CL.**
USPC **D12/92**

(58) **Field of Classification Search**
USPC D12/86, 90-92; D21/424, 433, 434;
296/181.1, 181.5

See application file for complete search history.

(56) **References Cited**

U.S. PATENT DOCUMENTS

D584,189 S * 1/2009 Bischoff et al. D12/91
D584,190 S * 1/2009 Bischoff et al. D12/92
D584,997 S * 1/2009 Bischoff et al. D12/91
D620,394 S * 7/2010 Bischoff et al. D12/91
D621,300 S * 8/2010 Bischoff et al. D12/92
D626,885 S * 11/2010 Bischoff et al. D12/91
D626,888 S * 11/2010 Bischoff et al. D12/92
D628,940 S * 12/2010 Bischoff et al. D12/92
D630,973 S * 1/2011 Bischoff et al. D12/92

D632,222 S * 2/2011 Bischoff et al. D12/92
D637,943 S * 5/2011 Bischoff et al. D12/92
D678,126 S * 3/2013 Bischoff et al. D12/92

* cited by examiner

Primary Examiner — Melody Brown

(74) *Attorney, Agent, or Firm* — Lucas & Mercanti, LLP;
Klaus P. Stoffel

(57) **CLAIM**

The ornamental design for a motor vehicle, as shown and described.

DESCRIPTION

FIG. 1 is a front, right side perspective view of the motor vehicle of the present invention with the convertible top up; FIG. 2 is a front, left side perspective view thereof; FIG. 3 is a rear, right side perspective view thereof; FIG. 4 is a rear, left side perspective view thereof; FIG. 5 is a right side view thereof; FIG. 6 is a left side view thereof; FIG. 7 is a front view thereof; FIG. 8 is a rear view thereof; FIG. 9 is a top view thereof; FIG. 10 is a bottom view thereof; FIG. 11 is a front, right side perspective view of the motor vehicle of the present invention with the convertible top down; FIG. 12 is a front, left side perspective view thereof; FIG. 13 is a rear, right side perspective view thereof; FIG. 14 is a rear, left side perspective view thereof; FIG. 15 is a right side view thereof; FIG. 16 is a left side view thereof; FIG. 17 is a front view thereof; FIG. 18 is a rear view thereof; and, FIG. 19 is a top view thereof.

1 Claim, 12 Drawing Sheets





Fig. 1



Fig. 2



Fig. 3



Fig. 4

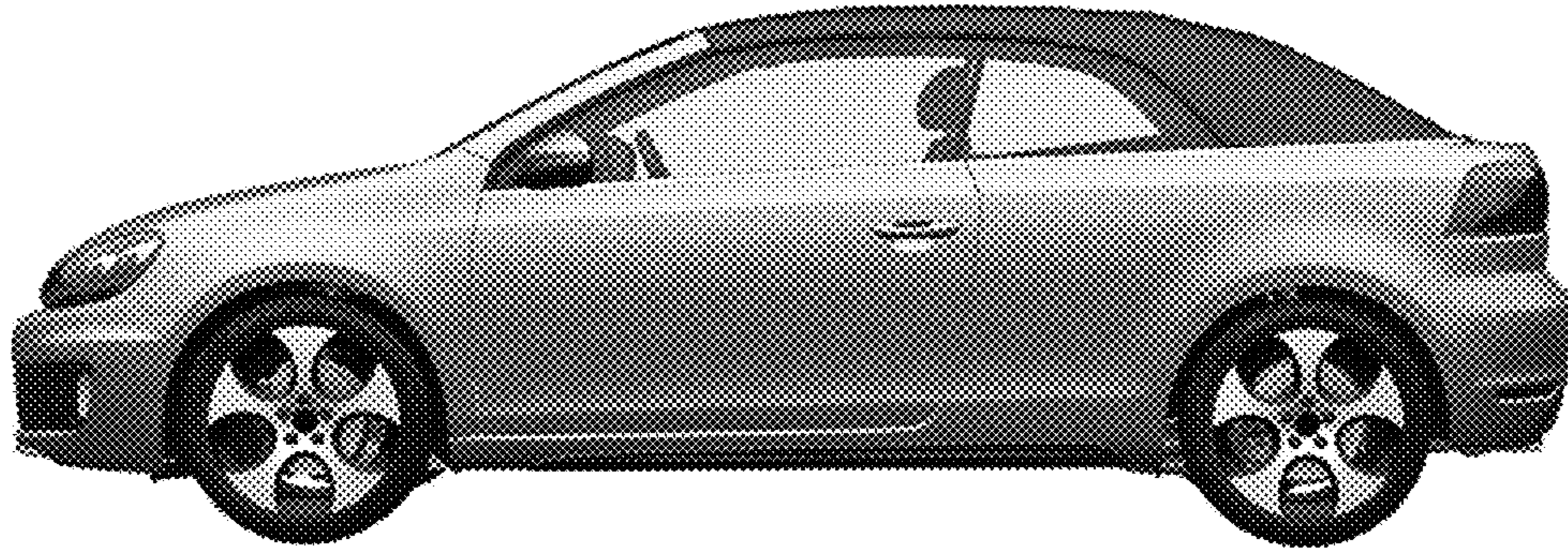


Fig. 5

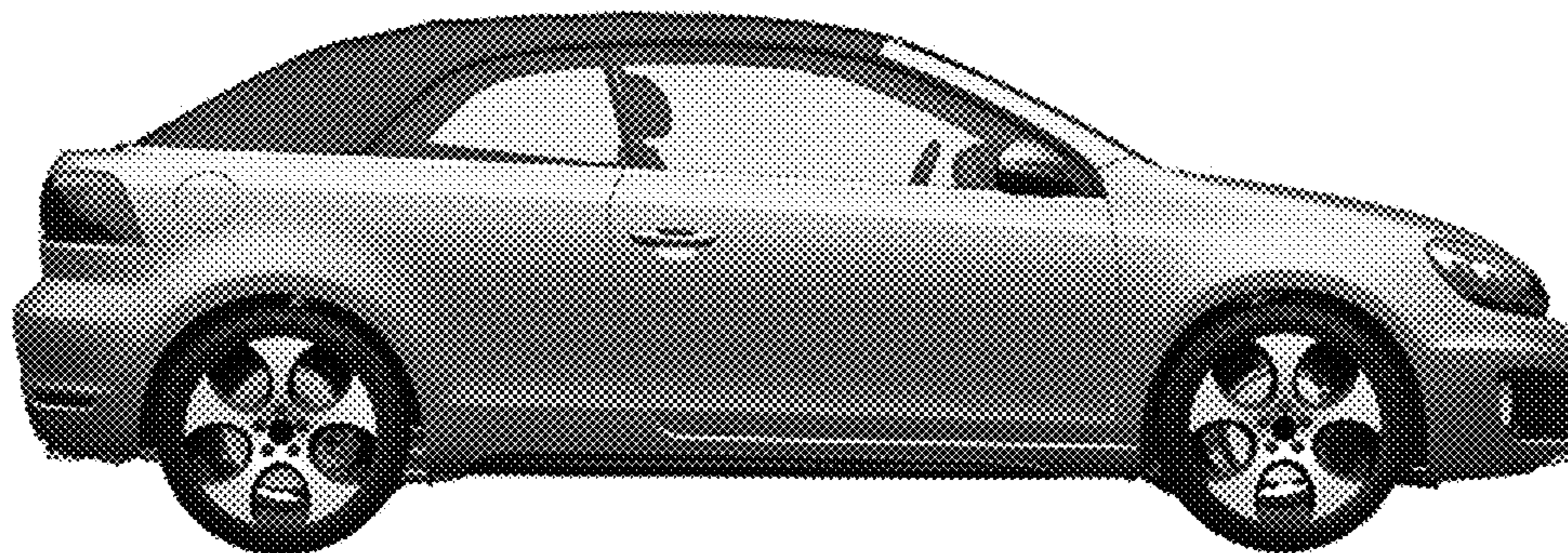


Fig. 6



Fig. 7



Fig. 8

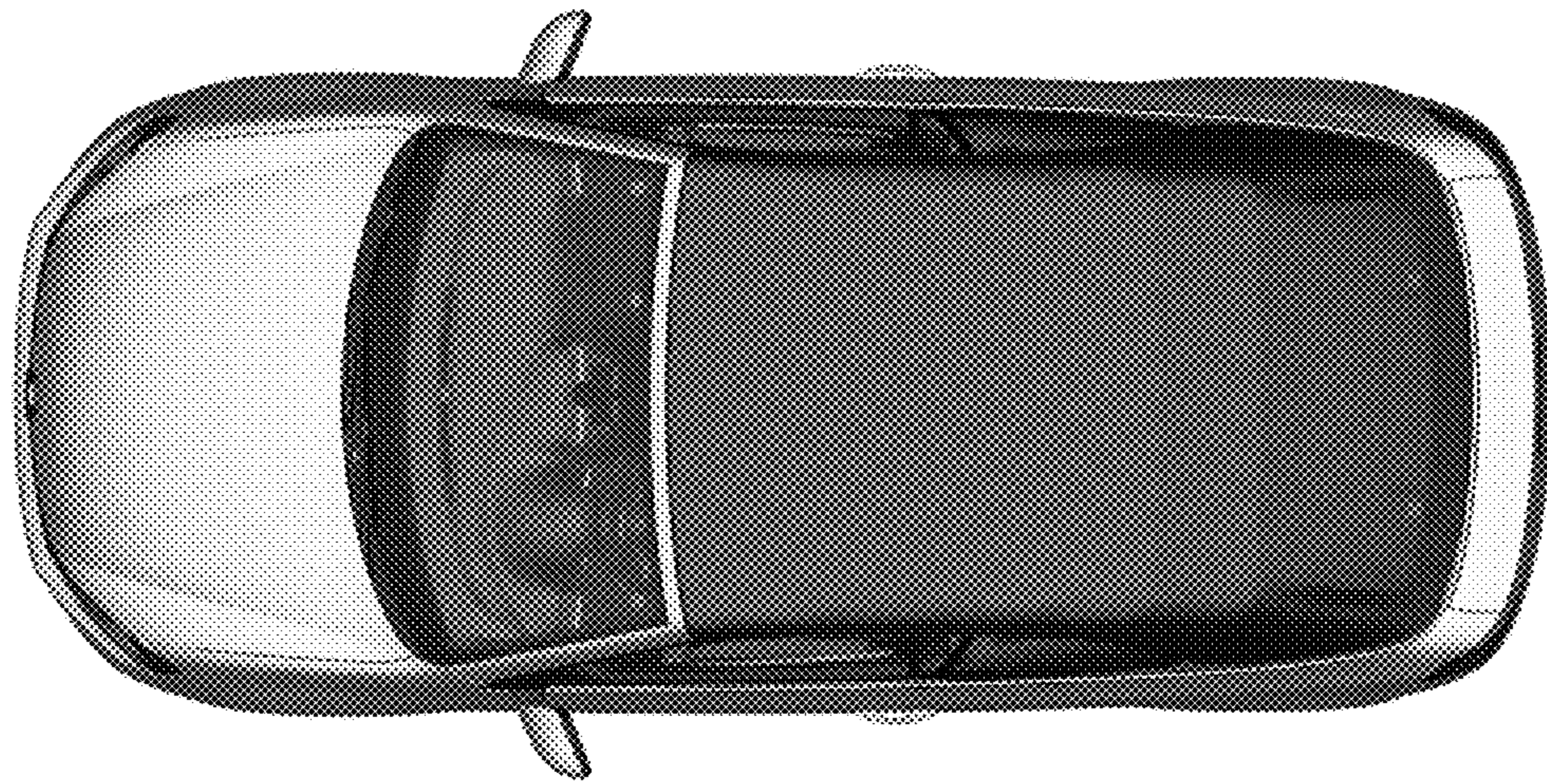


Fig. 9



Fig. 10



Fig. 11



Fig. 12



Fig. 13



Fig. 14

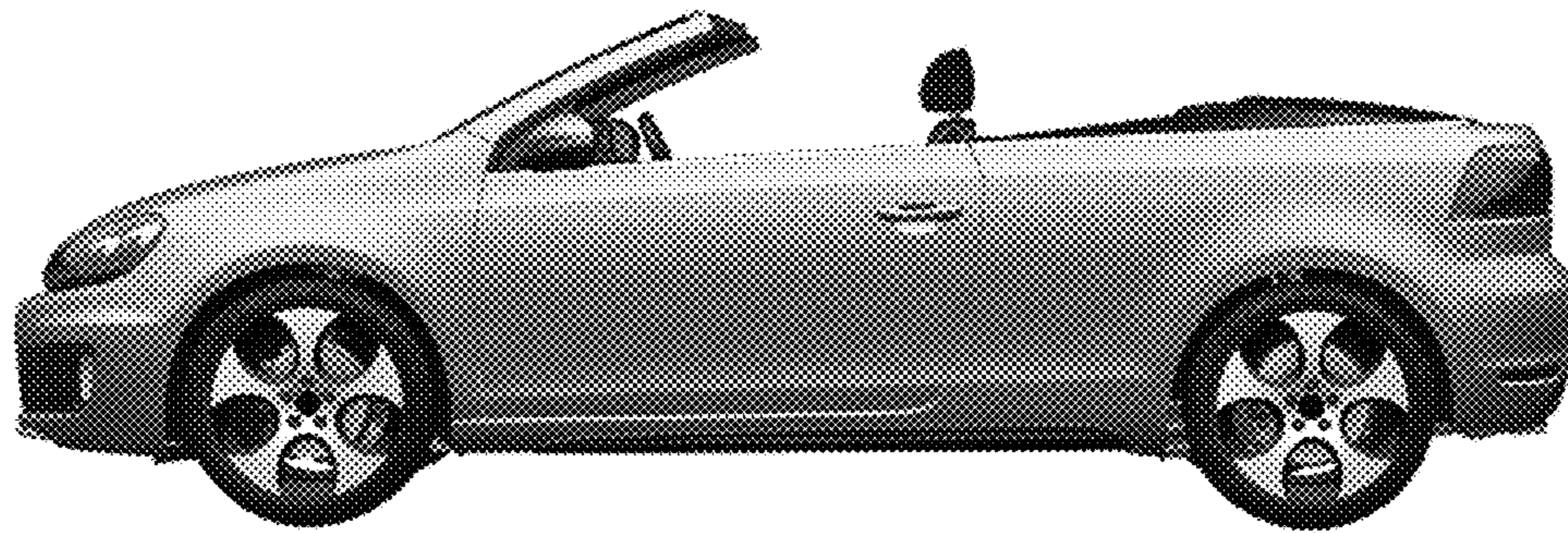


Fig. 15

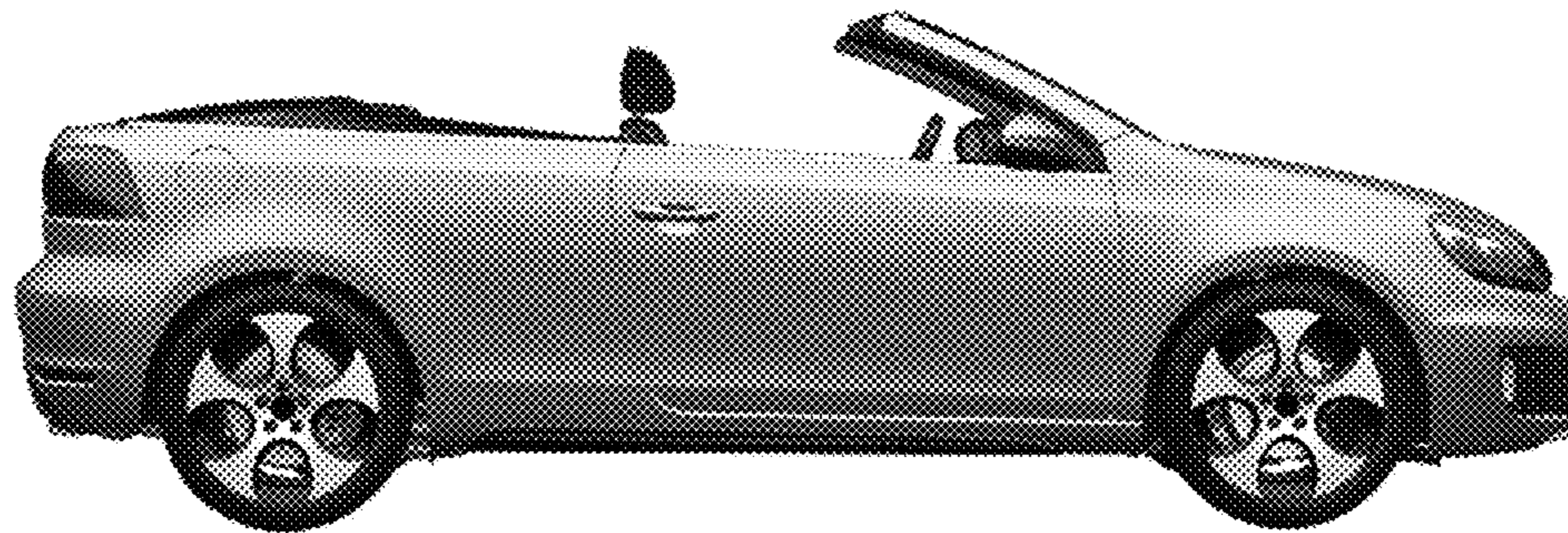


Fig. 16



Fig. 17



Fig. 18

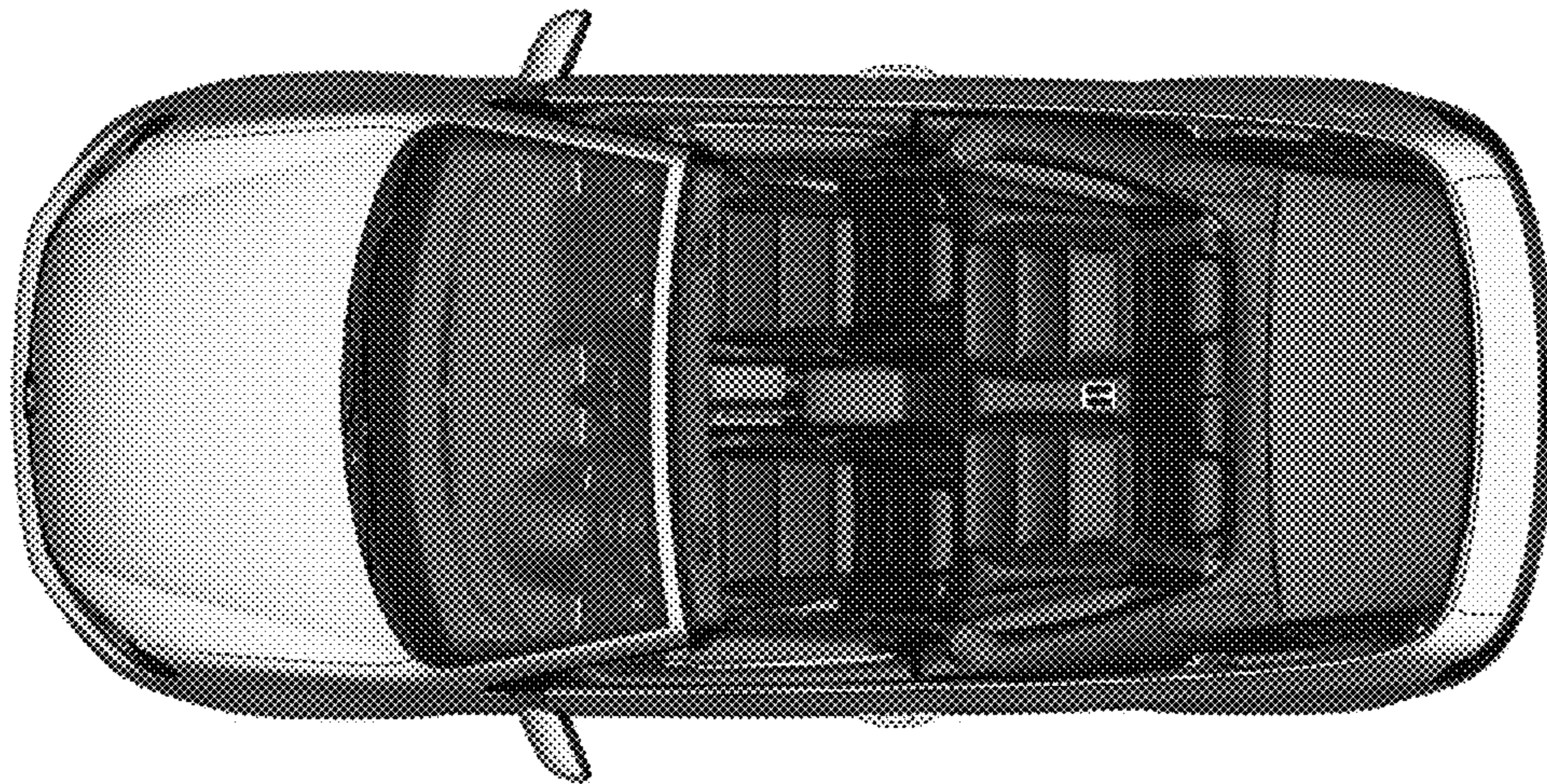


Fig. 19