



US00D699155S

(12) **United States Design Patent**
Okue et al.

(10) **Patent No.:** **US D699,155 S**
(45) **Date of Patent:** **** Feb. 11, 2014**

(54) **AUTOMOBILE BODY**

(75) Inventors: **Masaki Okue**, Toyota (JP); **Akira Kubota**, Toyota (JP); **Hideki Hayashi**, Toyota (JP); **Takuya Watabe**, Toyota (JP)

(73) Assignee: **Toyota Jidosha Kabushiki Kaisha** (JP)

(**) Term: **14 Years**

(21) Appl. No.: **29/429,214**

(22) Filed: **Aug. 8, 2012**

(51) **LOC (10) Cl.** **12-08**

(52) **U.S. Cl.**
USPC **D12/91**

(58) **Field of Classification Search**
USPC D12/86, 90-92; D21/424, 433, 434;
296/181.1, 181.5

See application file for complete search history.

(56) **References Cited**

U.S. PATENT DOCUMENTS

D597,889 S *	8/2009	Fujiyoshi et al.	D12/91
D616,333 S *	5/2010	Cartabiano et al.	D12/91
D624,850 S *	10/2010	Yagi et al.	D12/91
D626,034 S *	10/2010	Nakamura et al.	D12/91
D626,886 S *	11/2010	Sakae et al.	D12/91
D635,058 S *	3/2011	Neuchi et al.	D12/91
D636,705 S *	4/2011	Ward	D12/91
D664,069 S *	7/2012	Dan et al.	D12/91
D673,483 S *	1/2013	Yamada et al.	D12/91

OTHER PUBLICATIONS

Nissan, Nissan Qashqui 2010, NetCarShow.com, http://www.netcarshow.com/nissan/2010-qashqui/800x600/wallpaper_01.htm,

http://www.netcarshow.com/nissan/2010-qashqui/800x600/wallpaper_1c.htm, http://www.netcarshow.com/nissan/2010-qashqui/1024x768/wallpaper_0c.htm, available at least as early as Aug. 8, 2011.

Mitsubishi, Mitsubishi Outlander SE, NetCarShow.com, http://www.netcarshow.com/mitsubishi/2008-outlander_se/800x600/wallpaper_03.htm, http://www.netcarshow.com/mitsubishi/2008-outlander_se/800x600/wallpaper_0b.htm, http://www.netcarshow.com/mitsubishi/2008-outlander_se/1024x768/wallpaper_08.htm, available in 2009.

* cited by examiner

Primary Examiner — Melody Brown

(74) *Attorney, Agent, or Firm* — SAIDMAN DesignLaw Group

(57) **CLAIM**

The ornamental design for an automobile body, as shown and described.

DESCRIPTION

FIG. 1 is a front perspective view of an automobile body showing our new design;

FIG. 2 is a rear perspective view thereof;

FIG. 3 is a front view thereof;

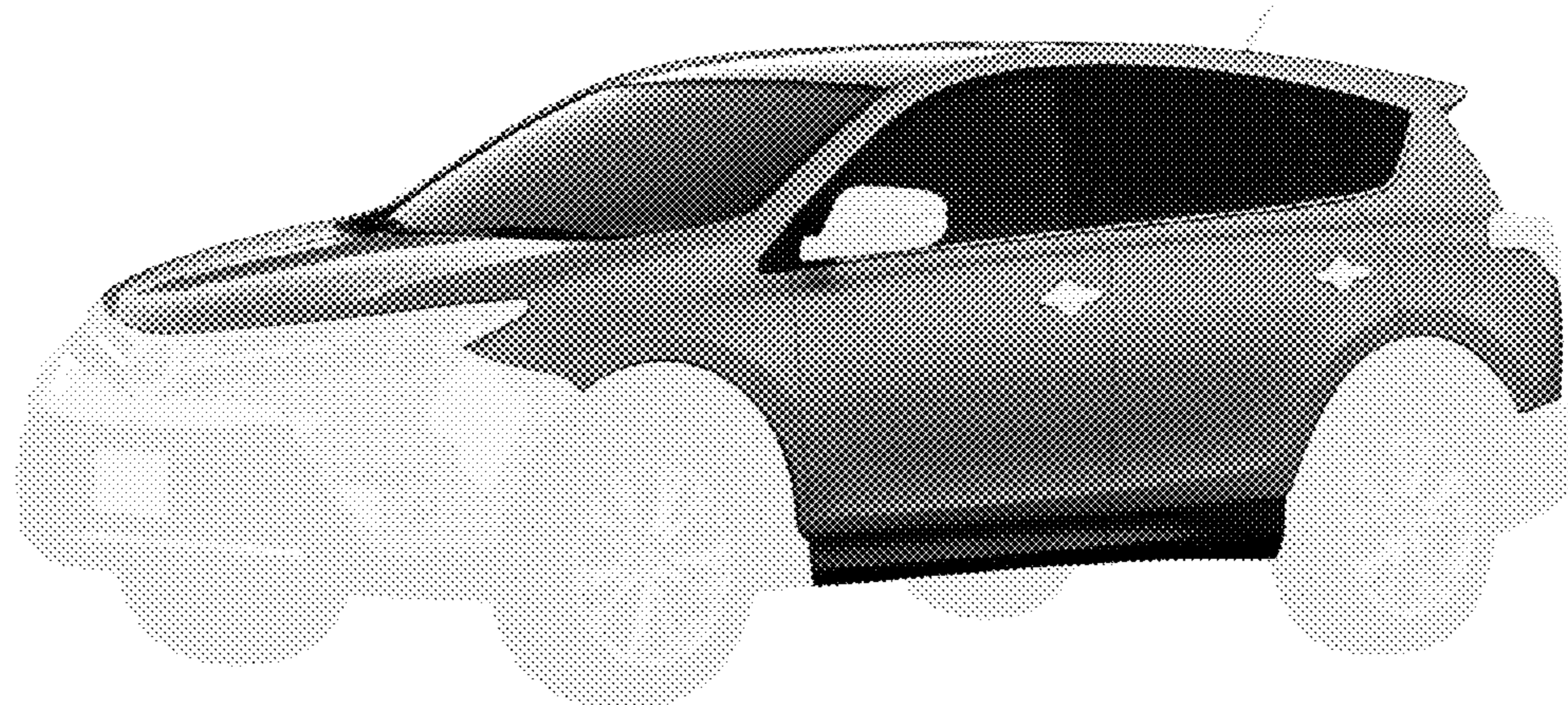
FIG. 4 is a rear view thereof;

FIG. 5 is a top view thereof; and,

FIG. 6 is a right side view thereof, the left side view being a mirror image.

The claimed design is indicated by the relatively dark portions in the figures, while the relatively light portions are environmental and form no part of the claimed design.

1 Claim, 5 Drawing Sheets



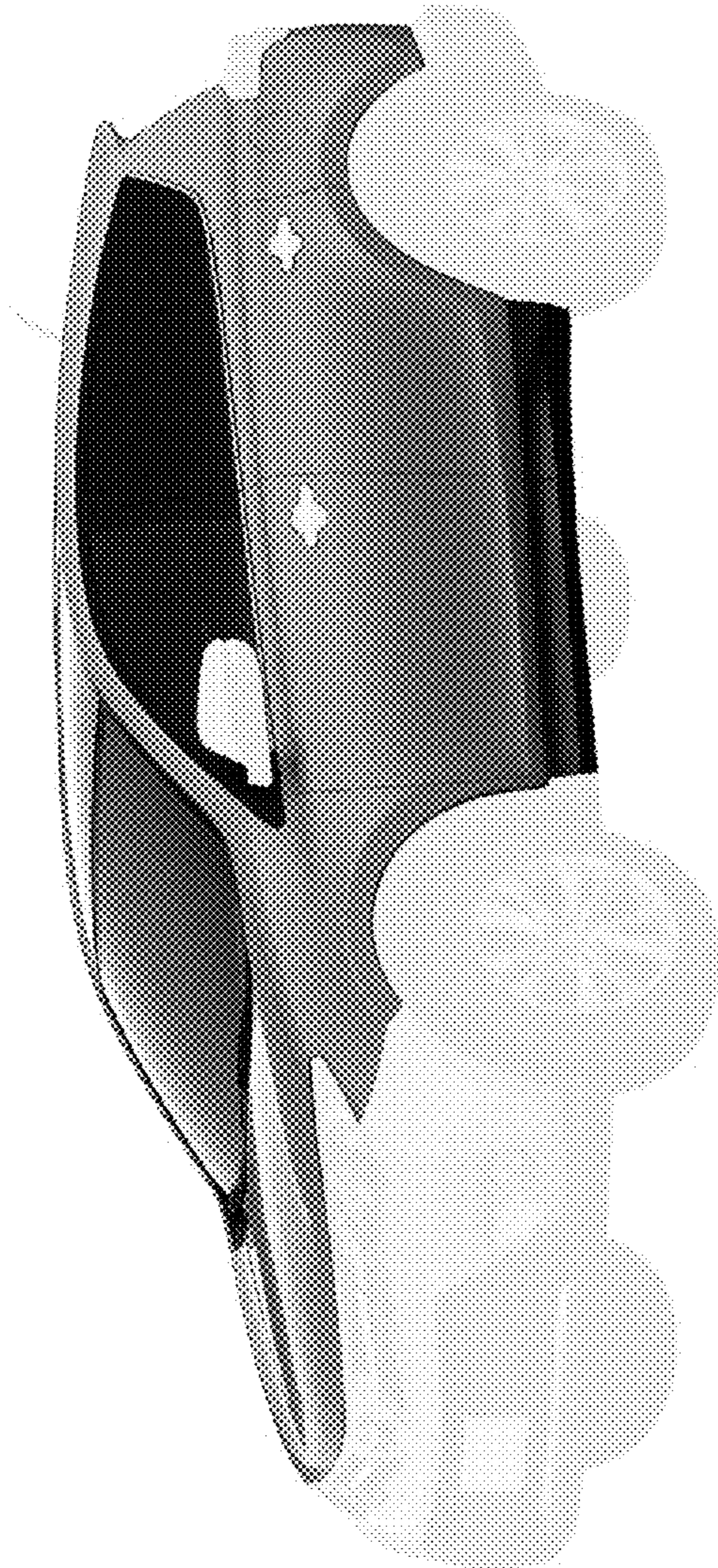


FIG. 1

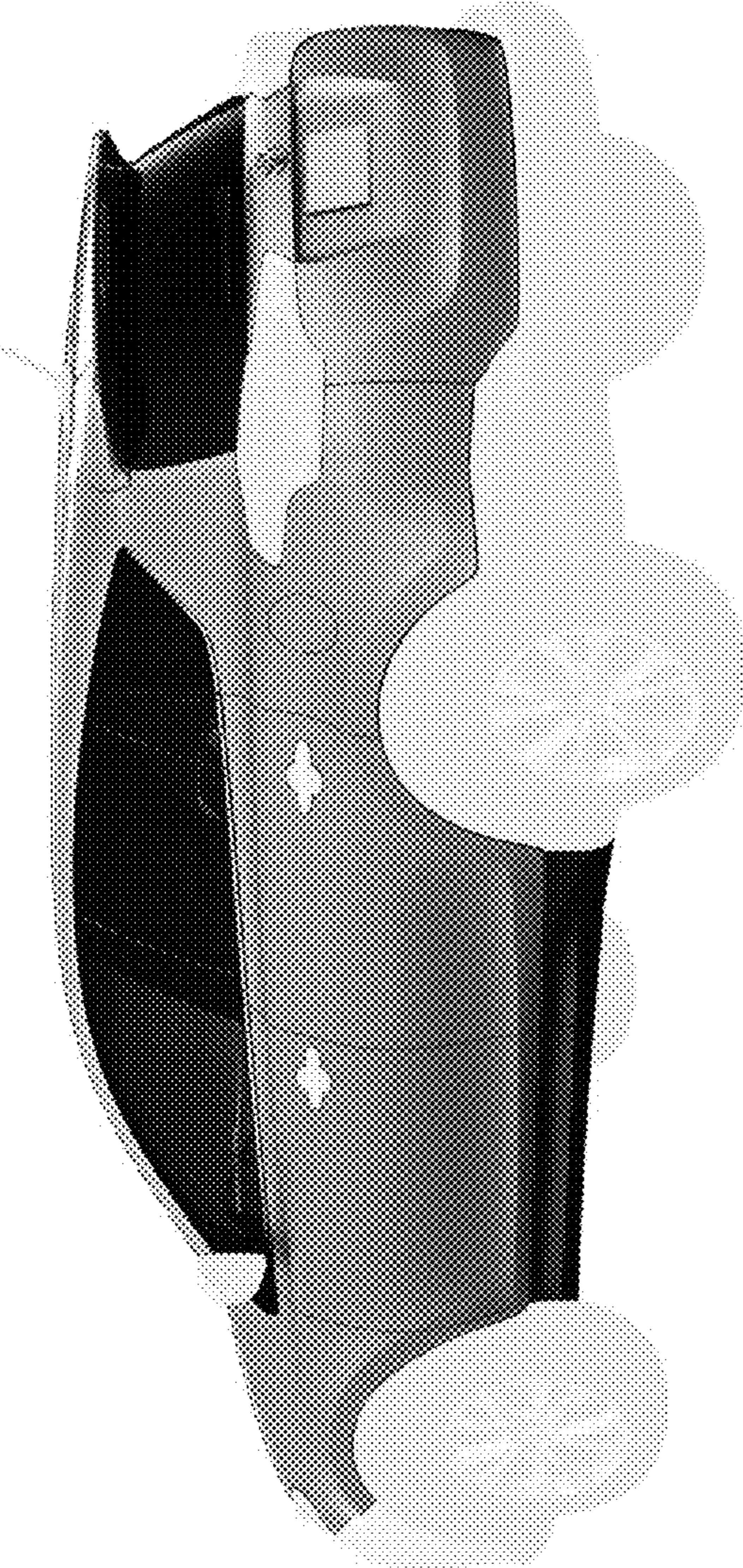


FIG. 2

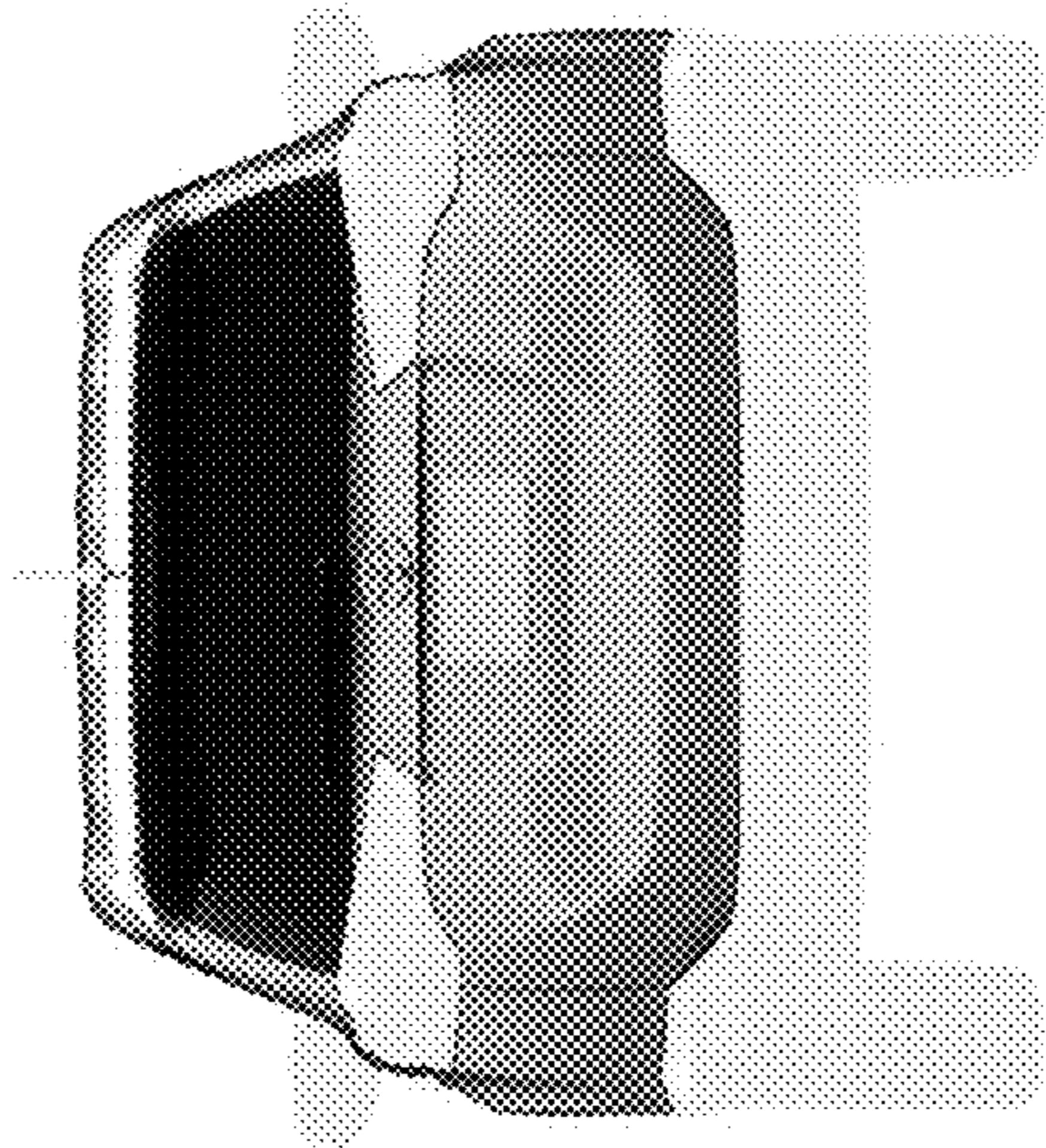


FIG. 4

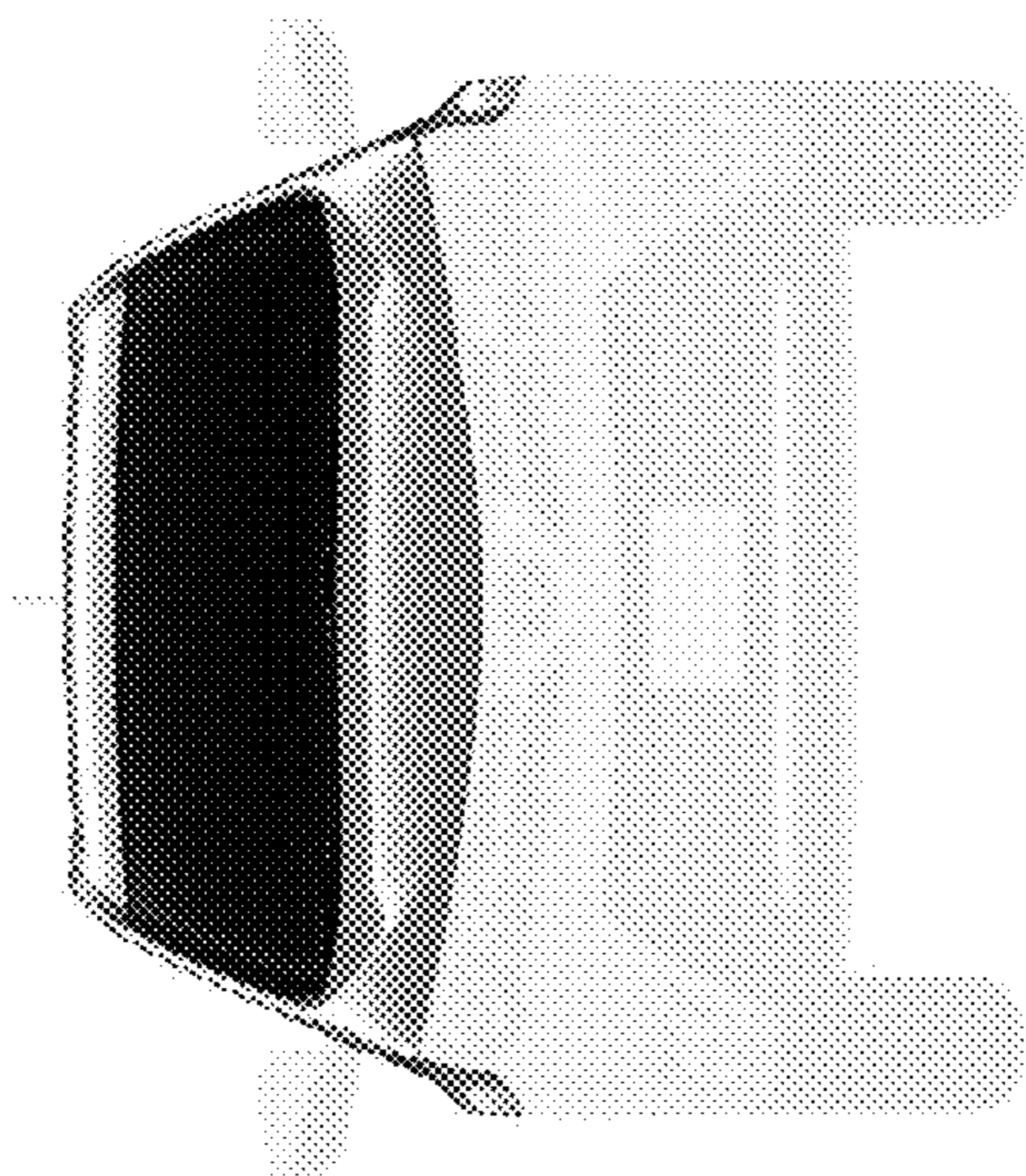


FIG. 3

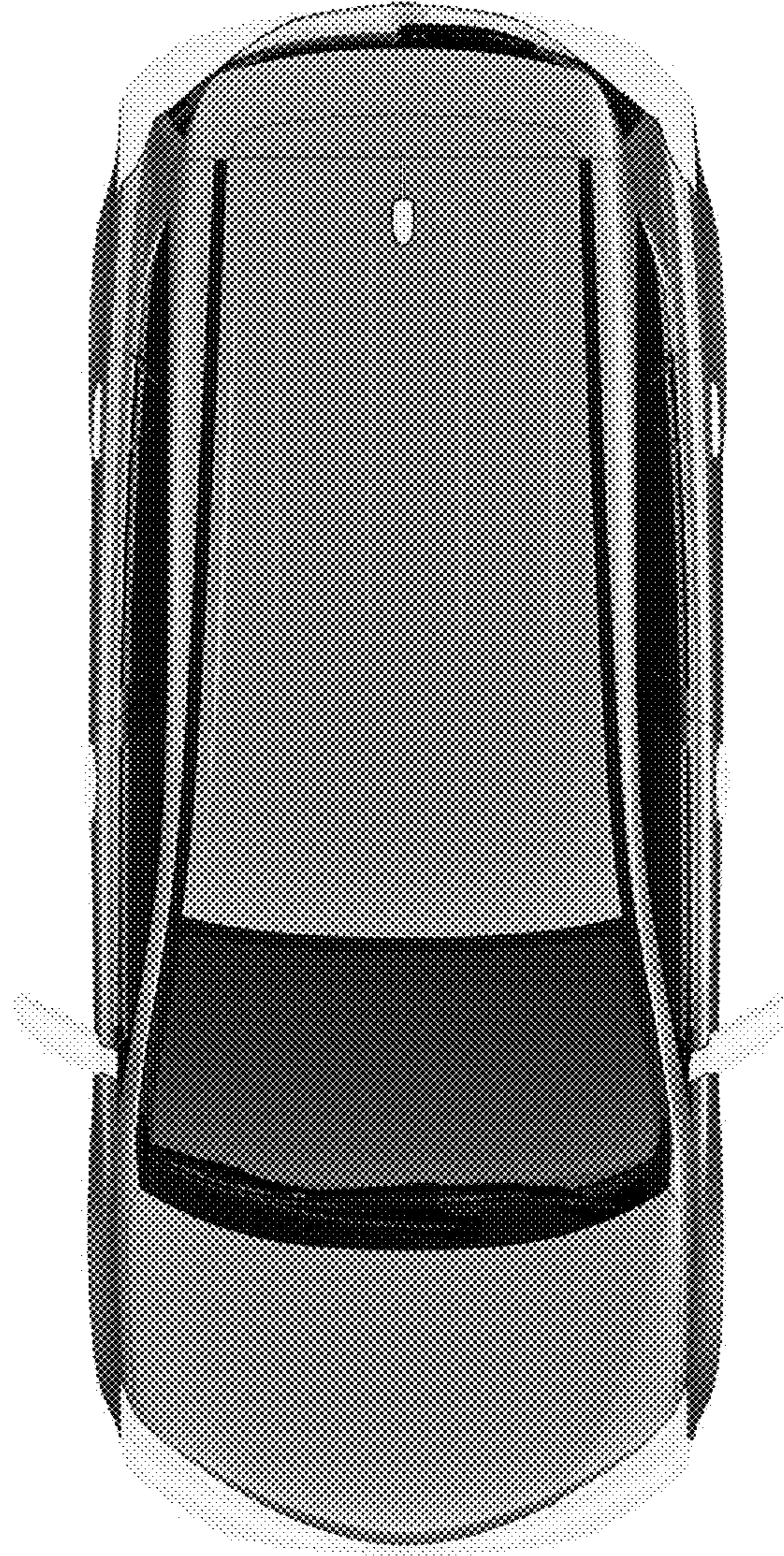


FIG. 5

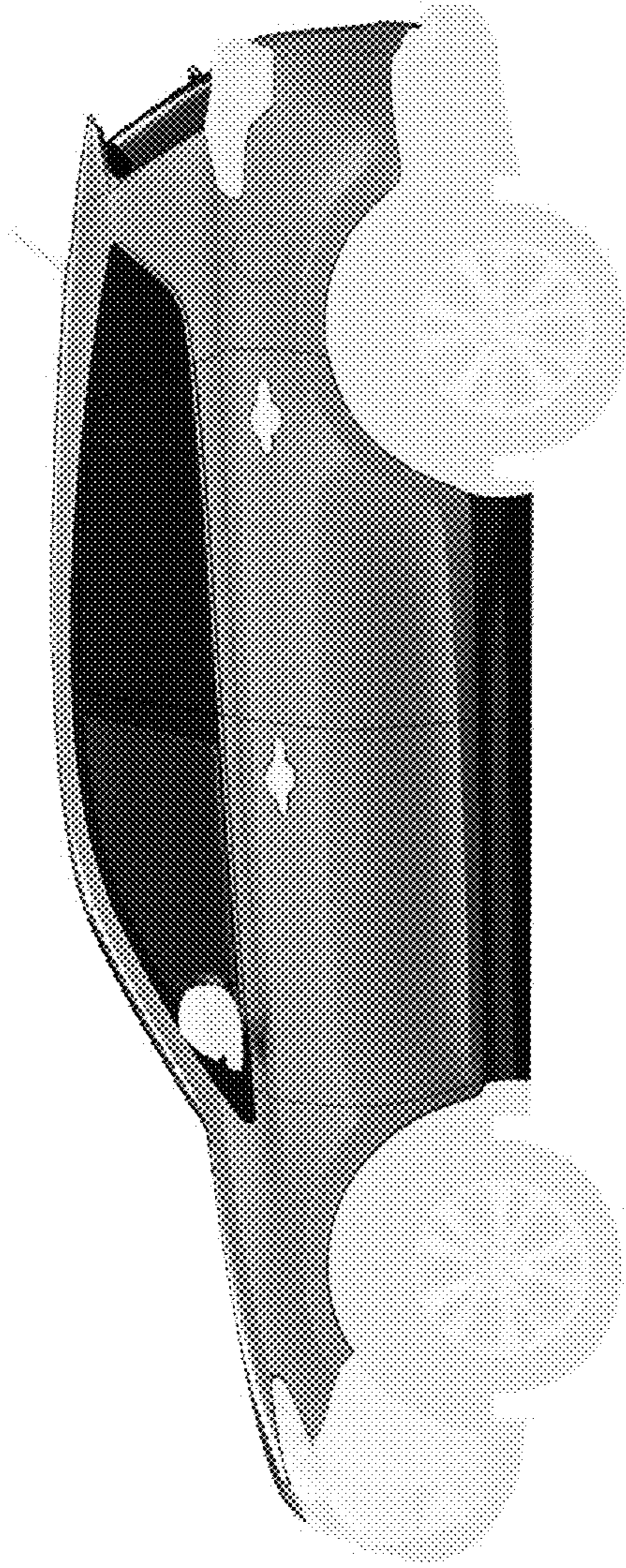


FIG. 6