



US00D699151S

(12) **United States Design Patent**
Kolasa

(10) **Patent No.:** **US D699,151 S**
(45) **Date of Patent:** **** Feb. 11, 2014**

(54) **MOUNTING BUCKLE ANCHOR DEVICE**

(56) **References Cited**

(75) **Inventor:** **Scott D. Kolasa**, Mount Prospect, IL
(US)

U.S. PATENT DOCUMENTS

D516,952 S * 3/2006 Kingsford et al. D11/200
D625,655 S * 10/2010 Kosh et al. D11/216
D687,509 S * 8/2013 Iannello et al. D22/108

(73) **Assignee:** **Illinois Tool Works Inc.**, Glenview, IL
(US)

OTHER PUBLICATIONS

Picture of Known Device.

(**) **Term:** **14 Years**

* cited by examiner

(21) **Appl. No.:** **29/427,215**

Primary Examiner — Ralf Seifert

(74) *Attorney, Agent, or Firm* — Mark W. Croll; Paul F. Donovan

(22) **Filed:** **Jul. 16, 2012**

(57) **CLAIM**

The ornamental design for a mounting buckle anchor device, as shown and described.

(51) **LOC (10) Cl.** **02-07**

(52) **U.S. Cl.**
USPC **D11/200**

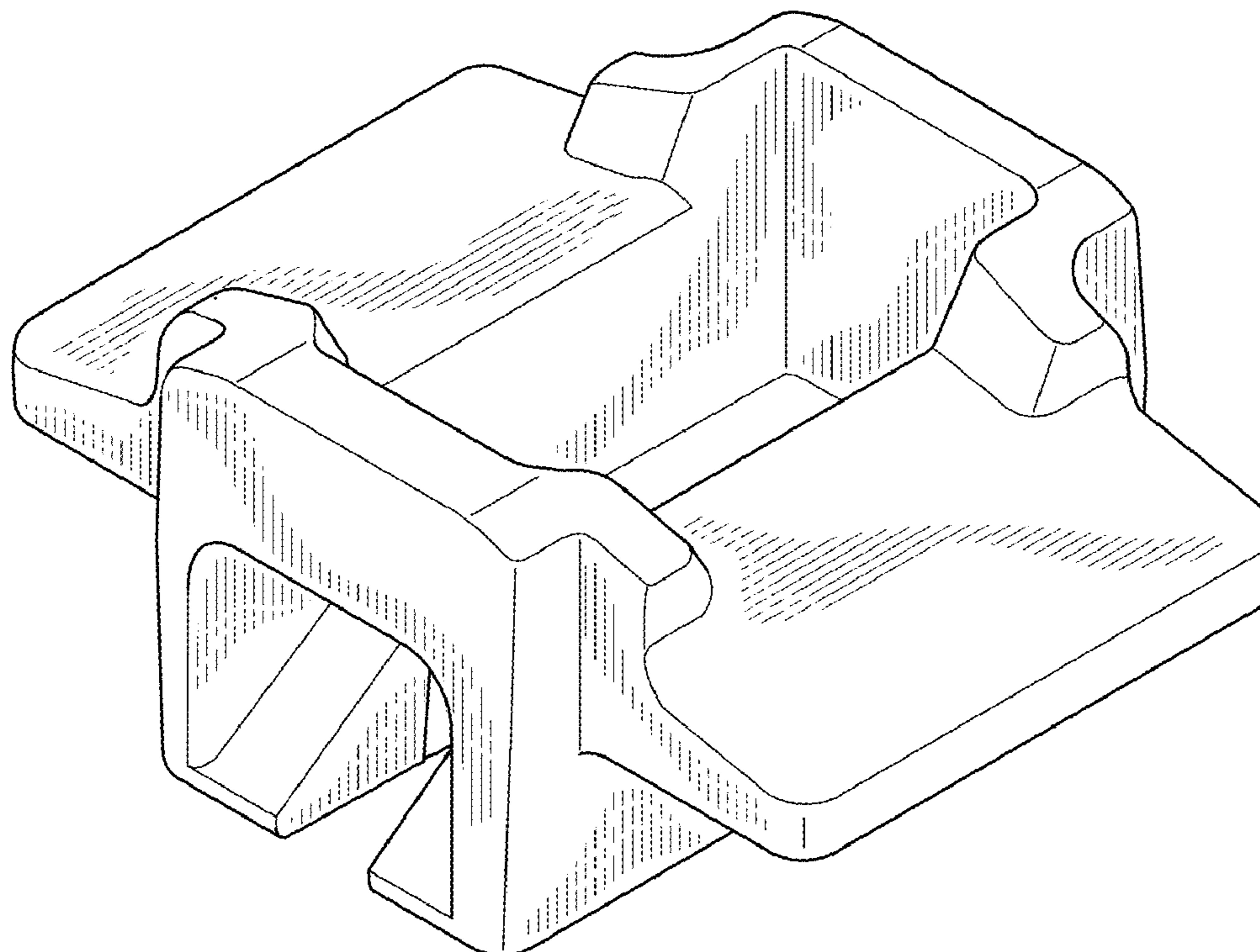
DESCRIPTION

(58) **Field of Classification Search**
USPC D11/1-2, 200-201, 206-210, 214-218;
24/163 R, 169-171, 173, 177-179, 191,
24/194-195, 197, 200, 614-616, 625,
24/198; D22/108

FIG. 1 is a perspective view of a mounting buckle anchor device showing my new design;
FIG. 2 is a bottom view thereof;
FIG. 3 is a top view thereof;
FIG. 4 is a left side thereof;
FIG. 5 is a right side view thereof;
FIG. 6 is a back view thereof; and,
FIG. 7 is a front view thereof.

See application file for complete search history.

1 Claim, 4 Drawing Sheets



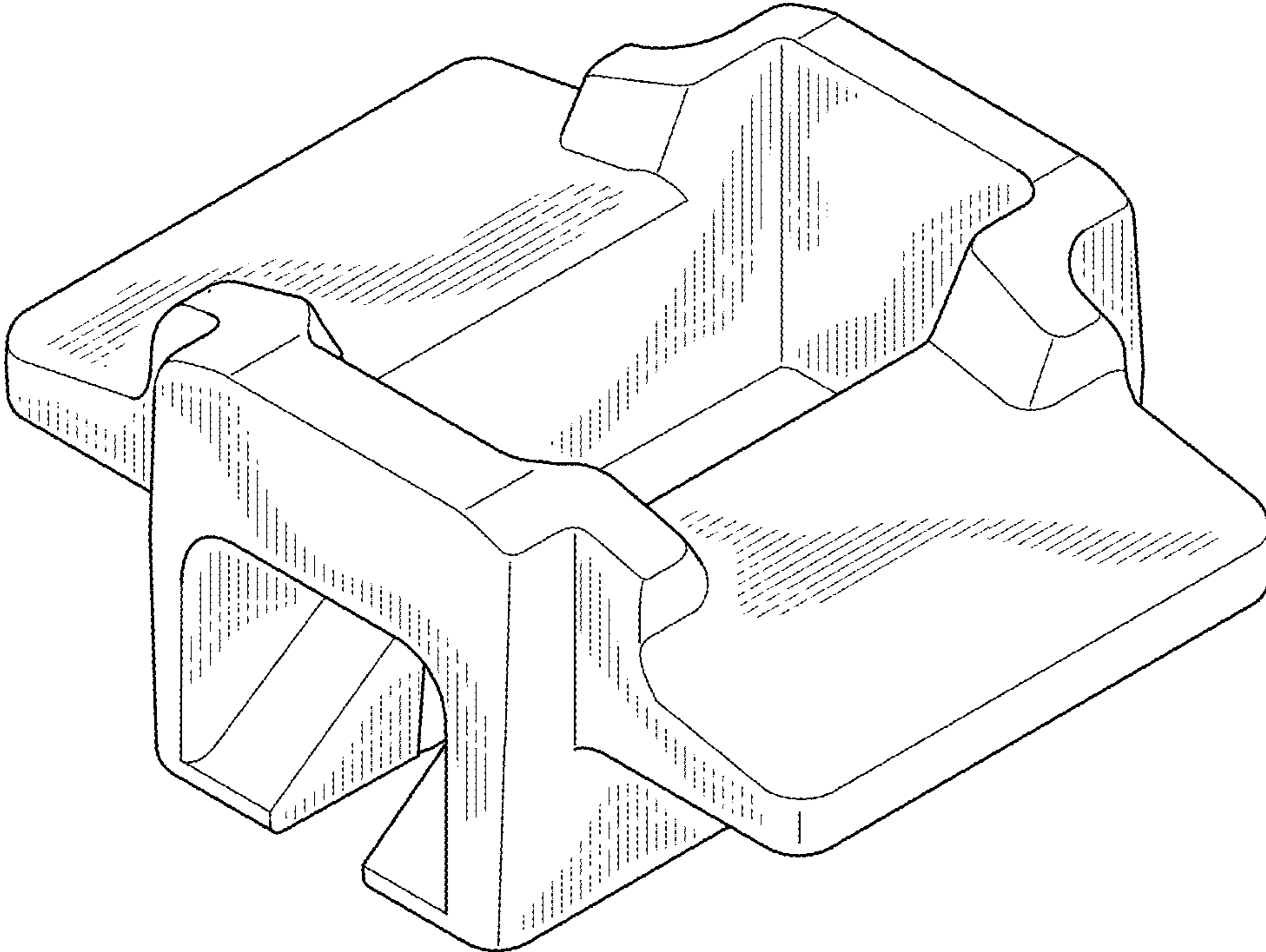


FIG. 1

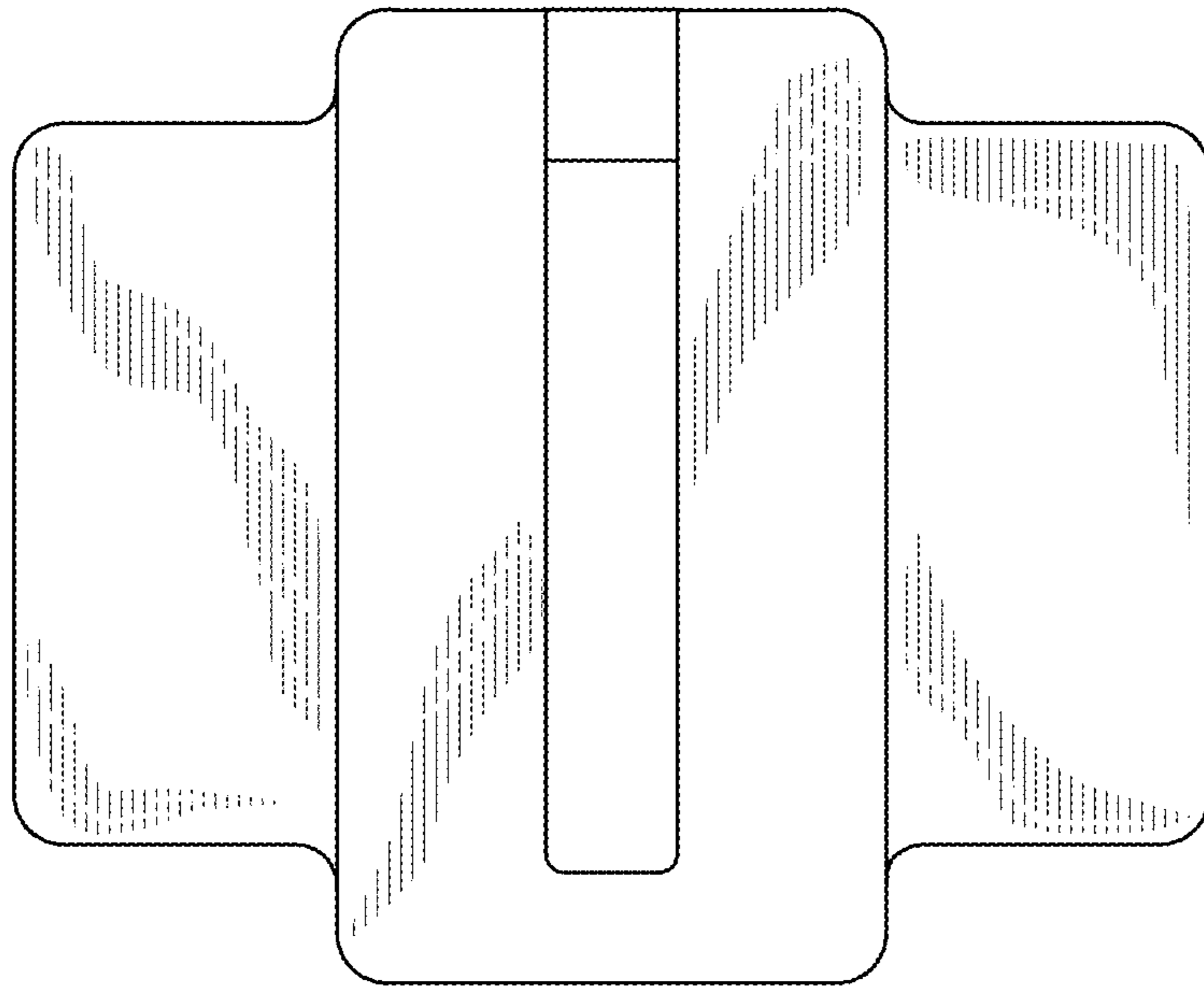


FIG. 2

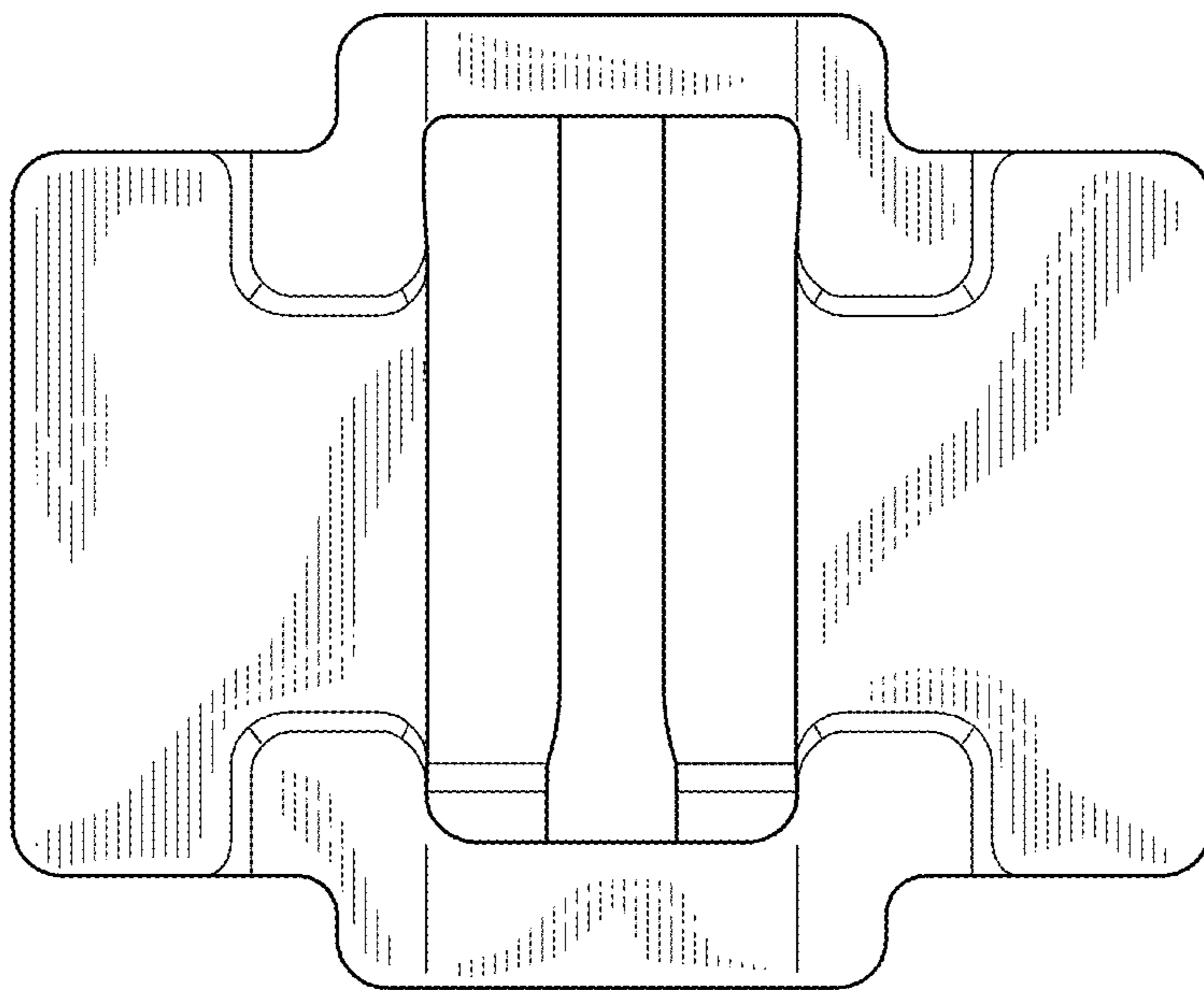


FIG. 3

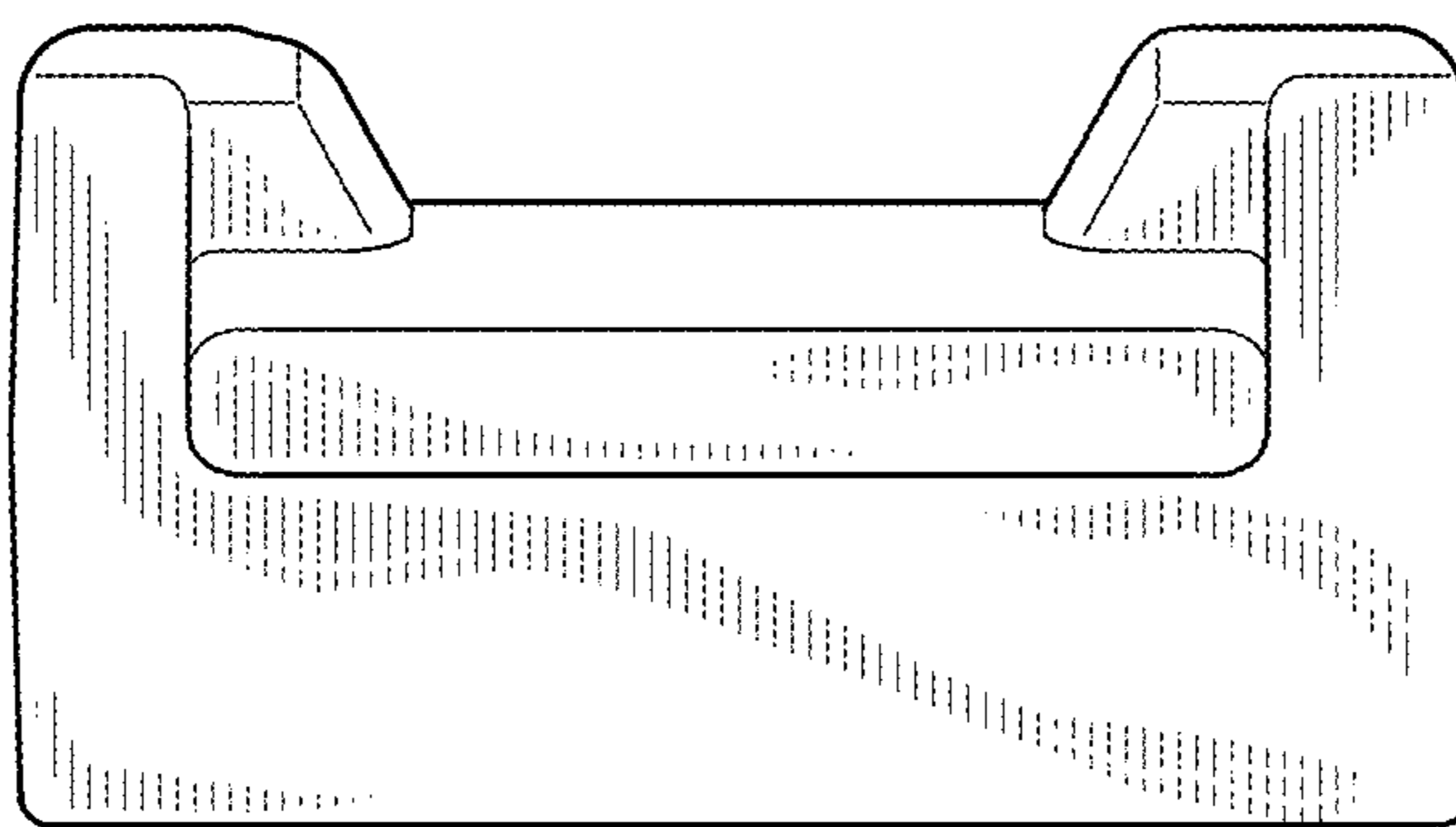


FIG. 4

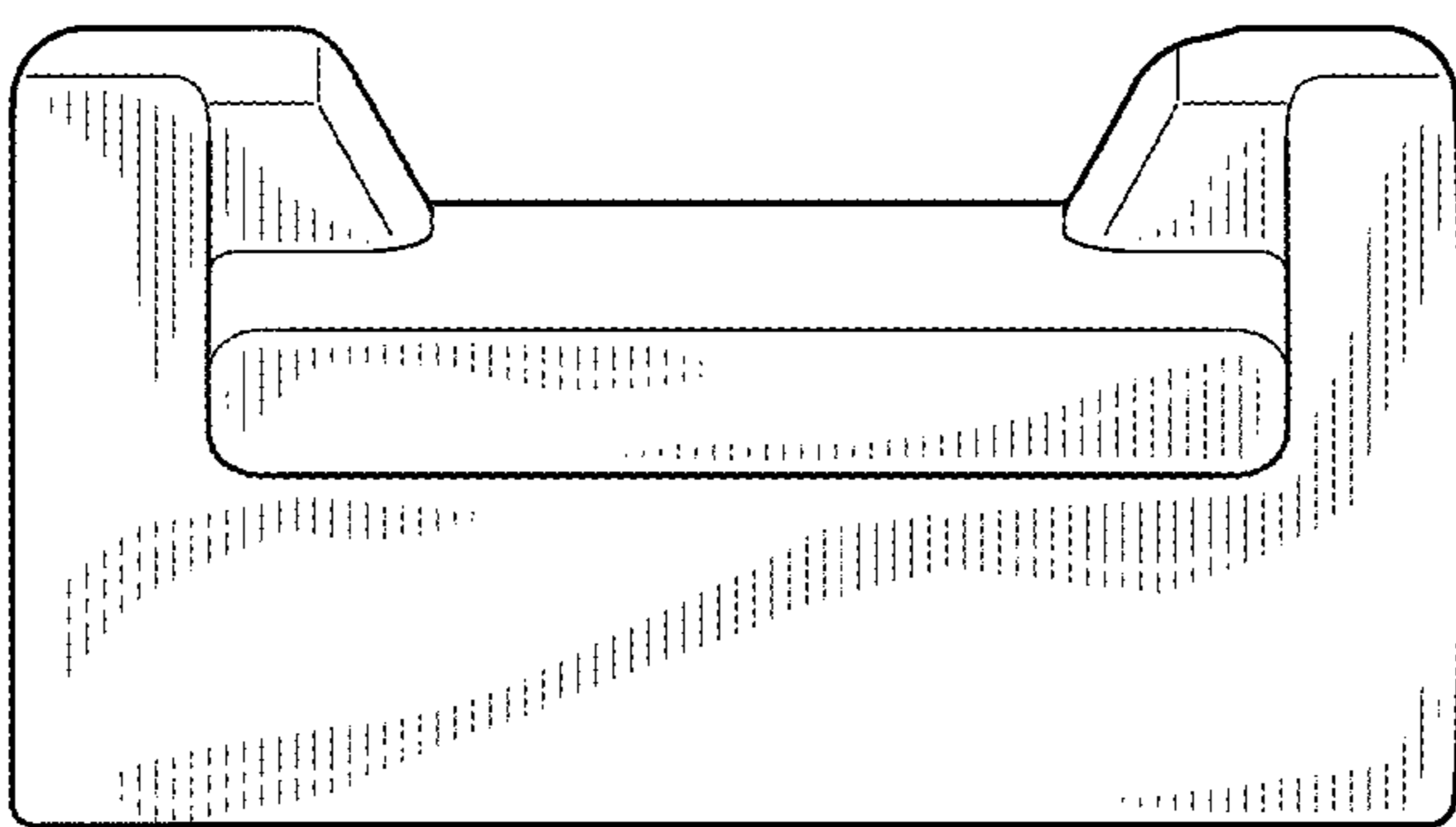


FIG. 5

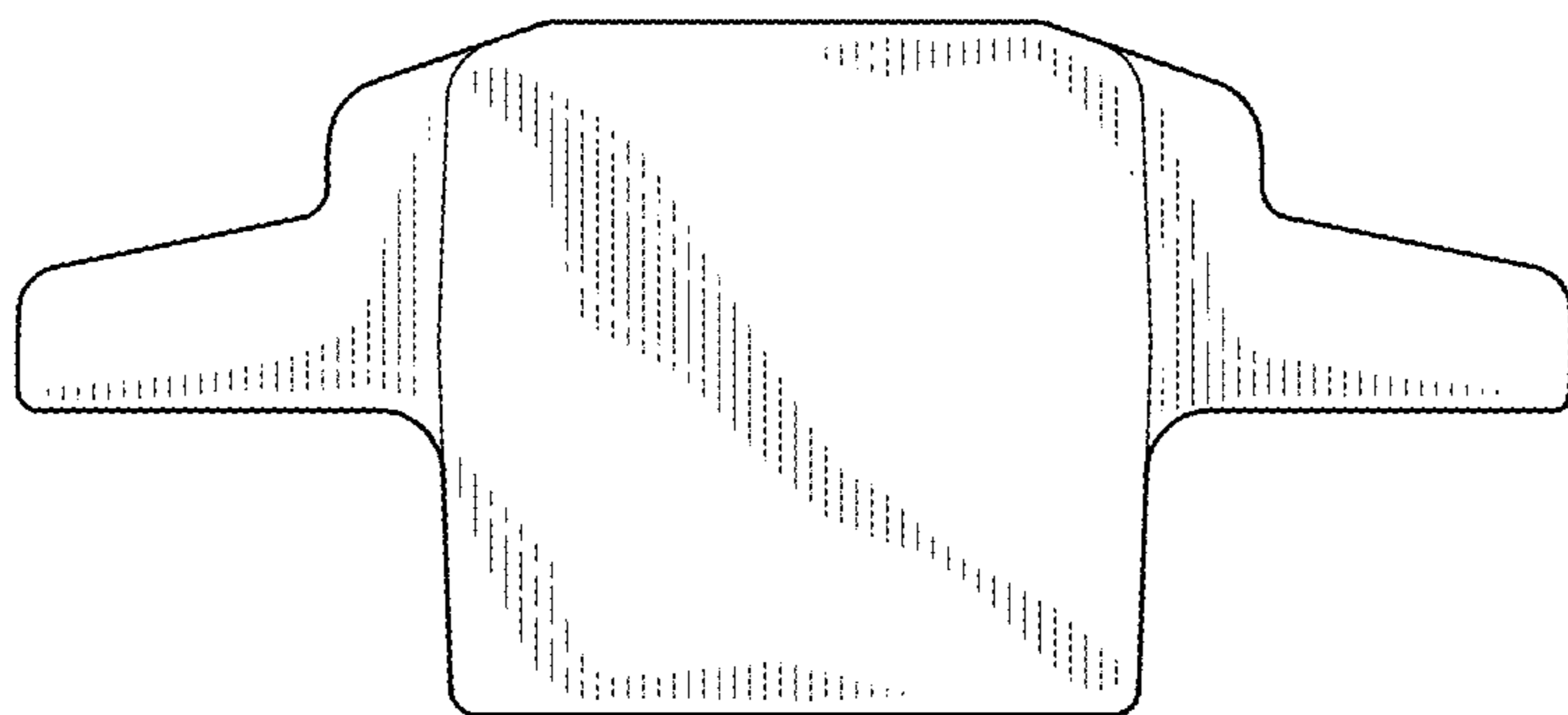


FIG. 6

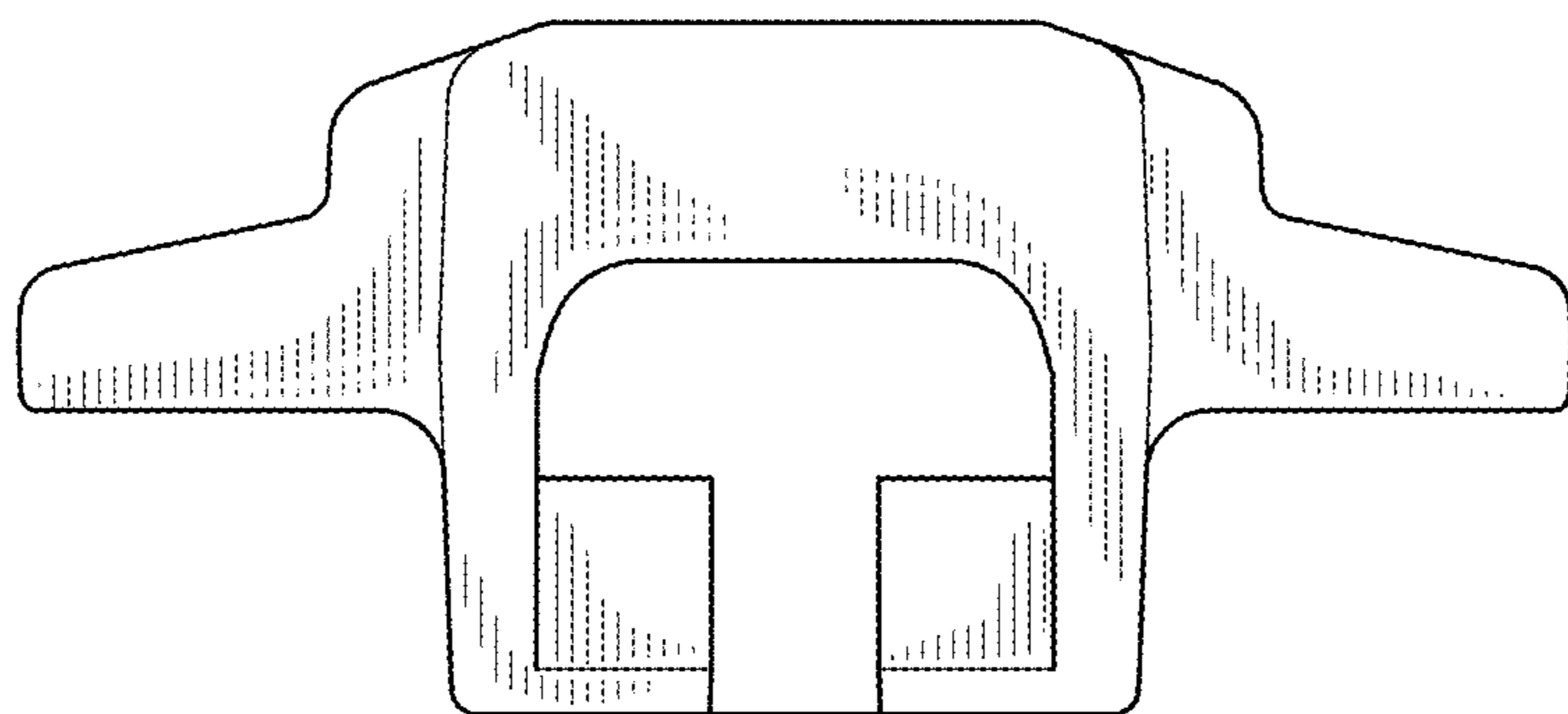


FIG. 7