



US00D699146S

(12) **United States Design Patent**
Dholakiya

(10) **Patent No.:** **US D699,146 S**
(45) **Date of Patent:** **** Feb. 11, 2014**

- (54) **GEMSTONE SETTING**
- (76) Inventor: **Hasmukh Dholakiya**, North Bergen, NJ
(US)
- (**) Term: **14 Years**
- (21) Appl. No.: **29/414,879**
- (22) Filed: **Mar. 5, 2012**
- (51) **LOC (10) Cl.** **11-01**
- (52) **U.S. Cl.**
USPC **D11/91**
- (58) **Field of Classification Search**
USPC D11/1, 2, 86–91, 34–43, 79, 80, 222,
D11/47, 75, 26–33, 56, 92; 63/12, 13, 14,
63/18, 26–28, 29.1, 29.2, 31, 32, 1.11, 30
See application file for complete search history.

D677,599	S	*	3/2013	Dholakiya	D11/91
D680,026	S	*	4/2013	Wong et al.	D11/91
D680,896	S	*	4/2013	Wong et al.	D11/91
D680,897	S	*	4/2013	Li	D11/91
D680,898	S	*	4/2013	Dholakiya	D11/91
2009/0056376	A1	*	3/2009	Lin	63/28

* cited by examiner

Primary Examiner — Jennifer Rivard
Assistant Examiner — Melanie Pellegrini
(74) *Attorney, Agent, or Firm* — Jennifer Meredith, Esq.;
Meredith & Keyhani, PLLC

(57) **CLAIM**
I claim the ornamental design for the gemstone setting, as shown and described.

DESCRIPTION

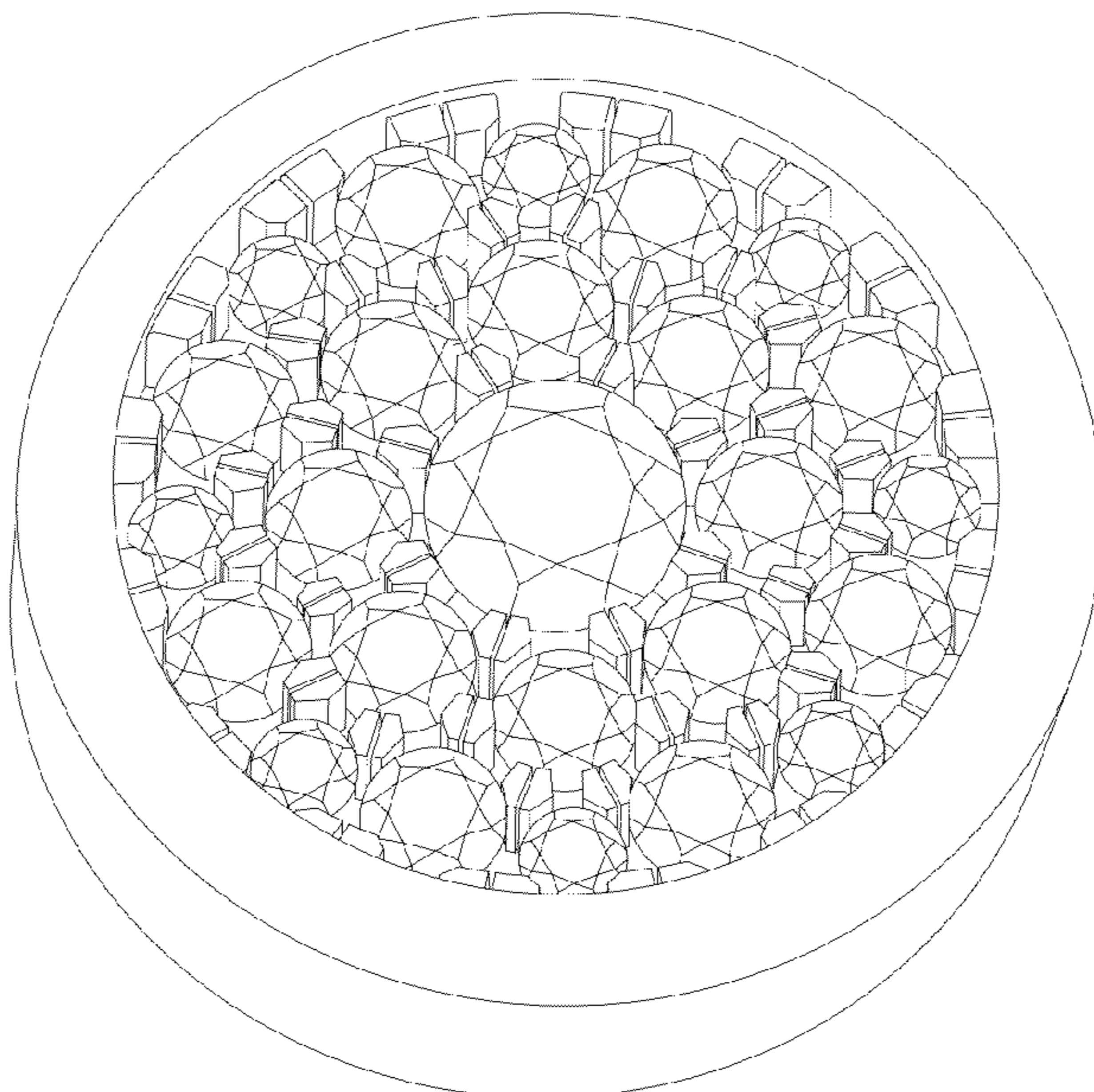
FIG. 1 is a top plan view of a gemstone setting showing my new design;
 FIG. 2 is a bottom plan view thereof;
 FIG. 3 is a side elevational view thereof;
 FIG. 4 is an opposite side elevational view of FIG. 3;
 FIG. 5 is a top perspective view thereof;
 FIG. 6 is another top perspective view thereof;
 FIG. 7 is an additional top perspective view thereof;
 FIG. 8 is a top perspective view with the gemstones removed for completeness of illustration;
 FIG. 9 is a top perspective view thereof shown in an alternate environment;
 FIG. 10 is a top perspective view thereof shown in an alternate environment; and,
 FIG. 11 is a side perspective view thereof shown in an alternate environment.
 The broken lines shown in FIG. 2 represent unclaimed portions of the design and the broken lines shown in FIGS. 9-11 represent environmental matter and form no part of the claimed design.

(56) **References Cited**

U.S. PATENT DOCUMENTS

D549,612	S	*	8/2007	Kothari	D11/91
D553,543	S	*	10/2007	Kothari	D11/92
7,461,452	B1	*	12/2008	Kothari	63/28
D587,159	S	*	2/2009	Dholakiya	D11/91
7,762,104	B2	*	7/2010	Lin	63/28
D624,845	S	*	10/2010	Shah	D11/91
D641,651	S	*	7/2011	Kothari	D11/91
D642,087	S	*	7/2011	Kothari	D11/91
D643,327	S	*	8/2011	Kothari	D11/91
D643,767	S	*	8/2011	Kothari	D11/34
D647,817	S	*	11/2011	Kothari	D11/91
D648,650	S	*	11/2011	Roehl et al.	D11/91
D648,651	S	*	11/2011	Sin	D11/91
D650,308	S	*	12/2011	Roehl et al.	D11/91
D654,394	S	*	2/2012	Kothari	D11/91
D655,219	S	*	3/2012	Kothari	D11/91
D657,710	S	*	4/2012	Shah	D11/91
D666,521	S	*	9/2012	Yakubovich et al.	D11/91
D672,269	S	*	12/2012	Wong et al.	D11/91
D674,315	S	*	1/2013	Dholakiya	D11/91

1 Claim, 7 Drawing Sheets



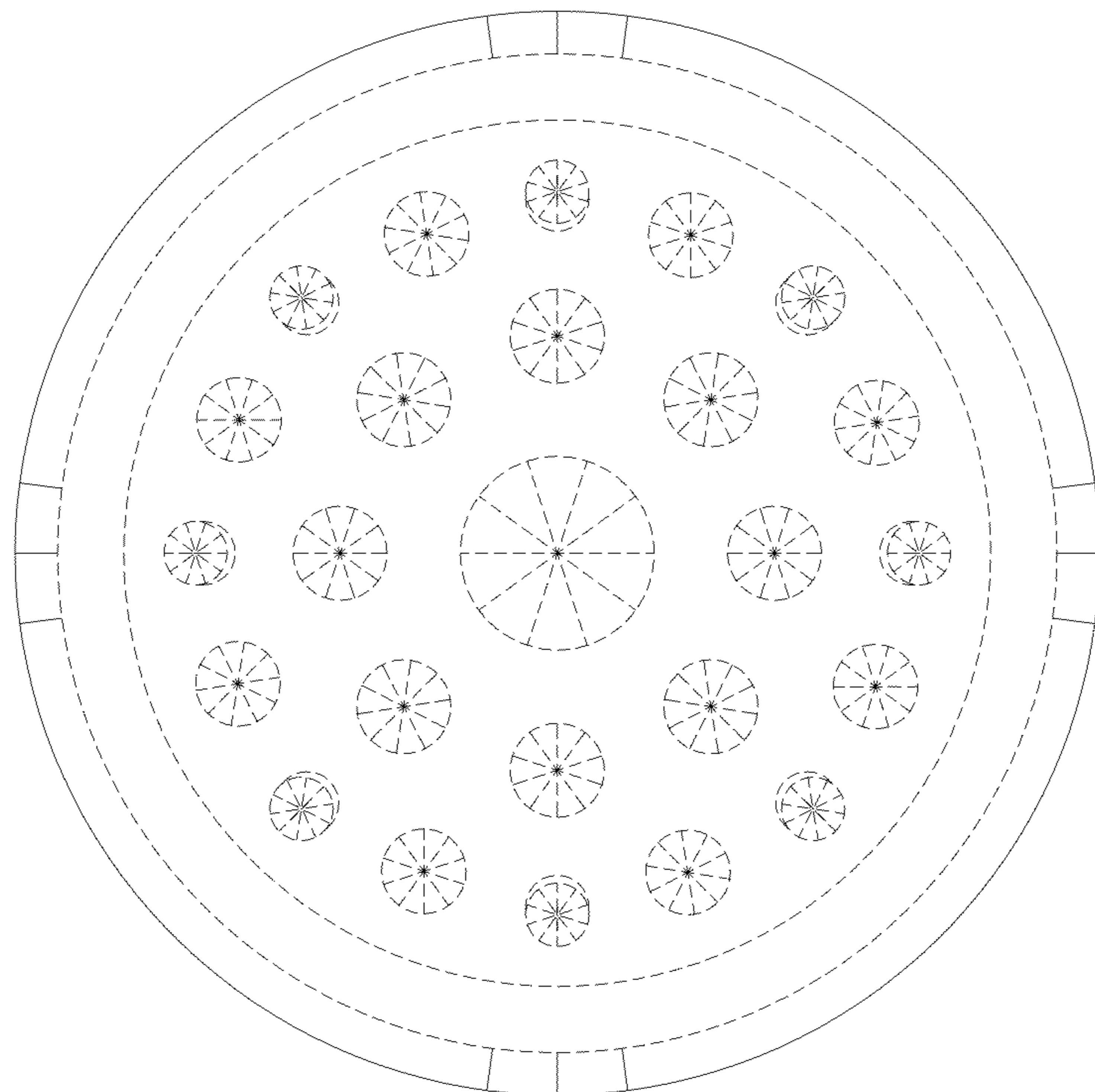


FIG. 1

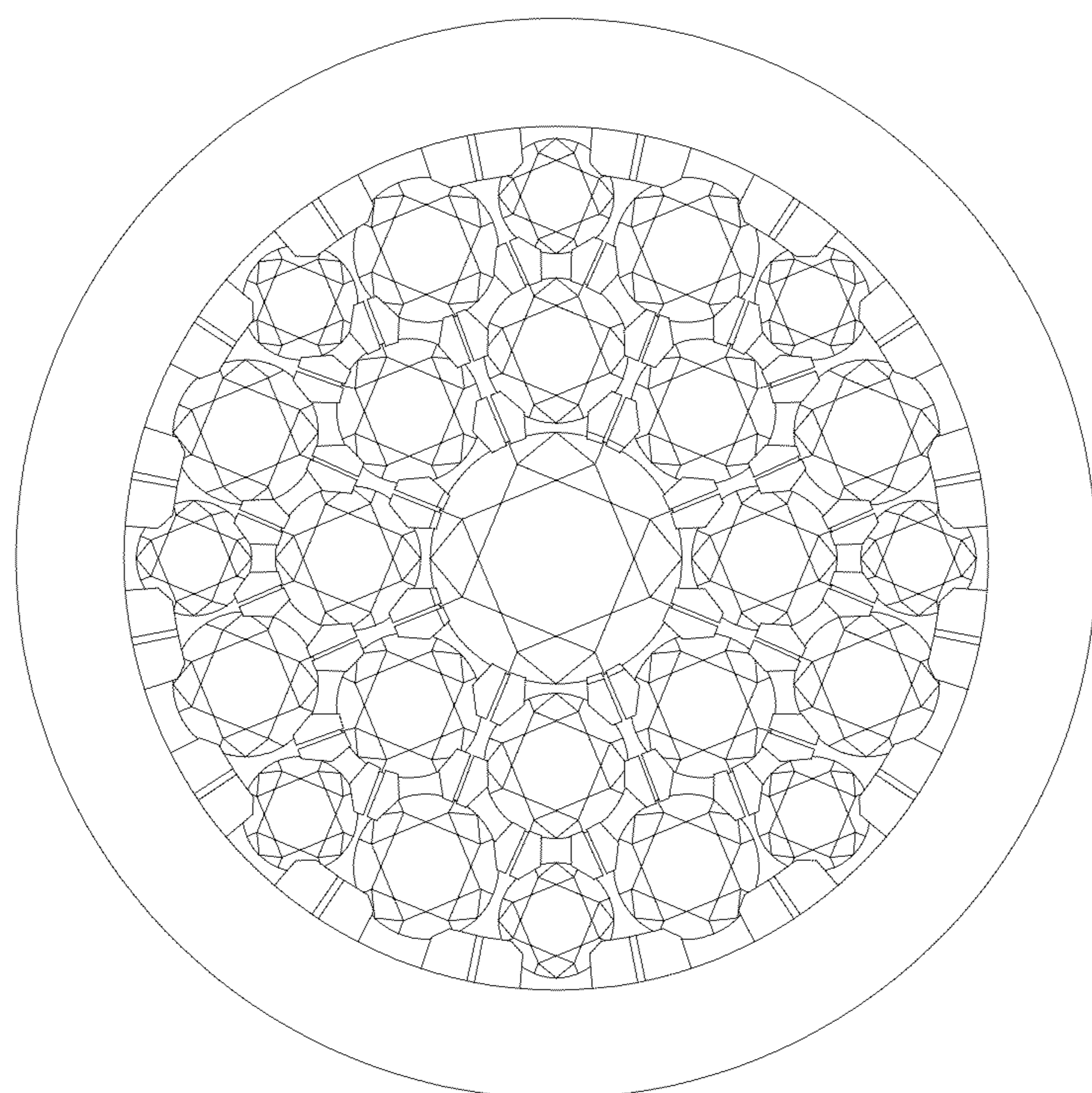


FIG. 2

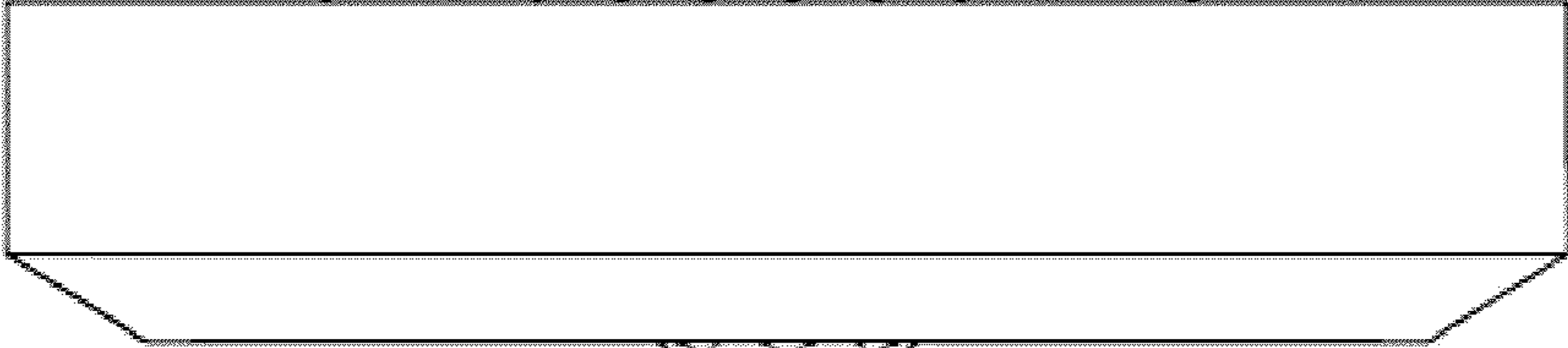


Fig. 4

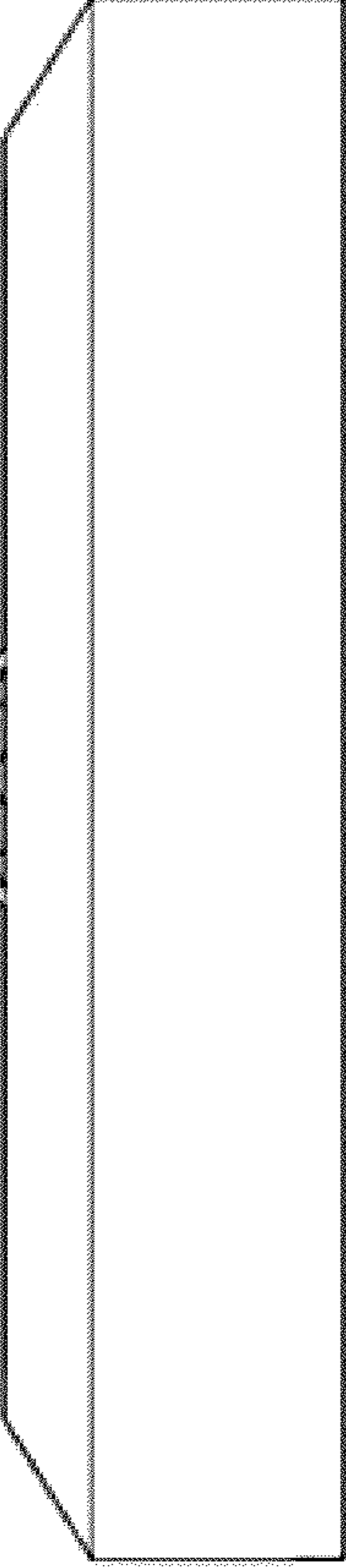


Fig. 3

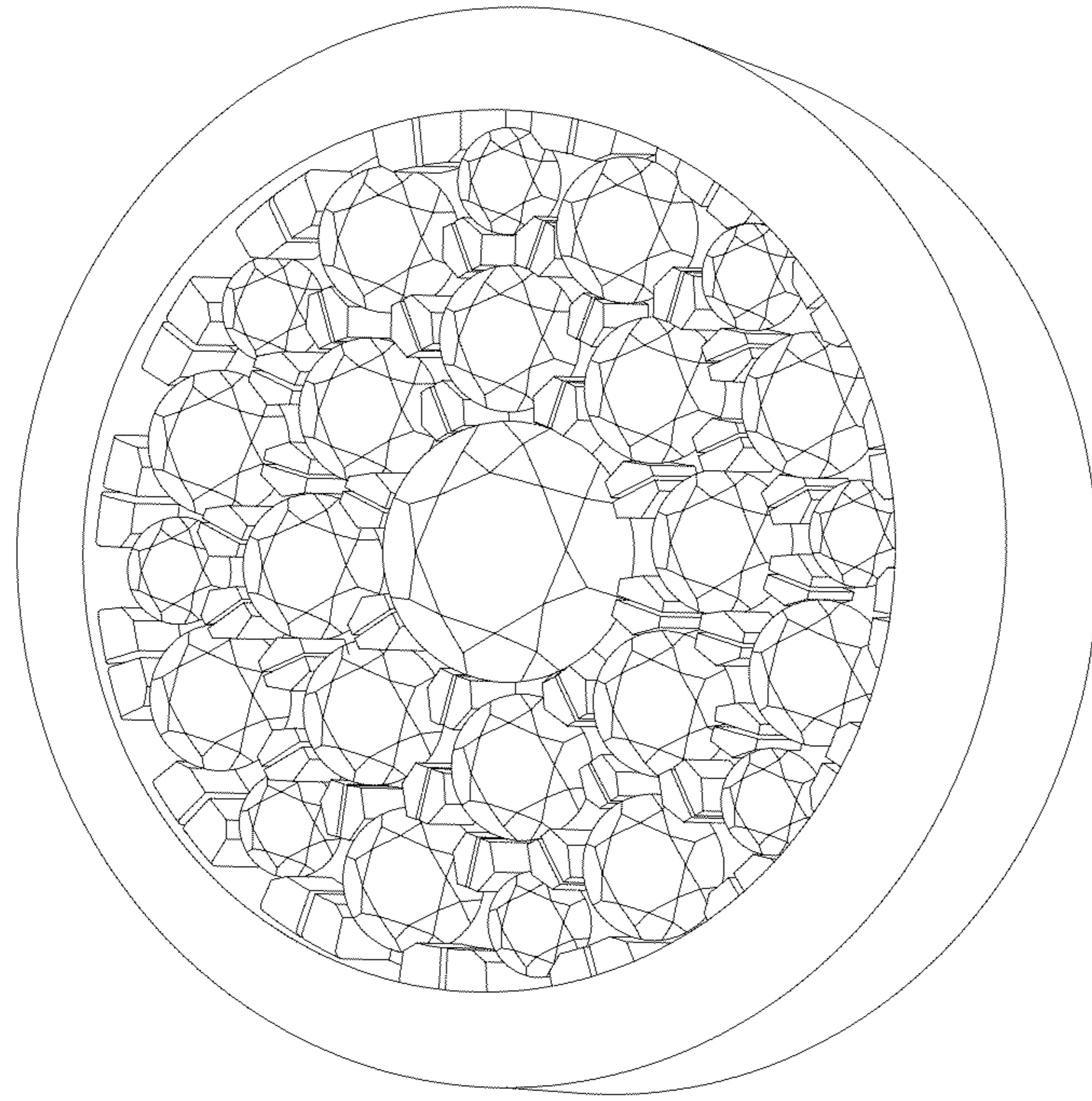


FIG. 6

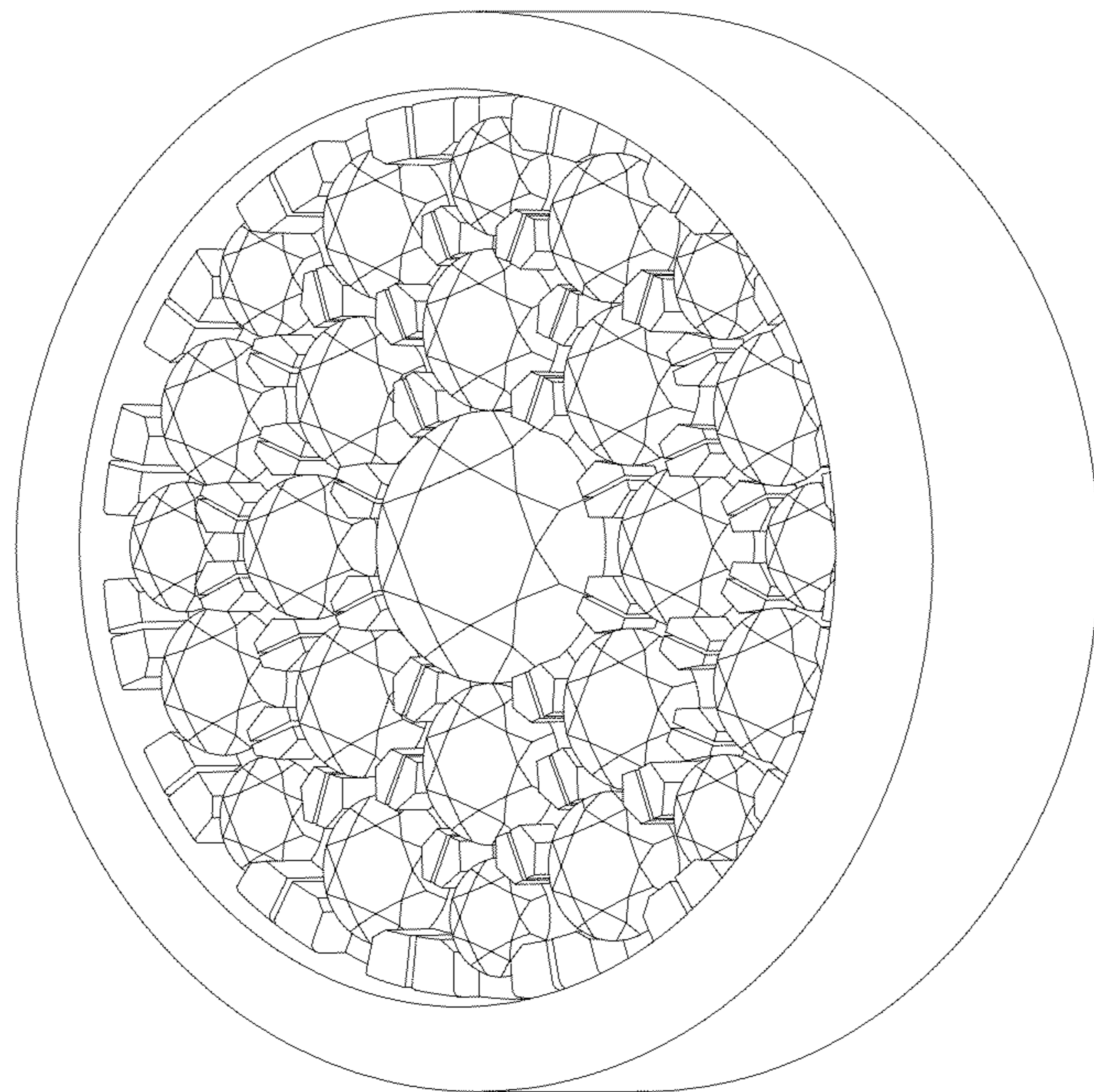


FIG. 5

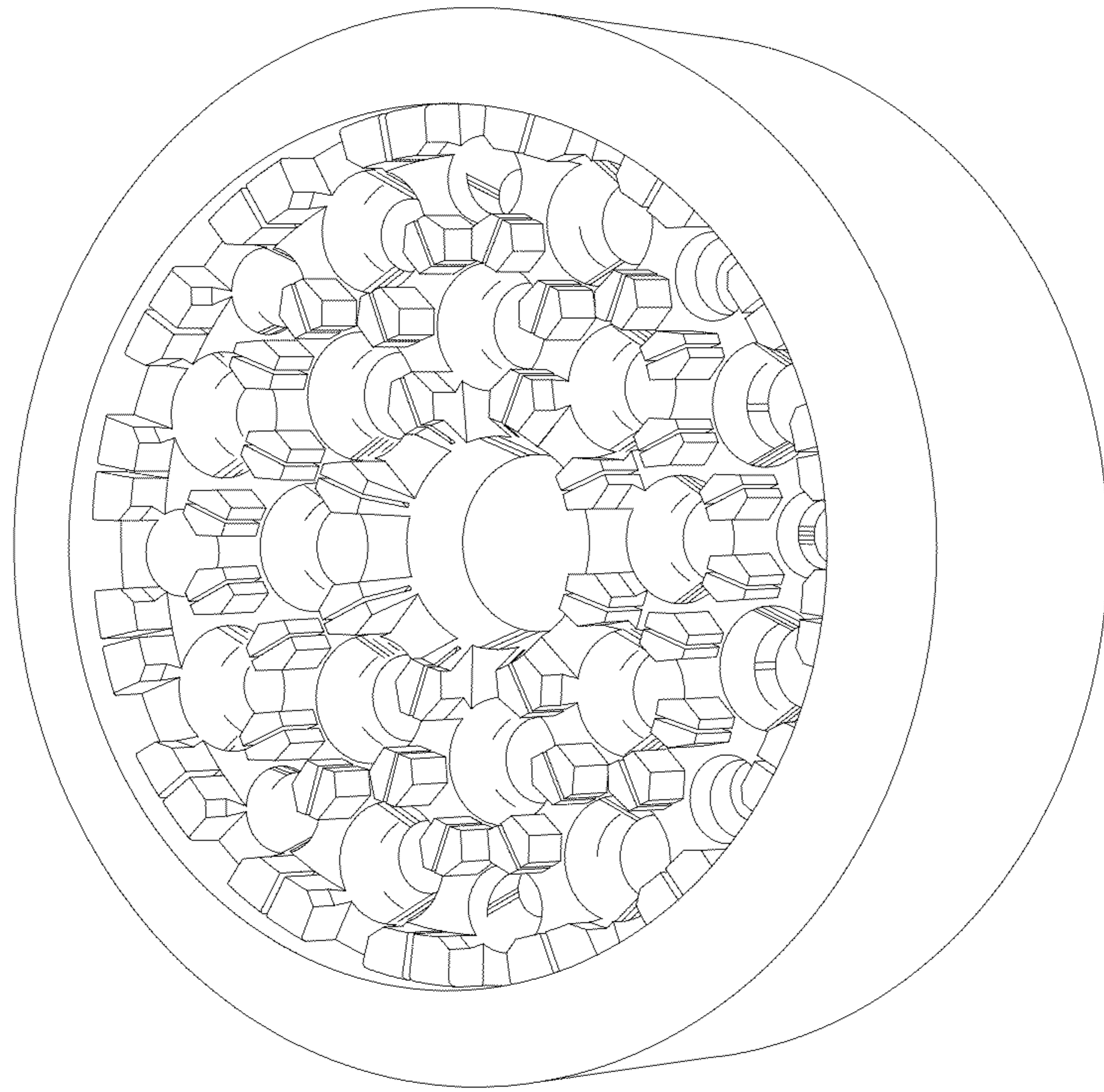


FIG. 8

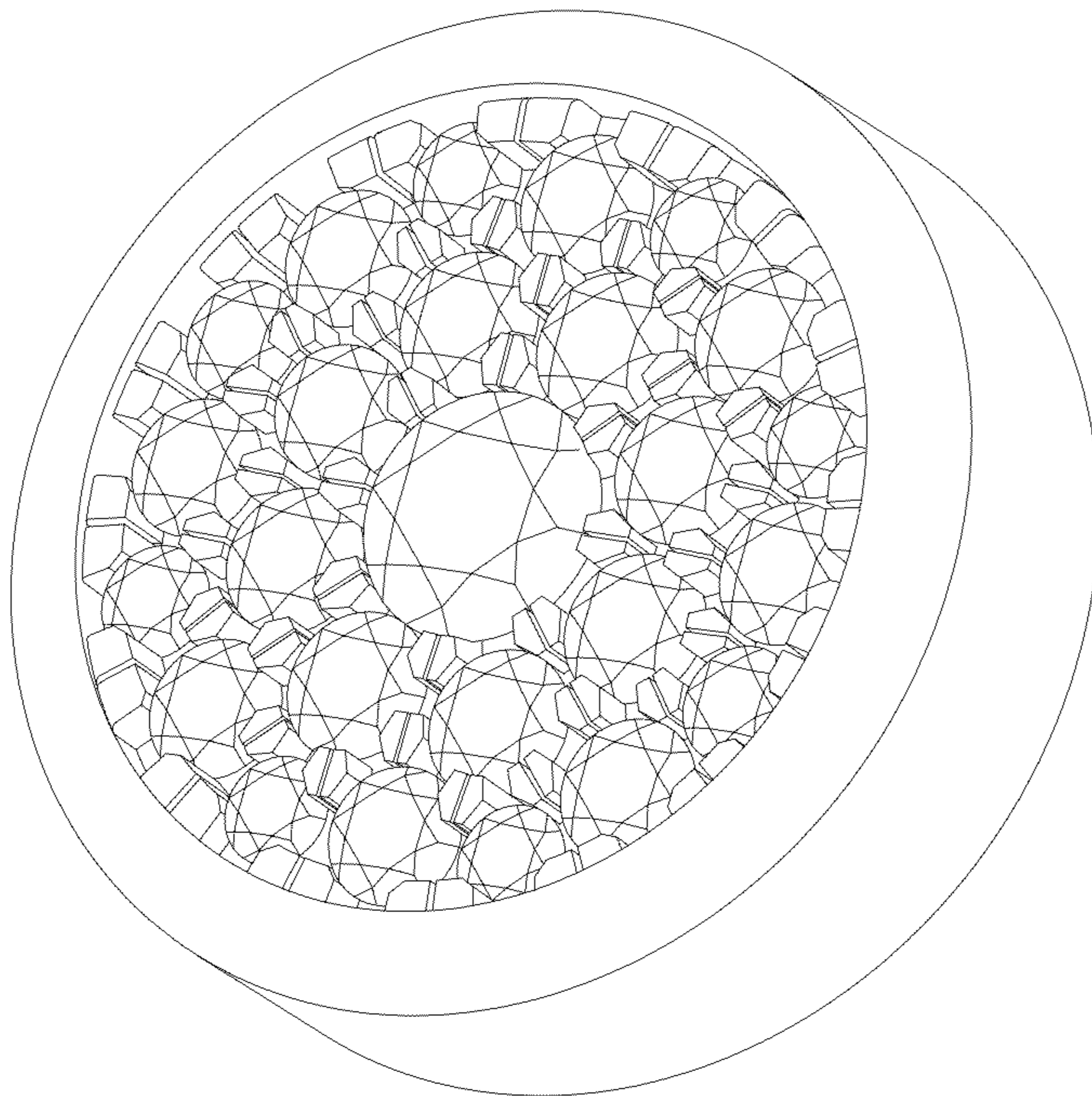


FIG. 7

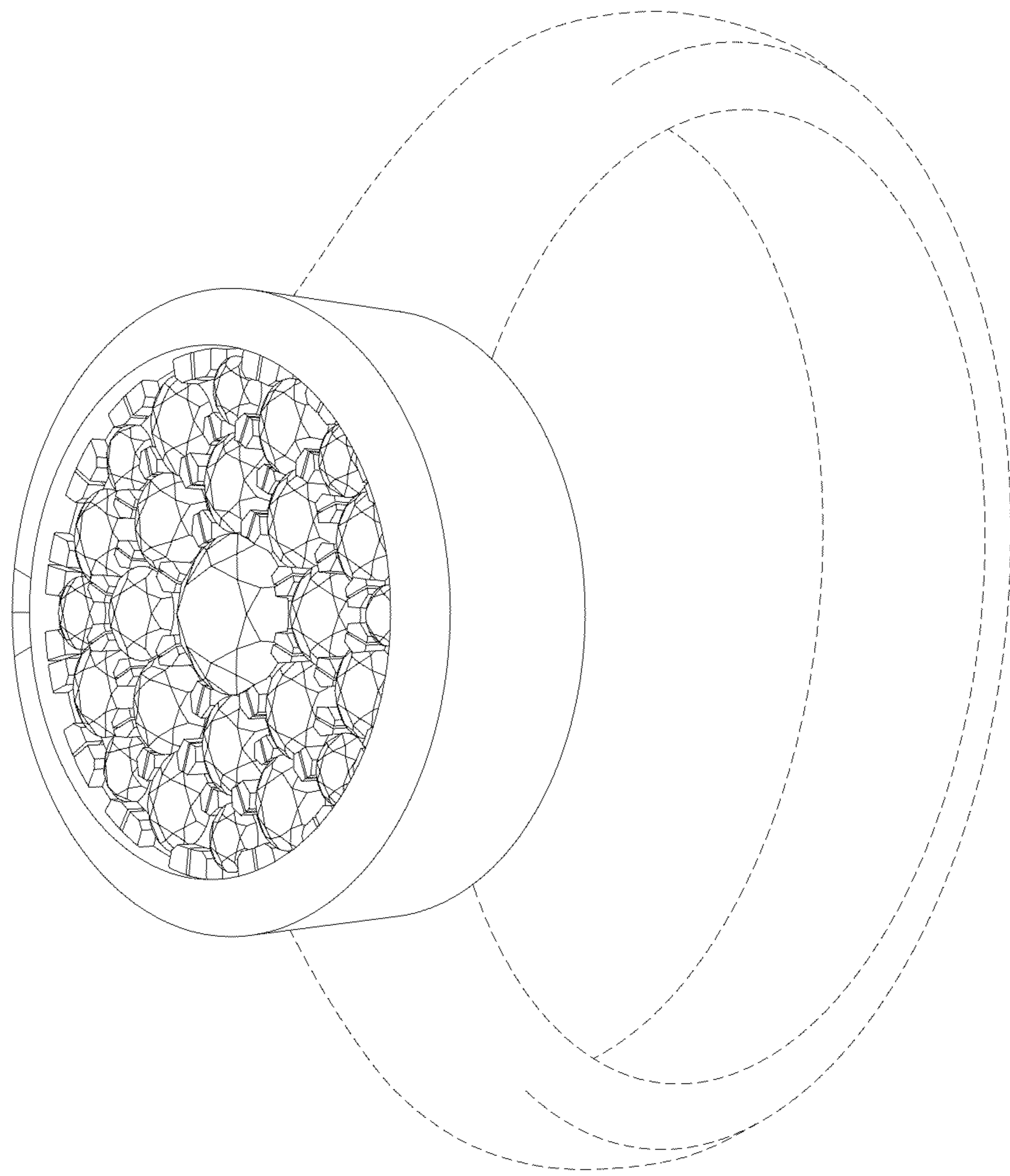


FIG. 9

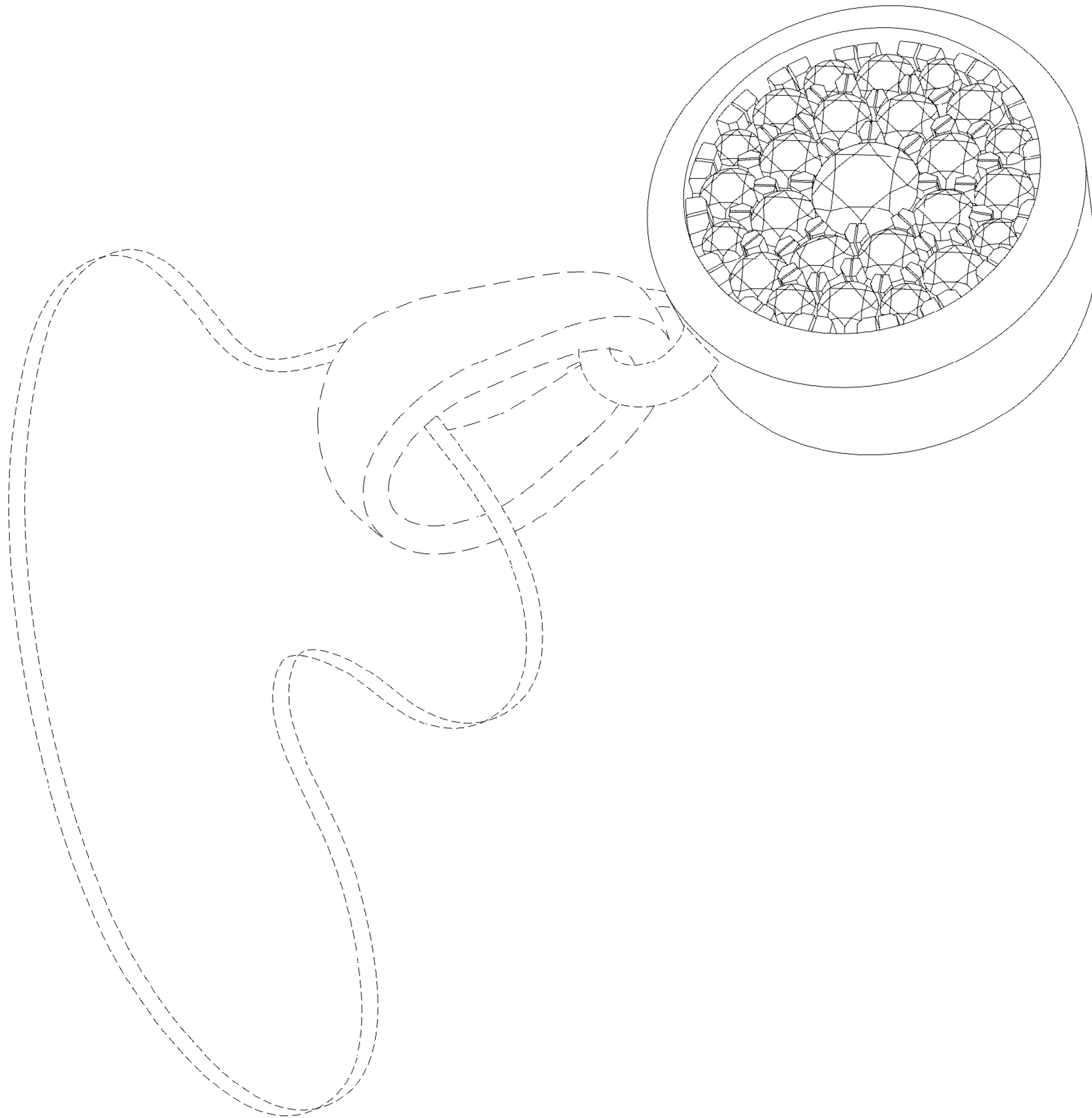


FIG. 10

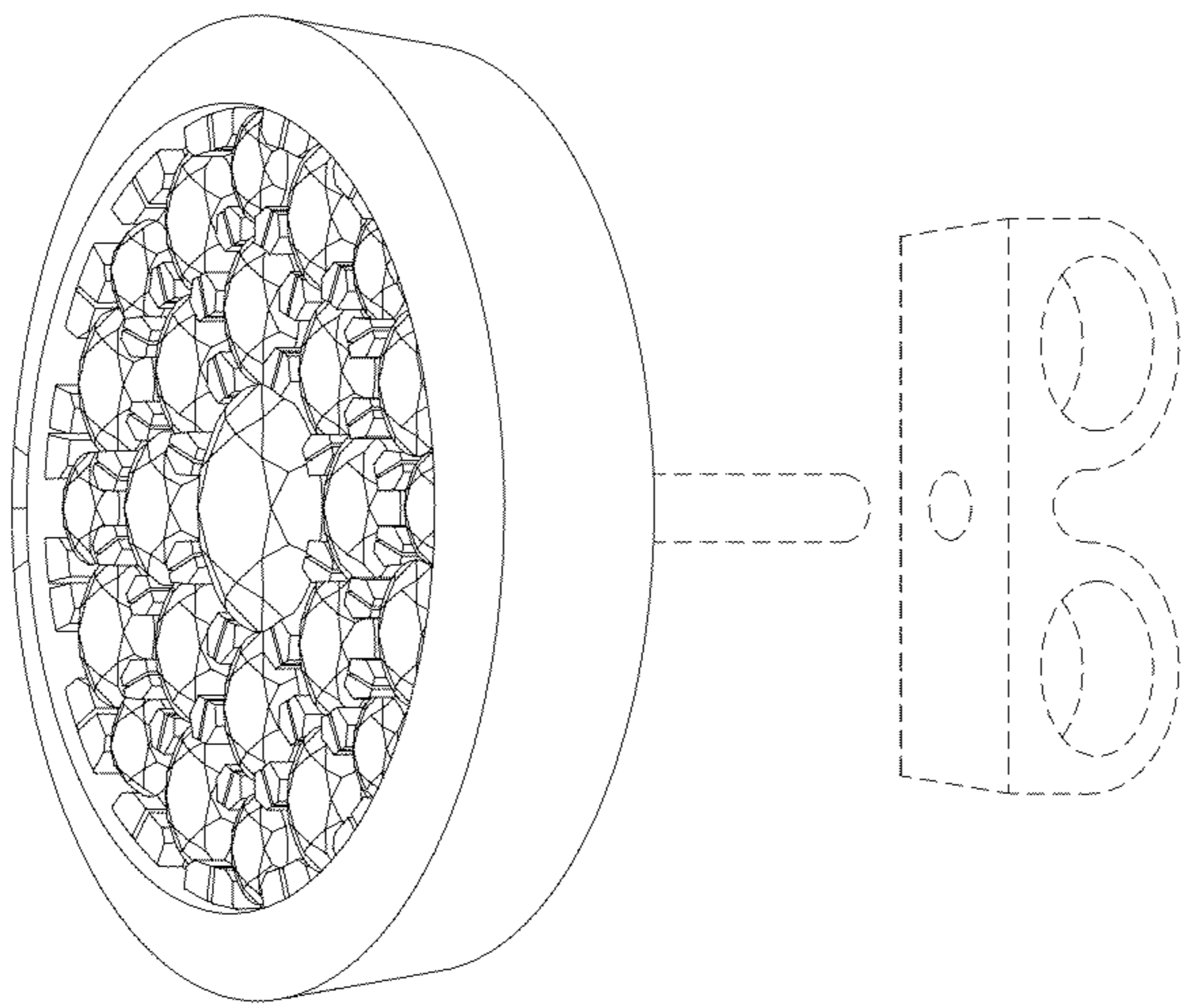


FIG. 11