



US00D699145S

(12) **United States Design Patent**
Gudlewski et al.

(10) **Patent No.:** **US D699,145 S**
(45) **Date of Patent:** **** Feb. 11, 2014**

(54) **SURFACE ORNAMENTATION FOR A GEMSTONE**

(76) Inventors: **Benjamin J. Gudlewski**, Carlsbad, CA (US); **Edward P. Holtaway**, Carlsbad, CA (US)

(**) Term: **14 Years**

(21) Appl. No.: **29/425,970**

(22) Filed: **Jun. 28, 2012**

(51) **LOC (10) Cl.** **11-01**

(52) **U.S. Cl.**
USPC **D11/90**

(58) **Field of Classification Search**
USPC D11/1-2, 26-29, 89-92; 63/26-28, 32
See application file for complete search history.

(56) **References Cited**

U.S. PATENT DOCUMENTS

484,934 A	10/1892	Jacobson	
D36,103 S *	10/1902	Wood	D11/90
D36,167 S *	12/1902	Schenck	D11/90
1,354,471 A	10/1920	Doner	
2,081,483 A	5/1937	Evanda	
D124,598 S *	1/1941	Brodovitch	D9/651
2,511,510 A	6/1950	Mukai	
4,030,317 A	6/1977	Rogell	
4,425,769 A	1/1984	Hakoune	
4,809,417 A	3/1989	Normann	
5,044,123 A	9/1991	Hoffman	
5,612,102 A	3/1997	Nakama	
5,966,673 A	10/1999	Shannon	
D453,120 S *	1/2002	Cheng	D11/90
D481,649 S *	11/2003	Samuels	D11/90
D526,237 S *	8/2006	Yuan	D11/90
D539,185 S *	3/2007	Davidi	D11/90
D544,807 S *	6/2007	Yuan	D11/90
D563,822 S *	3/2008	Yuan	D11/90

D567,705 S *	4/2008	Yuan	D11/90
D569,757 S	5/2008	Abel	
D584,987 S *	1/2009	Meyer	D11/89

(Continued)

FOREIGN PATENT DOCUMENTS

DE	92 07 571 U1	8/1992
EP	0 648 445 A1	4/1995

(Continued)

OTHER PUBLICATIONS

U.S. Appl. No. 29/377,654, filed Oct. 25, 2010, Gudlewski, et al.

(Continued)

Primary Examiner — Ralf Seifert

(74) *Attorney, Agent, or Firm* — Knobbe, Martens, Olson & Bear, LLP

(57) **CLAIM**

The ornamental design for a surface ornamentation for a gemstone, as shown and described.

DESCRIPTION

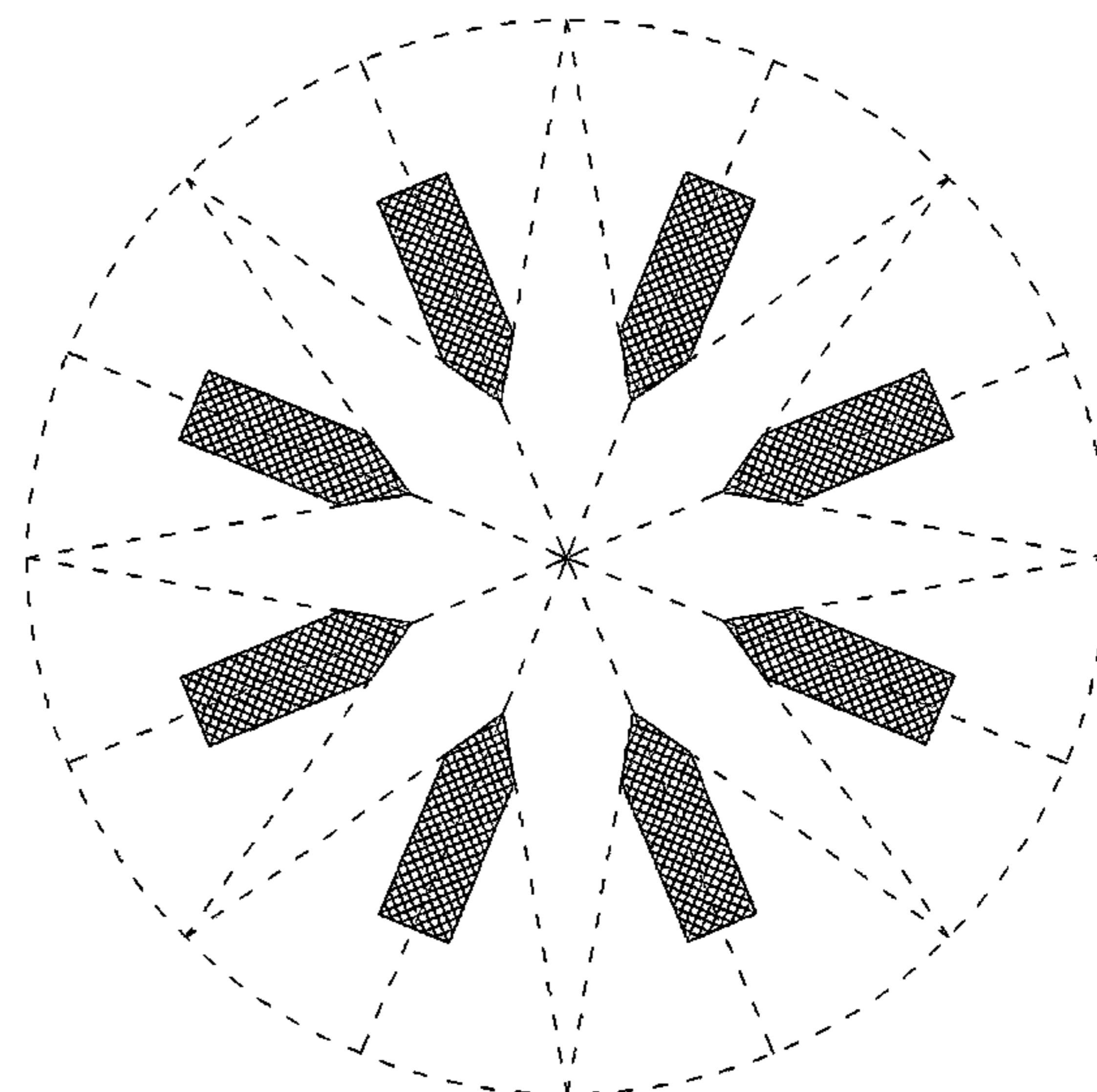
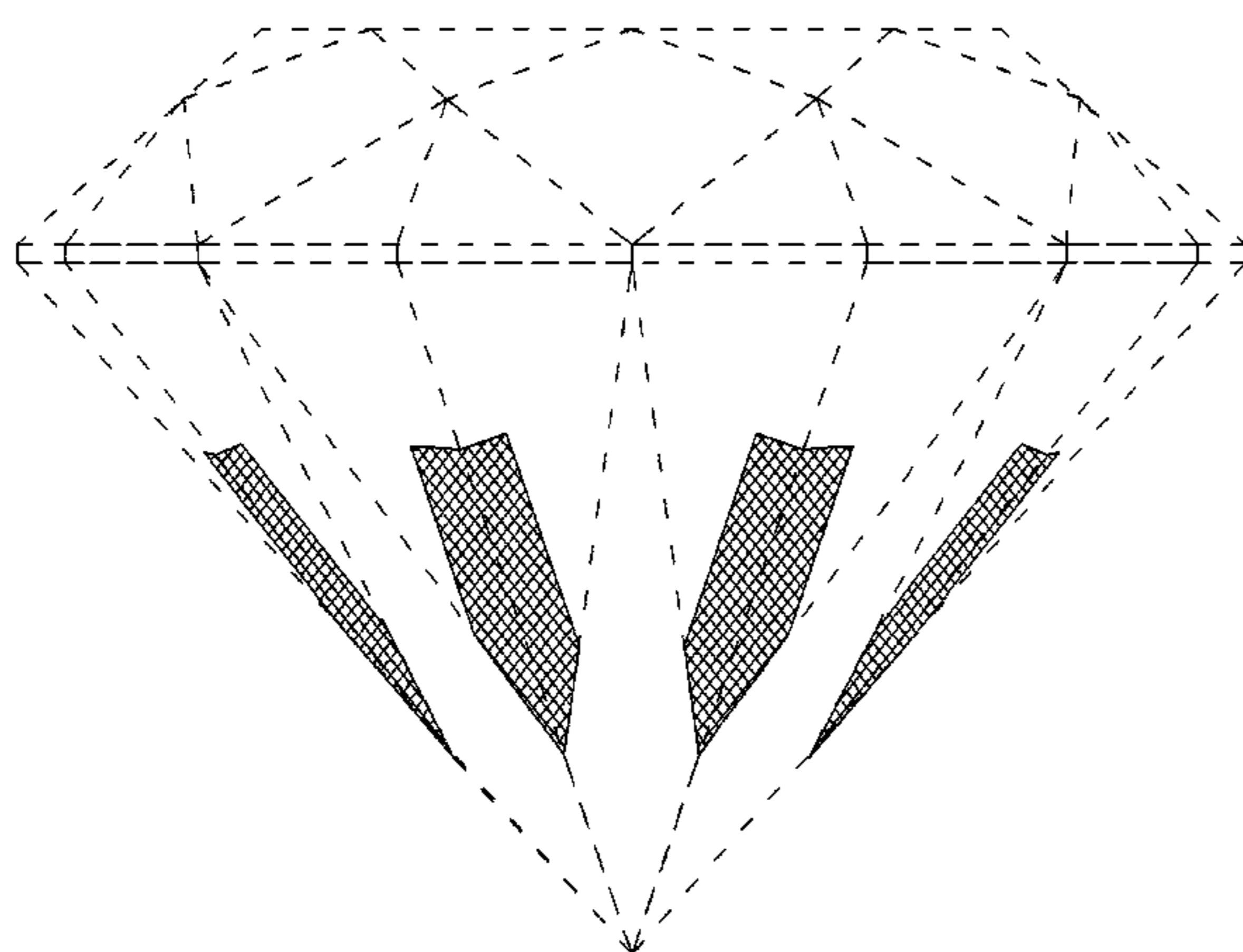
FIG. 1 is a front elevational view of a surface ornamentation for a gemstone as applied on a gemstone, showing our new design. a rear elevational view and a side elevational view are identical to the front elevational view.

FIG. 2 is a bottom plan view of the gemstone with the surface ornamentation for a gemstone shown in FIG. 1; and,

FIG. 3 is a top plan view of the gemstone on which is applied the surface ornamentation for a gemstone shown in FIG. 1.

The broken lines in FIGS. 1-3 depict environmental features of the gemstone and form no part of the claimed design. The hatch pattern sections shown in FIGS. 1 and 2 indicate diffractive, etched elements of the design.

1 Claim, 3 Drawing Sheets



(56)

References Cited

U.S. PATENT DOCUMENTS

D608,682	S	1/2010	Richter
8,033,136	B2	10/2011	Maltezos et al.
8,479,538	B2	7/2013	Maltezos et al.
2005/0011225	A1	1/2005	Kearnes et al.
2007/0157667	A1	7/2007	Maltezos et al.
2009/0126402	A1	5/2009	Maltezos et al.
2012/0024010	A1	2/2012	Maltezos et al.

FOREIGN PATENT DOCUMENTS

EP	1959780	8/2008
EP	2289361	3/2011
GB	2 332 651 A	6/1999
JP	62-041605	2/1987
KR	1999-0080103	11/1999
KR	10-2001-0105936	11/2001
WO	WO 02/31474 A	4/2002
WO	WO 02/066263 A	8/2002
WO	WO 2007/067696	6/2007
WO	WO 2010/003600	1/2010

OTHER PUBLICATIONS

International Search Report and Written Opinion for International Application No. PCT/US2006/046719 mailed on Mar. 30, 2007 in 14 pages.

Office Action issued on Oct. 17, 2008 in connection with European Application No. 06 844 964.42307, filed on Decemeber 6, 2006, in 3 pages.

Restriction Requirement issued on Jun. 16, 2009 in connection with U.S Appl. No. 11/635,386, filed on Dec. 6, 2006, in 5 pages.

Written Opinion of the International Search Authority for International Application No. PCT/US2006/046719 mailed on Jun. 19, 2008 in 12 pages.

Response to Restriction Requirement filed Jul. 16, 2009 in connection with U.S. Appl. No. 11/635,386, filed on Dec. 6, 2006, in 6 pages.

International Search Report and Written Opinion for International Application No. PCT/US2008/085078 mailed on Jul. 17, 2009 in 8 pages.

Office Action issued on Aug. 28, 2009 in connection with U.S. Appl. No. 11/635,386, filed on Dec. 6, 2006, in 7 pages.

Response to Office Action issued filed on Jan. 28, 2010 in connection with U.S. Appl. No. 11/635,386, in 9 pages.

Final Office Action issued on Apr. 5, 2010 in connection with U.S. Appl. No. 11/635,386, filed on Dec. 6, 2006, in 9 pages.

Request for Continued Examination and Amendment filed in Response to Final Office Action filed on Oct. 4, 2010 in connection with U.S. Appl. No. 11/635,386, filed on Dec. 6, 2006.

Office Action issued on Nov. 5, 2010, in connection with U.S. Appl. No. 11/635,386, filed on Dec. 6, 2006, in 9 pages.

Office Action issued in connection with European Application No. 06 844 964.4, filed on Dec. 6, 2006, mailed on Dec. 22, 2010, in 5 pages.

Search Report issued in connection with European Application No. 10188178.7, filed on Dec. 6, 2006, mailed on Jan. 31, 2011, in 6 pages.

Notice of Allowance issued Jun. 7, 2011 in connection with U.S. Appl. No. 11/635,386, filed on Dec. 6, 2006, in 9 pages.

Office Action issued on Dec. 1, 2011 in connection with International Application No. 10186178.7-2307, filed on Dec. 6, 2006, in 5 pages.

Office Action issued on Apr. 10, 2012 in connection with U.S. Appl. No. 13/253,678, filed on Oct. 5, 2011, in 8 pages.

Terminal Disclaimer to Accompany Petition filed on Jul. 20, 2012 in connection with U.S. Appl. No. 29/377,654, filed on Oct. 25, 2010, in 2 pages.

Office Action issued on Aug. 13, 2012 in connection with U.S. Appl. No. 13/253,678, filed on Oct. 5, 2011, in 10 pages.

Terminal Disclaimer to Obviate a Double Patenting Rejection Over a "Prior" Patent filed on Jan. 14, 2013 in connection with U.S. Appl. No. 13/253,678, filed on Oct. 5, 2011, in 2 pages.

Notice of Allowance issued Mar. 11, 2013 in connection with U.S. Appl. No. 11/253,678, filed on Oct. 5, 2011, in 5 pages.

Notice of Allowance issued in connection with U.S. Appl. No. 29/377,654, filed on Oct. 25, 2010, in 9 pages.

Bragg, W. L., "The Diffraction of Short Electromagnetic Waves by a Crystal," Proceedings of the Cambridge Philosophical Society, vol. XVII, Oct. 28, 1912-May 18, 1914, Cover Page and pp. 43-57.

Kunz, G.F., "Precious Stones, Mineral Resources of the United States," Government Printing Office 1888, Cover Page, Table of Contents in 2 pages, and pp. 555-571.

Moses, T.M. et al., "A Foundation for Grading the Overall Cut Quality of Round Brilliant Cut Diamonds," Gems & Gemology, vol. 40, No. 3, Fall 2004, pp. 202-228.

Reinitz, I.M. et al., "Modeling the Appearance of the Round Brilliant Cut Diamond: An Analysis of Fire, and More About Brilliance," Gems & Gemology, vol. 37, No. 3, Fall 2001, pp. 174-197.

Wells, O.C. et al., "Automatic Positioning of Device Electrodes Using the Scanning Electron Microscope," IEEE Transactions on Electron Devices, vol. Ed-12, No. 10, Oct. 1965, pp. 556-563.

Wolf, E.D. et al., "Electron Beam and Ion Beam Fabricated Microwave Switch," IEEE Transactions on Electron Devices, vol. ED-17, No. 6, Jun. 1970, pp. 446-449.

Gilbertson, et al. "Cutting Diffraction Gratings to Improve Dispersion ("Fire") in Diamonds", Gems & Gemology, vol. 45, No. 4, pp. 260-270.

* cited by examiner

Fig. 1

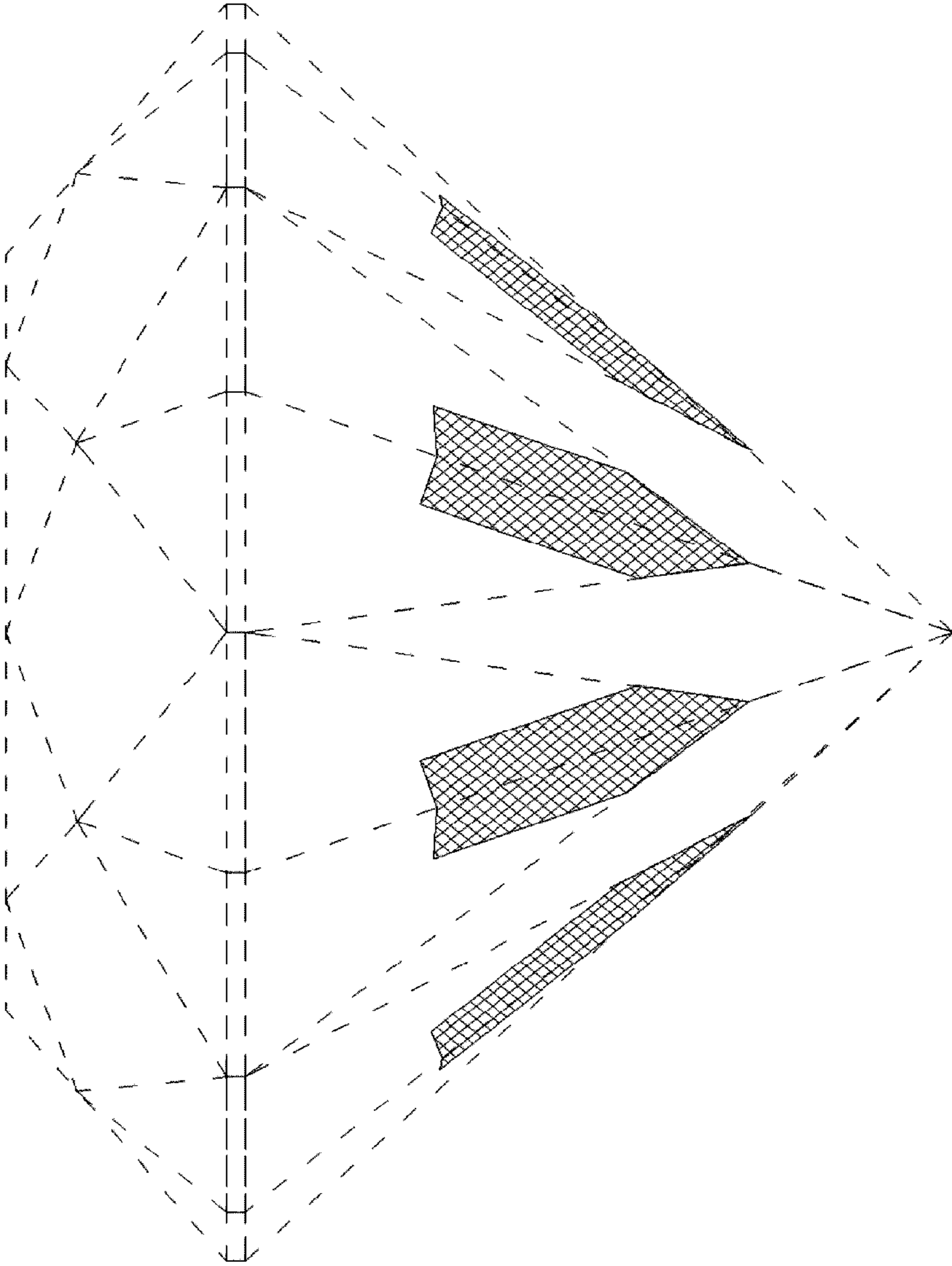


Fig. 2

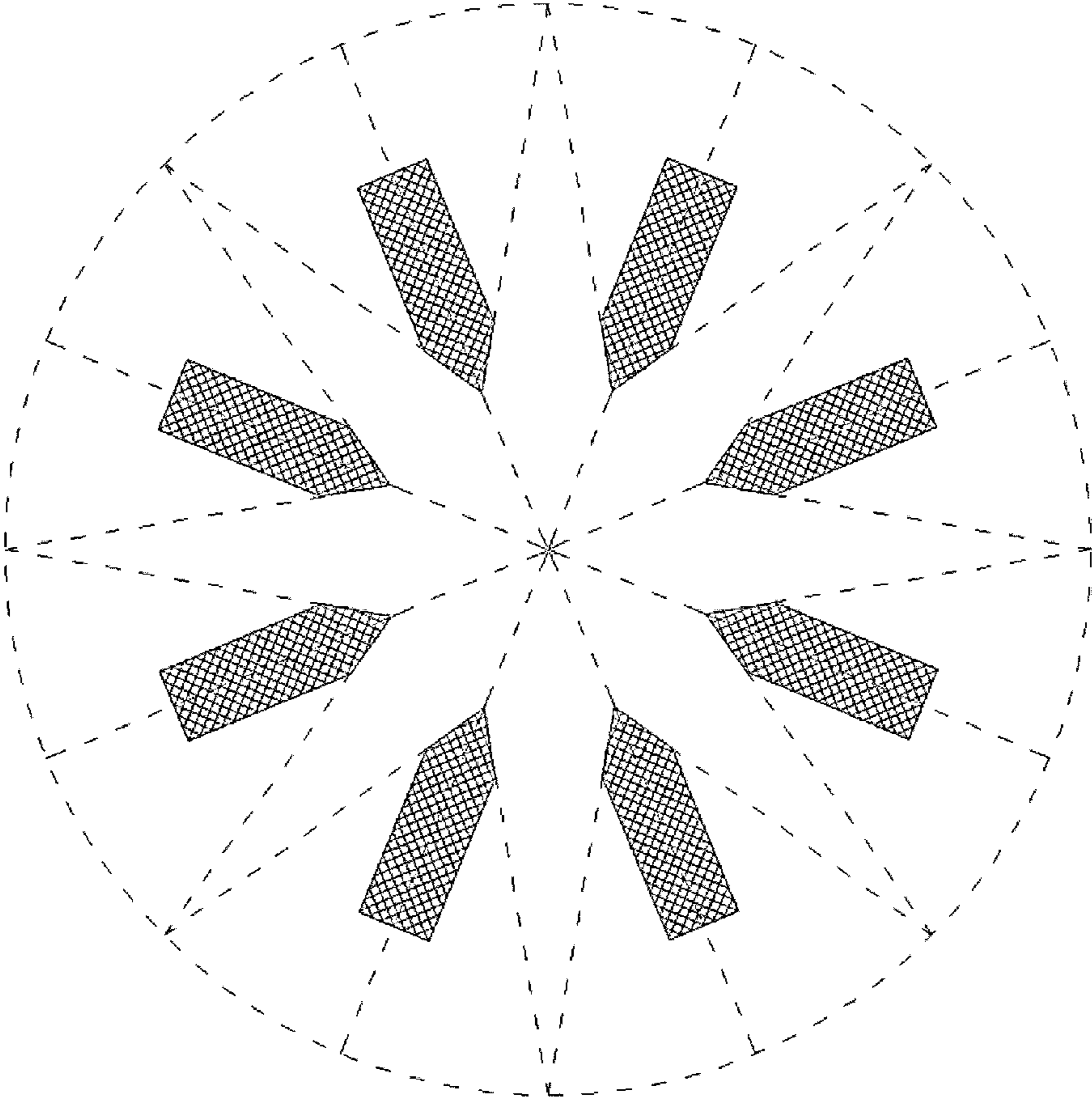


Fig. 3

