



US00D699144S

(12) **United States Design Patent**
Kalbach

(10) **Patent No.:** **US D699,144 S**
(45) **Date of Patent:** **** Feb. 11, 2014**

(54) **LANYARD CONNECTOR**

(75) **Inventor:** **Edward Van Lee Kalbach**, Nibley, UT (US)

(73) **Assignee:** **EK Ekcessories, Inc.**, Logan, UT (US)

(**) **Term:** **14 Years**

(21) **Appl. No.:** **29/416,048**

(22) **Filed:** **Mar. 16, 2012**

(51) **LOC (10) Cl.** **11-01**

(52) **U.S. Cl.**
USPC **D11/3**

(58) **Field of Classification Search**

USPC D11/1-3, 26, 200-201, 206-210,
D11/214-218, 7; 24/163 R, 169-171, 173,
24/177-179, 191, 194-195, 197, 200,
24/614-616, 625, 198, 3.4, 115 H;
D2/607; D3/215; 224/258; D30/152,
D30/153

See application file for complete search history.

(56) **References Cited**

U.S. PATENT DOCUMENTS

452,830 A	5/1891	Bowie et al.
652,891 A	7/1900	Cochran
1,270,207 A	6/1918	Preston
1,509,781 A	9/1924	Roth
1,819,738 A	8/1931	Daniel

(Continued)

OTHER PUBLICATIONS

“J.A.M. Plastics, Inc. Catalog” Oct. 1, 1996, Anaheim California.

(Continued)

Primary Examiner — Ralf Seifert

(74) *Attorney, Agent, or Firm* — TraskBritt, P.C.

(57) **CLAIM**

The ornamental design for a lanyard connector, as shown and described.

DESCRIPTION

FIG. 1 is a perspective view of a lanyard connector showing my new design;

FIG. 2 is a front view of the lanyard connector shown in FIG. 1;

FIG. 3 is a back view of the lanyard connector shown in FIG. 1;

FIG. 4 is a first side view of the lanyard connector shown in FIG. 1;

FIG. 5 is a second side view of the lanyard connector shown in FIG. 1;

FIG. 6 is a perspective view of a second embodiment of a lanyard connector showing my new design;

FIG. 7 is a front view of the lanyard connector shown in FIG. 6;

FIG. 8 is a back view of the lanyard connector shown in FIG. 6;

FIG. 9 is a first side view of the lanyard connector shown in FIG. 6;

FIG. 10 is a second side view of the lanyard connector shown in FIG. 6;

FIG. 11 is a perspective view of a third embodiment of a lanyard connector showing my new design;

FIG. 12 is a front view of the lanyard connector shown in FIG. 11;

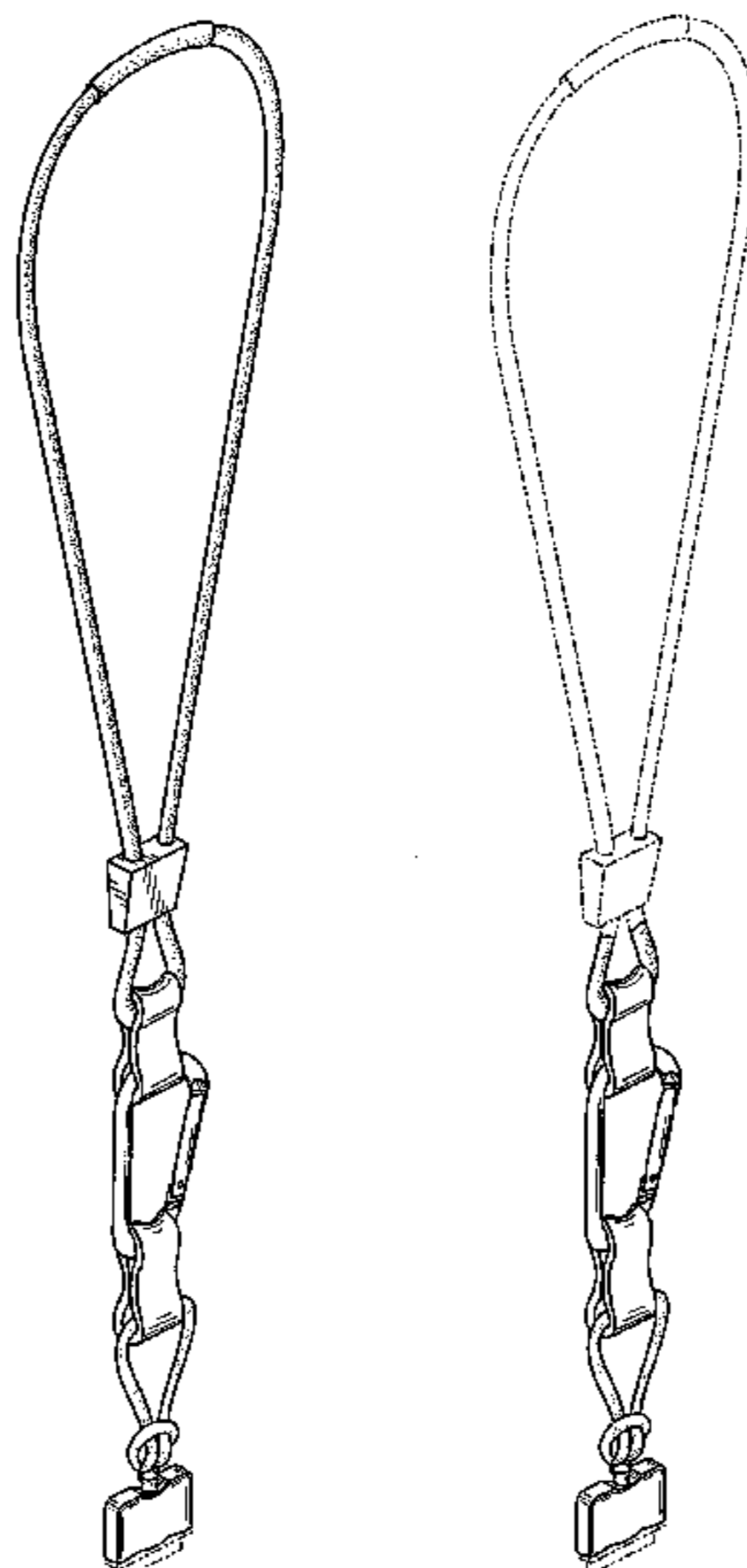
FIG. 13 is a back view of the lanyard connector shown in FIG. 11;

FIG. 14 is a first side view of the lanyard connector shown in FIG. 11; and,

FIG. 15 is a second side view of the lanyard connector shown in FIG. 11.

The broken line showing of a lanyard and chord slide in FIGS. 6-10 and the broken lines extending from the bottom of the device holder in all of the drawing views is included for the purpose of illustrating environmental matter and forms no part of the claimed design.

1 Claim, 9 Drawing Sheets



(56)

References Cited

U.S. PATENT DOCUMENTS

2,481,946 A 9/1949 Pendleton
 2,539,922 A 1/1951 Nyberg
 2,572,889 A 10/1951 Strykower
 2,660,092 A 11/1953 Bloom
 2,704,961 A 3/1955 Weil
 2,775,804 A 1/1957 Ayoub
 2,783,926 A 3/1957 Wise
 2,947,456 A 8/1960 Seron
 3,397,026 A 8/1968 Spina
 3,450,467 A 6/1969 Phillips
 D216,075 S 11/1969 D'Elia et al.
 D222,150 S 10/1971 McCarty
 3,874,776 A 4/1975 Seron
 3,879,804 A 4/1975 Lawrence
 D237,760 S * 11/1975 Woods D29/122
 D237,845 S 12/1975 Saji
 3,927,808 A 12/1975 Steen
 D245,728 S 9/1977 Rials
 4,133,604 A 1/1979 Fuller
 4,156,574 A 5/1979 Boden
 4,171,555 A 10/1979 Bakker et al.
 D265,638 S 8/1982 Barr
 D273,440 S 4/1984 Fulwiler
 D278,369 S 4/1985 Pringle et al.
 4,541,696 A 9/1985 Wnger et al.
 D285,865 S 9/1986 Gamble
 4,657,364 A 4/1987 Murrell
 D290,964 S 7/1987 Kalbach
 D291,894 S 9/1987 Weisenfeld et al.
 4,696,556 A 9/1987 Perry, III
 D292,543 S 11/1987 Smith
 D292,750 S 11/1987 Smith
 D309,619 S 7/1990 Kalbach
 D310,305 S 9/1990 Scognamillo et al.
 D310,448 S 9/1990 Scognamillo et al.
 4,976,531 A 12/1990 Kahaney
 4,978,210 A 12/1990 Lundbeck
 5,002,381 A 3/1991 Murrell
 5,015,085 A 5/1991 May
 5,027,477 A 7/1991 Seron
 D320,367 S 10/1991 Kalbach
 5,092,668 A 3/1992 Welch et al.
 D328,186 S 7/1992 Hanke
 D328,908 S 8/1992 Kalbach
 5,151,778 A 9/1992 Conley
 5,157,425 A 10/1992 Liu
 5,215,237 A 6/1993 Wu
 5,369,452 A 11/1994 Williams
 D354,759 S 1/1995 Wolff
 D354,760 S 1/1995 Wolff
 5,414,903 A 5/1995 Porteous
 D366,007 S 1/1996 Colpo
 D371,154 S 6/1996 Kalbach
 5,575,042 A 11/1996 Kalbach
 5,582,337 A 12/1996 McPherson et al.
 D377,562 S 1/1997 Wolfram
 D382,503 S 8/1997 Kalbach
 5,654,787 A 8/1997 Barison
 D383,993 S 9/1997 Kalbach
 D385,415 S 10/1997 Turbide
 D386,310 S 11/1997 Smith
 D386,610 S 11/1997 Wright
 D392,583 S 3/1998 Hoffman
 5,842,256 A 12/1998 Anscher
 5,860,191 A 1/1999 Sieger

D414,602 S * 10/1999 Bolen et al. D3/215
 D416,038 S 11/1999 Kalbach
 6,000,795 A 12/1999 Van Rysselberghe
 D418,774 S 1/2000 Kalbach
 D423,783 S 5/2000 Steurer
 6,092,897 A 7/2000 Smerdon, Jr.
 D432,401 S 10/2000 Kalbach
 6,182,334 B1 2/2001 Davancens
 D446,109 S 8/2001 Kalbach
 D462,513 S 9/2002 Halzhaus et al.
 D462,523 S 9/2002 Kalbach
 D467,416 S 12/2002 Kalbach
 D472,798 S 4/2003 Kalbach
 D477,709 S 7/2003 Natividad
 D486,511 S 2/2004 Kalbach
 D487,015 S 2/2004 Kalbach
 6,709,100 B2 3/2004 Kalbach
 6,711,785 B1 3/2004 Hicks et al.
 6,752,305 B2 6/2004 Shattuck
 D507,110 S 7/2005 Hicks et al.
 D520,241 S 5/2006 Hicks et al.
 7,056,028 B2 6/2006 Hosoda et al.
 D532,201 S 11/2006 Esch
 D536,173 S 2/2007 Hicks et al.
 D536,364 S 2/2007 Kalbach
 D539,697 S 4/2007 Mackay
 D541,190 S 4/2007 Plzak
 D541,523 S 5/2007 Zoullas et al.
 D544,400 S 6/2007 Yoshiguchi
 D557,008 S 12/2007 Stiller
 D567,704 S 4/2008 Martin
 D601,916 S 10/2009 Moss
 D619,495 S 7/2010 Herman
 D621,606 S 8/2010 Marquardt
 D628,797 S 12/2010 Kalbach
 D628,798 S 12/2010 Kalbach
 D629,331 S 12/2010 Kalbach
 D634,232 S 3/2011 Kelly et al.
 D637,478 S 5/2011 Kalbach
 D638,330 S 5/2011 Fahrendorff et al.
 D639,642 S 6/2011 Kalbach
 D644,139 S 8/2011 Kalbach
 D662,435 S * 6/2012 Kalbach D11/3
 D662,436 S * 6/2012 Kalbach D11/3
 D676,618 S * 2/2013 Kalbach D30/153
 D677,188 S * 3/2013 Kalbach D11/3
 D677,189 S * 3/2013 Kalbach D11/3
 D677,842 S * 3/2013 Kalbach D30/153
 2004/0001179 A1 1/2004 Kalbach

OTHER PUBLICATIONS

“Shockers Eyewear Retainers & Sports Accessories Catalog,” 1989-1999, Newberg, Oregon.
 “Shockers Eyewear Retainers & Sports Accessories Catalog,” 1997, Portland, Oregon.
 “SnugZ USA Catalog” Jan. 1, 1997.
 CIPI—Products—Neckwear & Wristwear—Lanyards, 1997.
 CIPI—Products—Neckwear & Wristwear—Lanyards, Feb. 13, 1998, Website.
 CIPI Product Line website visited Dec. 27, 2001.
 EK Ekcessories Catalog@ ASI Promotion Products, Jan. 1999.
 EK Ekcessories Catalog@ Aug. 1997.
 IRIS Catalog, Lanyards, at least as early as Feb. 1999.
 Shockers, 1997, Dealer Price List.
 The Logo Shop Catalog, Logo Watch Co., p. 2, 1997, Logan Utah.

* cited by examiner

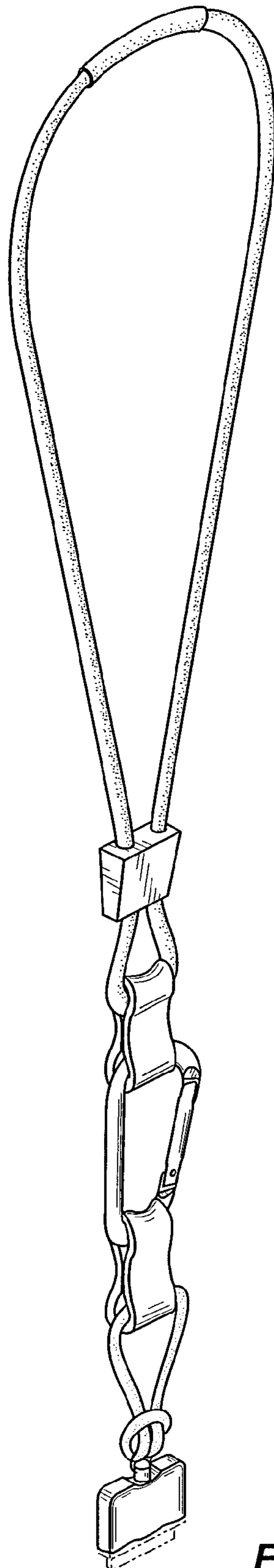


FIG. 1

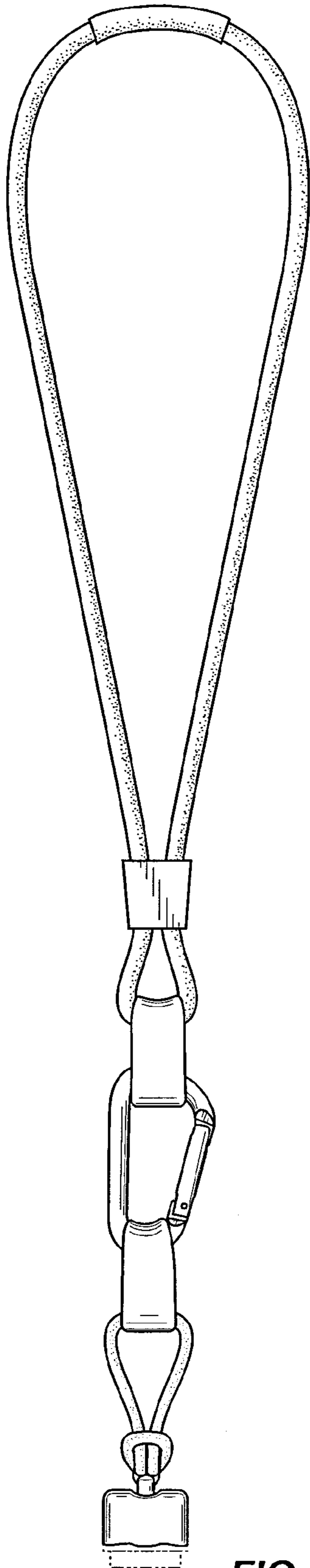


FIG. 2

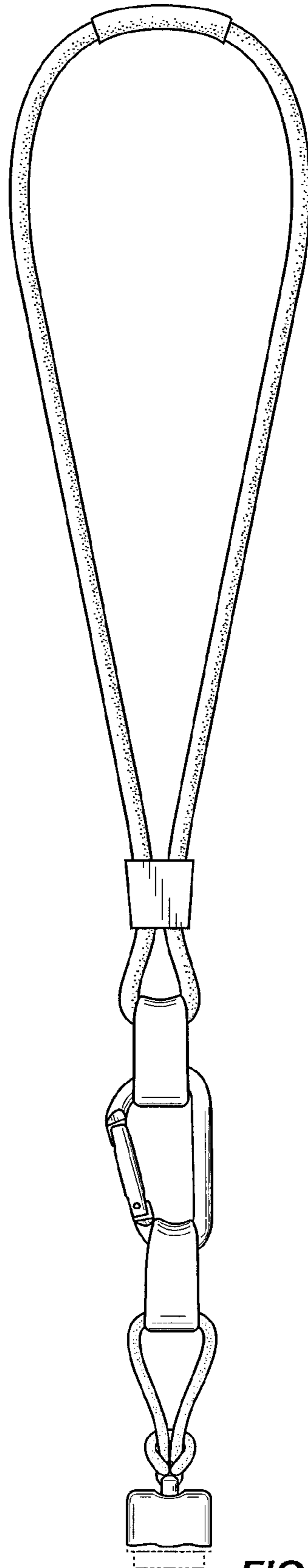


FIG. 3

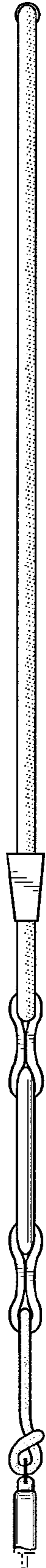


FIG. 4

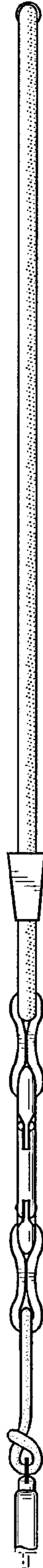


FIG. 5

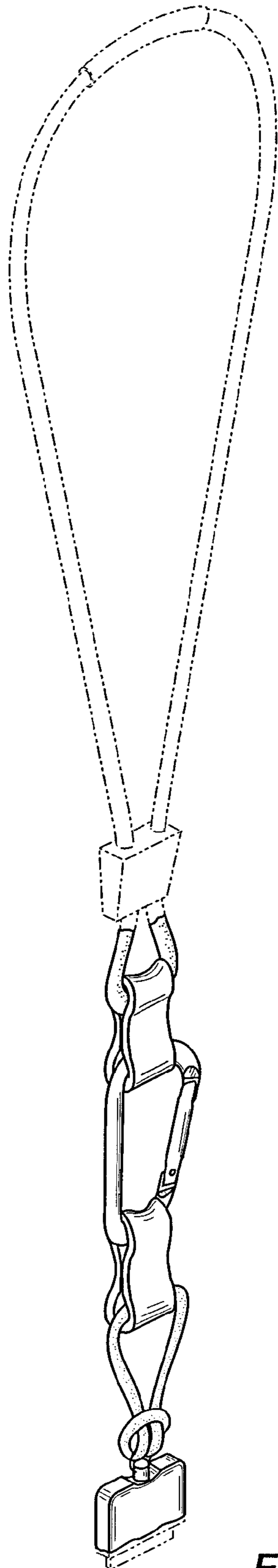


FIG. 6

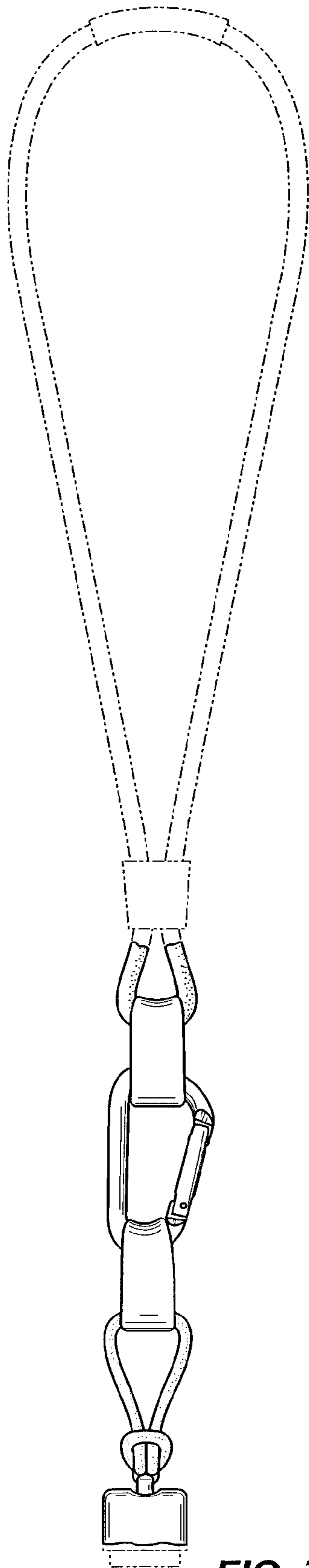


FIG. 7

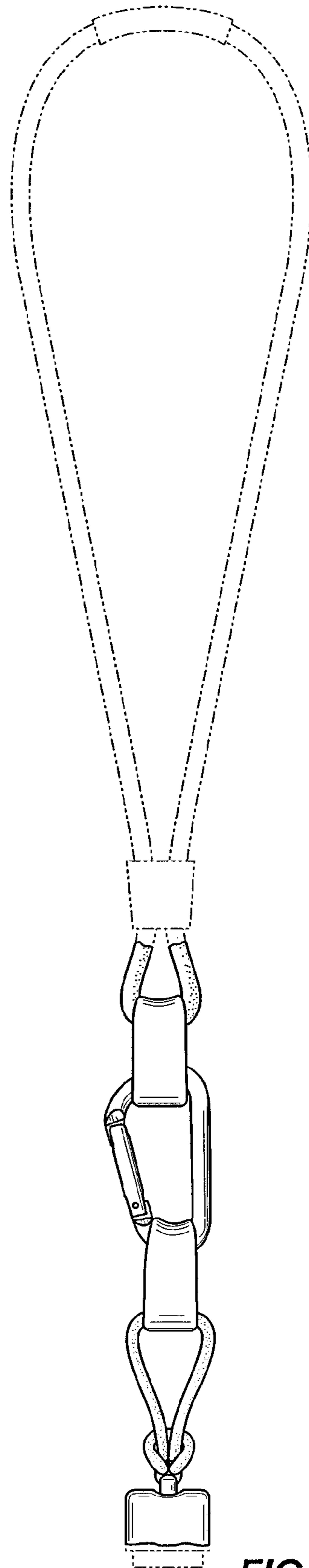


FIG. 8

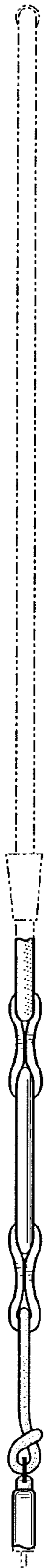


FIG. 9



FIG. 10

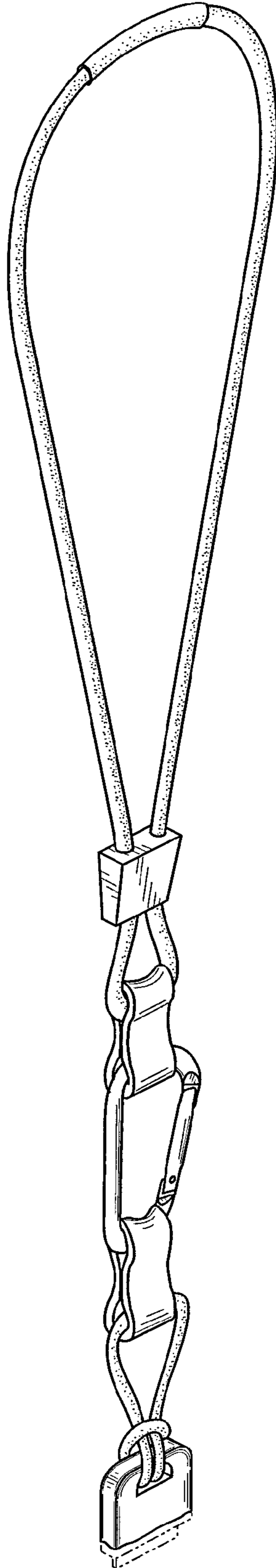


FIG. 11

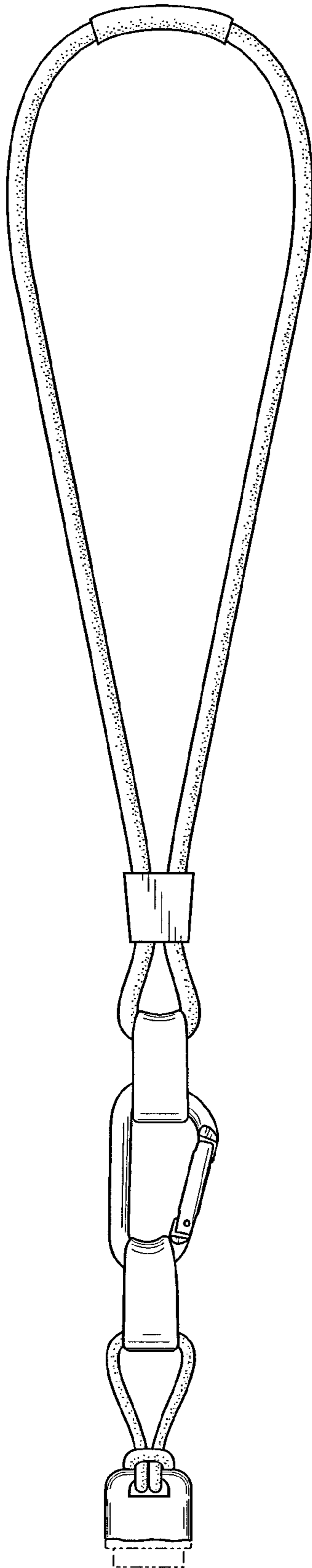


FIG. 12

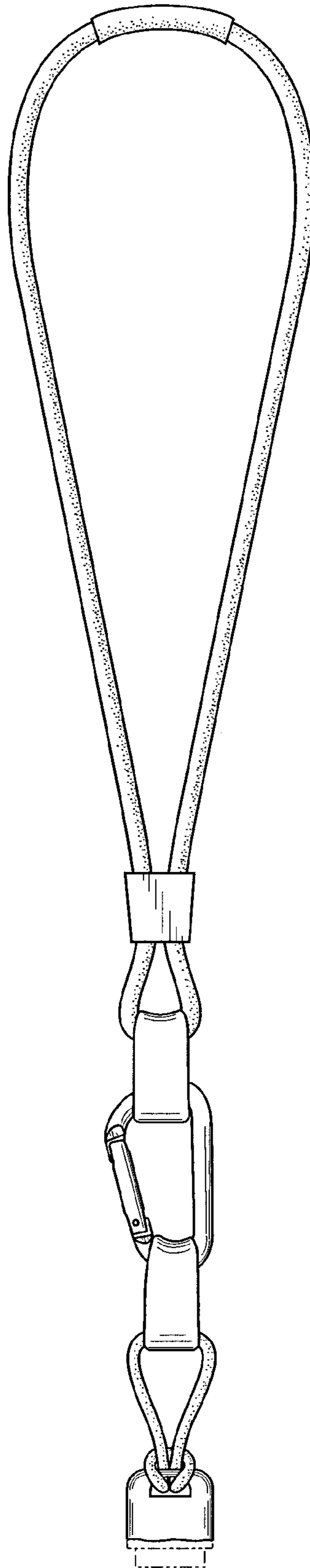


FIG. 13

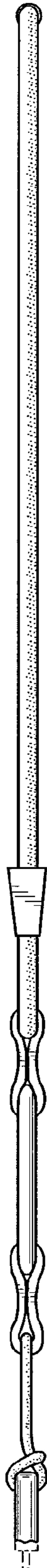


FIG. 14

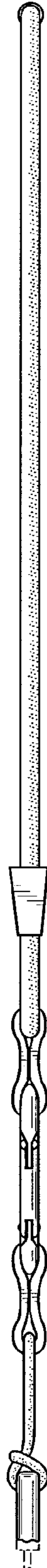


FIG. 15