



US00D699141S

(12) **United States Design Patent**
Walker

(10) **Patent No.:** **US D699,141 S**

(45) **Date of Patent:** **** Feb. 11, 2014**

(54) **RFID TAG**

(76) Inventor: **David Walker**, Saugus, CA (US)

(**) Term: **14 Years**

(21) Appl. No.: **29/411,864**

(22) Filed: **Jan. 26, 2012**

(51) **LOC (10) Cl.** **10-05**

(52) **U.S. Cl.**
USPC **D10/106.9**

(58) **Field of Classification Search**
USPC D10/104.1; 70/57.1; D3/208; D13/168;
D8/347; D14/218
See application file for complete search history.

(56) **References Cited**

U.S. PATENT DOCUMENTS

D615,676 S * 5/2010 Lee D26/37
D648,284 S * 11/2011 Kashimoto D13/168

D649,486 S * 11/2011 Daniels et al. D10/106.9

* cited by examiner

Primary Examiner — George D Kirschbaum

(74) *Attorney, Agent, or Firm* — QuickPatents; Kevin Prince

(57) **CLAIM**

I claim the ornamental design for an RFID tag, as shown and described.

DESCRIPTION

FIG. 1 is a perspective view of an RFID tag, showing my new design;

FIG. 2 is a top plan view thereof;

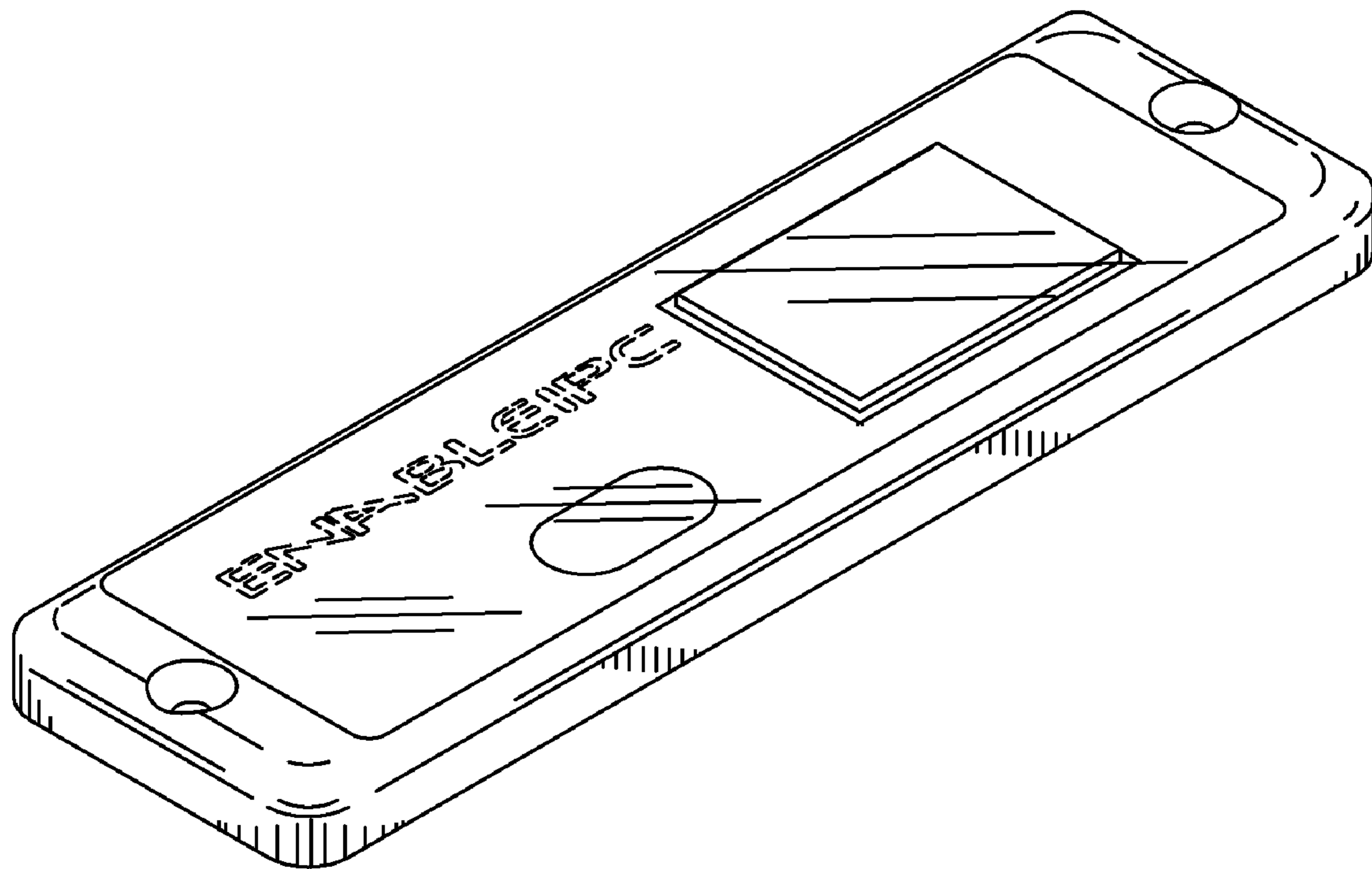
FIG. 3 is a bottom plan view thereof;

FIG. 4 is a left-side elevational view thereof, the right-side elevational view being a mirror image thereof; and,

FIG. 5 is a front elevational view thereof, the rear elevational view being a mirror image thereof.

The broken lines showing a logo and adhesive tape in the figures depict environmental matter and form no part of the claimed design.

1 Claim, 2 Drawing Sheets



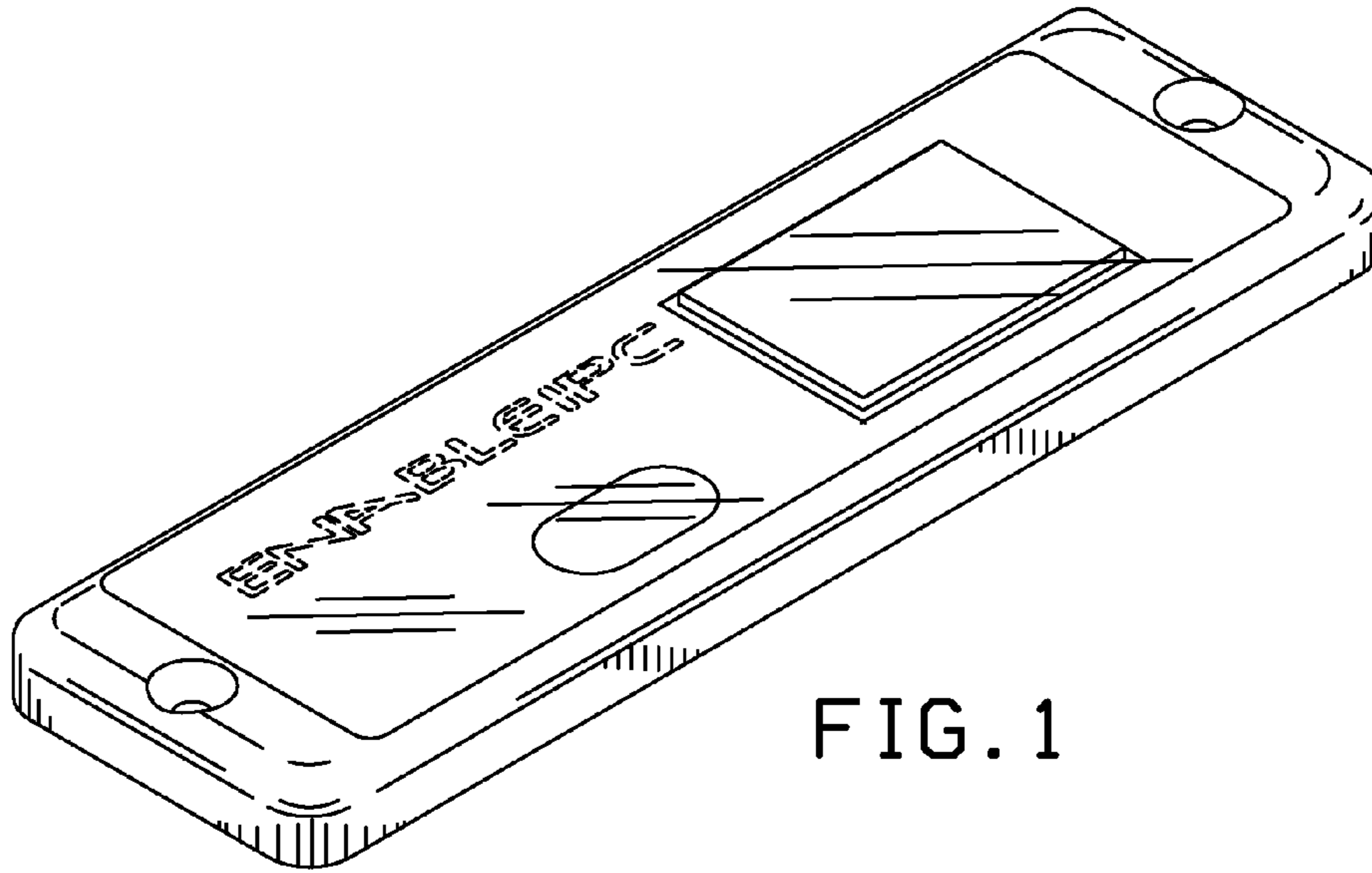


FIG. 1

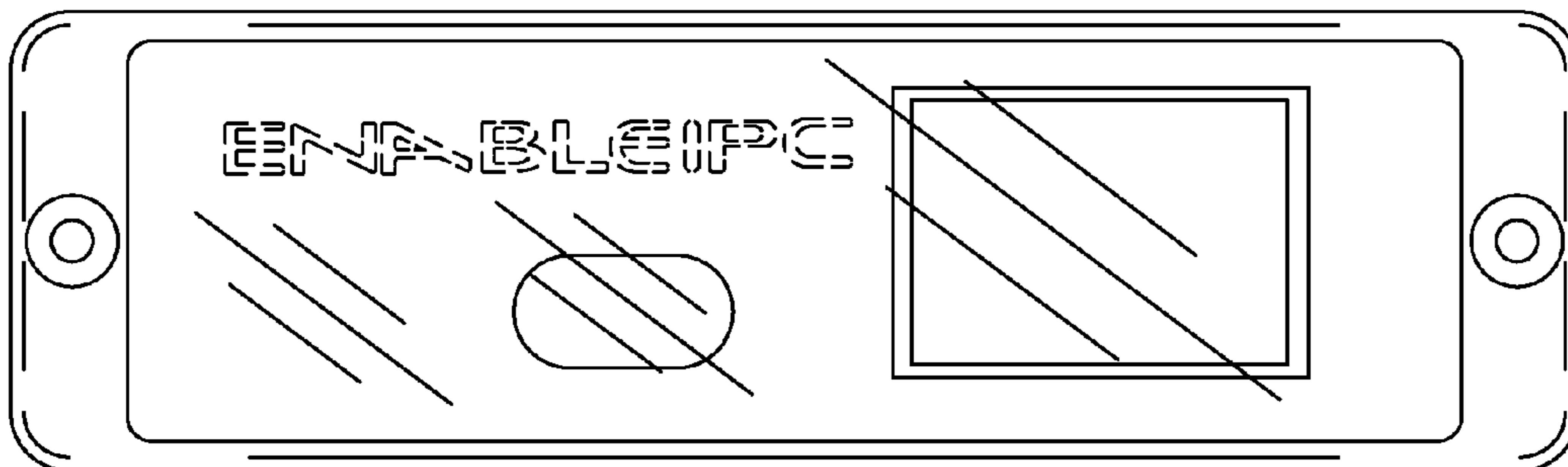


FIG. 2

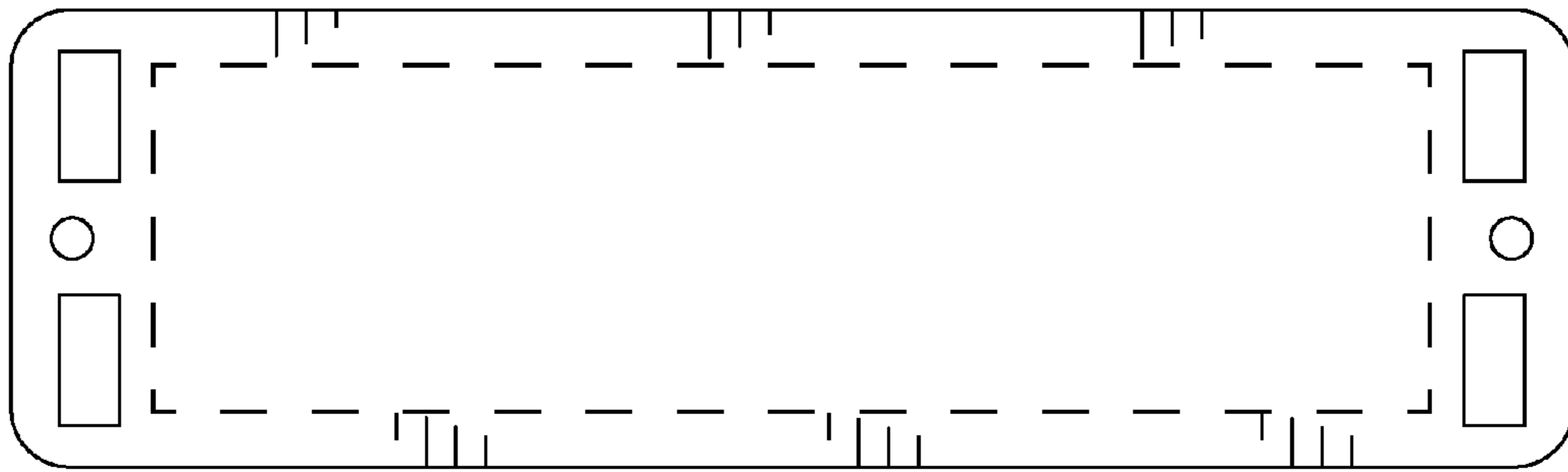


FIG. 3

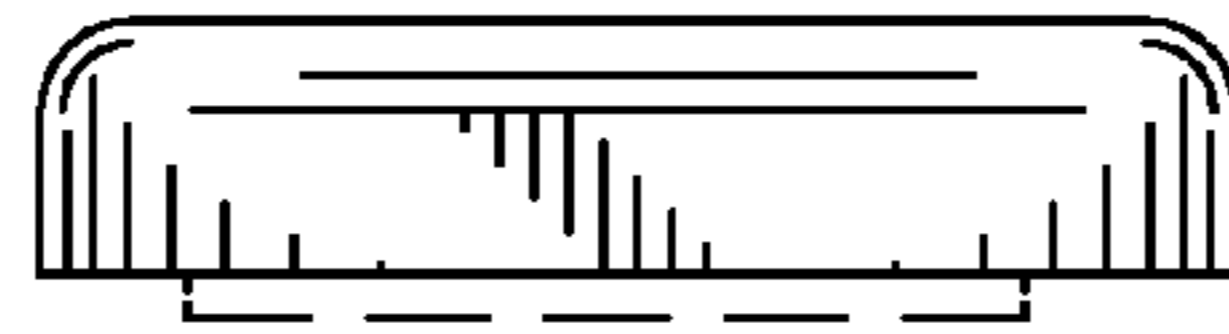


FIG. 4

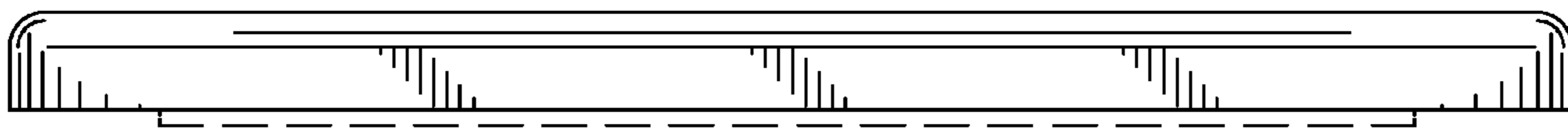


FIG. 5