



US00D699140S

(12) **United States Design Patent**  
**Lopez**

(10) **Patent No.:** **US D699,140 S**

(45) **Date of Patent:** **\*\* Feb. 11, 2014**

(54) **SMOKE ALARM**

(71) Applicant: **Samuel D. Lopez**, Oswego, IL (US)

(72) Inventor: **Samuel D. Lopez**, Oswego, IL (US)

(73) Assignee: **BRK Brands, Inc.**, Aurora, IL (US)

(\*\*) Term: **14 Years**

(21) Appl. No.: **29/451,409**

(22) Filed: **Apr. 2, 2013**

(51) **LOC (10) Cl.** ..... **10-05**

(52) **U.S. Cl.**  
USPC ..... **D10/106.2**

(58) **Field of Classification Search**  
USPC ..... D10/106.1–106.5; 340/521, 540–545,  
340/555, 558, 571–573

See application file for complete search history.

(56) **References Cited**

U.S. PATENT DOCUMENTS

D226,508 S *	3/1973	Gilson .....	D10/106.4
D253,753 S *	12/1979	Poesl .....	D10/106.2
D308,646 S *	6/1990	Grilk .....	D10/81
D369,566 S *	5/1996	Poon .....	D10/106.2

\* cited by examiner

*Primary Examiner* — George D Kirschbaum

(74) *Attorney, Agent, or Firm* — Lawrence J. Shurupoff

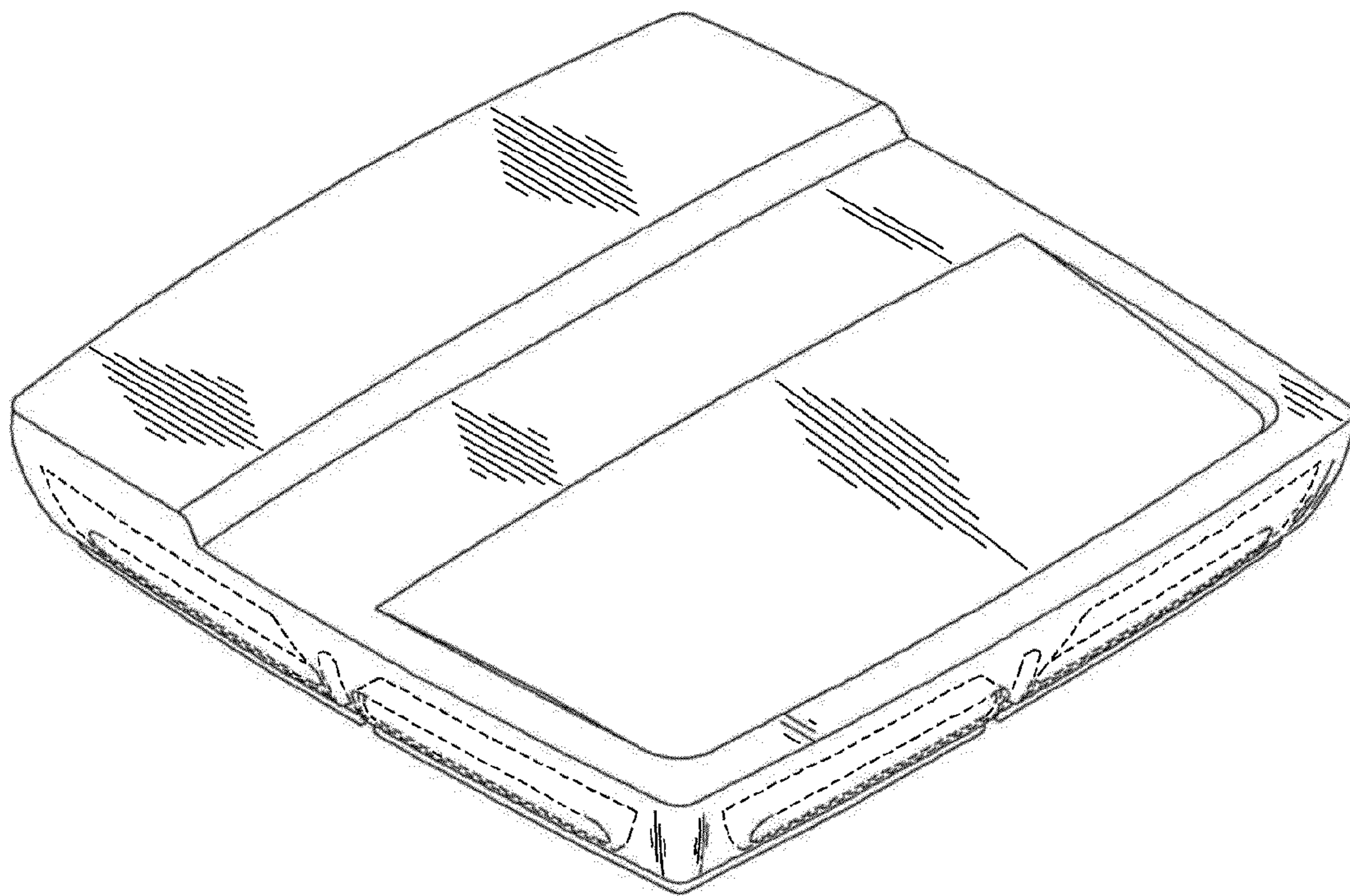
(57) **CLAIM**

The ornamental design for a smoke alarm, as shown and described.

**DESCRIPTION**

FIG. 1 is a top left perspective view of the smoke alarm  
FIG. 2 is a left side view thereof with the right side view being a mirror image thereof;  
FIG. 3 is a front view thereof;  
FIG. 4 is a rear view thereof; and,  
FIG. 5 is a top view thereof.  
The broken line showing of openings is included for the purpose of illustrating portions of the “article” and forms no part of the claimed design.

**1 Claim, 5 Drawing Sheets**



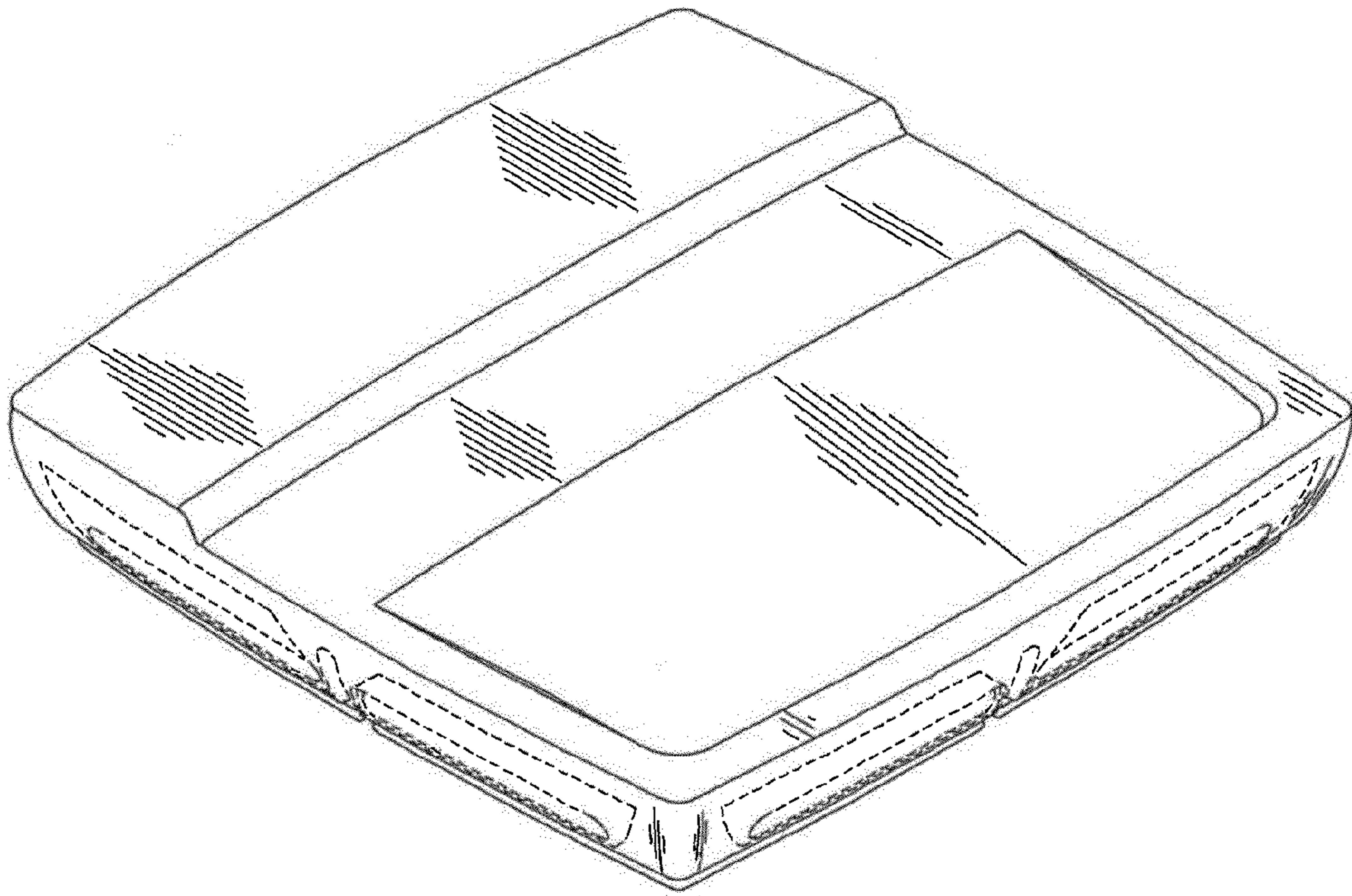


FIG 1

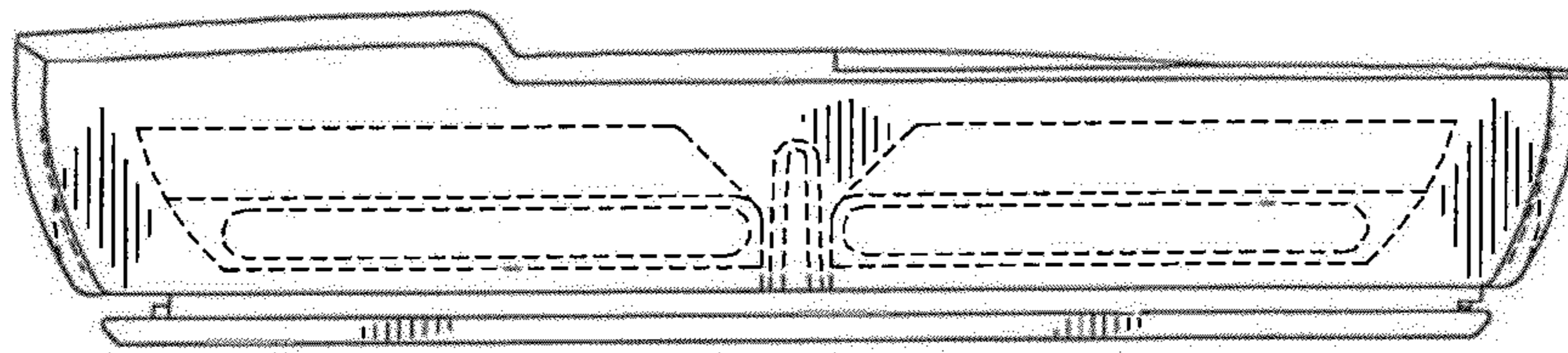


FIG 2

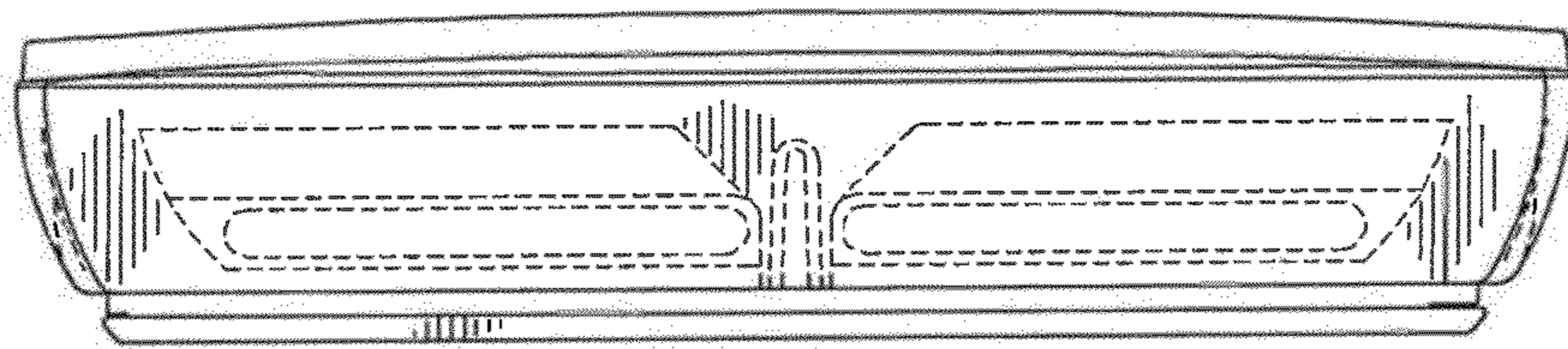


FIG 3



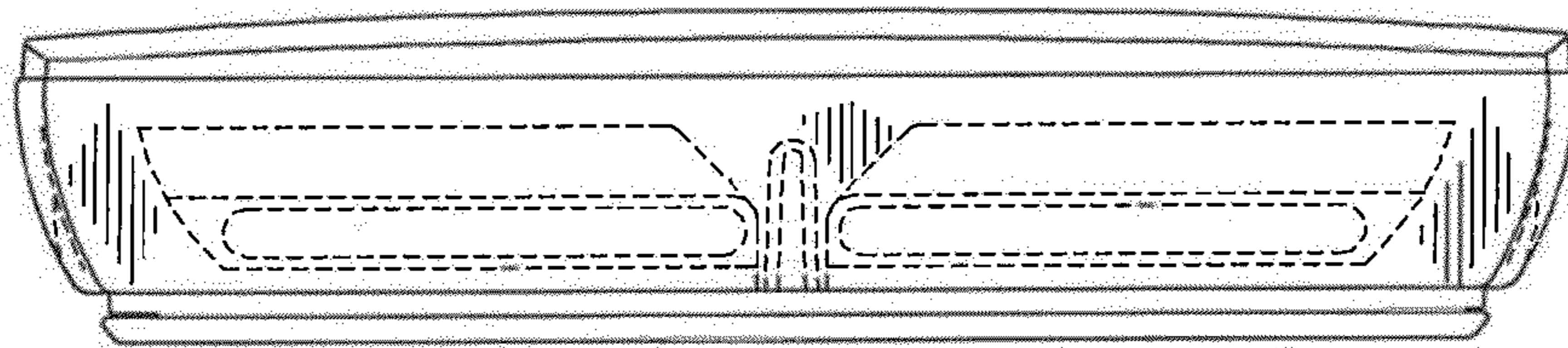


FIG 4

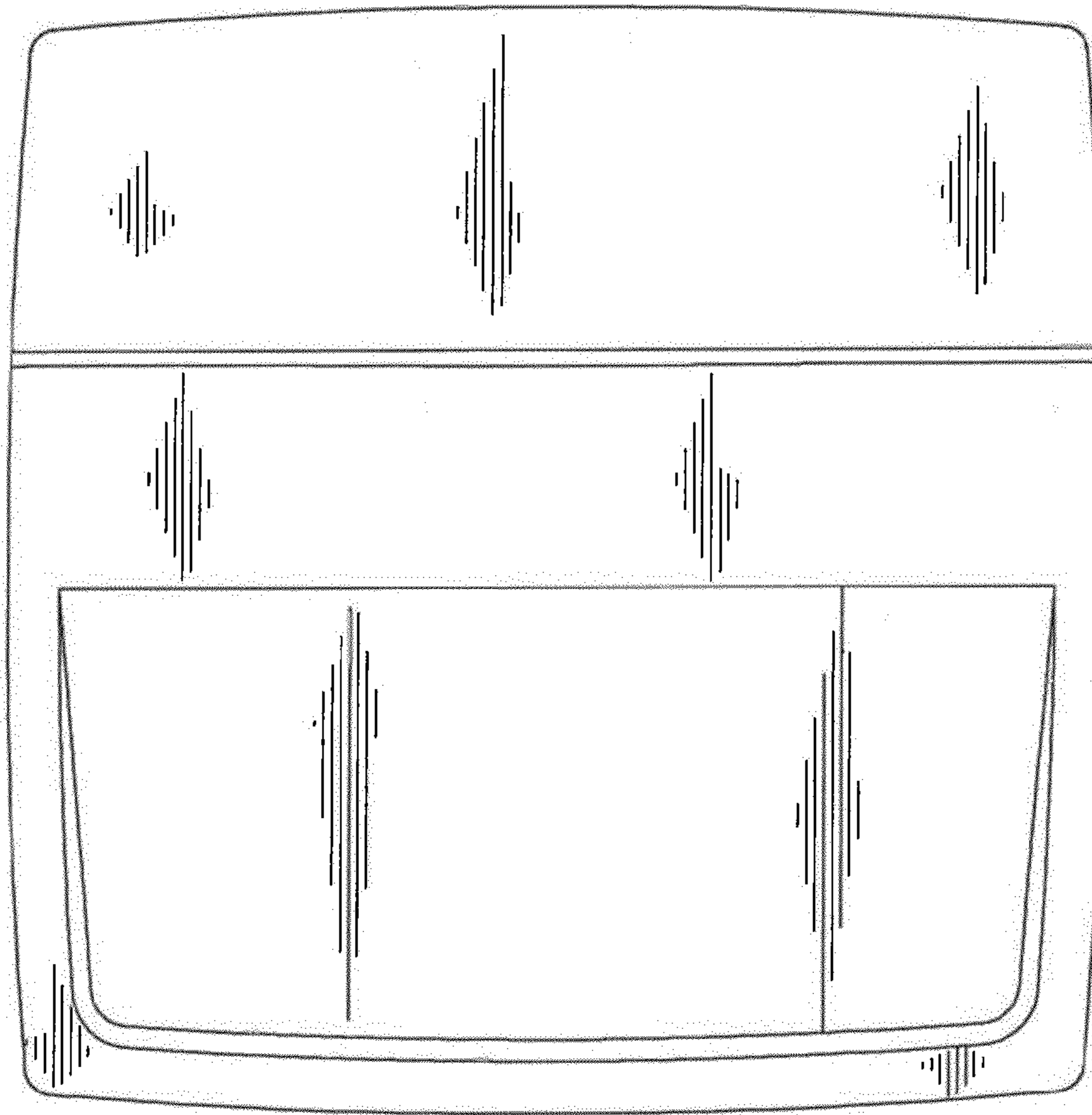


FIG 5