

US00D699138S

(12) **United States Design Patent**
Wurts et al.

(10) **Patent No.:** **US D699,138 S**

(45) **Date of Patent:** **** Feb. 11, 2014**

(54) **WIRED REFRIGERANT SCALE CONTROLLER**

(71) Applicants: **Adolfo Jose Wurts**, Orange, CA (US);
Jason Corbett Gilley, Hacienda Heights, CA (US)

(72) Inventors: **Adolfo Jose Wurts**, Orange, CA (US);
Jason Corbett Gilley, Hacienda Heights, CA (US)

(73) Assignee: **Fieldpiece Instruments, Inc.**, Anaheim, CA (US)

(**) Term: **14 Years**

(21) Appl. No.: **29/461,081**

(22) Filed: **Jul. 18, 2013**

(51) **LOC (10) Cl.** **10-04**

(52) **U.S. Cl.**
USPC **D10/94**

(58) **Field of Classification Search**
USPC D10/87, 88, 91-94; 177/2-13, 15-24,
177/25.11-29, 177, 201-215, 225-237,
177/238-243, DIG. 3, 178-182; 62/126,
62/127, 149, 238.6, 282, 292; D13/168;
D14/218

See application file for complete search history.

(56) **References Cited**

U.S. PATENT DOCUMENTS

D577,713	S	*	9/2008	Kim et al.	D14/218
D578,917	S	*	10/2008	Otsuka et al.	D10/94
D582,308	S	*	12/2008	Kajita	D10/94
7,710,714	B2	*	5/2010	Rapp et al.	177/25.12
7,979,116	B2	*	7/2011	Tseng et al.	177/25.12

* cited by examiner

Primary Examiner — Antoine D Davis

(74) *Attorney, Agent, or Firm* — Lynn & Lynn; John H. Lynn

(57) **CLAIM**

The ornamental design for a wired refrigerant scale controller, as shown and described.

DESCRIPTION

FIG. 1 is a front elevation view of our new design.
FIG. 2 is a left side view thereof;
FIG. 3 is a top plan view thereof;
FIG. 4 is a bottom plan view thereof;
FIG. 5 is a back side elevation view thereof; and,
FIG. 6 is a perspective view showing the top, front and right sides thereof.
The right and left side elevations are identical.

1 Claim, 2 Drawing Sheets

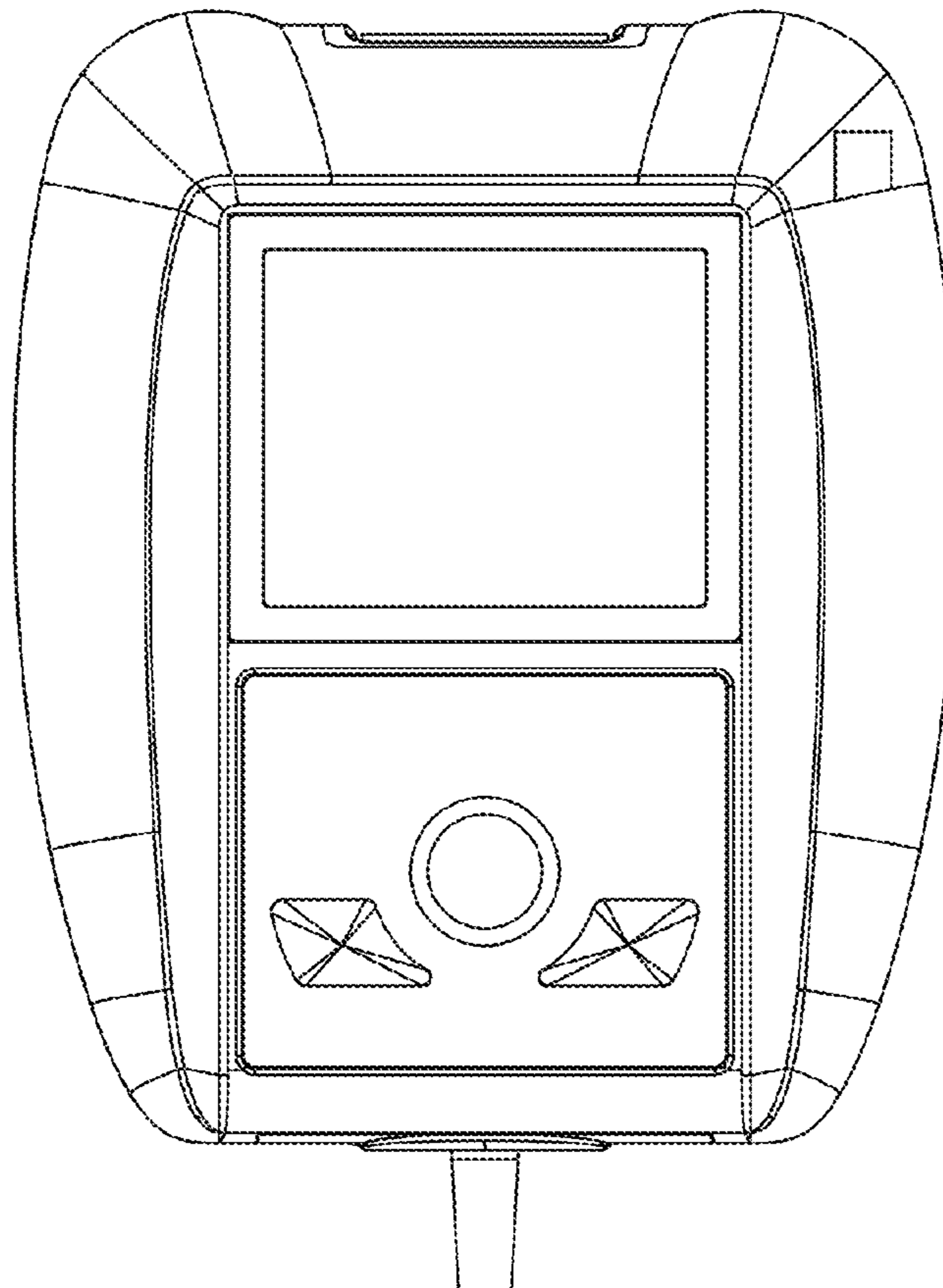


FIG. 3

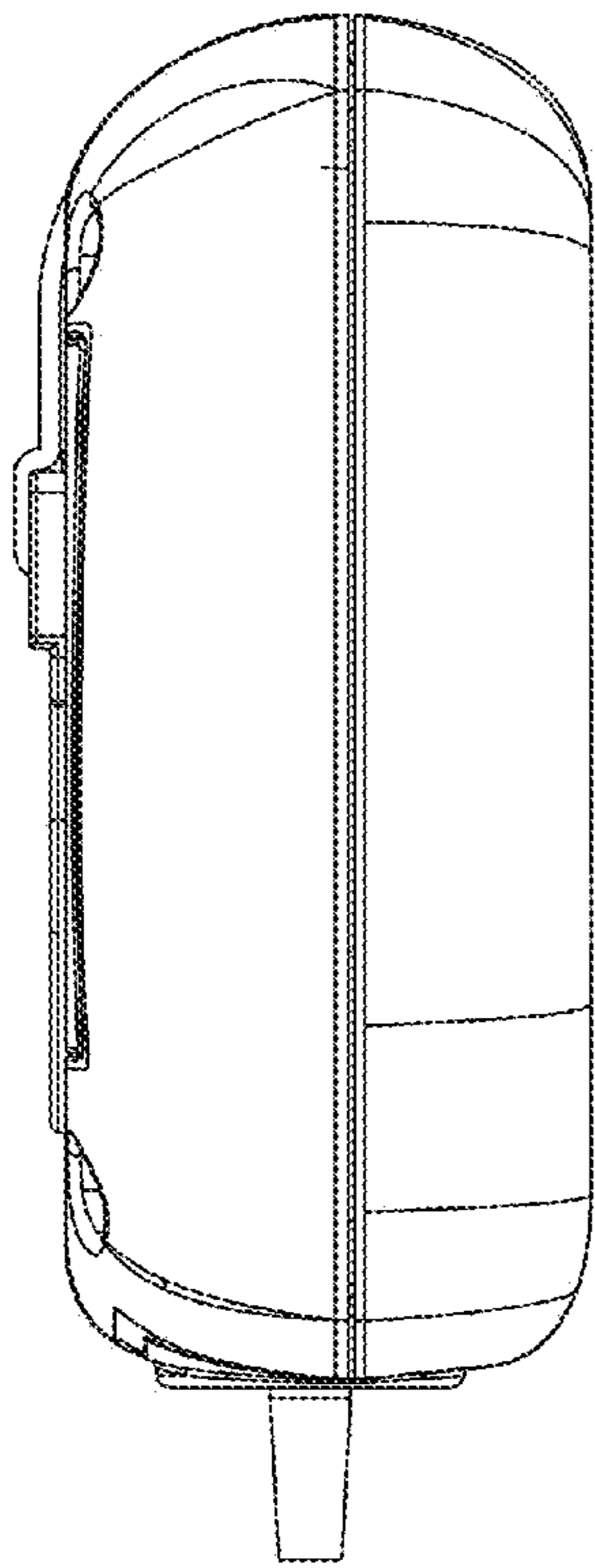
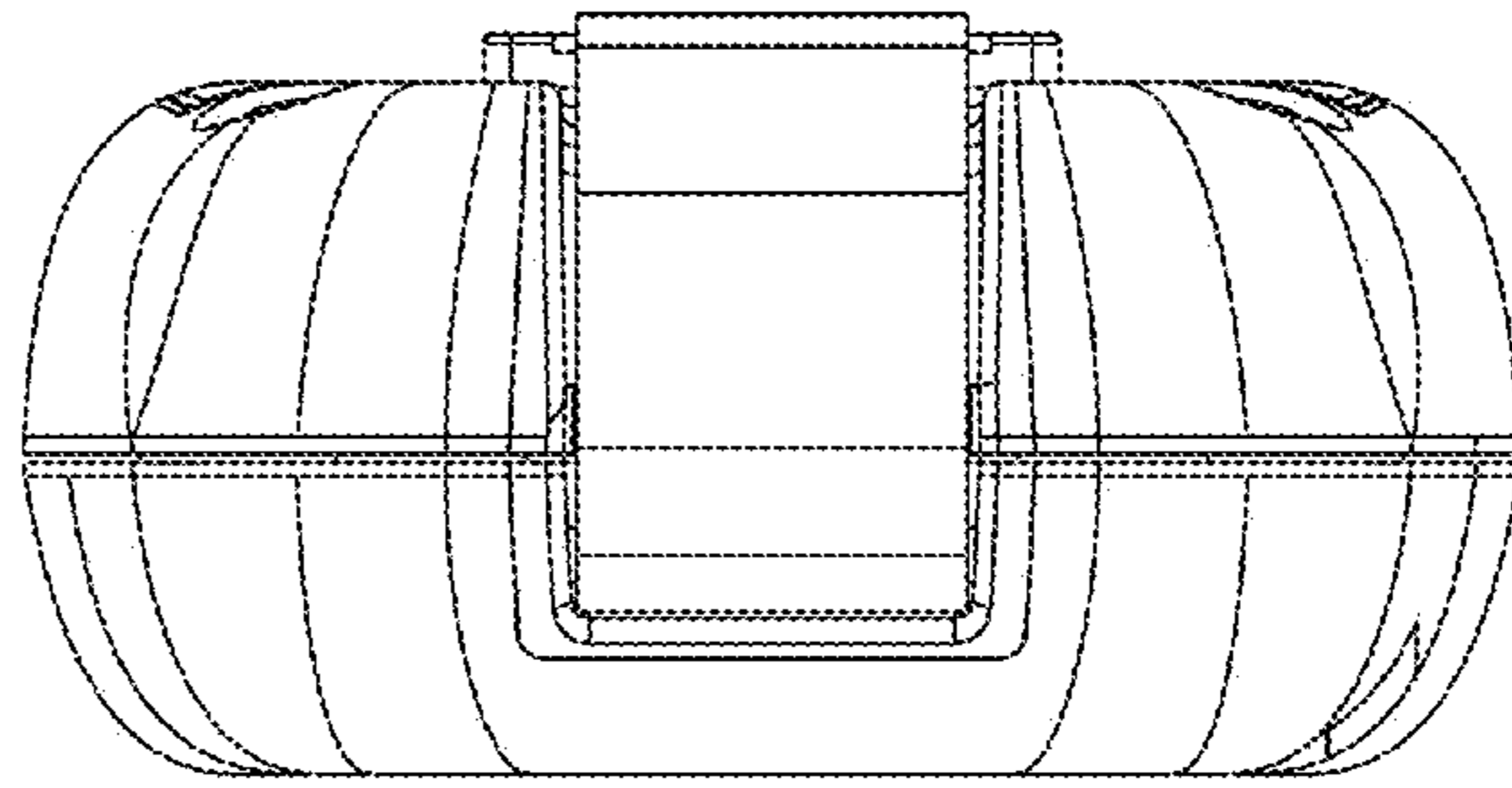


FIG. 2

FIG. 1

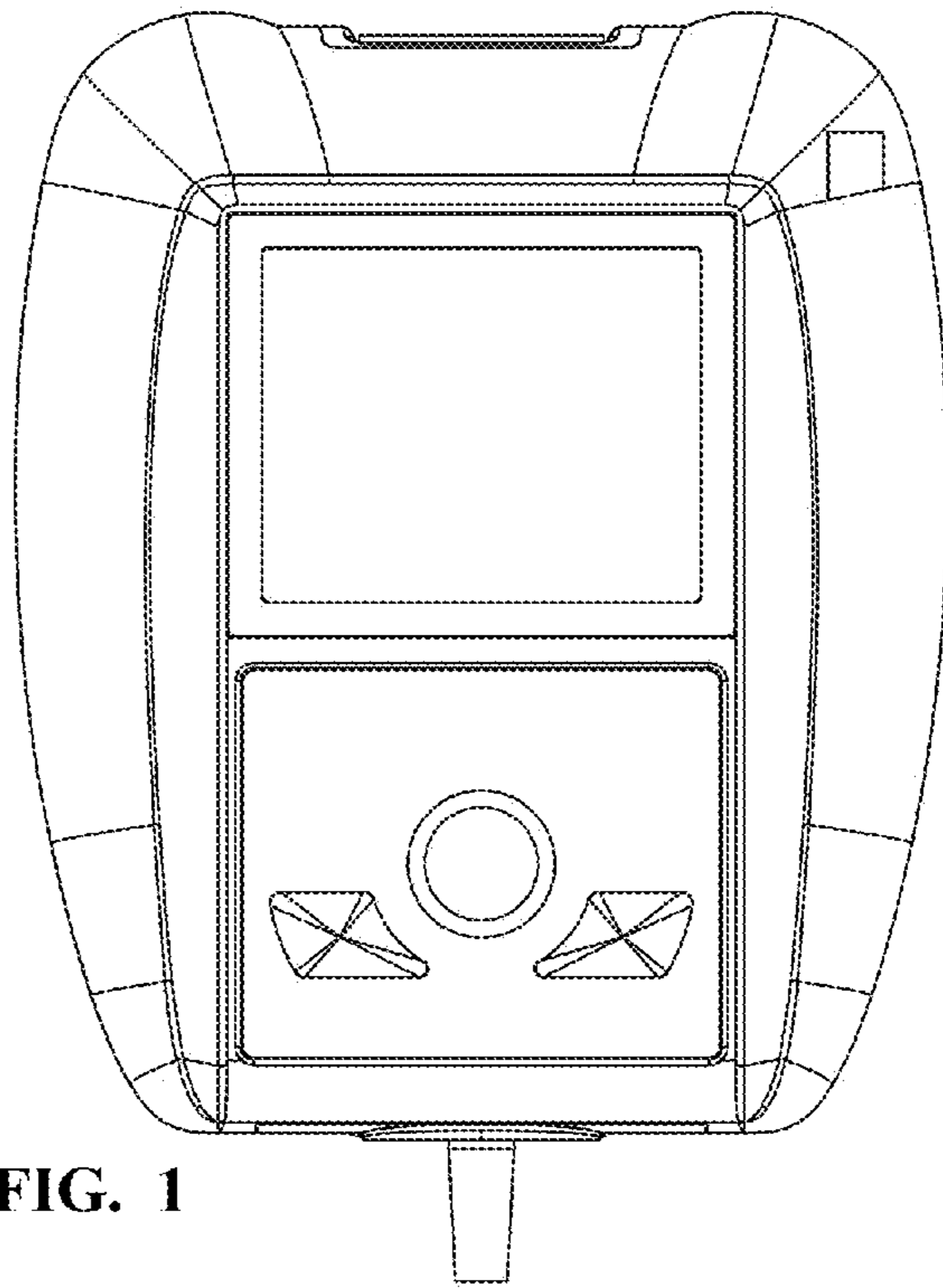


FIG. 4

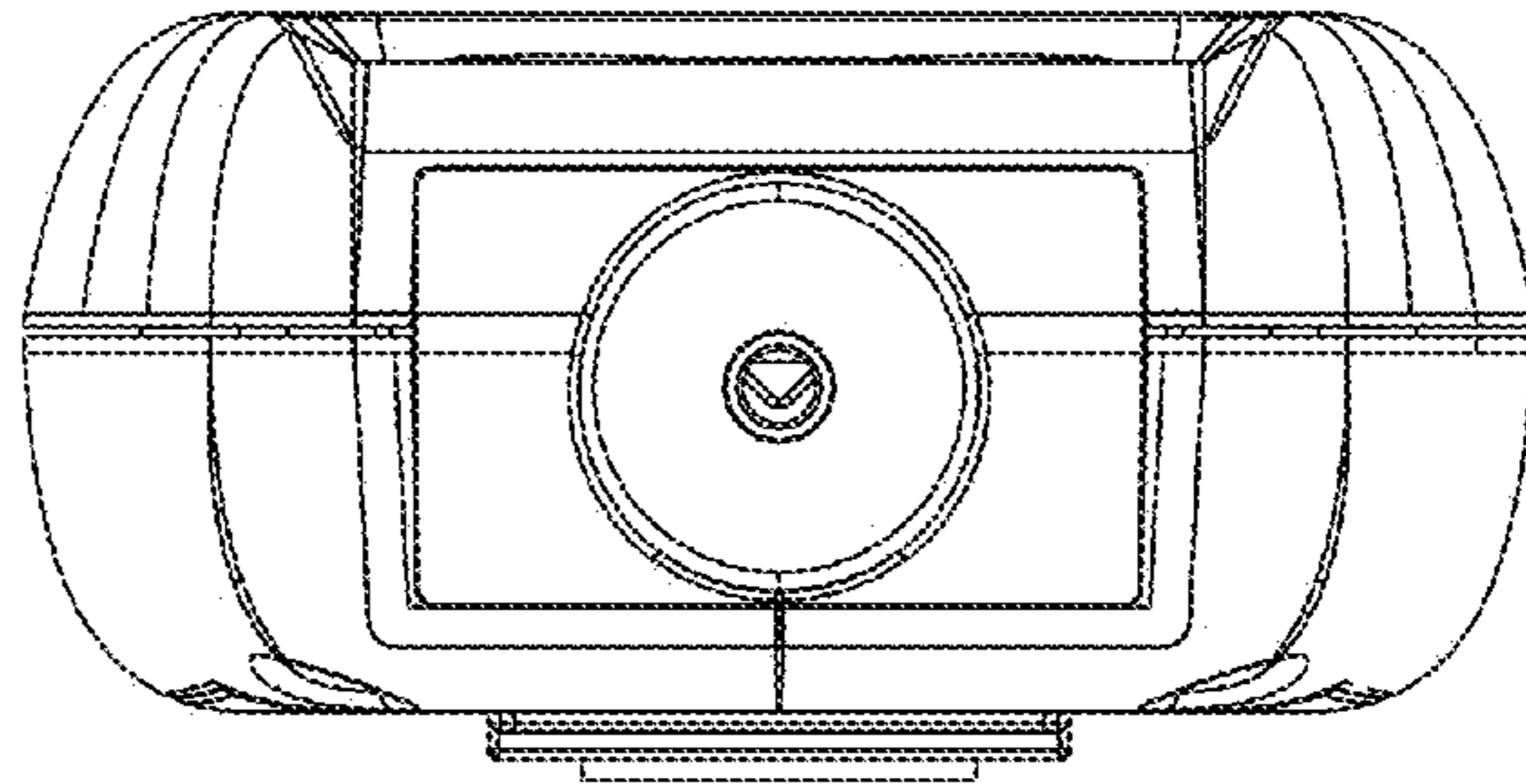


FIG. 5

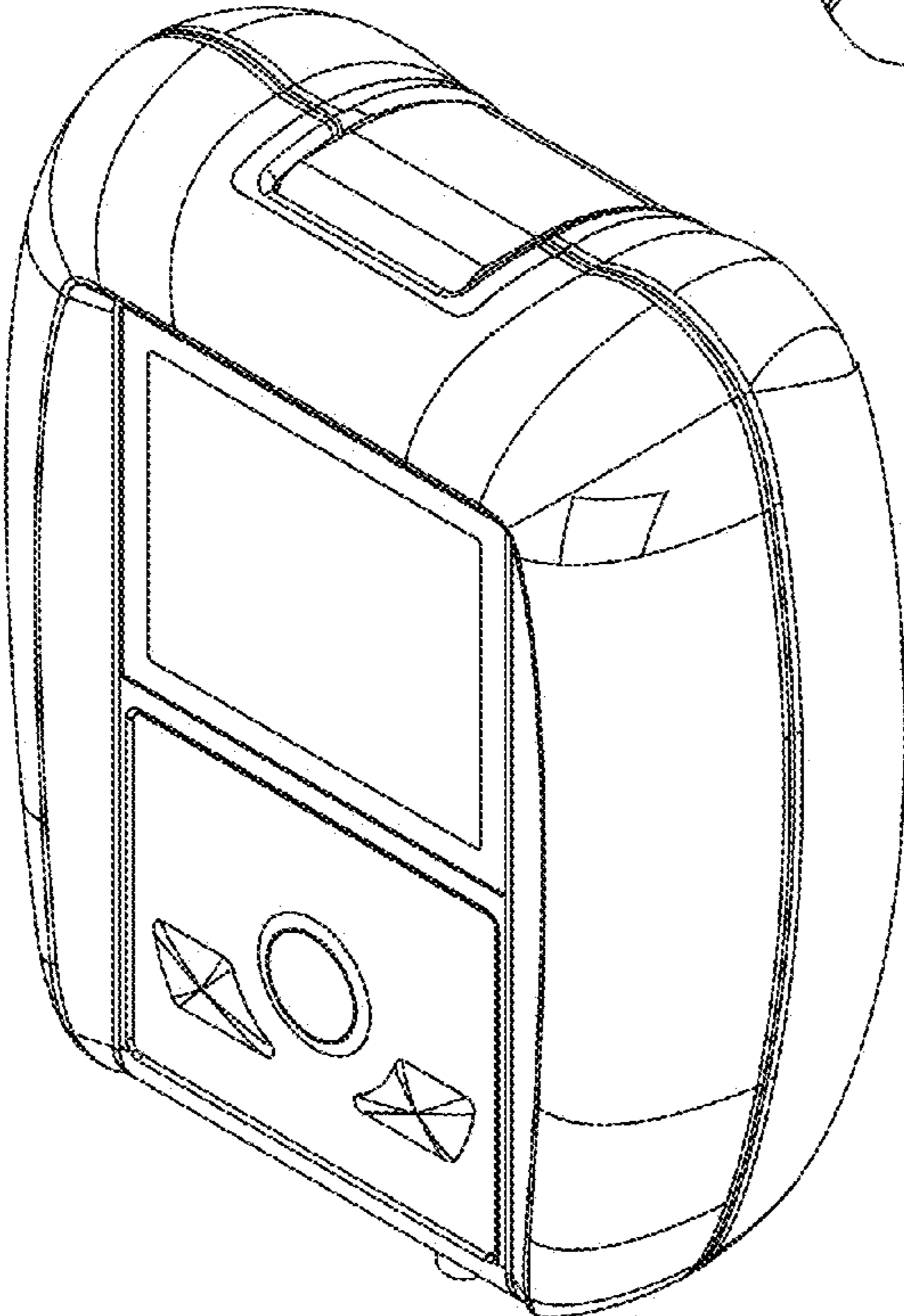
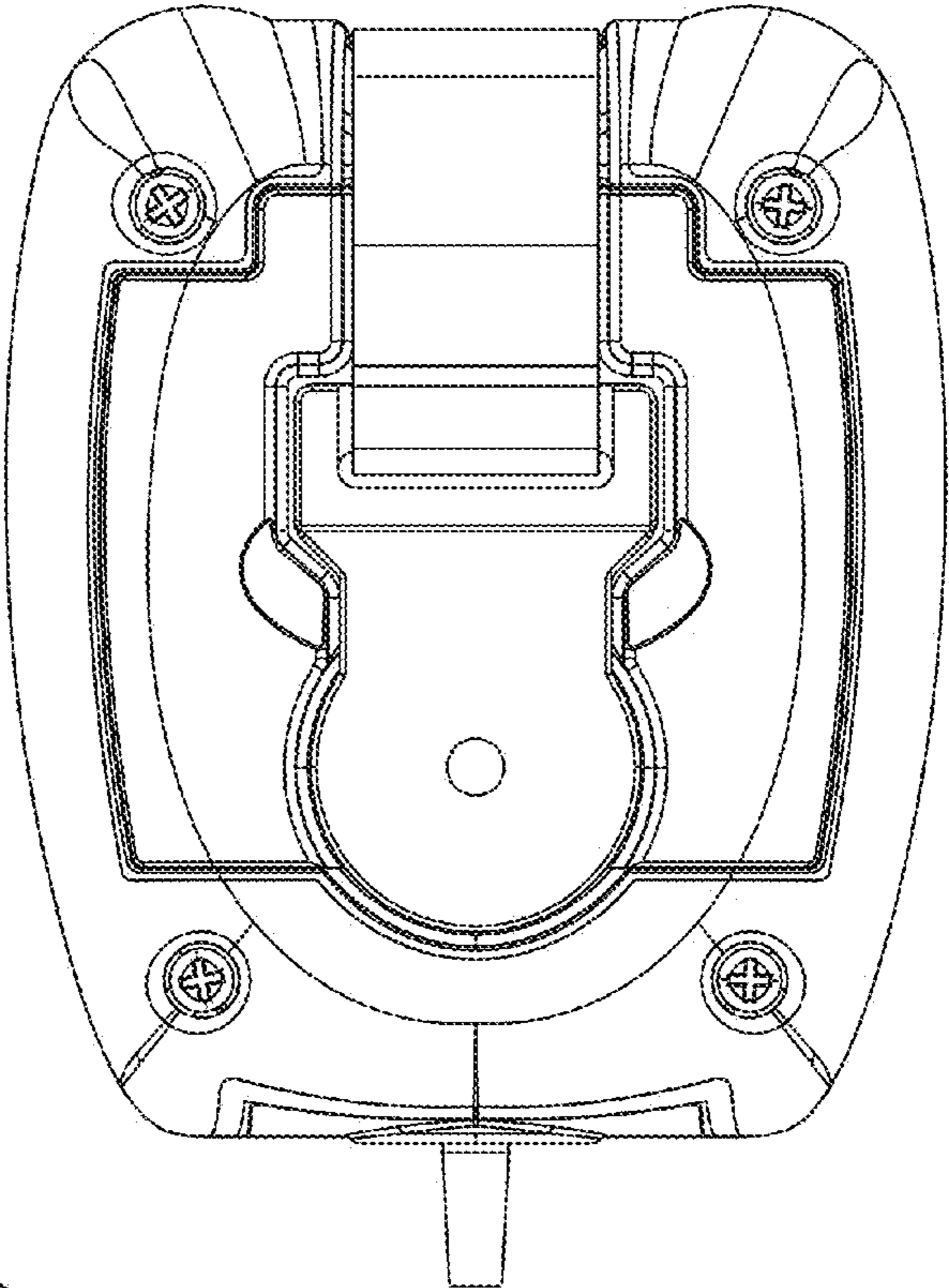


FIG. 6