



US00D699137S

(12) **United States Design Patent**
Wurts et al.

(10) **Patent No.:** **US D699,137 S**
(45) **Date of Patent:** **** Feb. 11, 2014**

(54) **WIRED REFRIGERANT SCALE PLATFORM**

(56) **References Cited**

(71) Applicants: **Adolfo Jose Wurts**, Orange, CA (US);
Jason Corbett Gilley, Hacienda Heights, CA (US)

U.S. PATENT DOCUMENTS

D614,056 S * 4/2010 Ulrich D10/92

* cited by examiner

(72) Inventors: **Adolfo Jose Wurts**, Orange, CA (US);
Jason Corbett Gilley, Hacienda Heights, CA (US)

Primary Examiner — Antoine D Davis

(74) *Attorney, Agent, or Firm* — Lynn + Lynn; John H Lynn

(73) Assignee: **Fieldpiece Instruments, Inc.**, Anaheim, CA (US)

(57) **CLAIM**

The ornamental design for a wireless refrigerant scale platform, as shown and described.

(**) Term: **14 Years**

DESCRIPTION

(21) Appl. No.: **29/461,092**

FIG. 1 is a top plan view thereof;

FIG. 2 is a bottom plan view thereof;

(22) Filed: **Jul. 18, 2013**

FIG. 3 is a perspective view showing the top, front, right and left sides thereof;

(51) **LOC (10) Cl.** **10-04**

FIG. 4 is a front elevation view thereof; and,

(52) **U.S. Cl.**

FIG. 5 is a right side elevation view thereof.

USPC **D10/92**; D10/91

The rear and left side elevations are identical to the right side elevation.

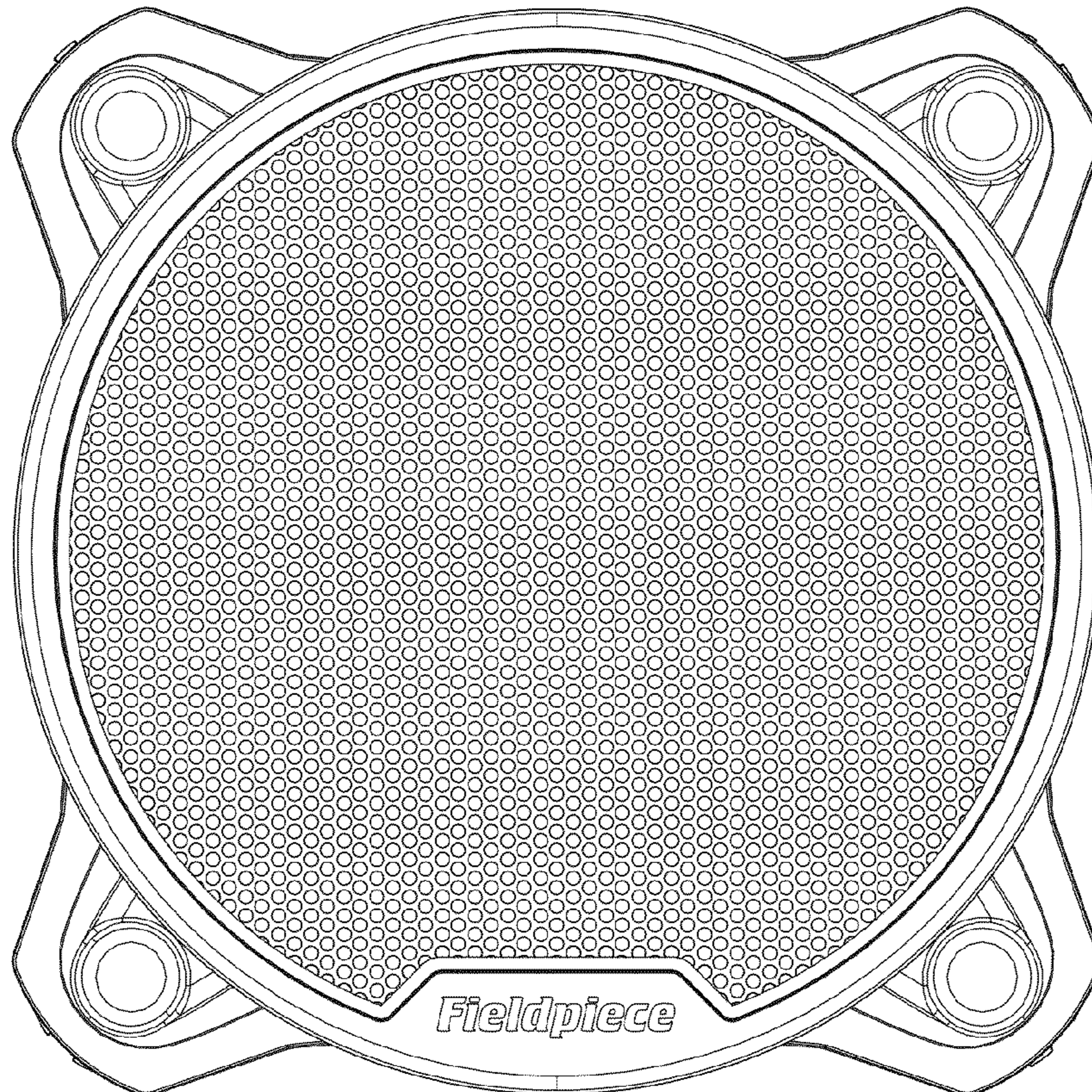
(58) **Field of Classification Search**

USPC D10/87, 88, 91-94; 177/2-13, 15-24,
177/25.11-29, 177, 201-215, 225-237,
177/238-243, DIG. 3, 178-182; 62/126,
62/127, 149, 238.6, 282, 292

The title "Fieldpiece" forming a part of the claimed design is a registered trademark having U.S. Trademark Registration No. 2,274,247 and is owned by Fieldpiece Instruments, Inc., owner of the claimed design.

See application file for complete search history.

1 Claim, 2 Drawing Sheets



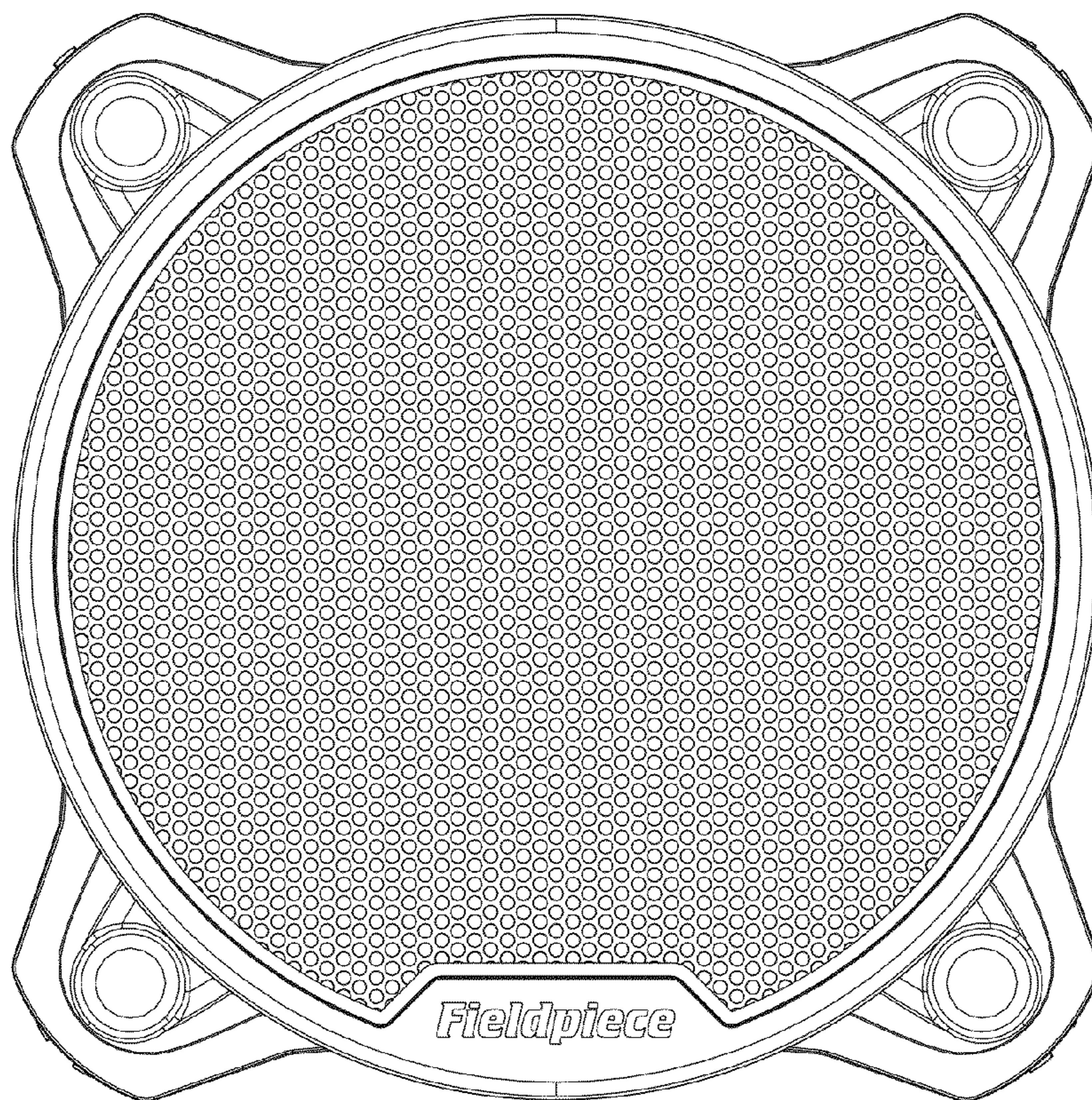


FIG. 1

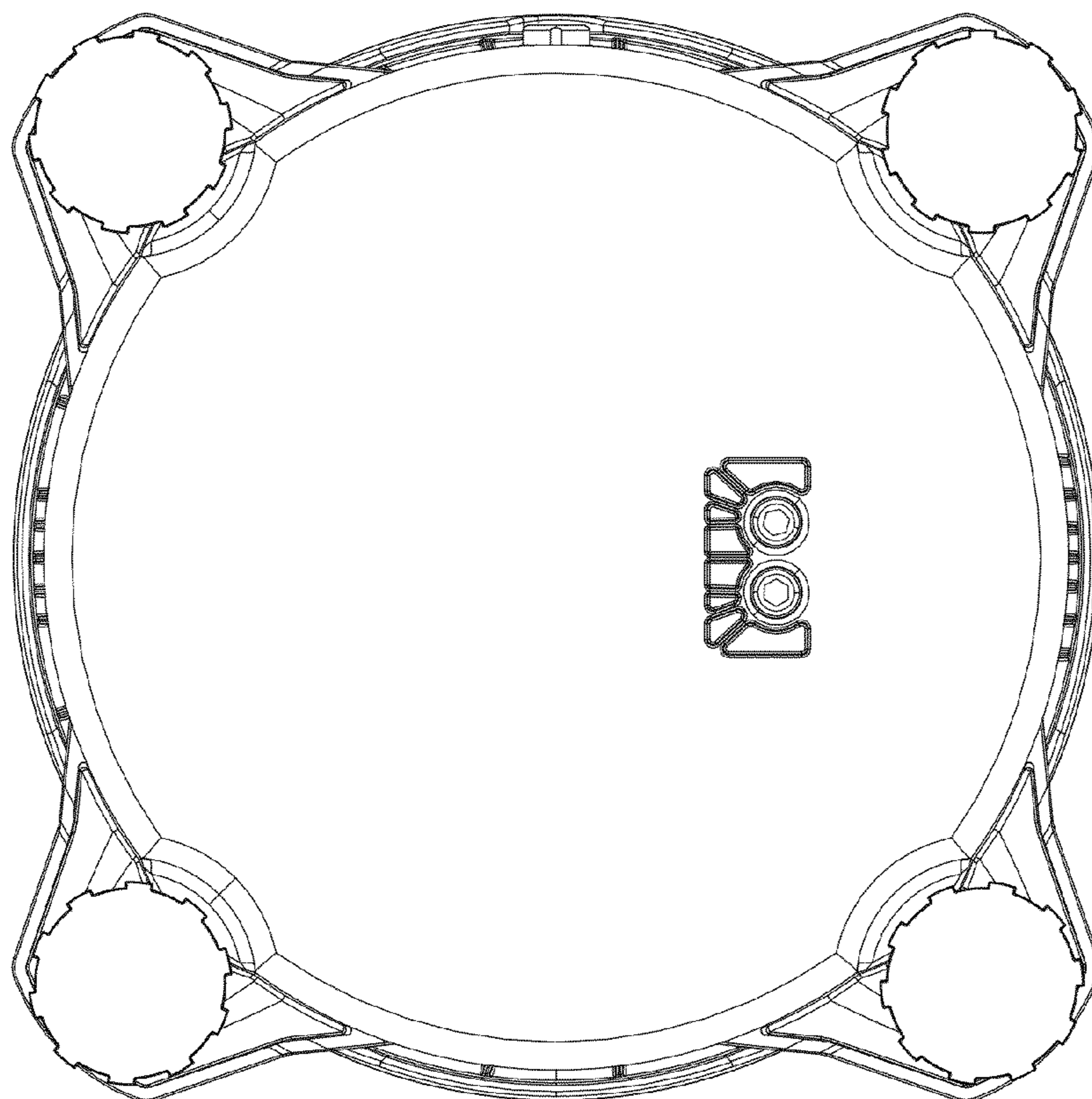


FIG. 2

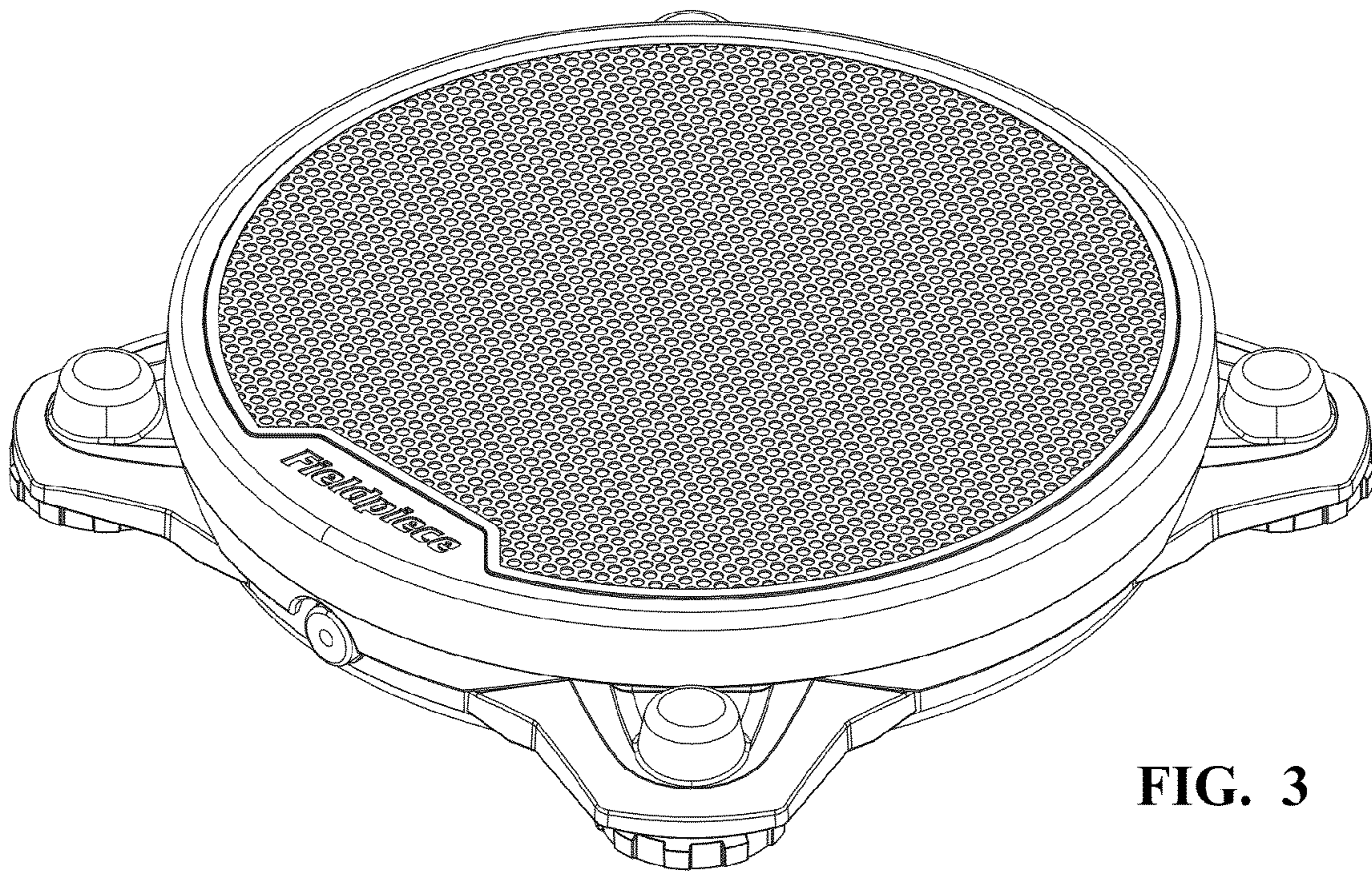


FIG. 3

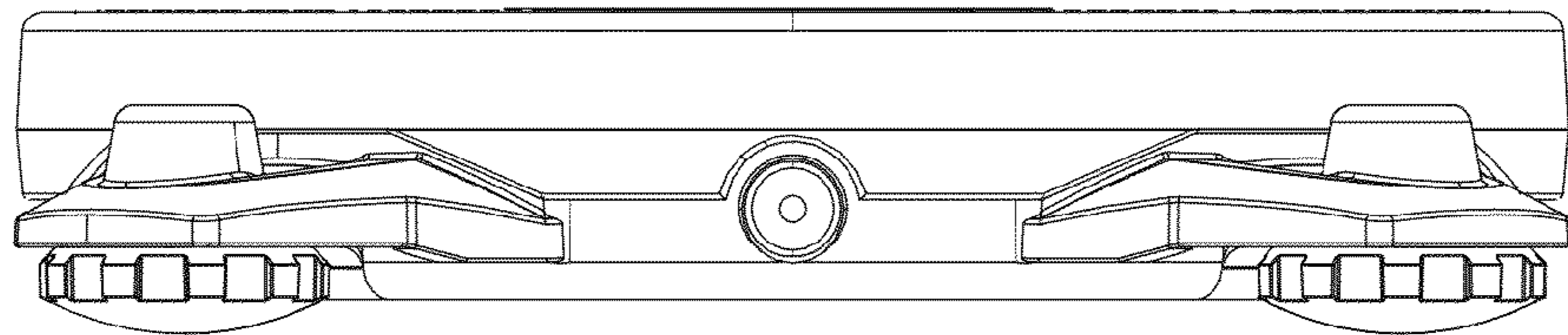


FIG. 4

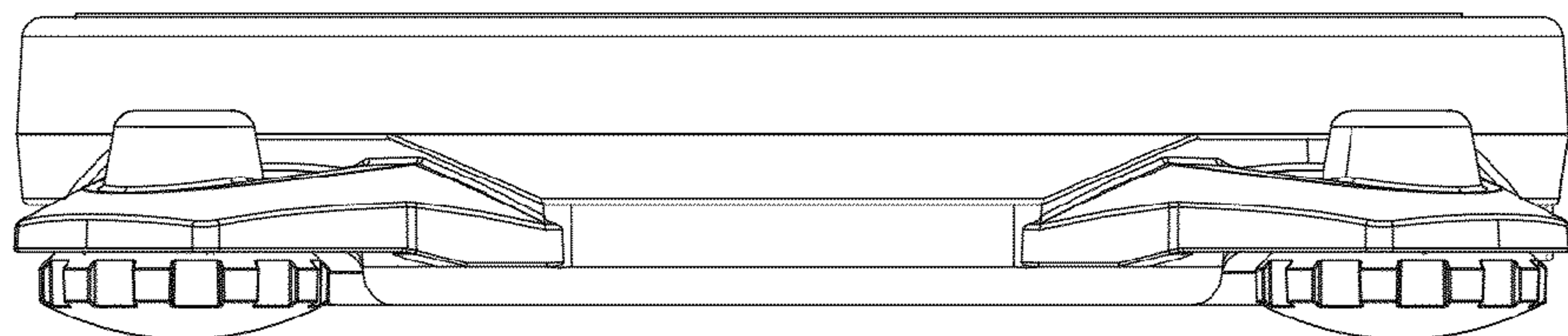


FIG. 5