

US00D699136S

(12) **United States Design Patent**  
**Ammon**

(10) **Patent No.:** **US D699,136 S**  
(45) **Date of Patent:** **\*\* Feb. 11, 2014**

(54) **WEIGHING INSTRUMENT**  
(71) Applicant: **Mettler-Toledo AG**, Greifensee (CH)  
(72) Inventor: **Patrick Ammon**, Brügg (CH)  
(73) Assignee: **Mettler-Toledo AG**, Greifensee (CH)  
(\*\*) Term: **14 Years**

D596,973 S \* 7/2009 Pohl et al. .... D10/91  
D599,238 S \* 9/2009 Pohl et al. .... D10/91  
D599,239 S \* 9/2009 Pohl et al. .... D10/91  
D599,240 S \* 9/2009 Pohl et al. .... D10/91  
D599,690 S \* 9/2009 Pohl et al. .... D10/91  
D599,691 S \* 9/2009 Pohl et al. .... D10/91  
D599,692 S \* 9/2009 Marmier ..... D10/91  
D622,623 S \* 8/2010 Pohl et al. .... D10/91  
D622,624 S \* 8/2010 Pohl et al. .... D10/91  
D688,964 S \* 9/2013 Lauer ..... D10/91

\* cited by examiner

(21) Appl. No.: **29/446,215**  
(22) Filed: **Feb. 21, 2013**

*Primary Examiner* — Antoine D Davis  
(74) *Attorney, Agent, or Firm* — Standley Law Group LLP

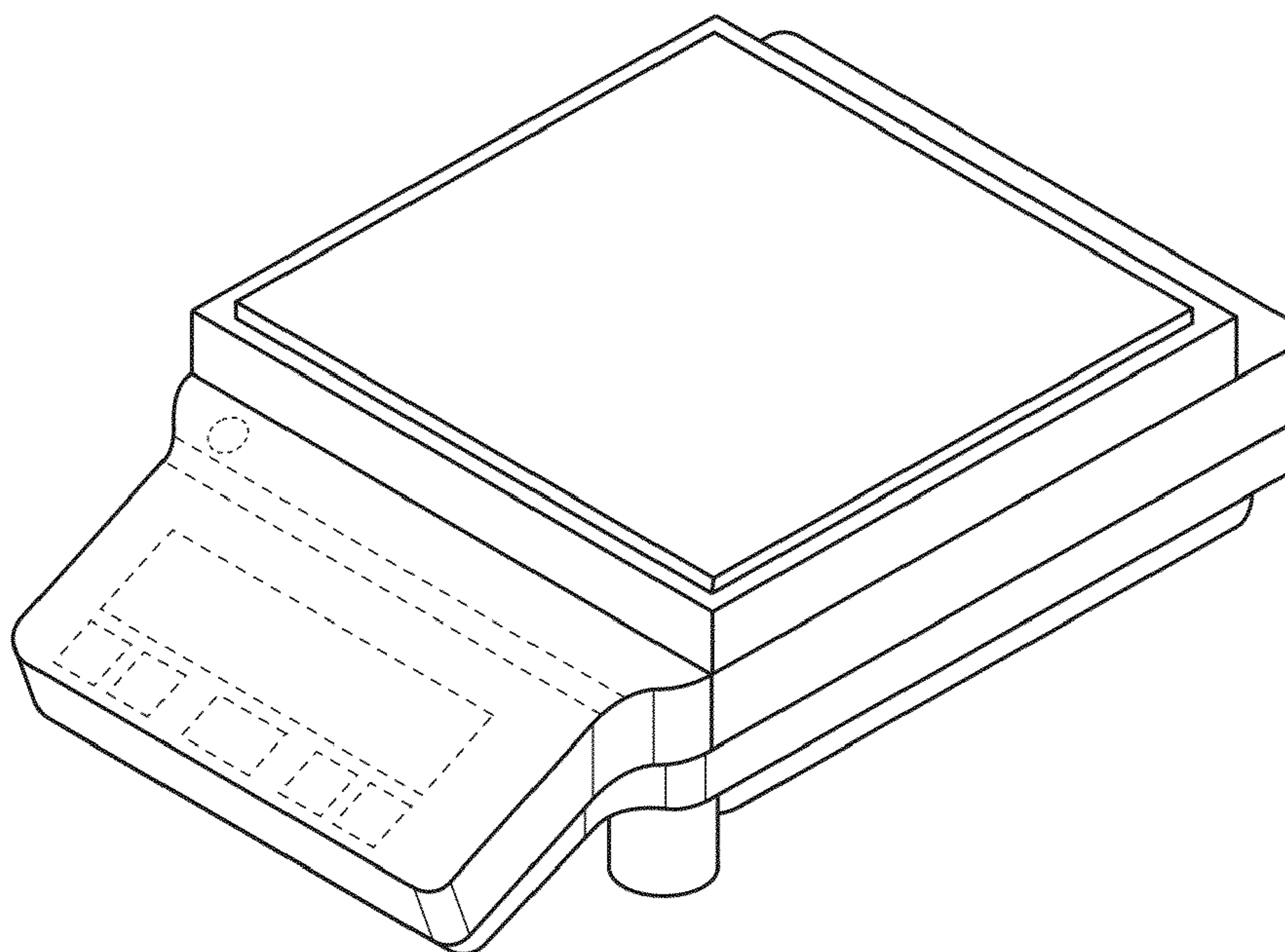
(30) **Foreign Application Priority Data**  
Aug. 24, 2012 (EM) ..... 002092007  
(51) **LOC (10) Cl.** ..... **10-04**  
(52) **U.S. Cl.**  
USPC ..... **D10/91**  
(58) **Field of Classification Search**  
USPC ..... D10/87, 88, 91-94; 177/2-13, 15-24,  
177/25.11-29, 177, 201-215, 225-237,  
177/238-243, DIG. 3, 178-182  
See application file for complete search history.

(57) **CLAIM**  
The ornamental design for a weighing instrument, as shown and described.

(56) **References Cited**  
U.S. PATENT DOCUMENTS  
D587,608 S \* 3/2009 Marmier ..... D10/91  
D587,609 S \* 3/2009 Marmier ..... D10/91

**DESCRIPTION**  
FIG. 1 is a front perspective view of the weighing instrument, with broken lining on a surface showing functional elements that are not considered part of the design;  
FIG. 2 is a left side elevation view of the FIG. 1 device;  
FIG. 3 is a right side elevation view of the FIG. 1 device;  
FIG. 4 is a front elevation view of the FIG. 1 device;  
FIG. 5 is a rear elevation view of the FIG. 1 device;  
FIG. 6 is a top plan view of the FIG. 1 device; and,  
FIG. 7 is a bottom plan view of the FIG. 1 device.

**1 Claim, 3 Drawing Sheets**



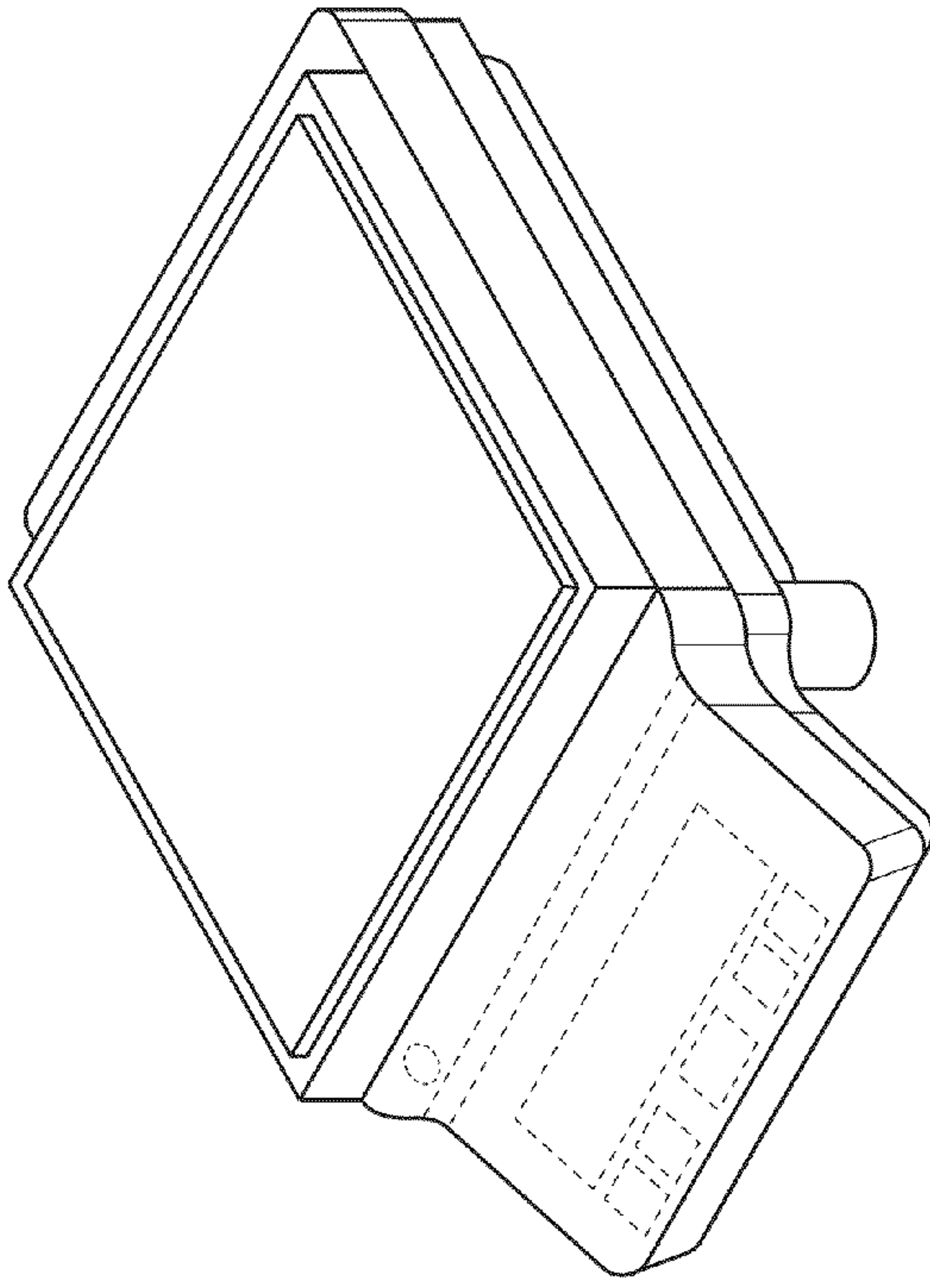


Fig. 1

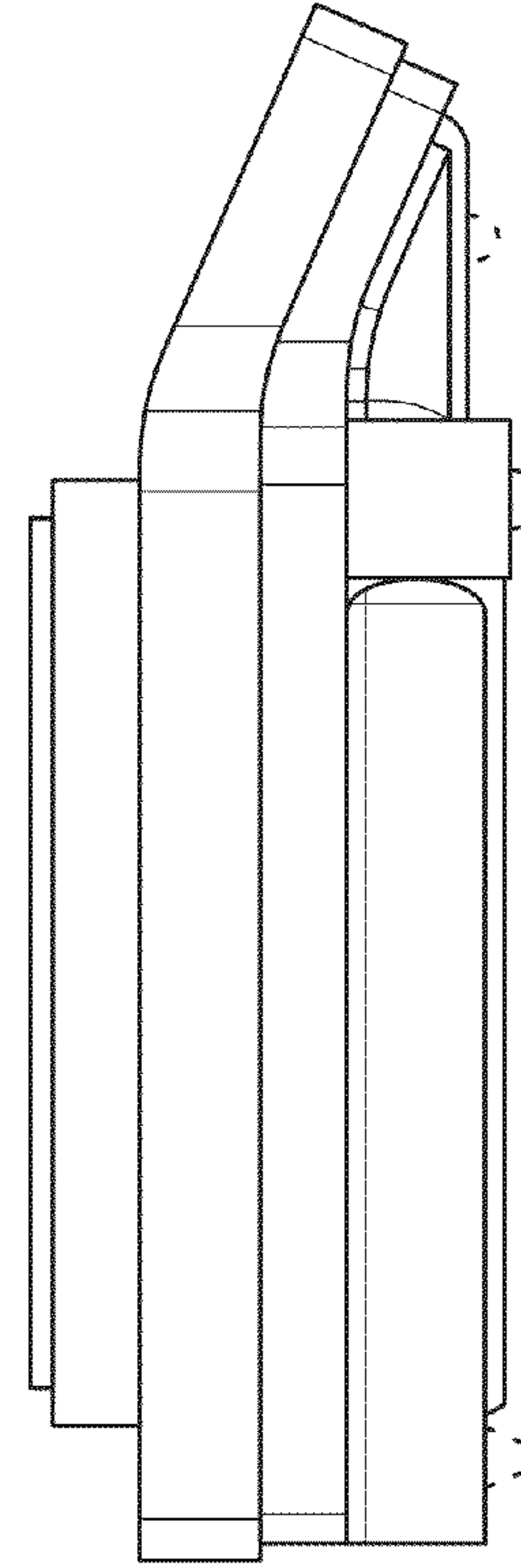


Fig. 3

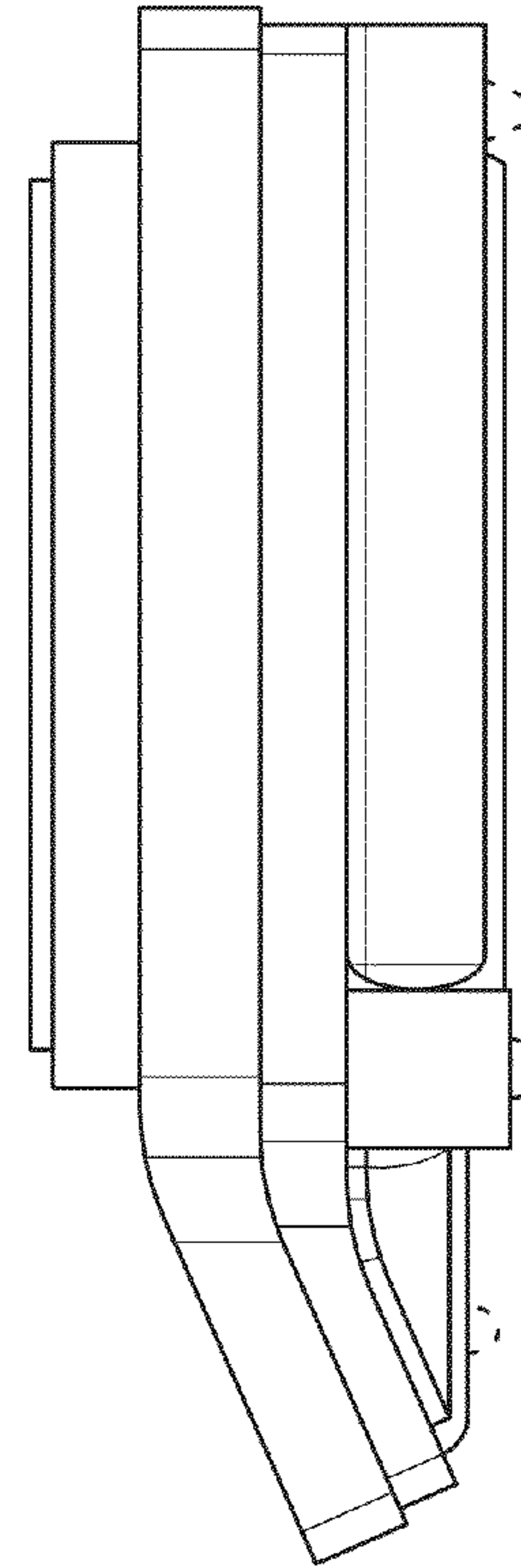


Fig. 2

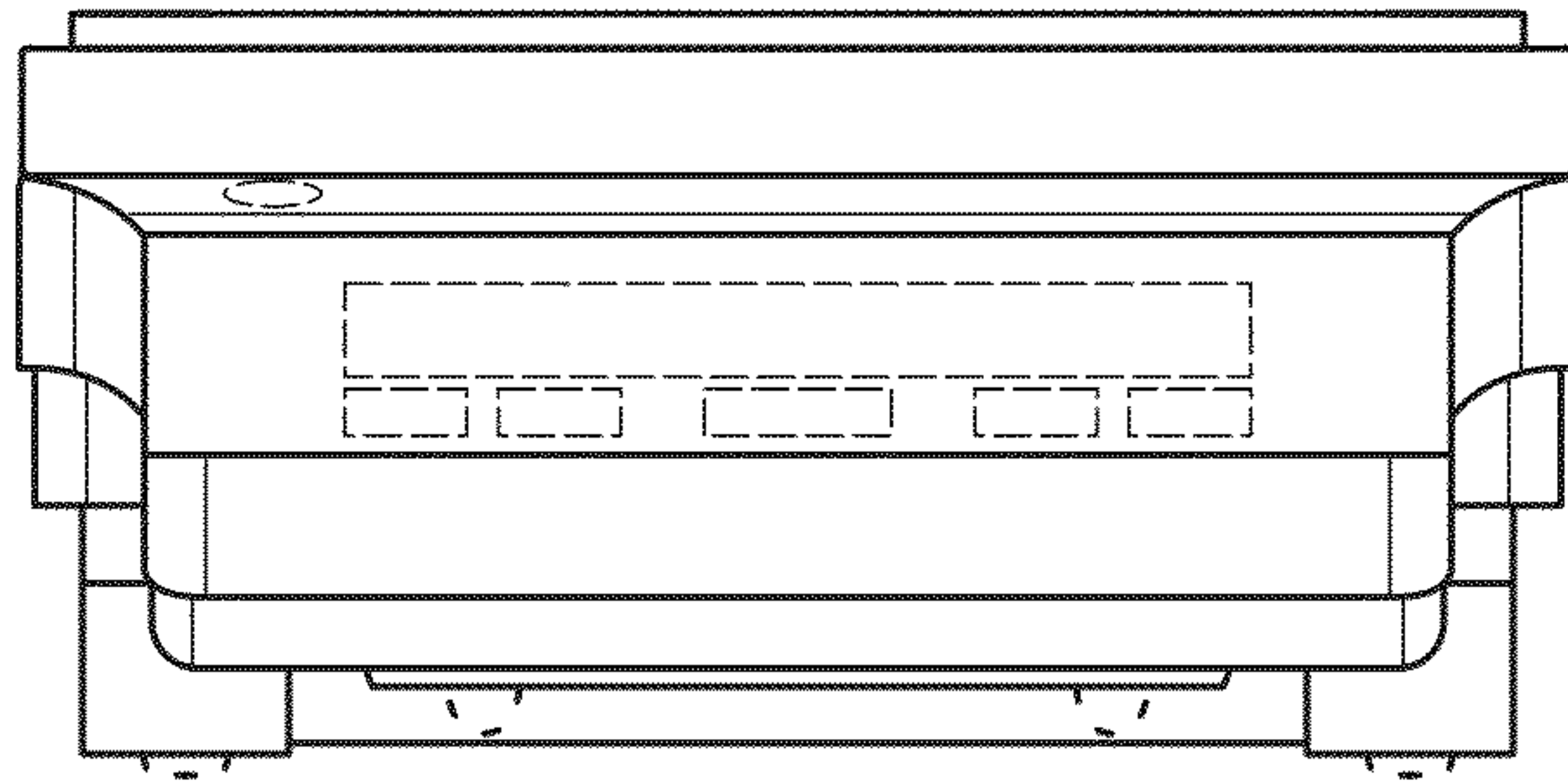


Fig. 4

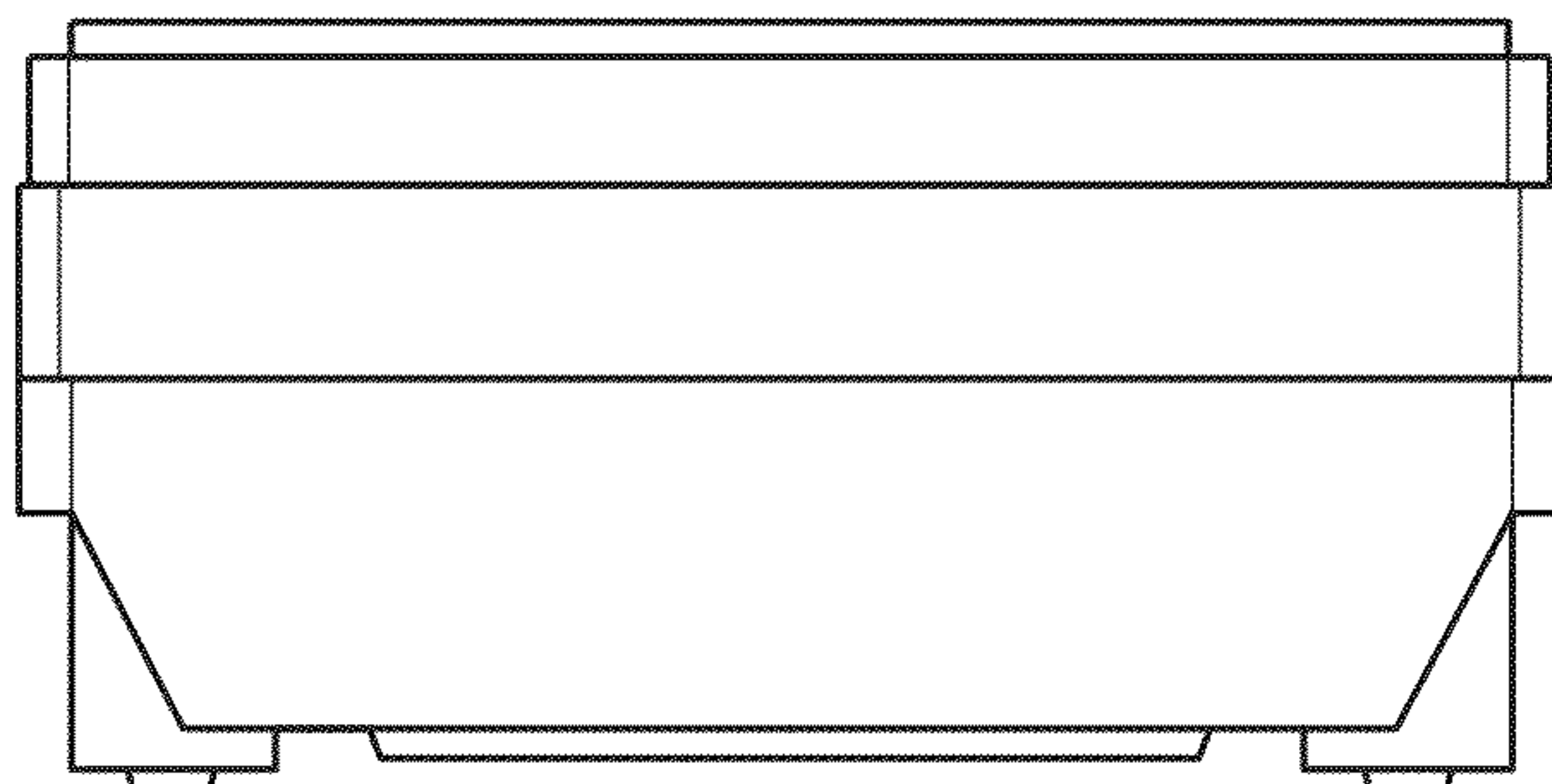


Fig. 5

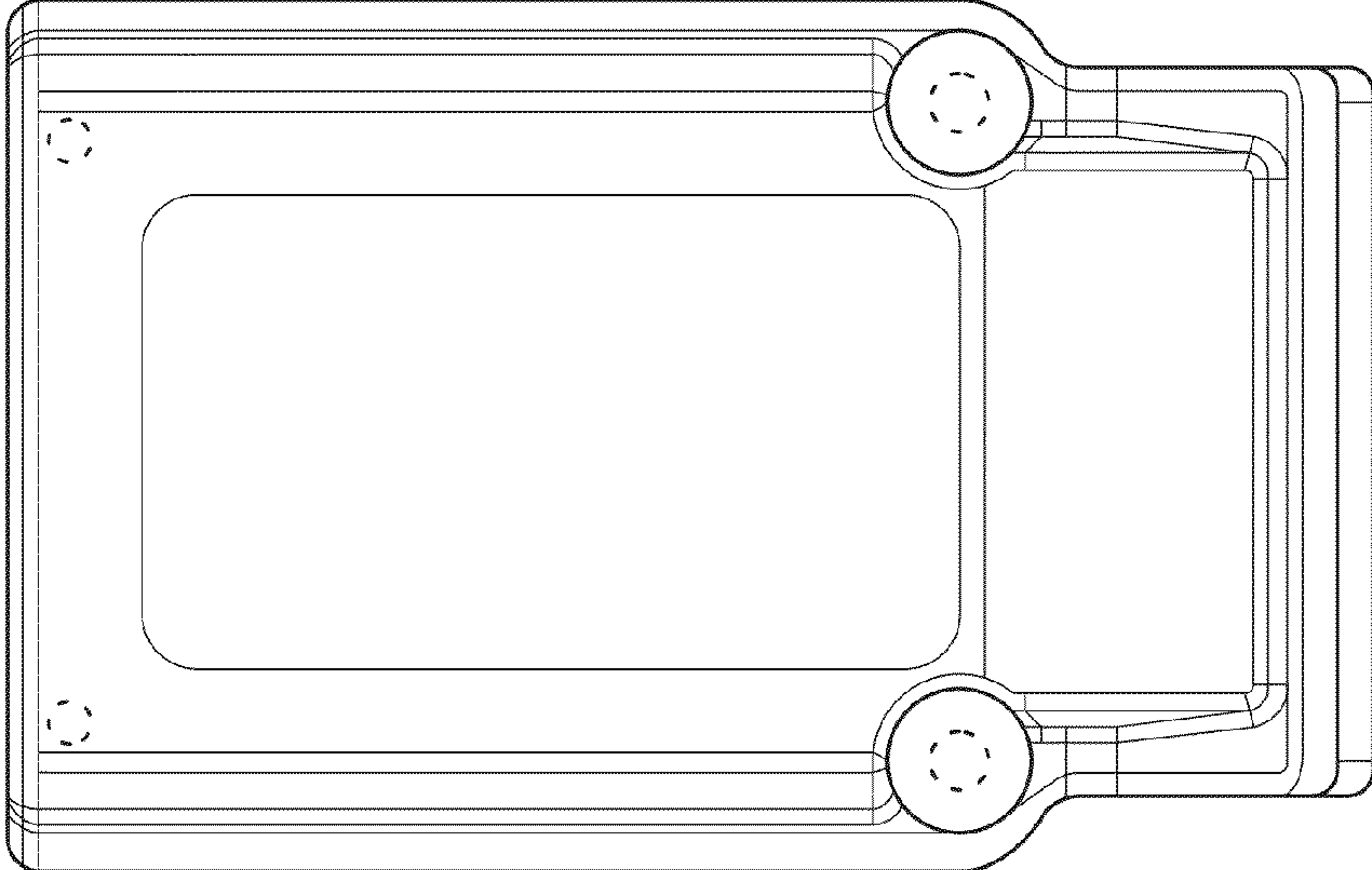


Fig. 7

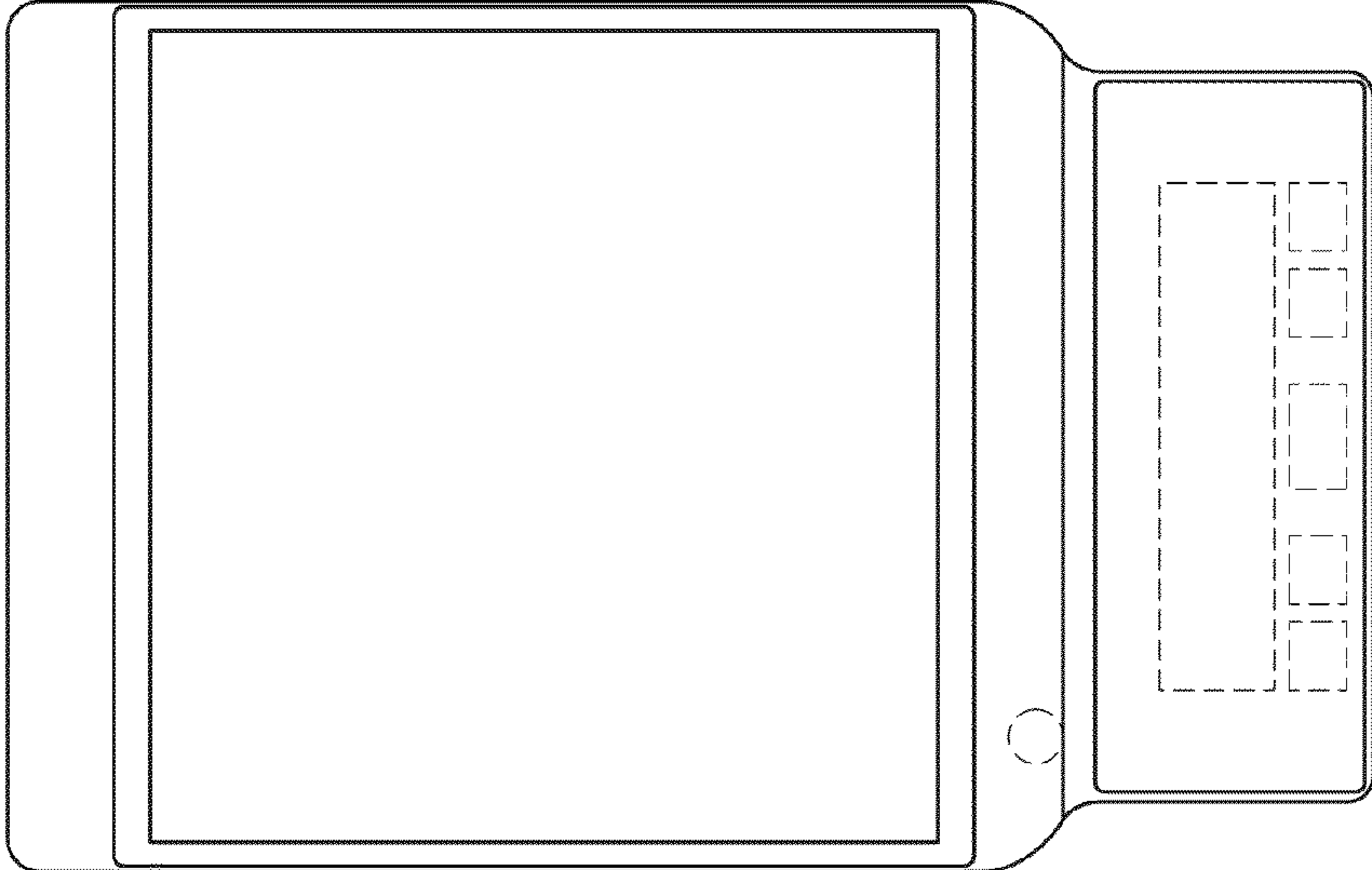


Fig. 6