

US00D699134S

(12) **United States Design Patent**  
**Waler et al.**

(10) **Patent No.:** **US D699,134 S**

(45) **Date of Patent:** **\*\* \*Feb. 11, 2014**

(54) **WATER ANALYSIS INSTRUMENT**

(71) Applicant: **Hach Company**, Loveland, CO (US)

(72) Inventors: **Luke Waler**, Longmont, CO (US); **Jim Duncan**, Loveland, CO (US); **Parijat Prabhudesai**, GOA-Velha (IN); **Doug Golenz**, Boulder, CO (US)

(73) Assignee: **Hach Company**, Loveland, CO (US)

(\*) Notice: This patent is subject to a terminal disclaimer.

(\*\*) Term: **14 Years**

(21) Appl. No.: **29/439,573**

(22) Filed: **Dec. 12, 2012**

(51) **LOC (10) Cl.** ..... **10-04**

(52) **U.S. Cl.**  
USPC ..... **D10/81; D10/78**

(58) **Field of Classification Search**  
USPC ..... D10/75, 78, 81; D24/216, 232-234, D24/186, 224, 225, 223; 422/83-98, 239.2, 422/400, 401, 404, 5-82, 99, 102, 104, 422/430; 435/4, 283.1-284.1, 286.5, 287.1, 435/287.2, 806, 13, 14, 287.4, 287.7, 435/287.94, 6.18, 810, 675, 970, 969, 435/297.3, 288.3, 288.4, 288.5; 436/43-54, 436/68, 900, 514, 530, 95, 805, 808, 806, 436/809, 819, 810, 164, 168, 169, 170

See application file for complete search history.

(56) **References Cited**

U.S. PATENT DOCUMENTS

D602,384	S	*	10/2009	Samborn et al.	.....	D10/81
D608,670	S	*	1/2010	Samborn et al.	.....	D10/81
2012/0051983	A1	*	3/2012	Hoenes et al.	.....	422/430
2012/0288945	A1	*	11/2012	Russell et al.	.....	436/63
2013/0050459	A1	*	2/2013	Fan et al.	.....	348/77
2013/0052748	A1	*	2/2013	Campbell et al.	.....	436/501

\* cited by examiner

*Primary Examiner* — Antoine D Davis

(74) *Attorney, Agent, or Firm* — Ference & Associates LLC

(57) **CLAIM**

The ornamental design for a water analysis instrument, as shown and described.

**DESCRIPTION**

FIG. 1 is a perspective view of the ornamental design for a water analysis instrument.

FIG. 2 is a bottom view thereof.

FIG. 3 is a top view thereof.

FIG. 4 is a left side view thereof.

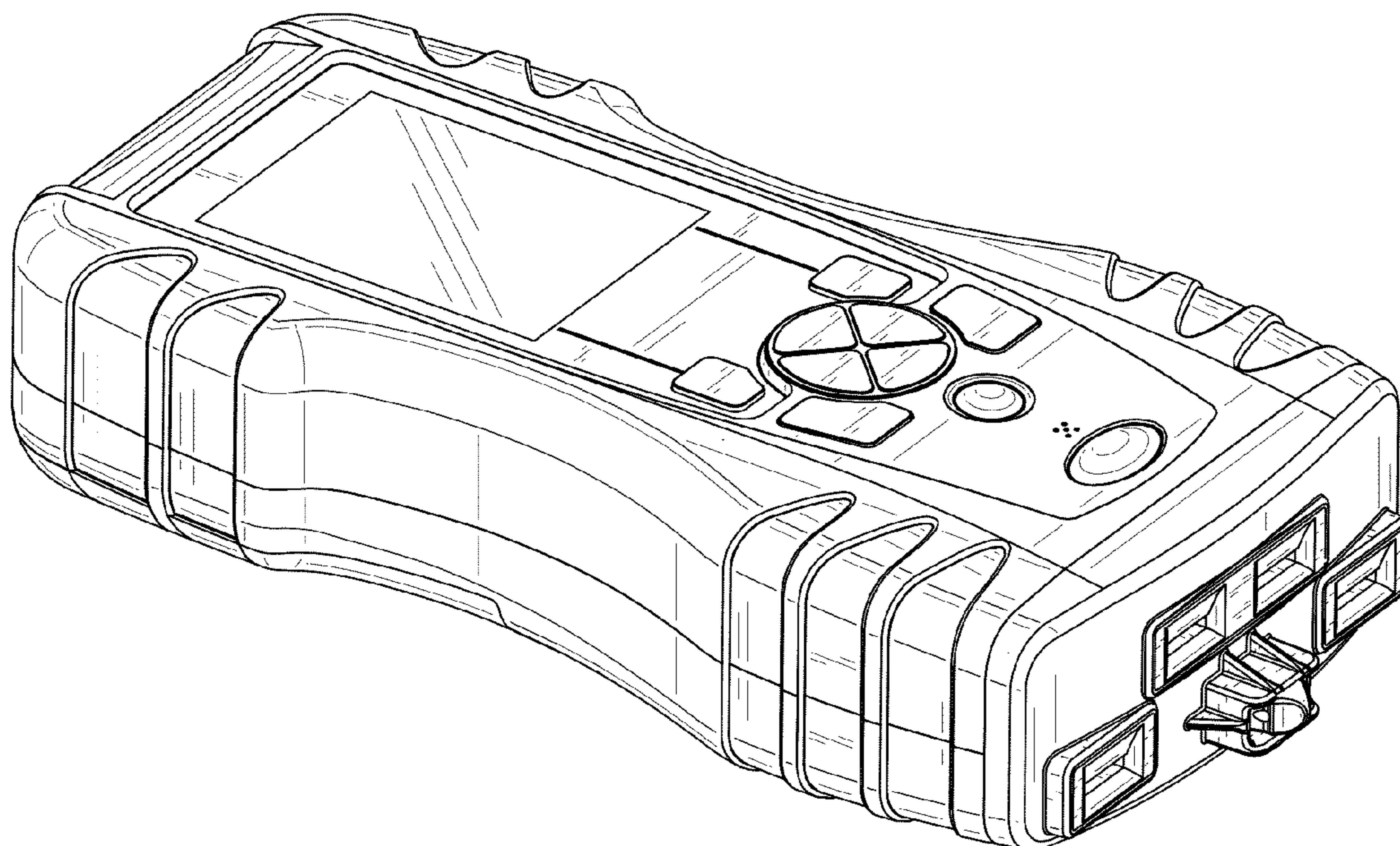
FIG. 5 is a right side view thereof.

FIG. 6 is a front view thereof; and,

FIG. 7 is a back view thereof.

The broken line showing of structural features is included for the purpose of illustrating non-claimed subject and forms no part of the claimed design.

**1 Claim, 5 Drawing Sheets**



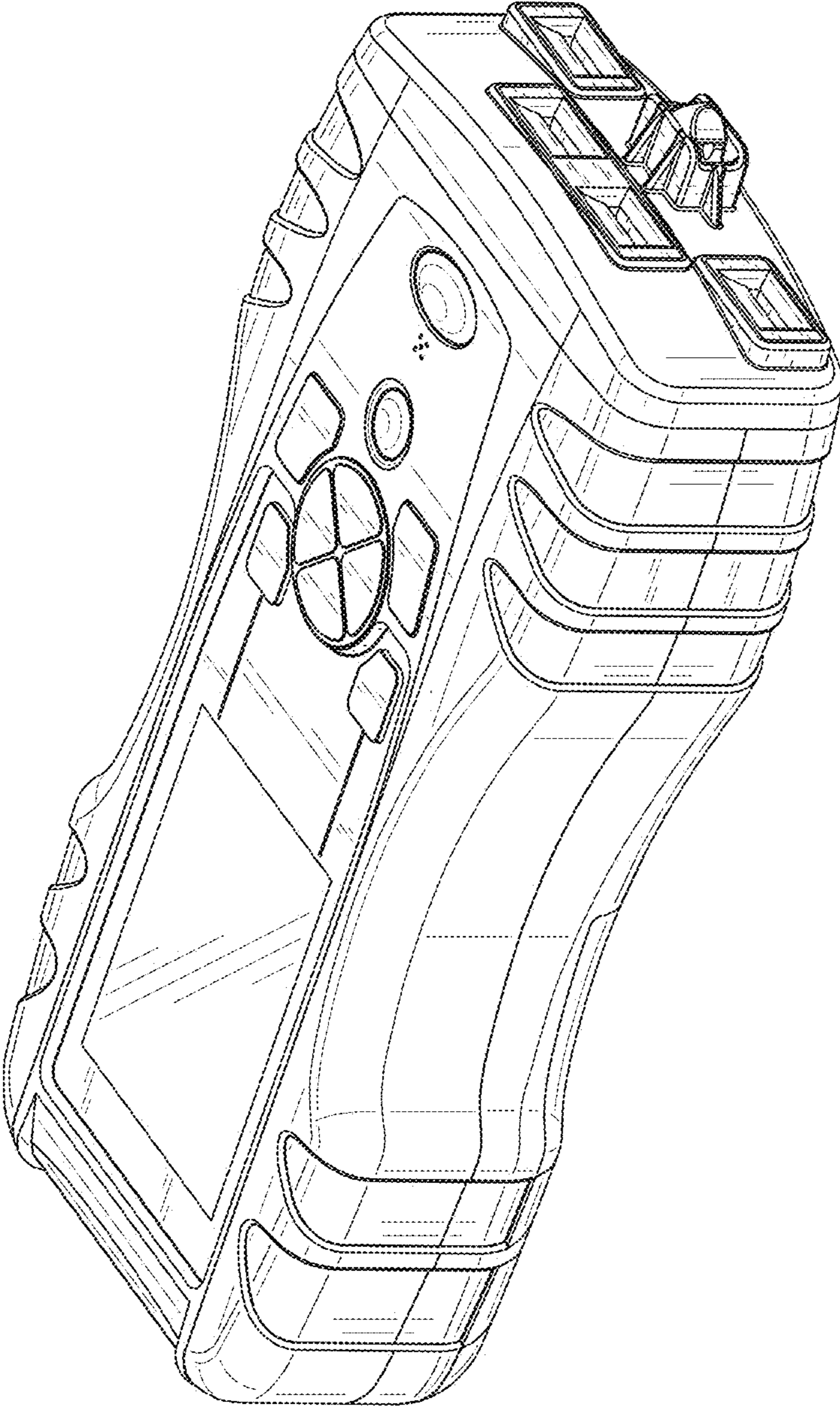


FIG. 1

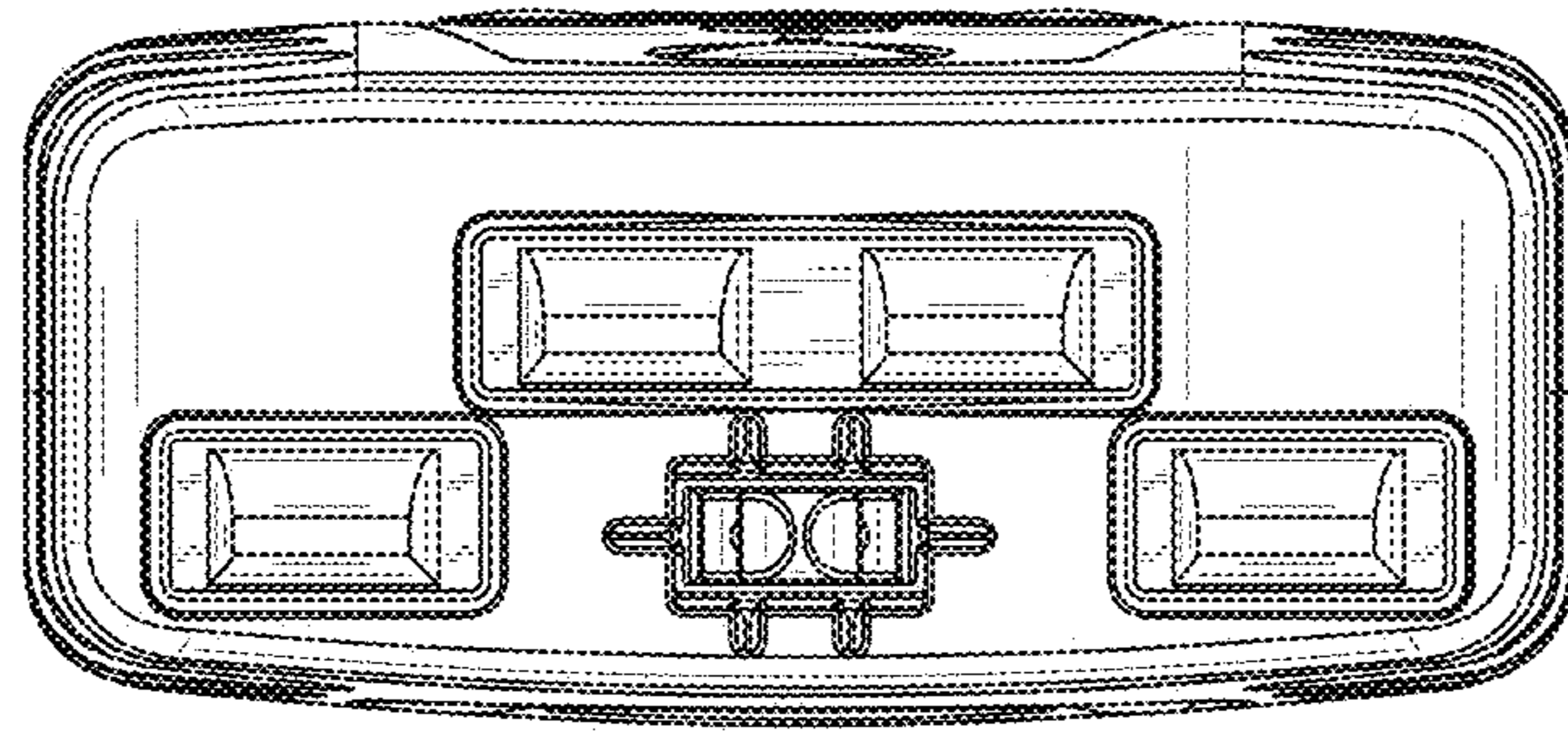


FIG. 2

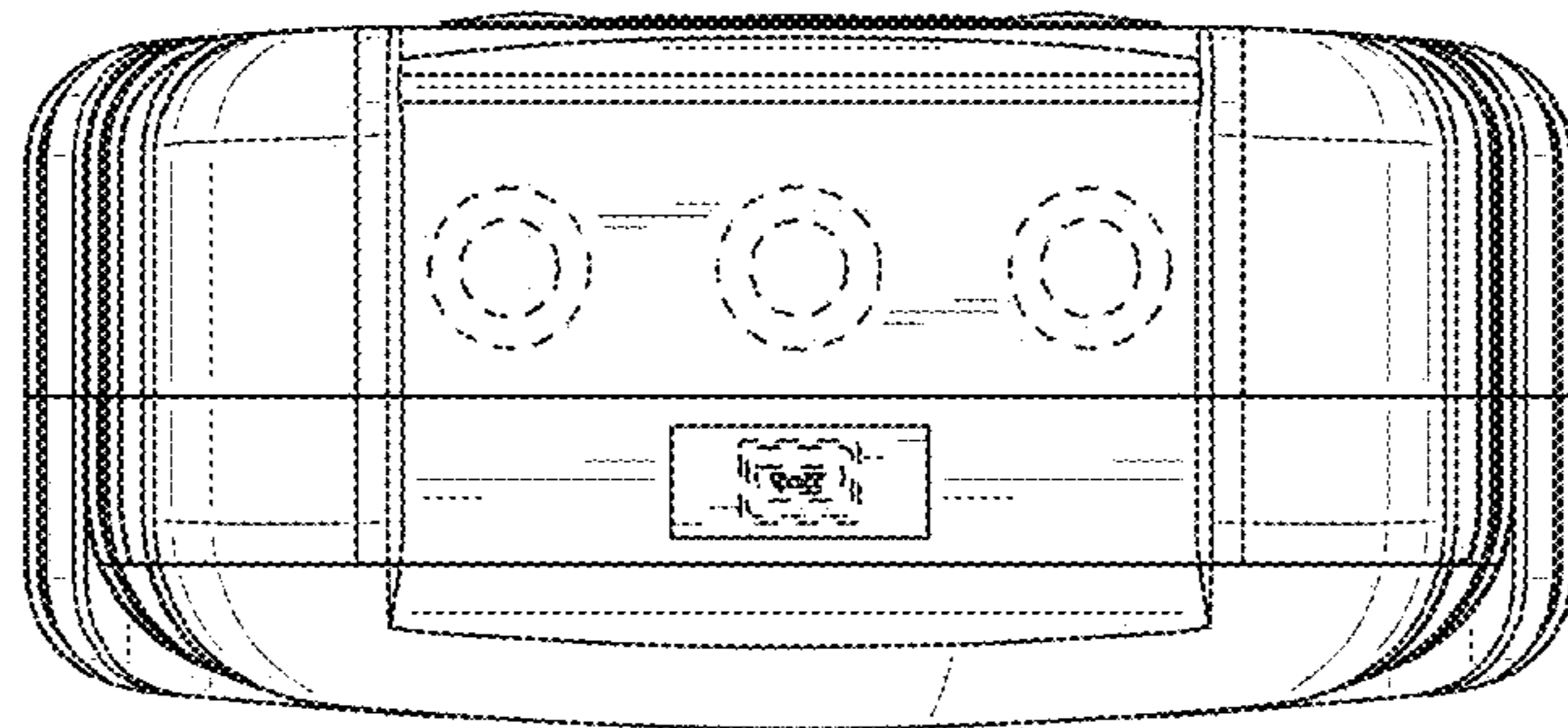


FIG. 3

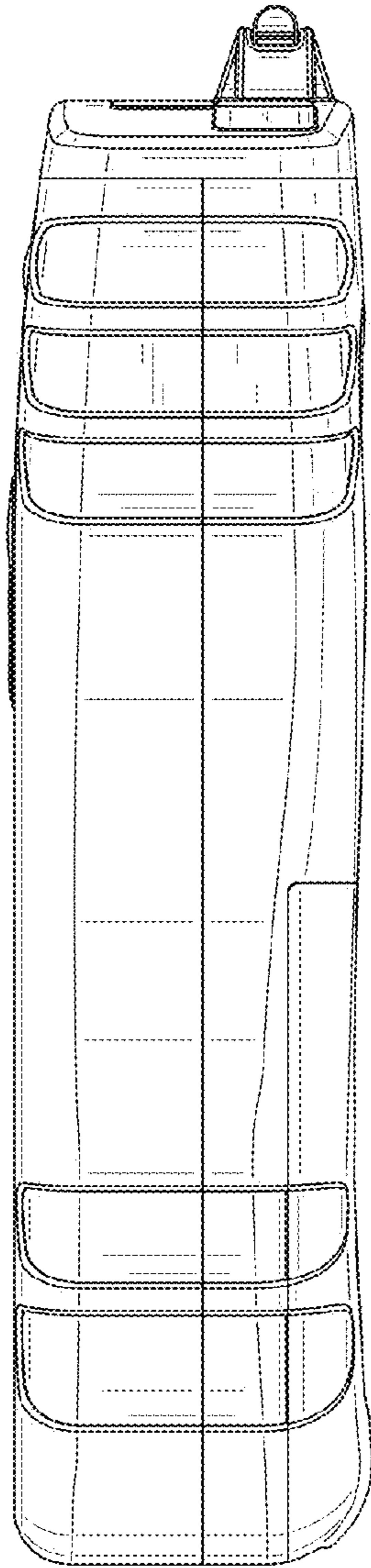


FIG. 4

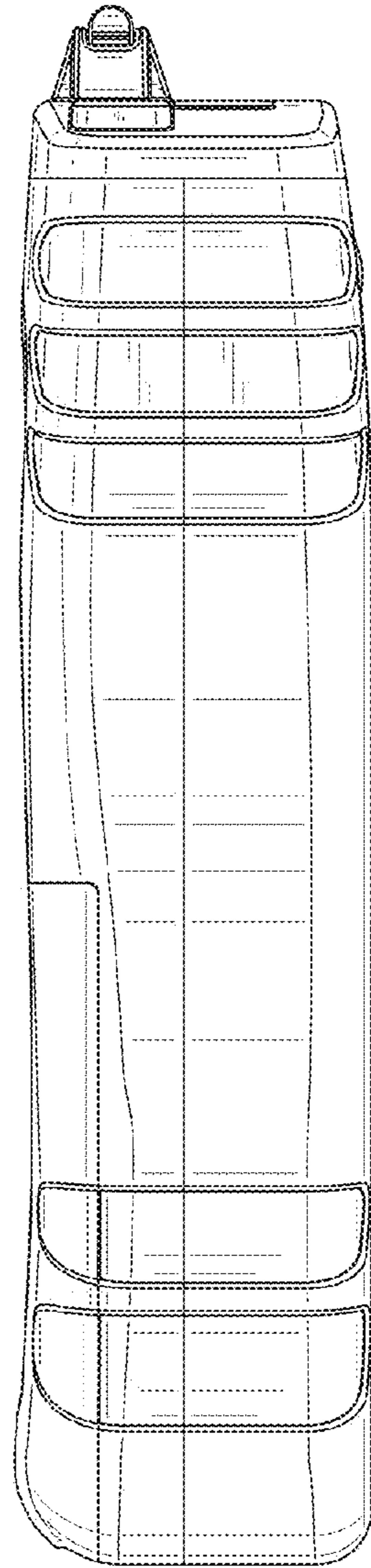


FIG. 5

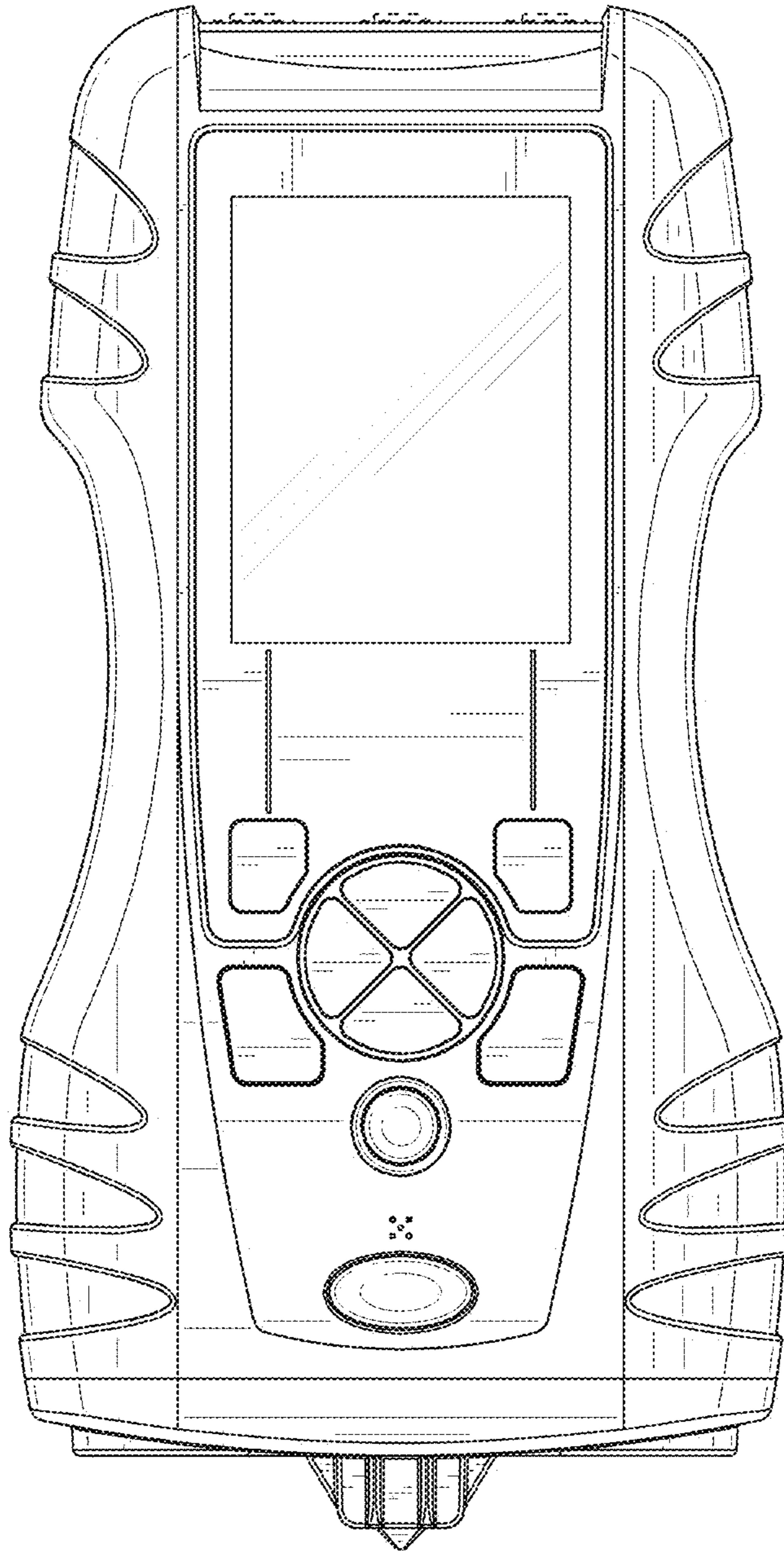


FIG. 6

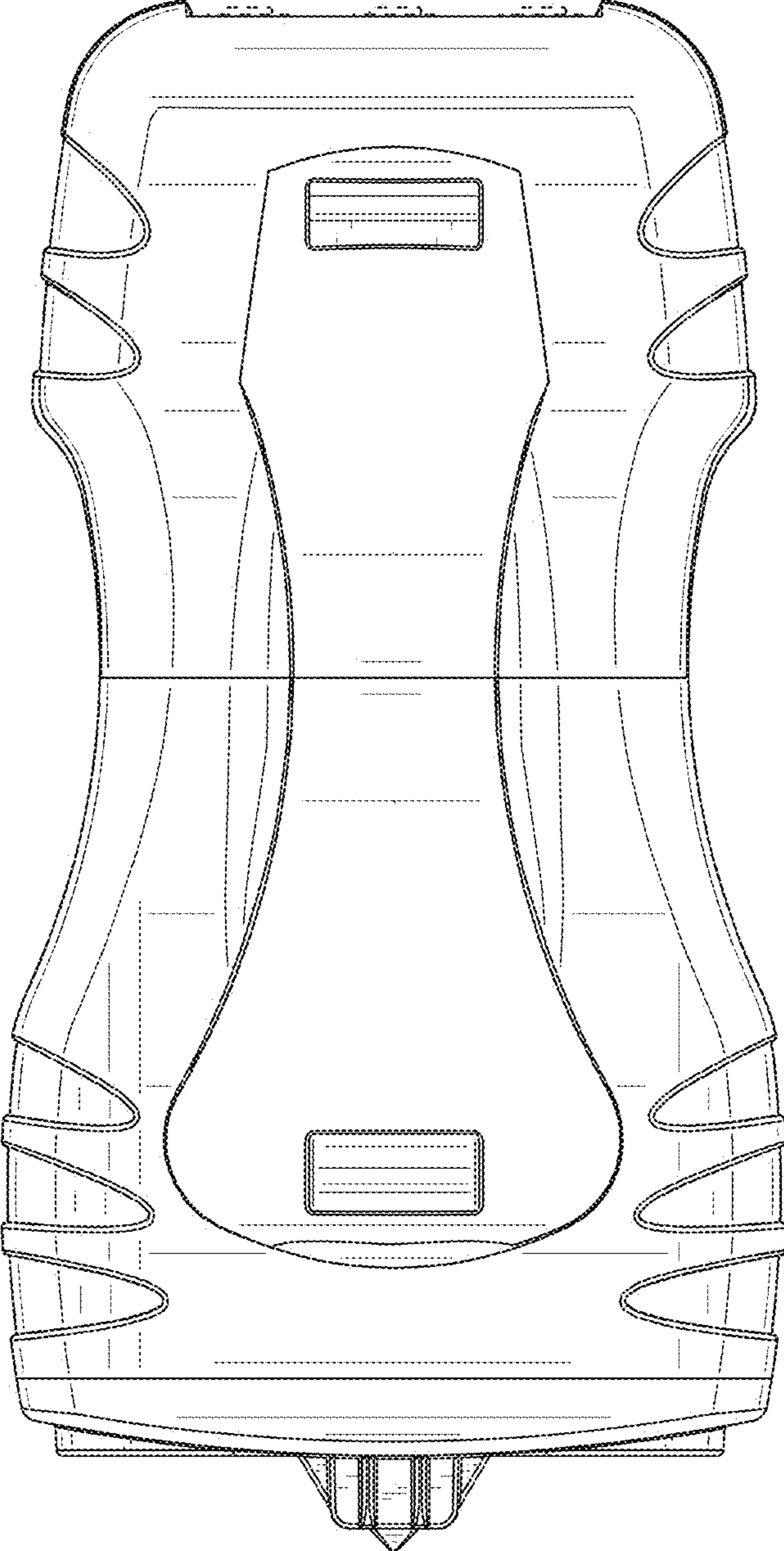


FIG. 7