



US00D699133S

(12) **United States Design Patent**
Lamoreux

(10) **Patent No.:** **US D699,133 S**
(45) **Date of Patent:** **** Feb. 11, 2014**

(54) **VOLTAGE DETECTOR**

(75) Inventor: **Zachary Lamoreux**, Lanark, IL (US)

(73) Assignee: **Textron Innovations Inc.**, Providence, RI (US)

(**) Term: **14 Years**

(21) Appl. No.: **29/430,438**

(22) Filed: **Aug. 24, 2012**

(51) **LOC (10) Cl.** **10-04**

(52) **U.S. Cl.**

USPC **D10/78**

(58) **Field of Classification Search**

USPC D10/78; 324/555, 66, 72, 754, 114,
324/115, 141, 145, 156, 508, 72.5, 556,
324/133, 149, 503, 543; 340/635, 687, 654;
379/21; 73/866.5

See application file for complete search history.

(56) **References Cited**

U.S. PATENT DOCUMENTS

D355,861	S *	2/1995	Walsh	D10/78
5,703,928	A	12/1997	Galloway et al.		
5,877,618	A	3/1999	Luebke et al.		
D409,929	S *	5/1999	Fisher et al.	D10/78
5,952,820	A *	9/1999	Thrasher et al.	324/119
6,452,966	B1 *	9/2002	Kaiser et al.	375/228
6,512,361	B1 *	1/2003	Becker	324/133
7,336,063	B1	2/2008	Bierer		
D571,240	S *	6/2008	Chun	D10/78
7,510,412	B1	3/2009	Valentin		
7,733,078	B2	6/2010	Duke		
D625,211	S *	10/2010	Chun	D10/78
D637,926	S *	5/2011	Chun	D10/78
7,948,227	B2 *	5/2011	Beckmann	324/72.5

D642,943	S *	8/2011	Laurino et al.	D10/78
D661,605	S *	6/2012	Laurino et al.	D10/78
2010/0254149	A1 *	10/2010	Gill	362/373

FOREIGN PATENT DOCUMENTS

CA 2607922 2/2009

OTHER PUBLICATIONS

toolup.com, Greenlee GT-12 Non-Contact Self-Testing Voltage Detector, one page, www.toolup.com/greelee_gt-12_non-contact-self-testing-voltage-detector.aspx.

Greelee, a Textron Company, Detector, Voltage Non-Contact (GT-12), (5 pages), www.greenlee.com/products/DETECTOR%2540cVOLTAGE-NON%2540dCONT...

Hubbell Wiring Systems, It's all about Safety, Hubbell Safe, homeSELECT, www.homeselect.net (4 pages).

* cited by examiner

Primary Examiner — Antoine D Davis

(74) *Attorney, Agent, or Firm* — Klintworth & Rozenblat IP LLC

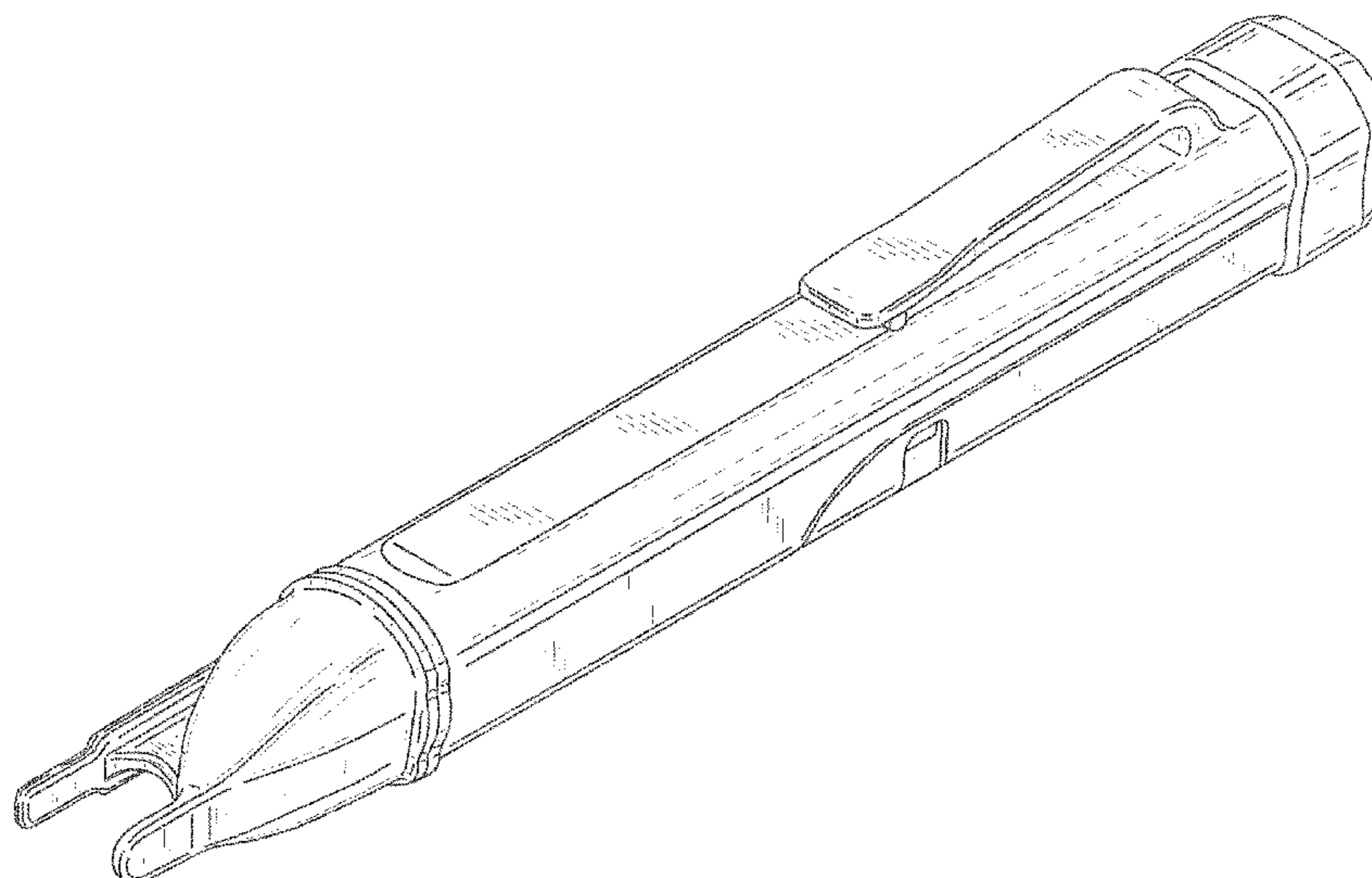
(57) **CLAIM**

The ornamental design for a voltage detector, as shown and described.

DESCRIPTION

FIG. 1 is a perspective view of the voltage detector;
FIG. 2 is a left side elevational of the voltage detector;
FIG. 3 is a right side elevational of the voltage detector;
FIG. 4 is a top plan view of the voltage detector;
FIG. 5 is a bottom plan view of the voltage detector;
FIG. 6 is a front elevational view of the voltage detector; and,
FIG. 7 is a rear elevational view of the voltage detector.

1 Claim, 4 Drawing Sheets



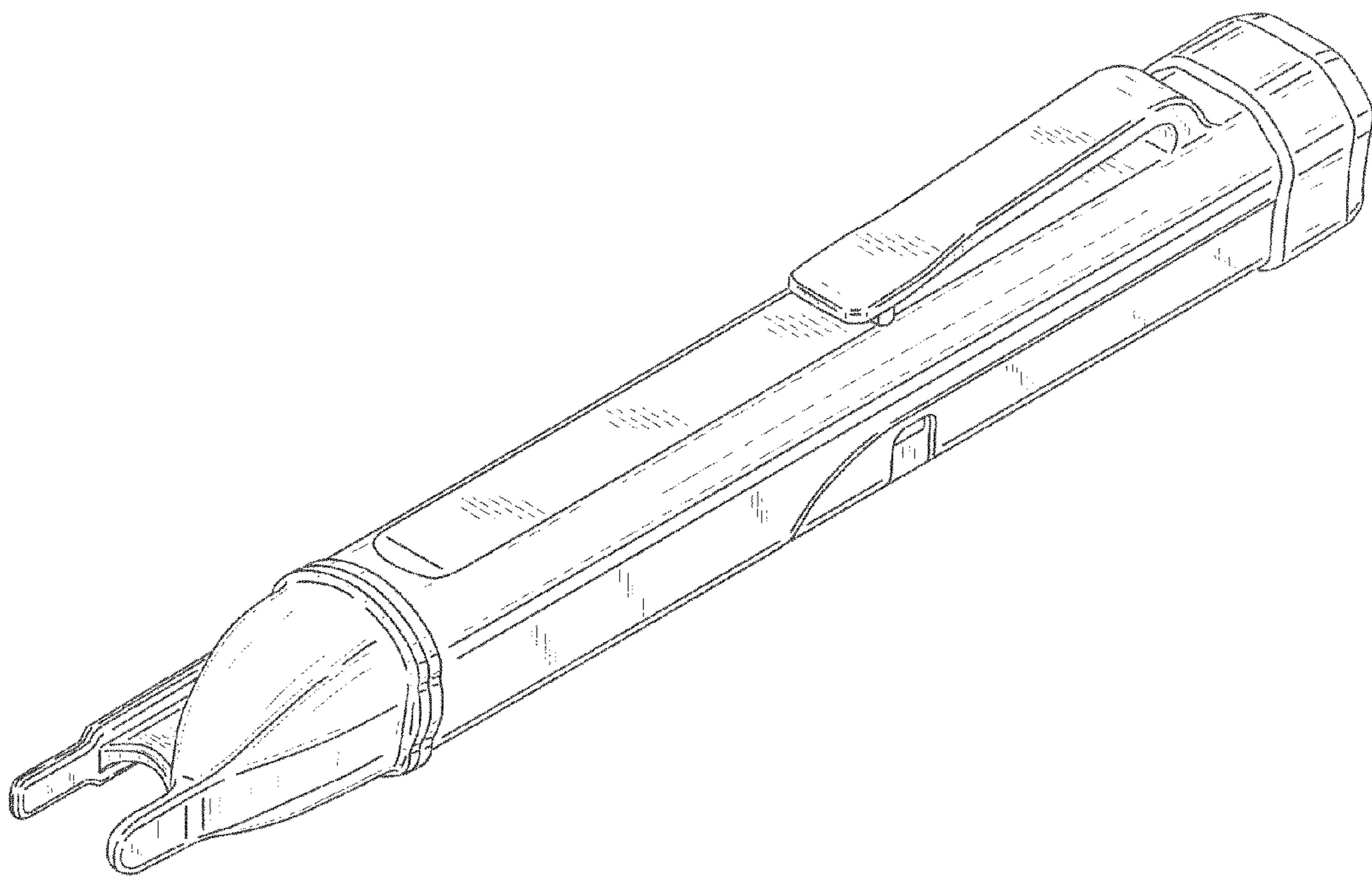


FIG. 1

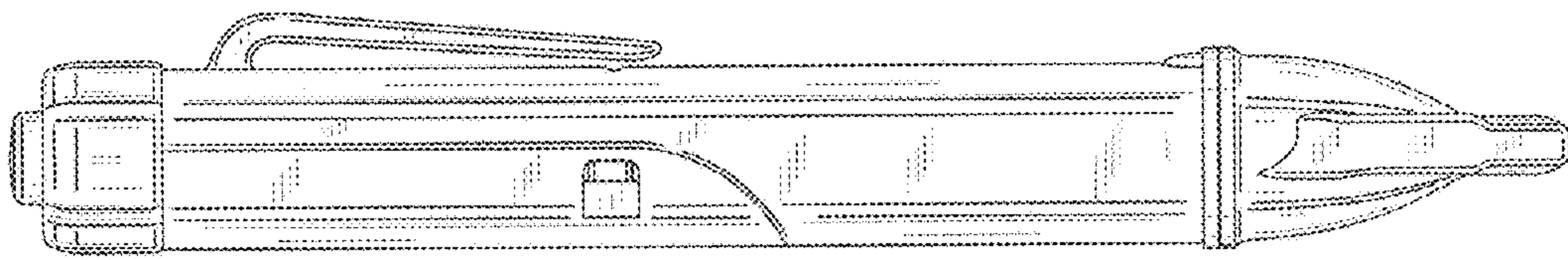


FIG. 2

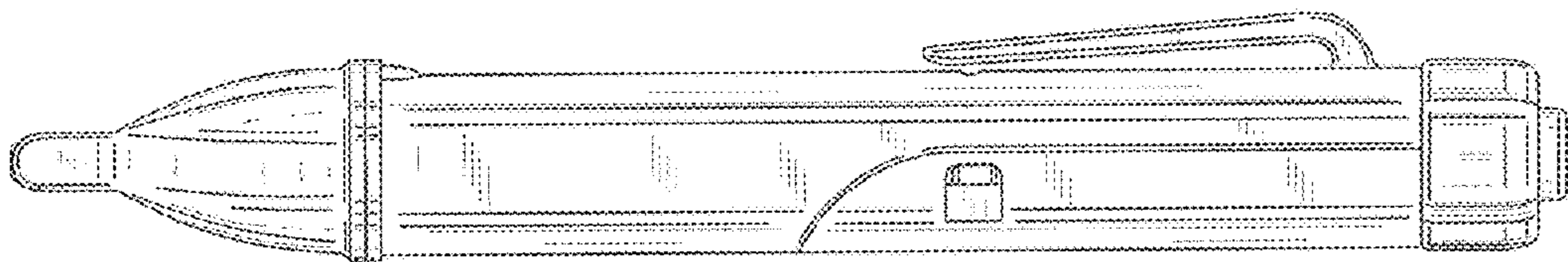


FIG. 3

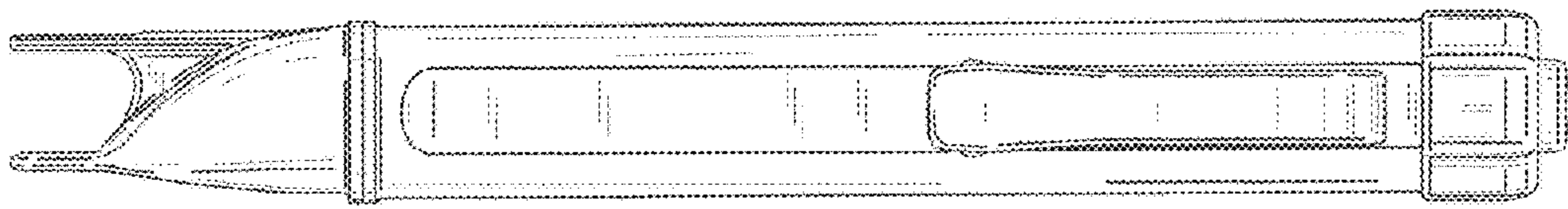


FIG. 4

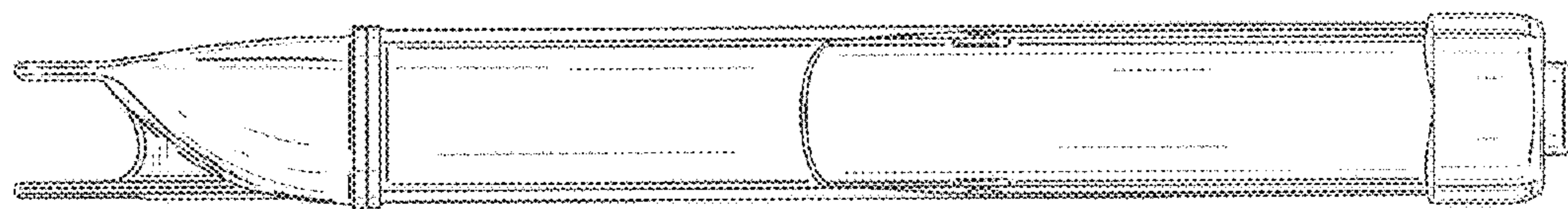


FIG. 5

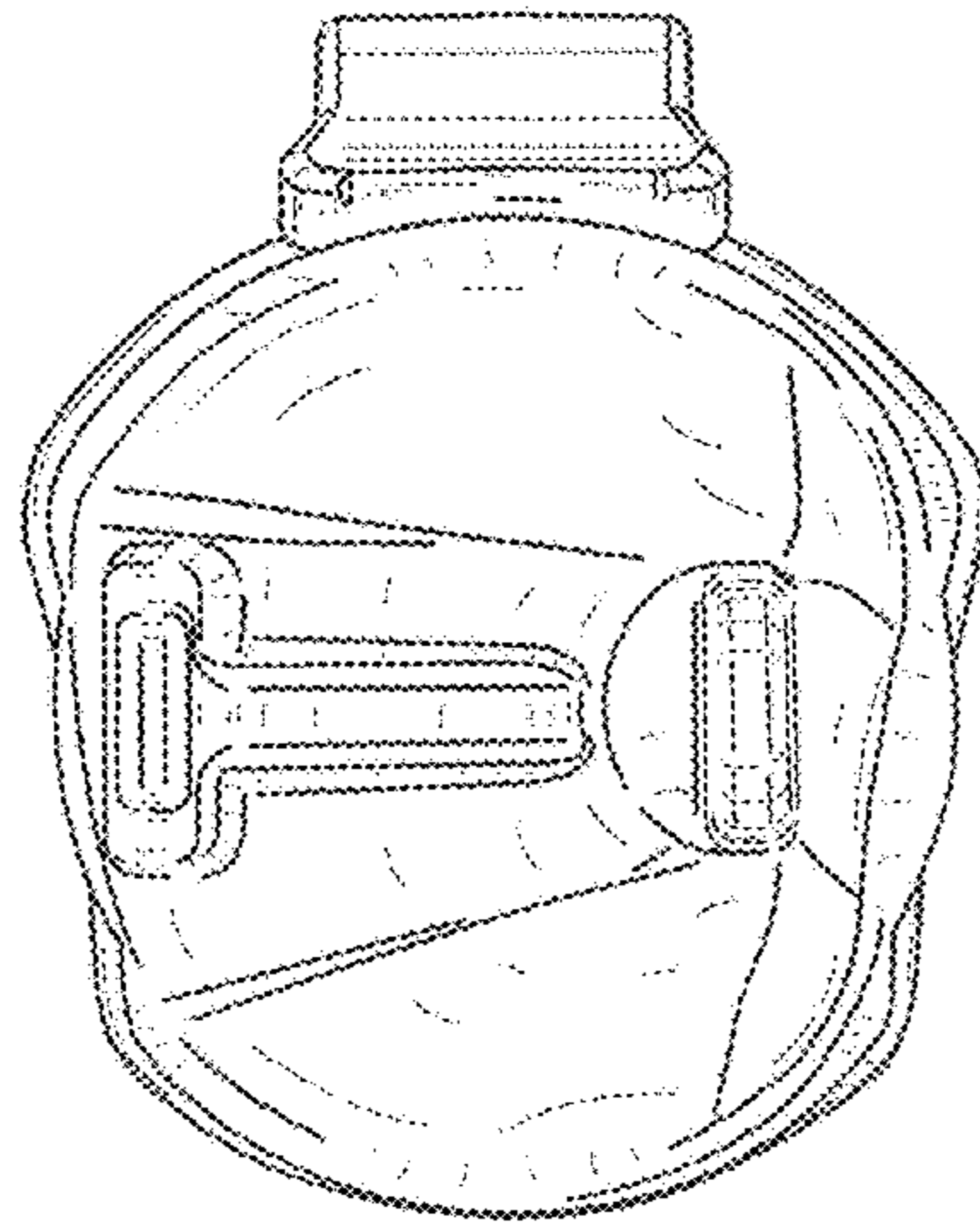


FIG. 6

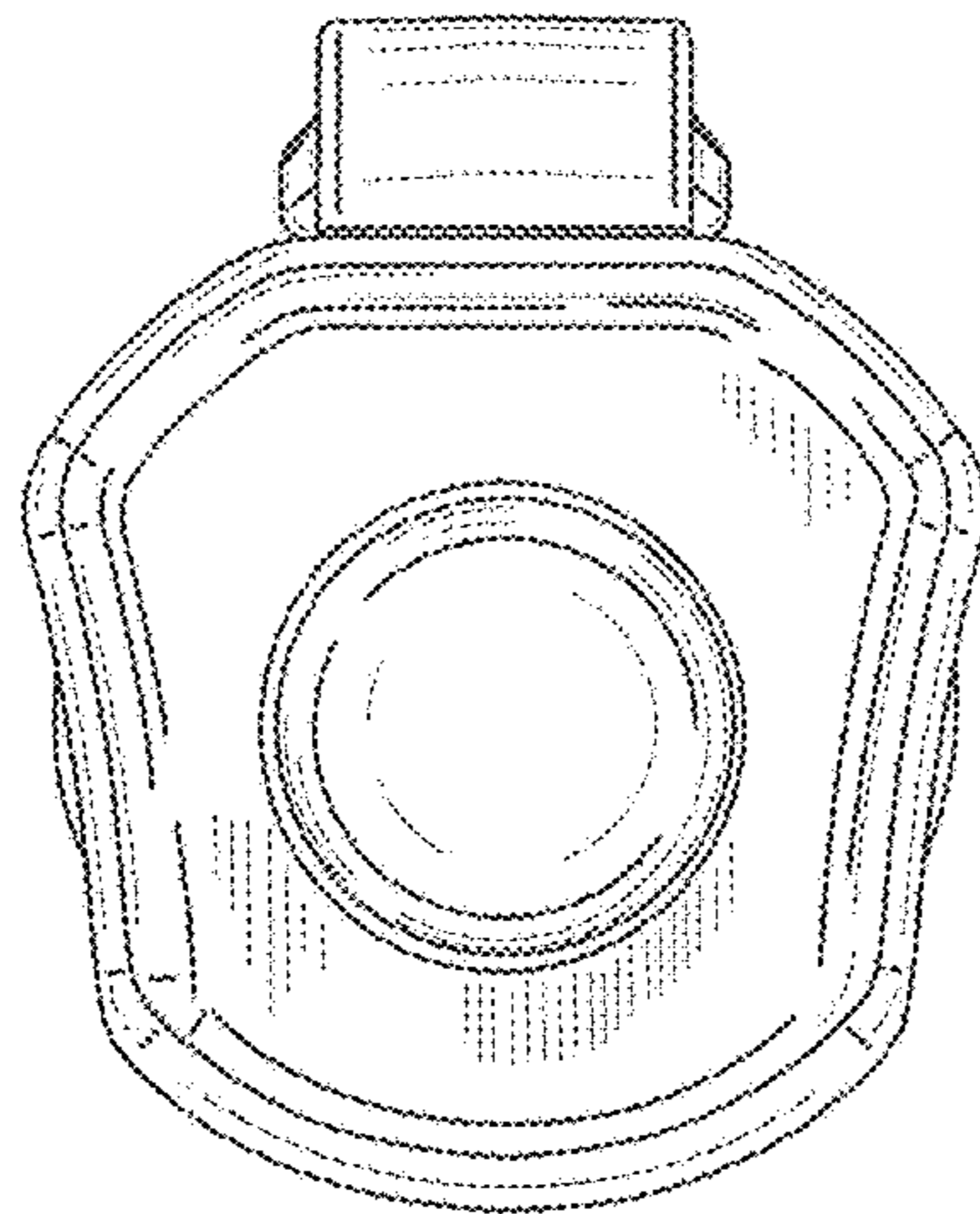


FIG. 7