

US00D699128S

(12) **United States Design Patent**
Moynihan

(10) **Patent No.:** **US D699,128 S**

(45) **Date of Patent:** **** Feb. 11, 2014**

(54) **FLUID CONTAINER AND DISPENSER**

(71) Applicant: **Dave E. Moynihan**, Penfield, NY (US)

(72) Inventor: **Dave E. Moynihan**, Penfield, NY (US)

(**) Term: **14 Years**

(21) Appl. No.: **29/444,580**

(22) Filed: **Jan. 31, 2013**

(51) **LOC (10) Cl.** **09-05**

(52) **U.S. Cl.**
USPC **D9/707**

(58) **Field of Classification Search**
USPC D9/702-714, 429-432, 447, 720;
383/80, 42, 906, 903, 901, 93,
383/122-126, 121.1, 103, 96, 200; D7/213,
D7/601-602; 222/92, 81, 104-105, 107,
222/541.5, 529; 215/316; 493/52; D24/207,
D24/118, 129; D3/202
See application file for complete search history.

(56) **References Cited**

U.S. PATENT DOCUMENTS

D213,479 S * 3/1969 Cole D24/118
D237,018 S * 9/1975 Betka D24/118

D243,121 S * 1/1977 Ralston et al. D24/118
D271,805 S * 12/1983 Larkin et al. D24/118
D272,762 S * 2/1984 Tanner, II D24/118
5,307,955 A * 5/1994 Viegas 222/107
D478,504 S * 8/2003 Crozet et al. D9/708
D512,648 S * 12/2005 Smith et al. D9/702
D582,788 S * 12/2008 Smith D9/708
D680,446 S * 4/2013 Moynihan D9/709
D680,880 S * 4/2013 Johnson et al. D9/709

* cited by examiner

Primary Examiner — Caron D Veynar

Assistant Examiner — Abraham Bahta

(74) *Attorney, Agent, or Firm* — Theodore J. Bielen, Jr.

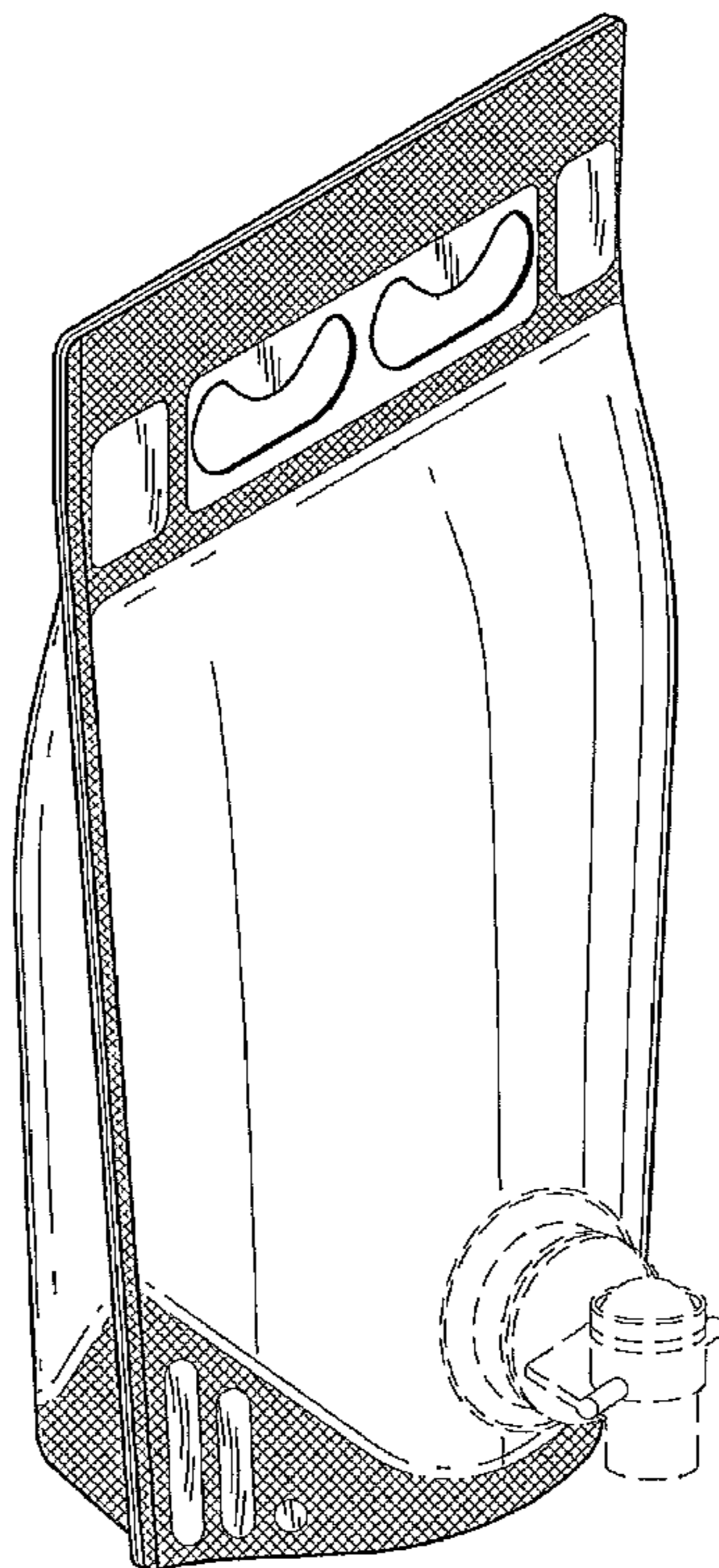
(57) **CLAIM**

The ornamental design for a fluid container and dispenser, as shown and described.

DESCRIPTION

FIG. 1 is a top, left perspective view of the fluid container and dispenser showing my new design;
FIG. 2 is a front elevational view;
FIG. 3 is a rear elevational view;
FIG. 4 is a top plan view;
FIG. 5 is a left side elevational view, the right side elevational view being a mirror image thereof; and,
FIG. 6 is a bottom plan view thereof.

1 Claim, 6 Drawing Sheets



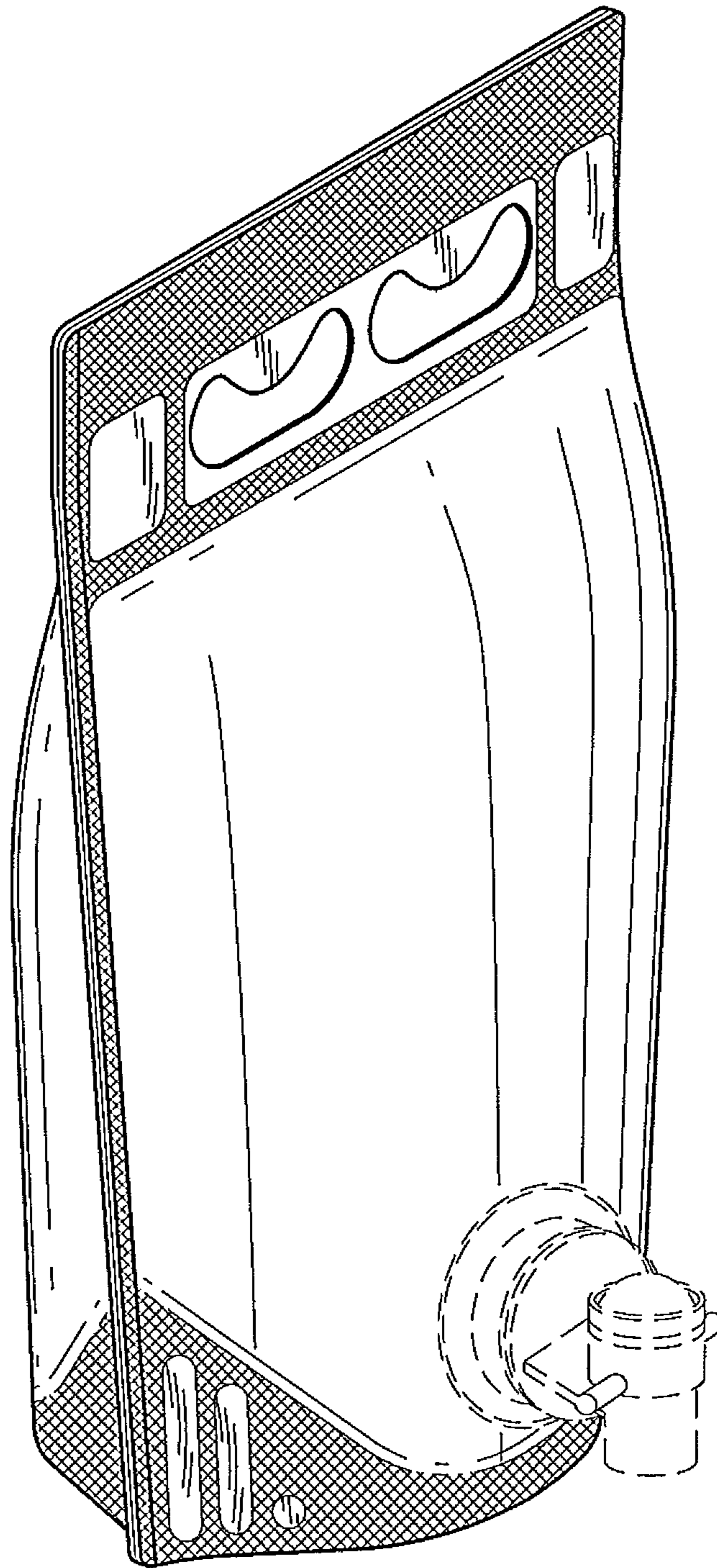


FIG. 1

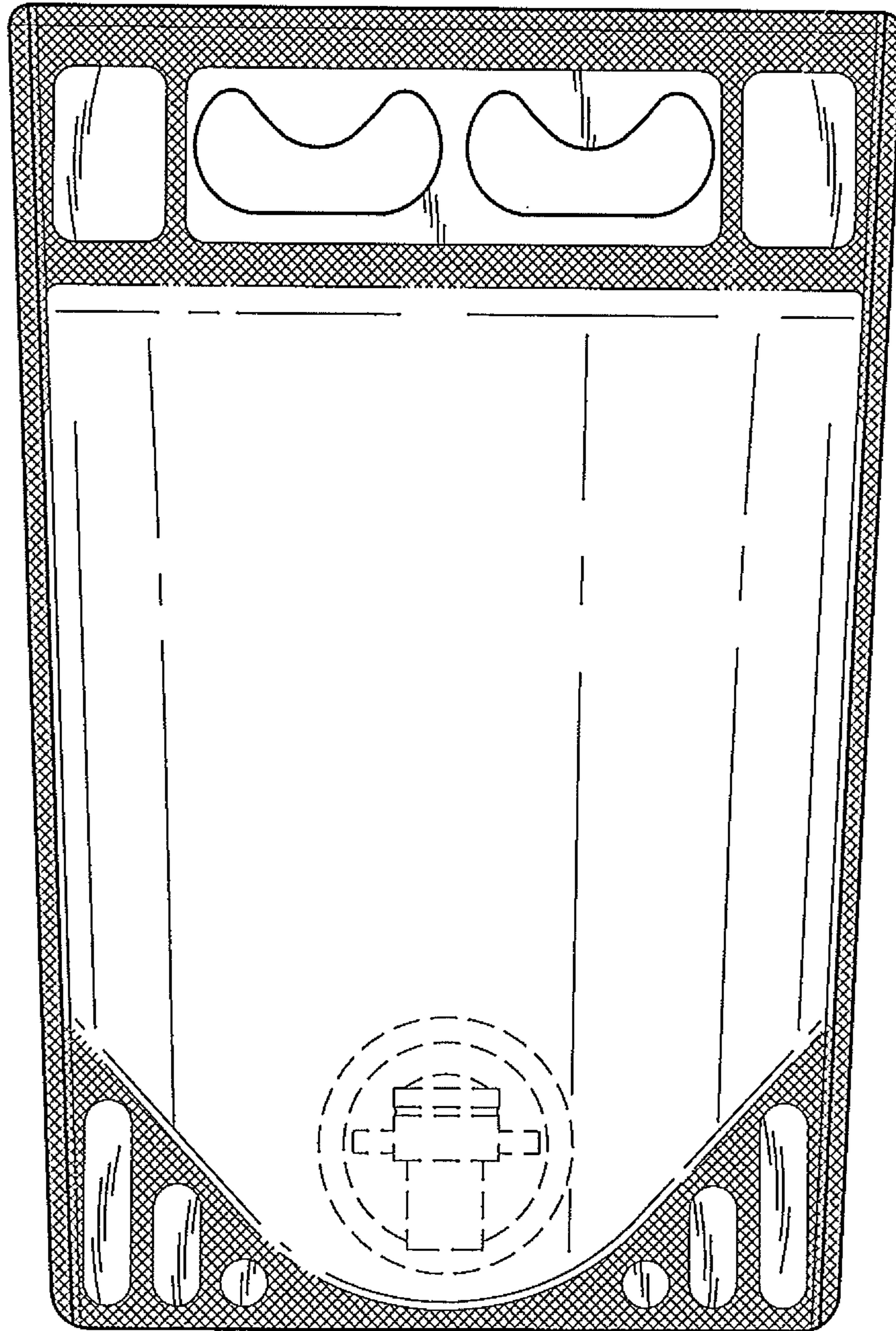


FIG. 2

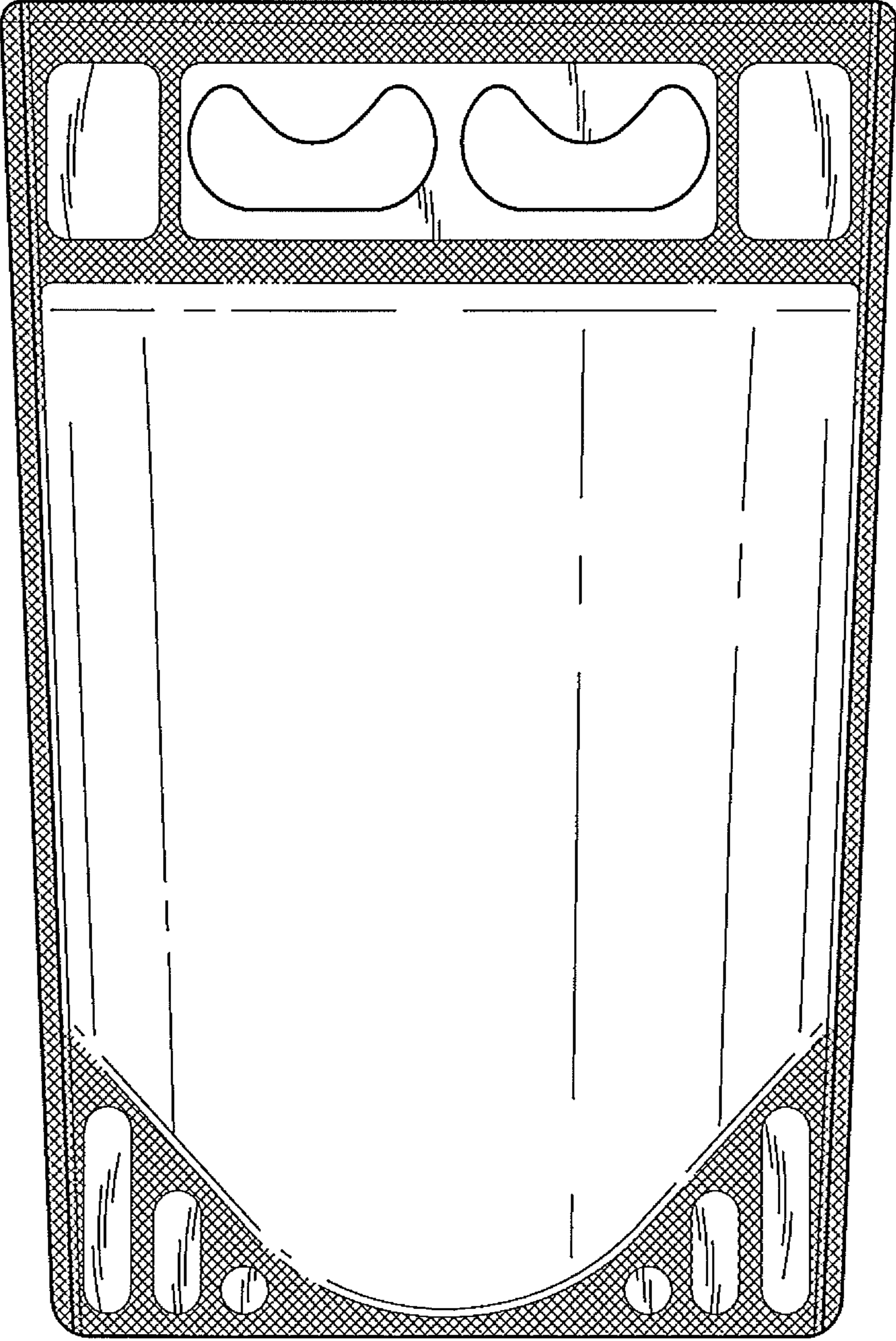


FIG. 3

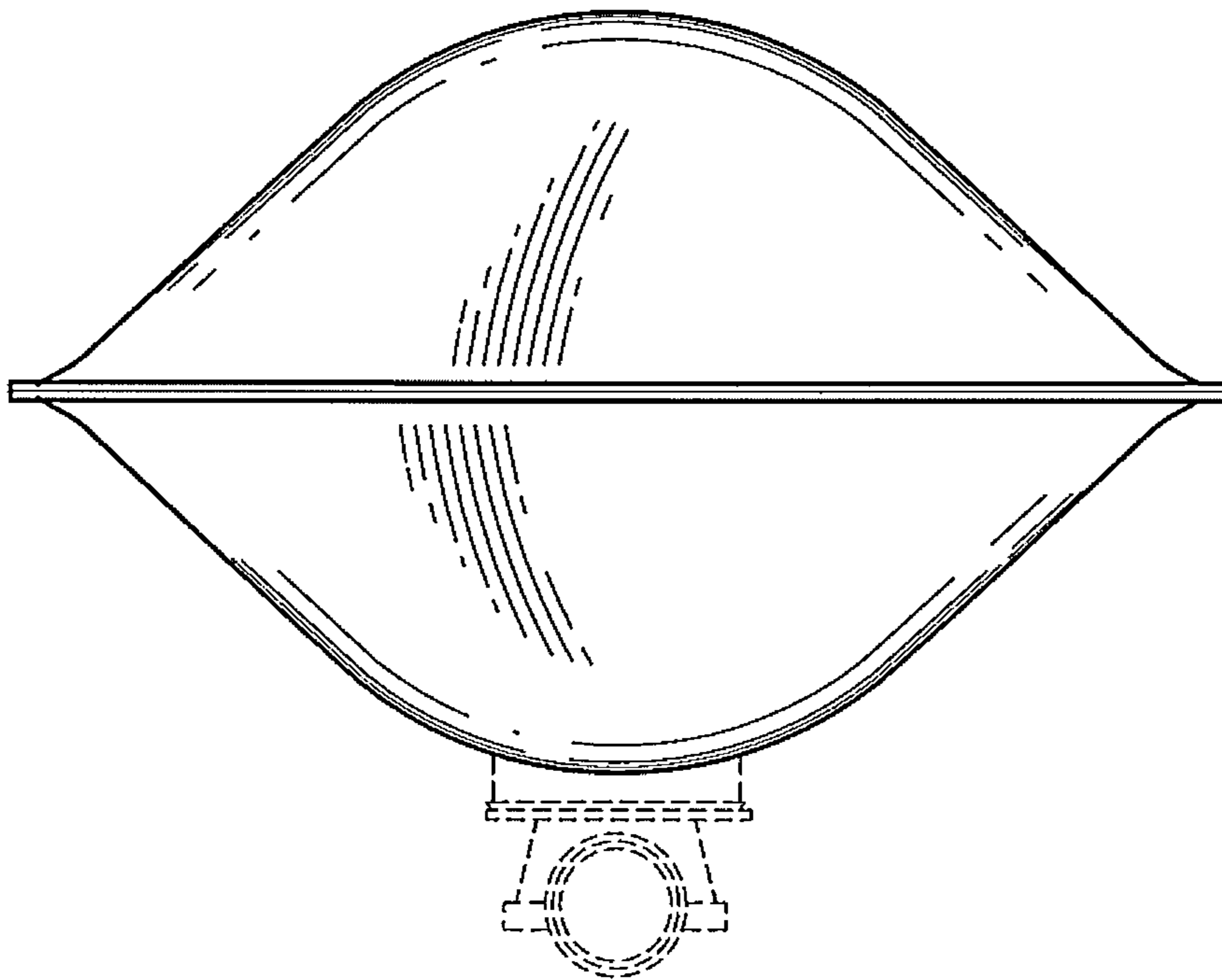


FIG. 4

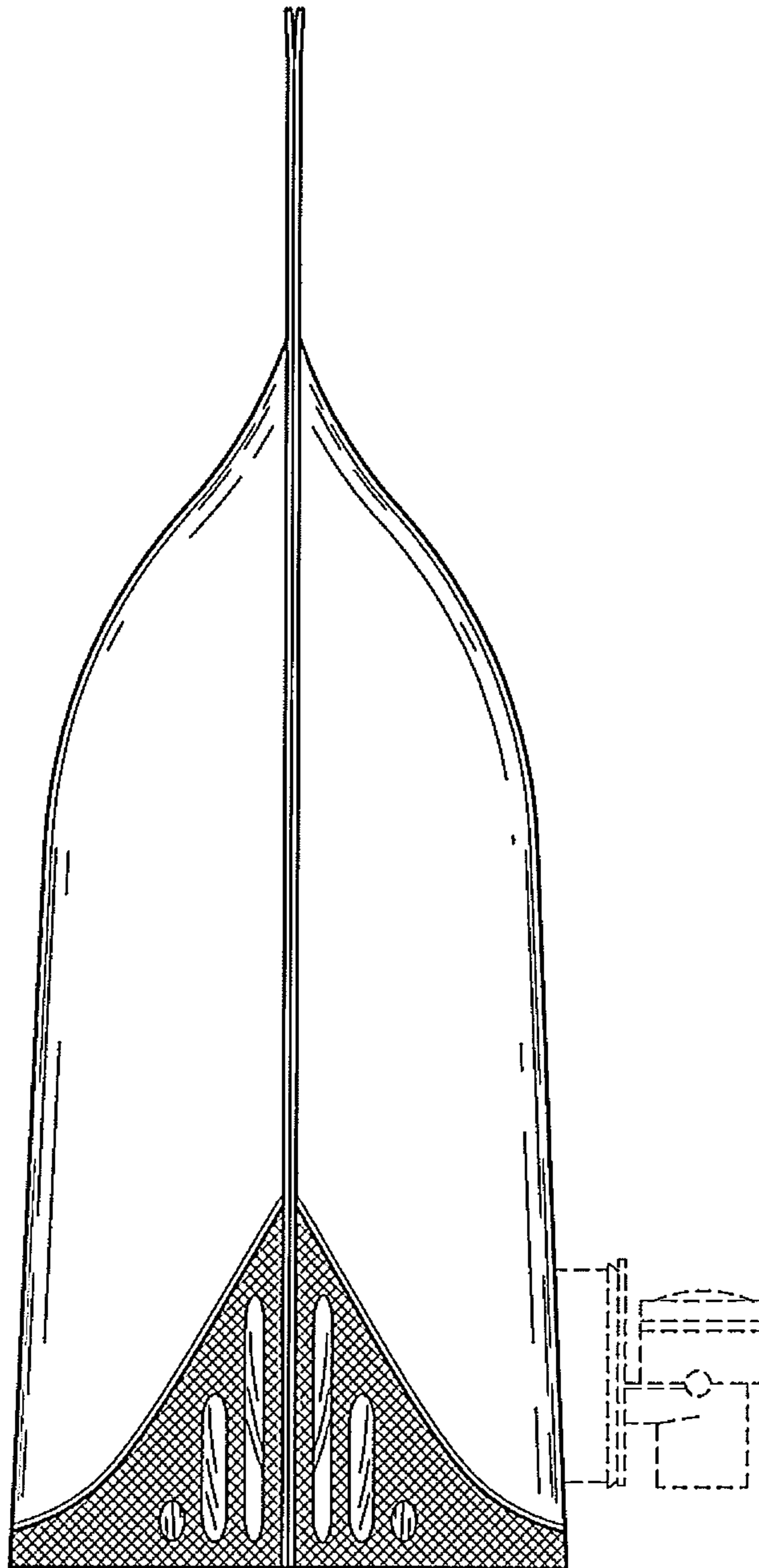


FIG. 5

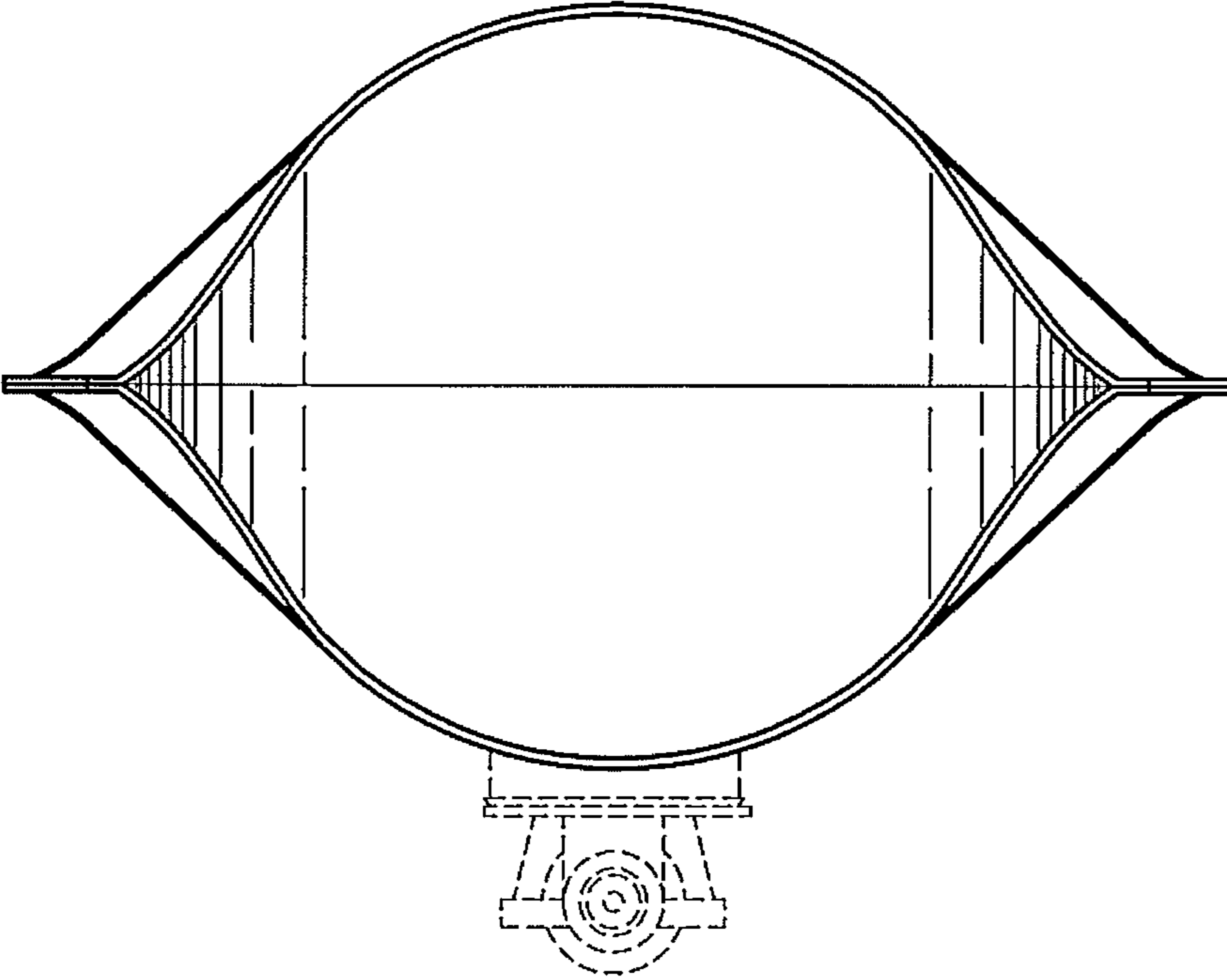


FIG. 6