



US00D699126S

(12) **United States Design Patent**
Wang

(10) **Patent No.:** **US D699,126 S**
(45) **Date of Patent:** **** Feb. 11, 2014**

(54) **RECYCLING BAG**

(71) Applicant: **Wen-Tsan Wang**, Taipei (TW)

(72) Inventor: **Wen-Tsan Wang**, Taipei (TW)

(**) Term: **14 Years**

(21) Appl. No.: **29/450,833**

(22) Filed: **Mar. 25, 2013**

(51) **LOC (10) Cl.** **09-05**

(52) **U.S. Cl.**
USPC **D9/705**

(58) **Field of Classification Search**
USPC D9/702-714, 720-722, 435, 415-416,
D9/430-433; 383/104, 120-121, 107, 114,
383/61.1, 61.2, 42, 121.1, 89; 229/200,
229/201, 125.15, 213, 193, 923,
229/87.01-87.09, 87.11-87.19; 222/107;
D3/303, 273, 232, 203.1, 276, 905;
426/106; 206/541, 223, 466, 0.82, 484;
220/495.03, 521-529, 909, 908.1,
220/4.06, 4.07, 4.09; 53/459; 428/35.2;
D24/118, 207; D7/629, 709;
248/97-99

See application file for complete search history.

(56) **References Cited**

U.S. PATENT DOCUMENTS

D309,257 S * 7/1990 Myers D9/706
D319,904 S * 9/1991 Cozzi et al. D34/1

5,303,841 A * 4/1994 Mezey 220/555
5,624,050 A * 4/1997 Haas 220/4.05
D487,538 S * 3/2004 Skalka D34/7
D544,369 S * 6/2007 Liu D9/704
D604,472 S * 11/2009 Blanks et al. D34/7
D653,962 S * 2/2012 Vazquez D9/711
D657,105 S * 4/2012 Martheenal D34/1
D673,370 S * 1/2013 Nash D3/310
8,342,461 B2 * 1/2013 Sutphen 248/97
8,408,791 B1 * 4/2013 Wang 383/99
D685,649 S * 7/2013 Banuelos D9/711

* cited by examiner

Primary Examiner — Caron D Veynar

Assistant Examiner — Abraham Bahta

(74) *Attorney, Agent, or Firm* — Leong C. Lei

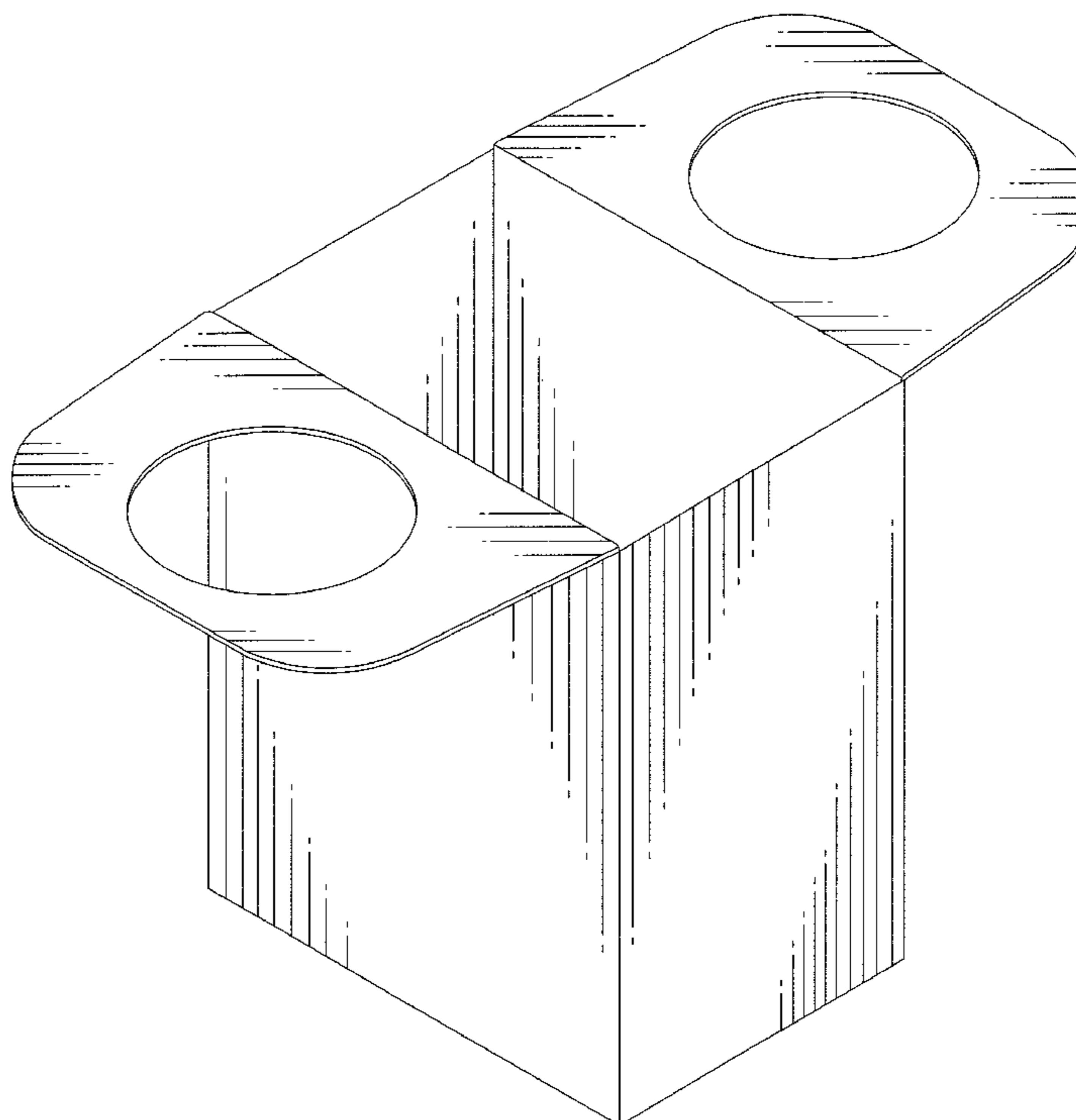
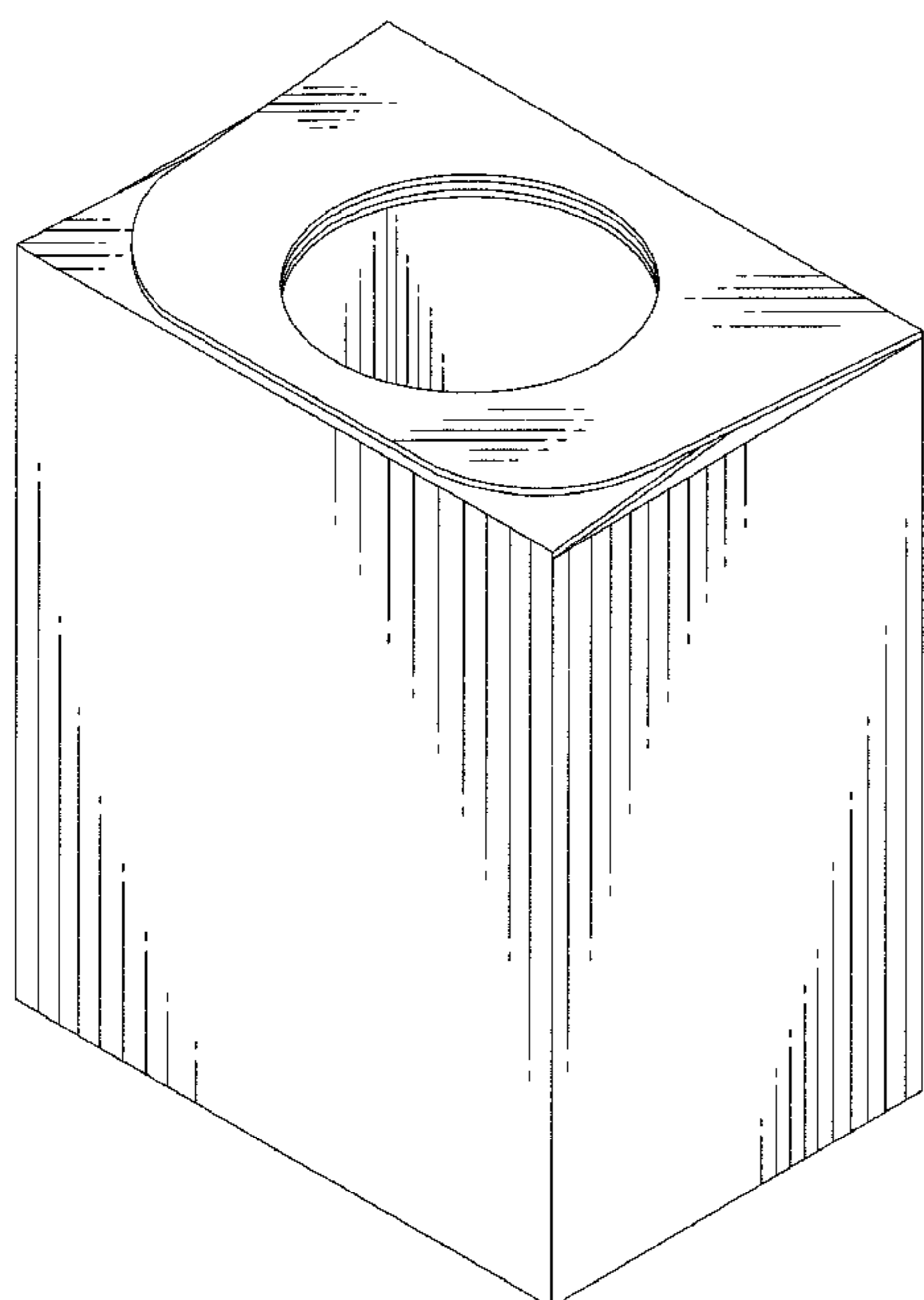
(57) **CLAIM**

The ornamental design for a recycling bag, as shown and described.

DESCRIPTION

FIG. 1 is a front perspective view of a recycling bag in a closed position showing my new design;
FIG. 2 is a front elevational view thereof;
FIG. 3 is a rear elevational view thereof;
FIG. 4 is a left elevational view thereof;
FIG. 5 is a right elevational view thereof;
FIG. 6 is a top plan view thereof;
FIG. 7 is a bottom plan thereof; and,
FIG. 8 is another perspective view thereof, showing the bag opened.

1 Claim, 7 Drawing Sheets



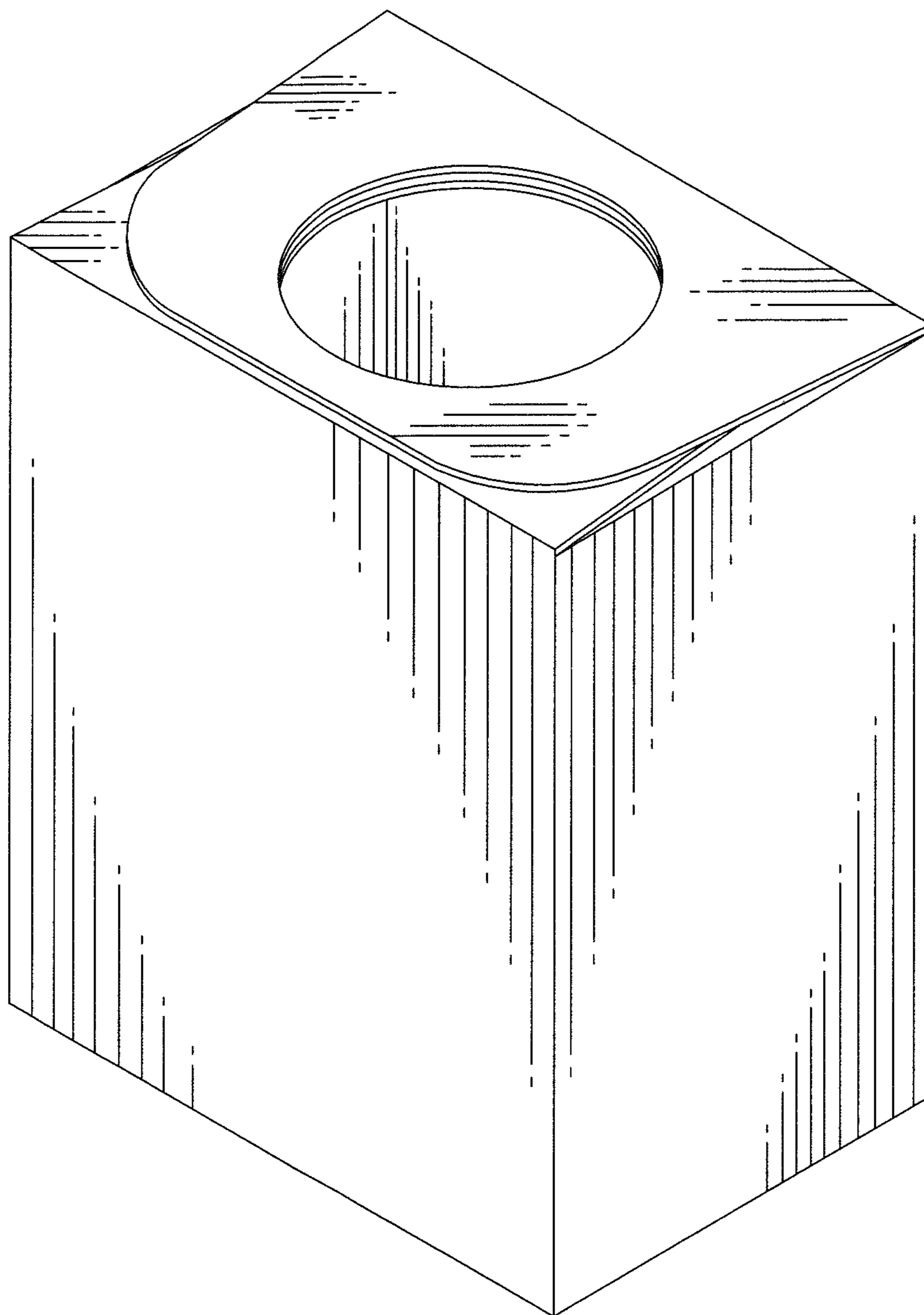


FIG. 1

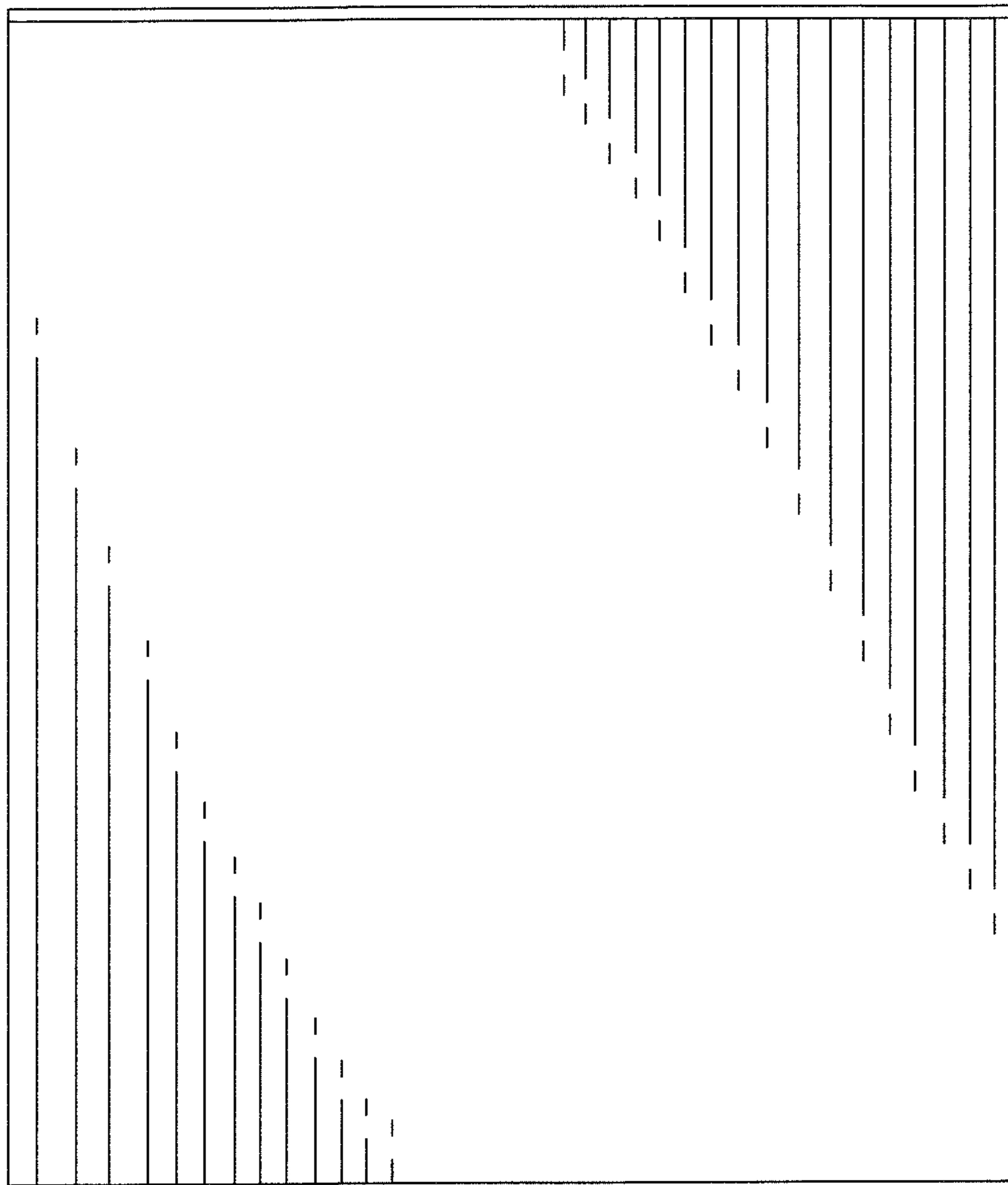


FIG. 2

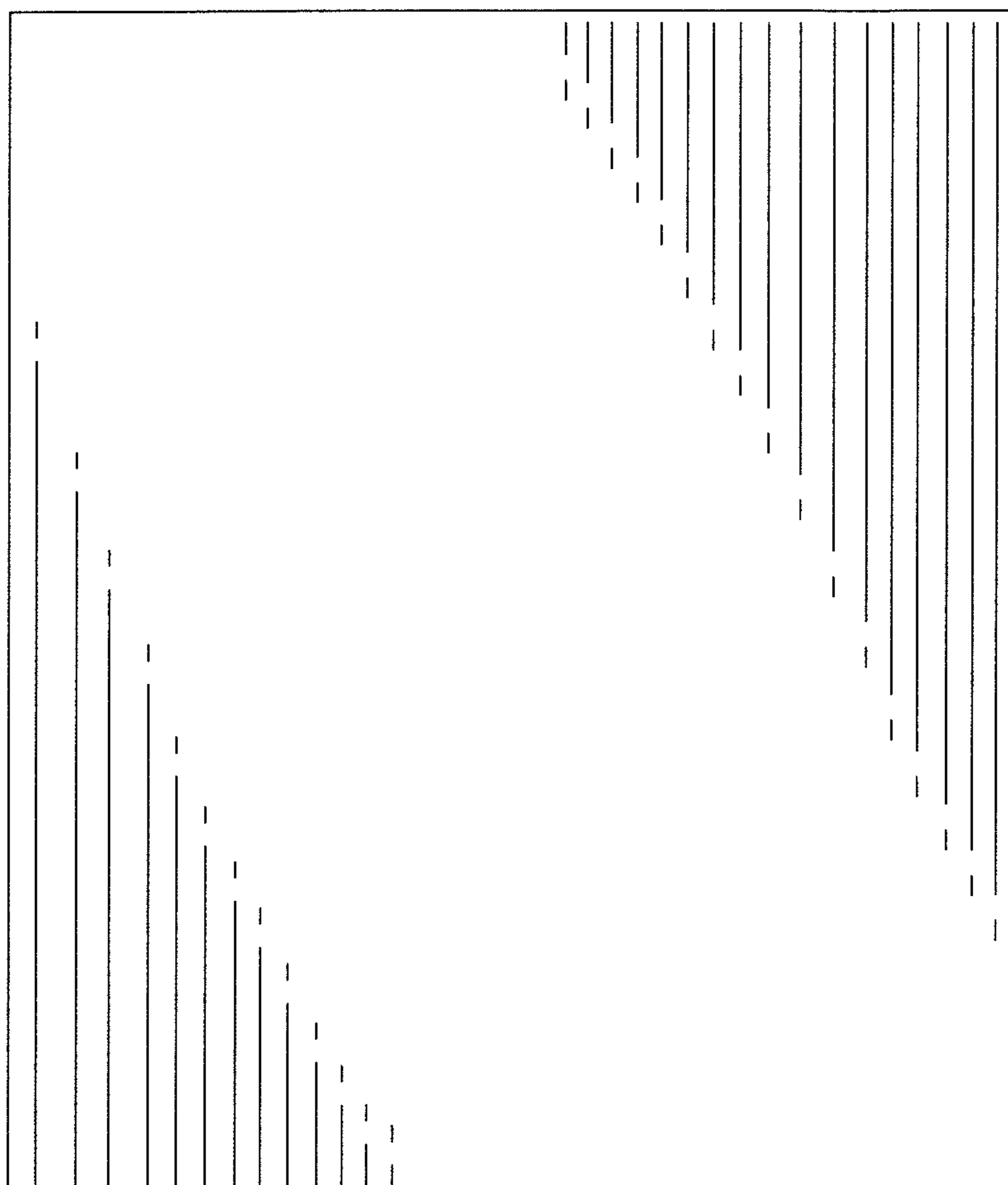


FIG. 3

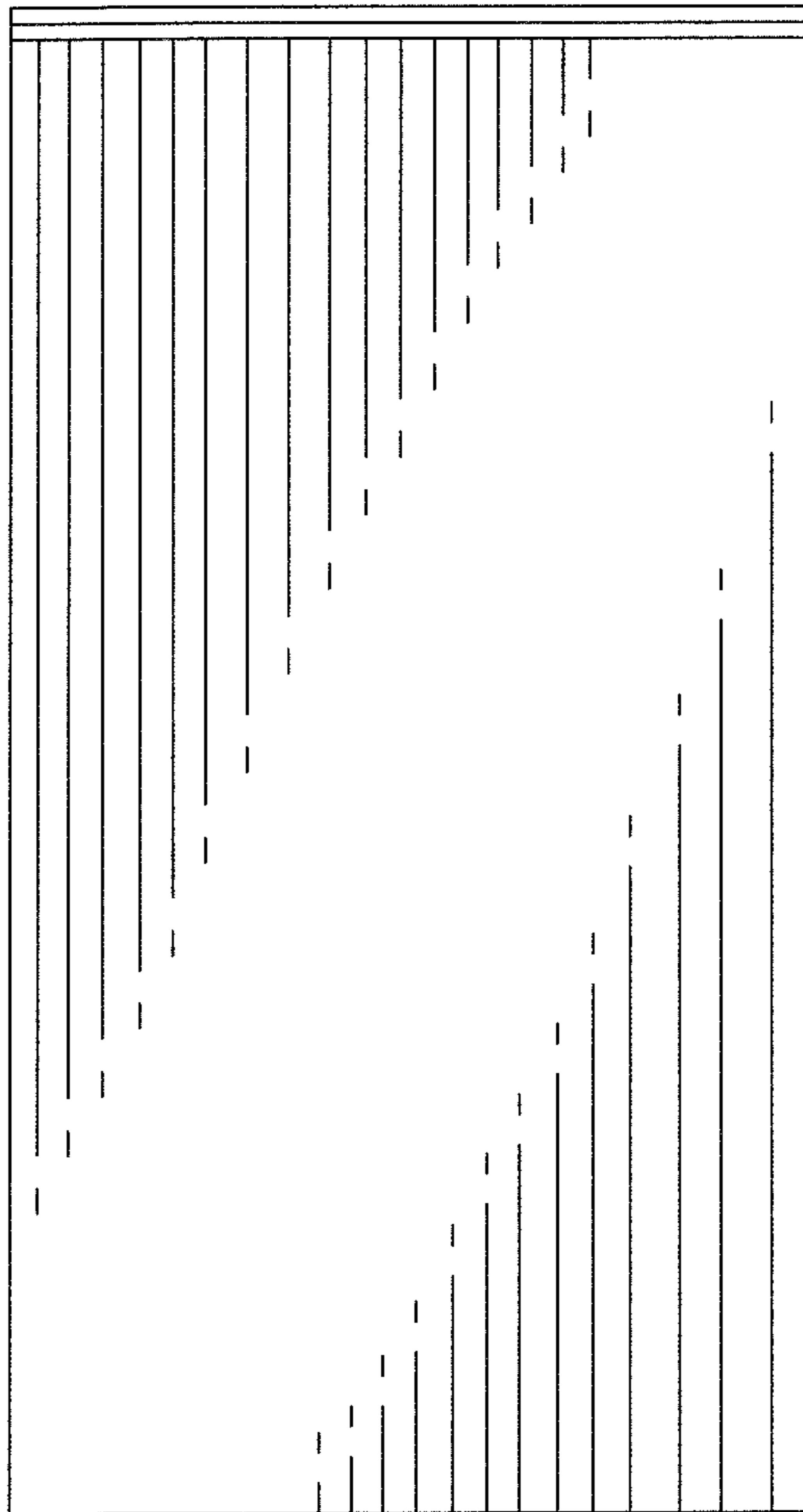


FIG. 4

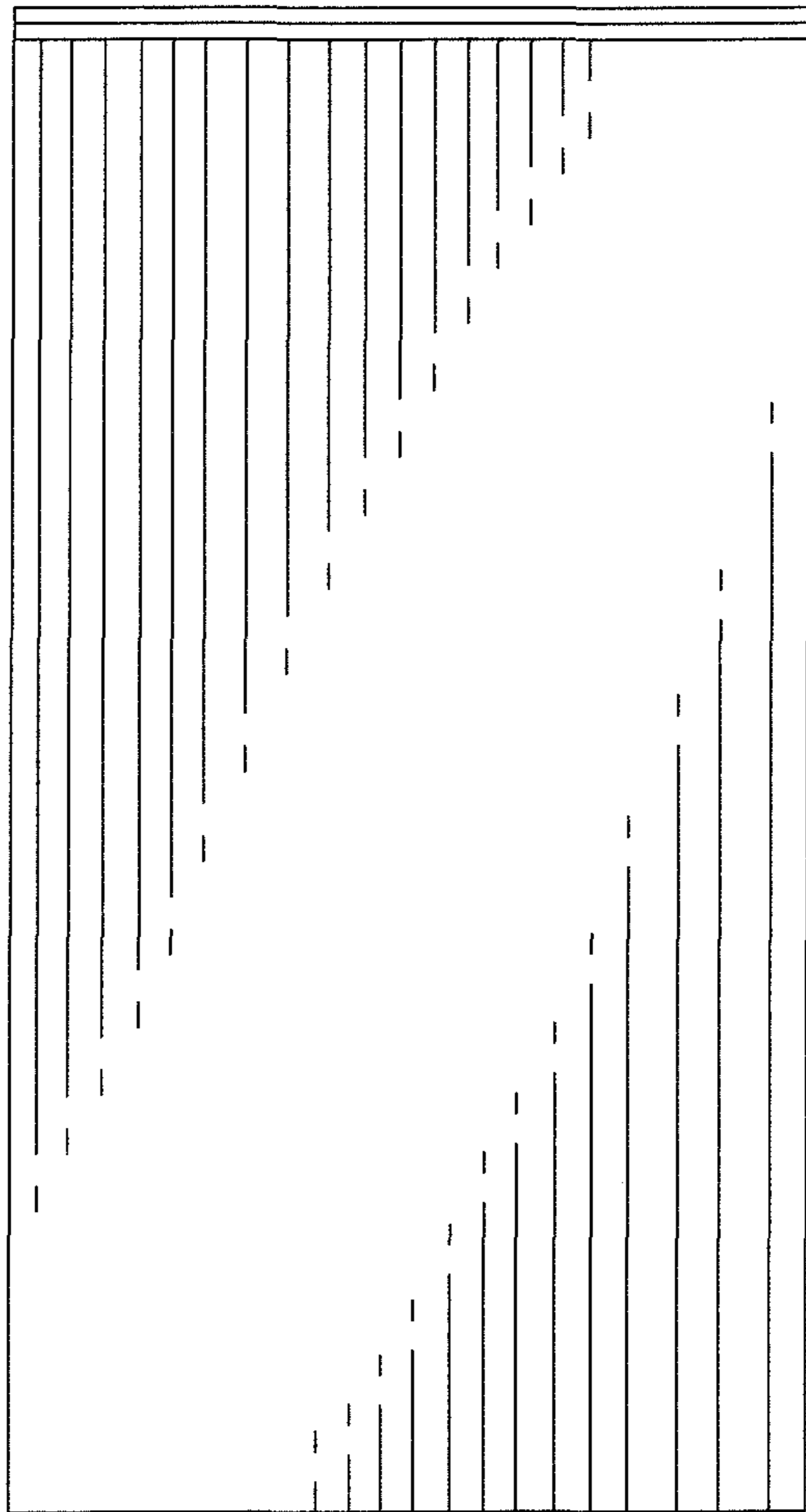


FIG. 5

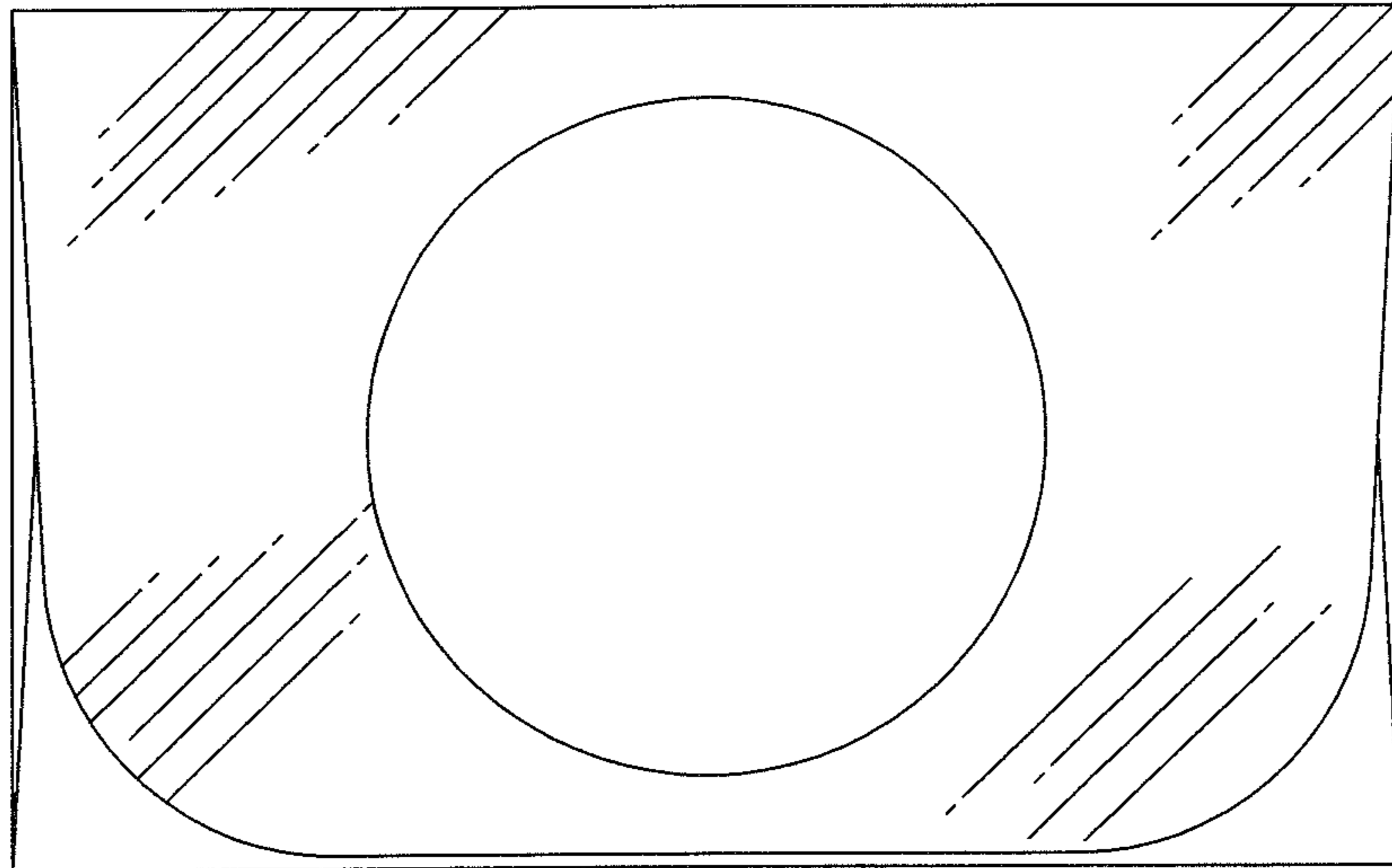


FIG. 6

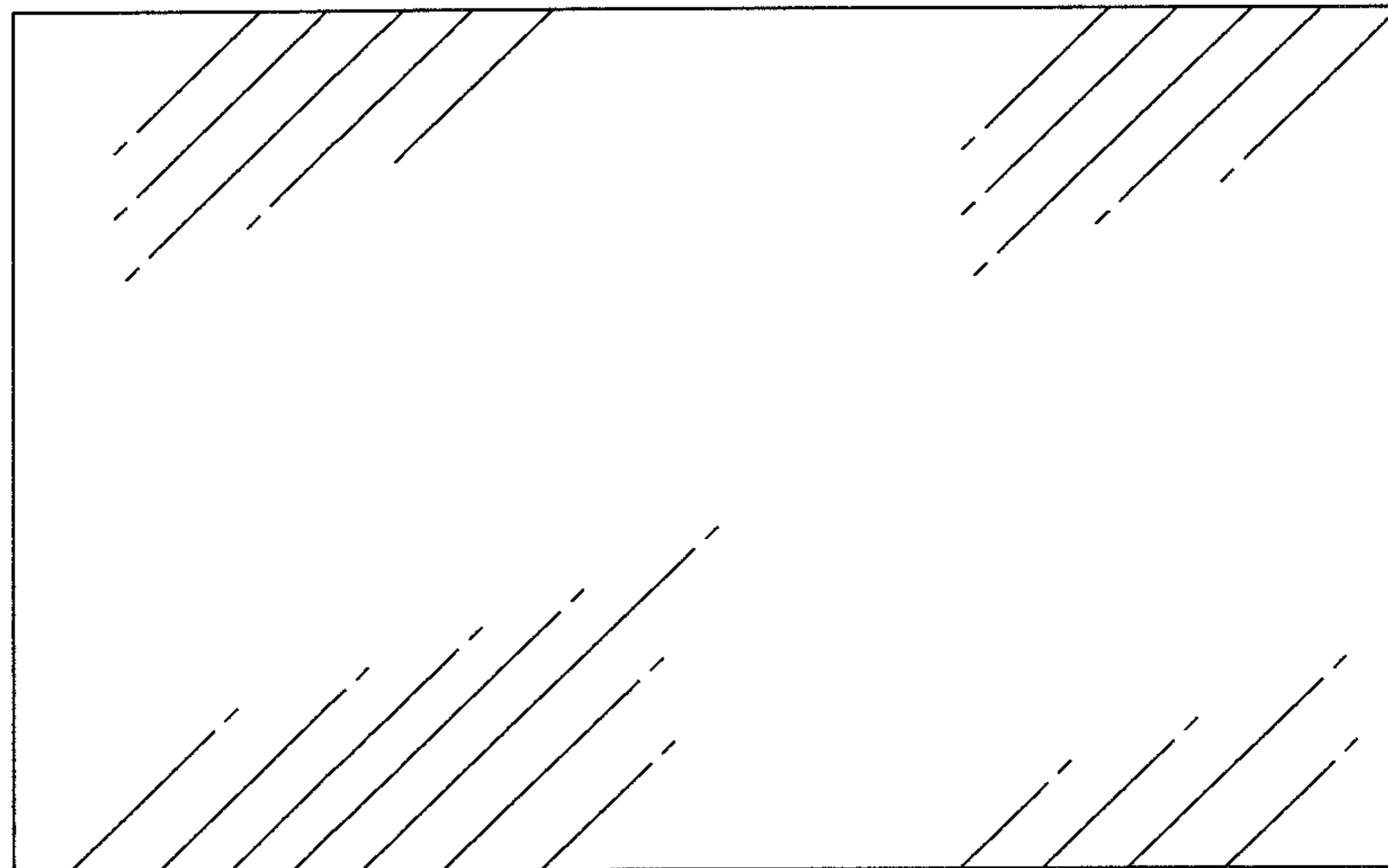


FIG. 7

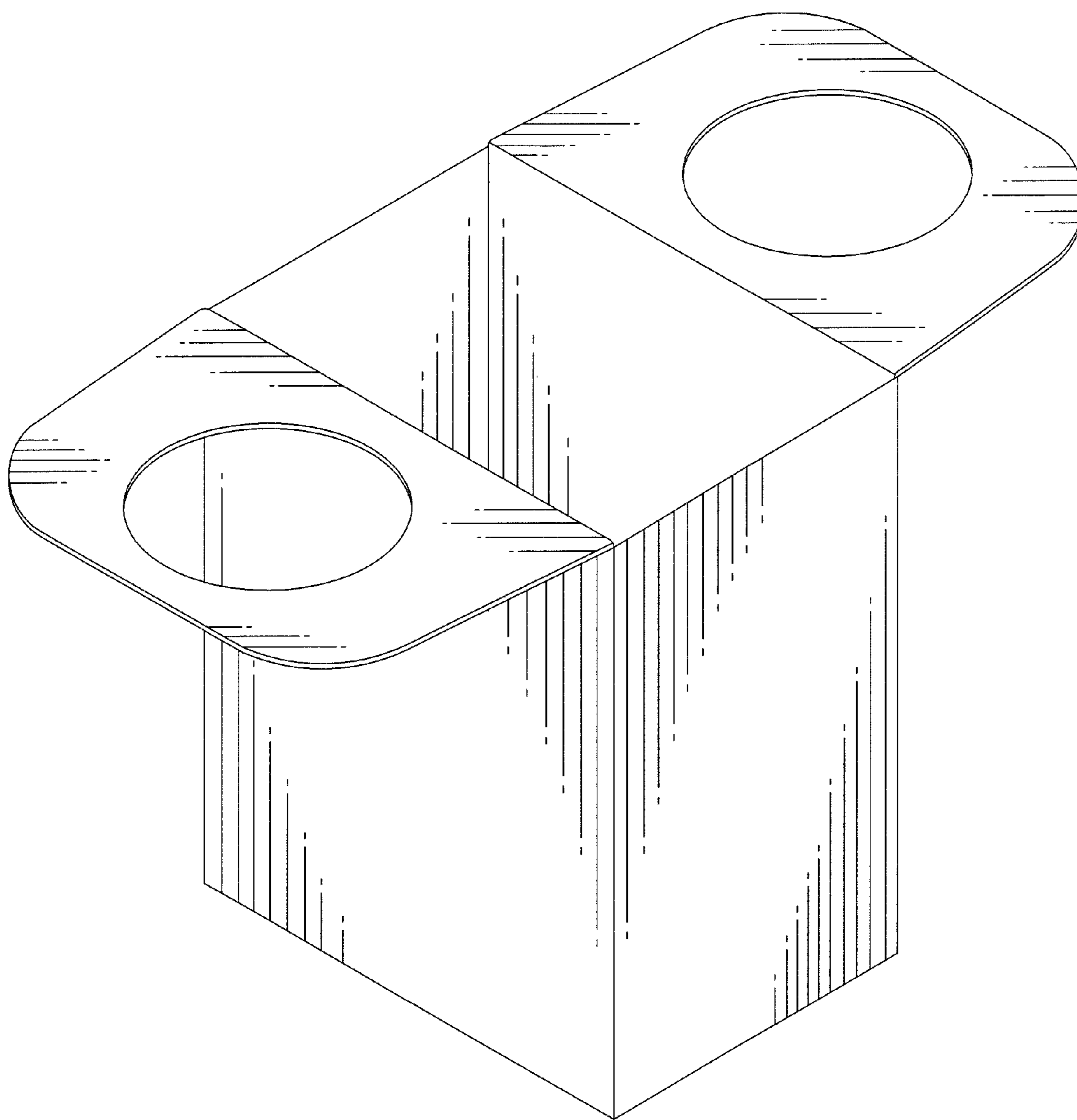


FIG. 8