

US00D699125S

(12) **United States Design Patent**
Martel

(10) **Patent No.:** **US D699,125 S**
(45) **Date of Patent:** **** Feb. 11, 2014**

(54) **HANGING BAG ASSEMBLY**
(71) Applicant: **Zevex, Inc.**, Salt Lake City, UT (US)
(72) Inventor: **Daniel A. Martel**, Stansbury, UT (US)
(73) Assignee: **Zevex, Inc.**, Salt Lake City, UT (US)
(**) Term: **14 Years**
(21) Appl. No.: **29/451,350**

5,600,933 A * 2/1997 Wiles et al. 53/133.4
5,782,383 A 7/1998 Robinson
D398,054 S * 9/1998 Eek D24/118
D408,533 S * 4/1999 Niedospial et al. D24/118
6,012,596 A 1/2000 Oglesbee et al.
D439,328 S * 3/2001 Nielsen D24/118
6,241,717 B1 6/2001 Niedospial
7,235,273 B2 6/2007 Ruston
D552,235 S * 10/2007 Inoue et al. D24/118
D604,637 S * 11/2009 Ueda D9/708
D610,918 S * 3/2010 Ueda D9/708
7,731,703 B2 6/2010 Matsuda et al.
D619,906 S * 7/2010 Carignan et al. D9/708

(Continued)

(22) Filed: **Apr. 1, 2013**
(51) **LOC (10) Cl.** **09-05**
(52) **U.S. Cl.**
USPC **D9/703**
(58) **Field of Classification Search**

Primary Examiner — Caron D Veynar
Assistant Examiner — Abraham Bahta
(74) *Attorney, Agent, or Firm* — Hodgson Russ LLP

USPC D9/702-714, 720-722, 414, 430-435,
D9/696, 716, 771, 447, 522, 571-575, 682,
D9/738-747, 516-517, 529-530, 547-549,
D9/569, 537-538, 544, 503-505, 545, 440,
D9/442; 383/6, 9, 22, 61.1, 96, 80-81,
383/104, 901, 63, 203, 107, 119, 120, 123,
383/42, 906, 93; D7/213, 601-602; 222/92,
222/104, 107, 206; 604/408, 410, 403;
220/495.03, 669, 675; 215/381-385,
215/12.1, 400, 316, 328; 206/438, 828;
D24/118, 127; D18/43
See application file for complete search history.

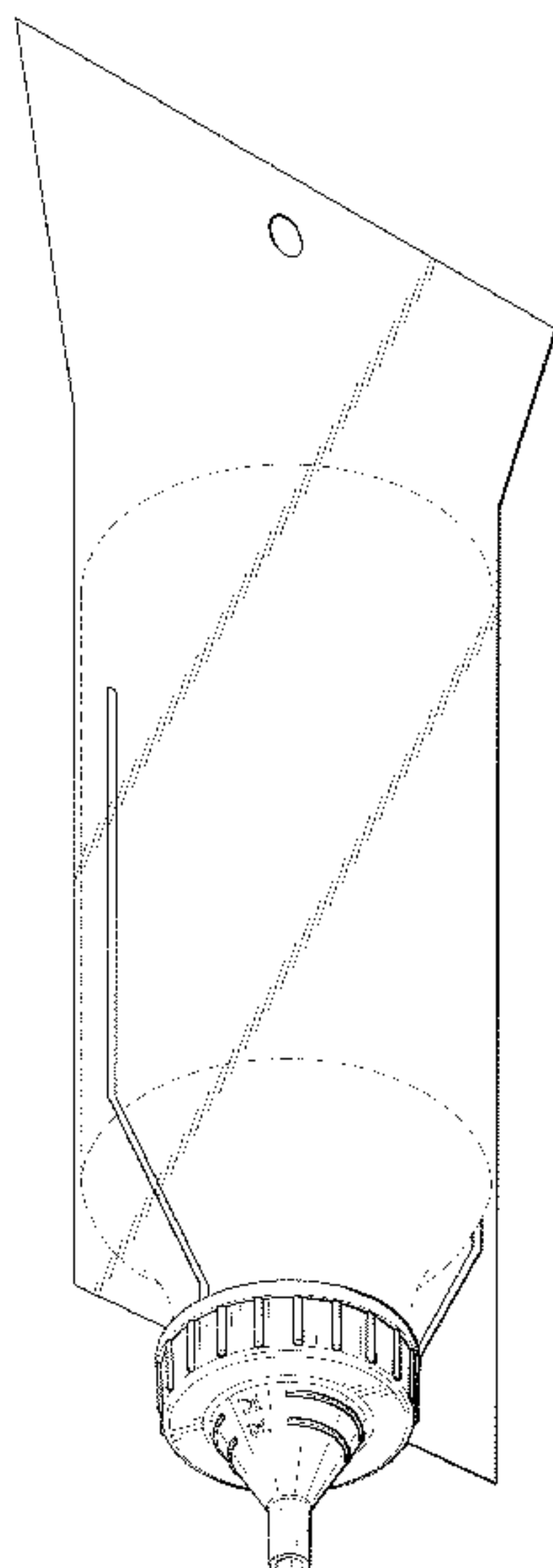
(57) **CLAIM**
The ornamental design for a hanging bag assembly, as shown and described.

DESCRIPTION

FIG. 1 is a perspective view of a hanging bag assembly showing my new design in an exemplary environment;
FIG. 2 is a bottom perspective view of the cap of the hanging bag assembly of FIG. 1 shown separately for ease of disclosure.
FIG. 3 is a front view of FIG. 2;
FIG. 4 is a right side view of view of FIG. 2;
FIG. 5 is a rear view of FIG. 2;
FIG. 6 is a bottom view of FIG. 2;
FIG. 7 is a top view of FIG. 2;
FIG. 8 is a top-perspective view of FIG. 2; and,
FIG. 9 is a front view of a bag of the hanging bag assembly of FIG. 1.
The broken lines illustrate unclaimed or environmental features that form no part of the claimed design.

(56) **References Cited**
U.S. PATENT DOCUMENTS
3,586,196 A 6/1971 Barton et al.
3,635,367 A 1/1972 Morita et al.
3,645,262 A 2/1972 Harrigan et al.
3,838,784 A 10/1974 Barton
3,990,597 A 11/1976 Barton
4,976,707 A 12/1990 Bodicky et al.
4,994,076 A 2/1991 Guss
D322,214 S * 12/1991 Davis D9/517

1 Claim, 9 Drawing Sheets



US D699,125 S

Page 2

(56)

References Cited

U.S. PATENT DOCUMENTS

			8,267,912 B2	9/2012	Ferris	
			D687,319 S *	8/2013	Panetta	D9/709
			2004/0011760 A1	1/2004	Schupp et al.	
D623,734 S *	9/2010	Tsuruoka et al.				D24/118
7,799,008 B2	9/2010	Hendricks				

* cited by examiner

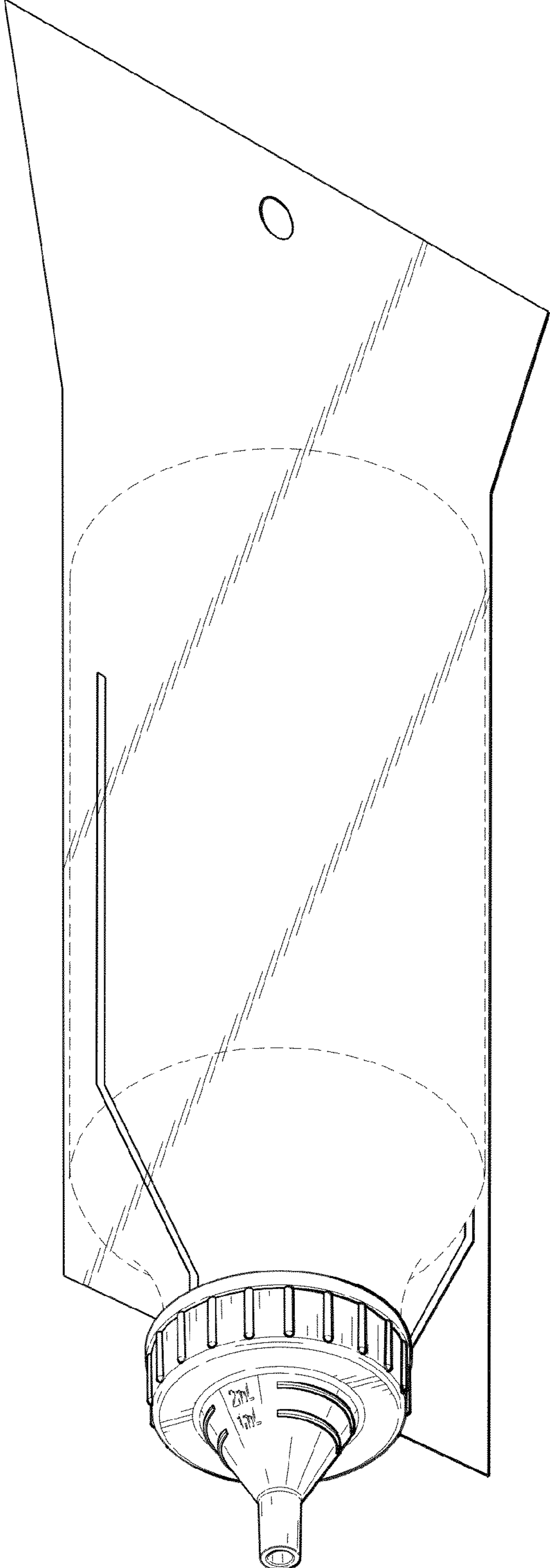


FIG. 1

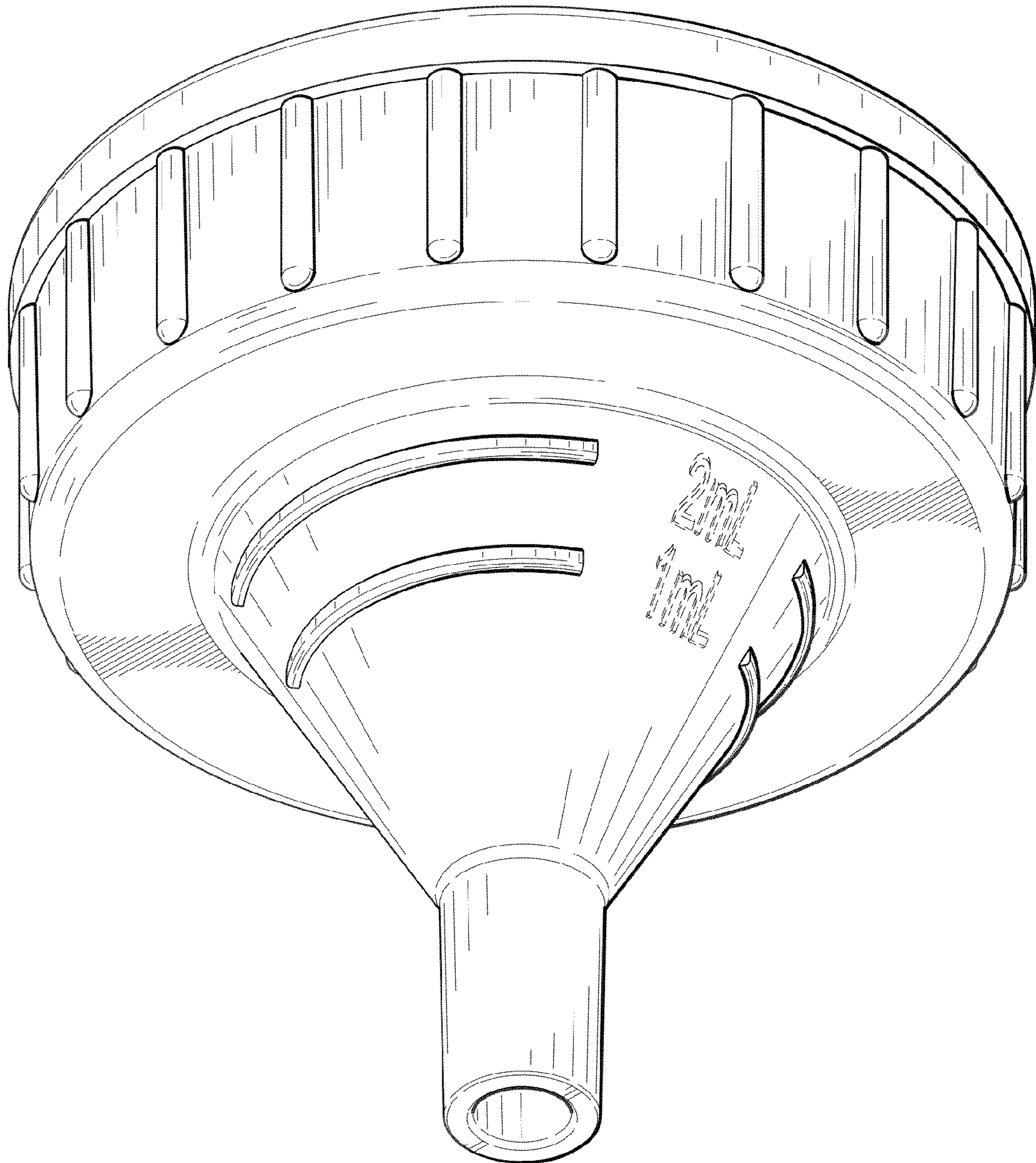


FIG. 2

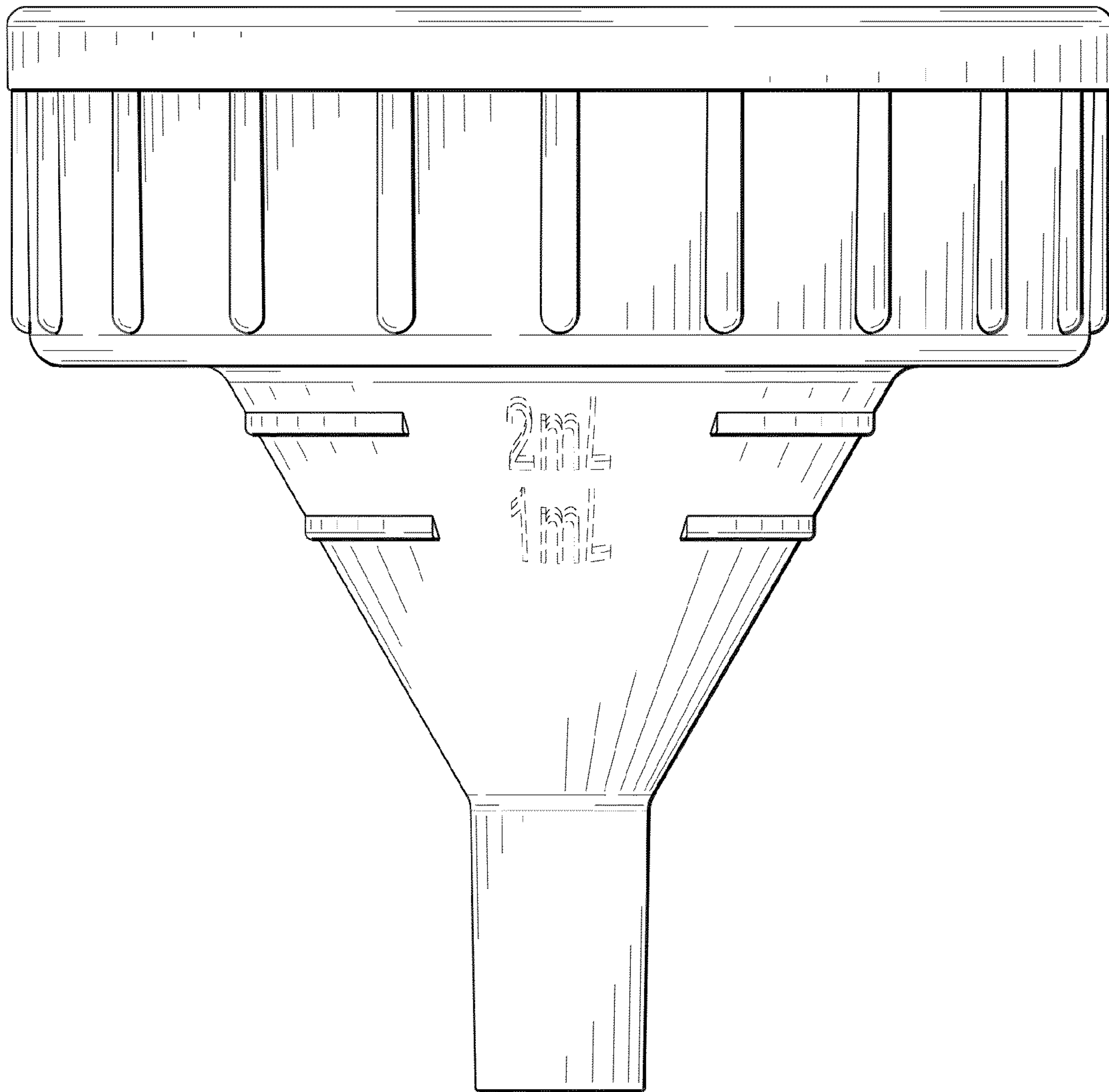


FIG. 3

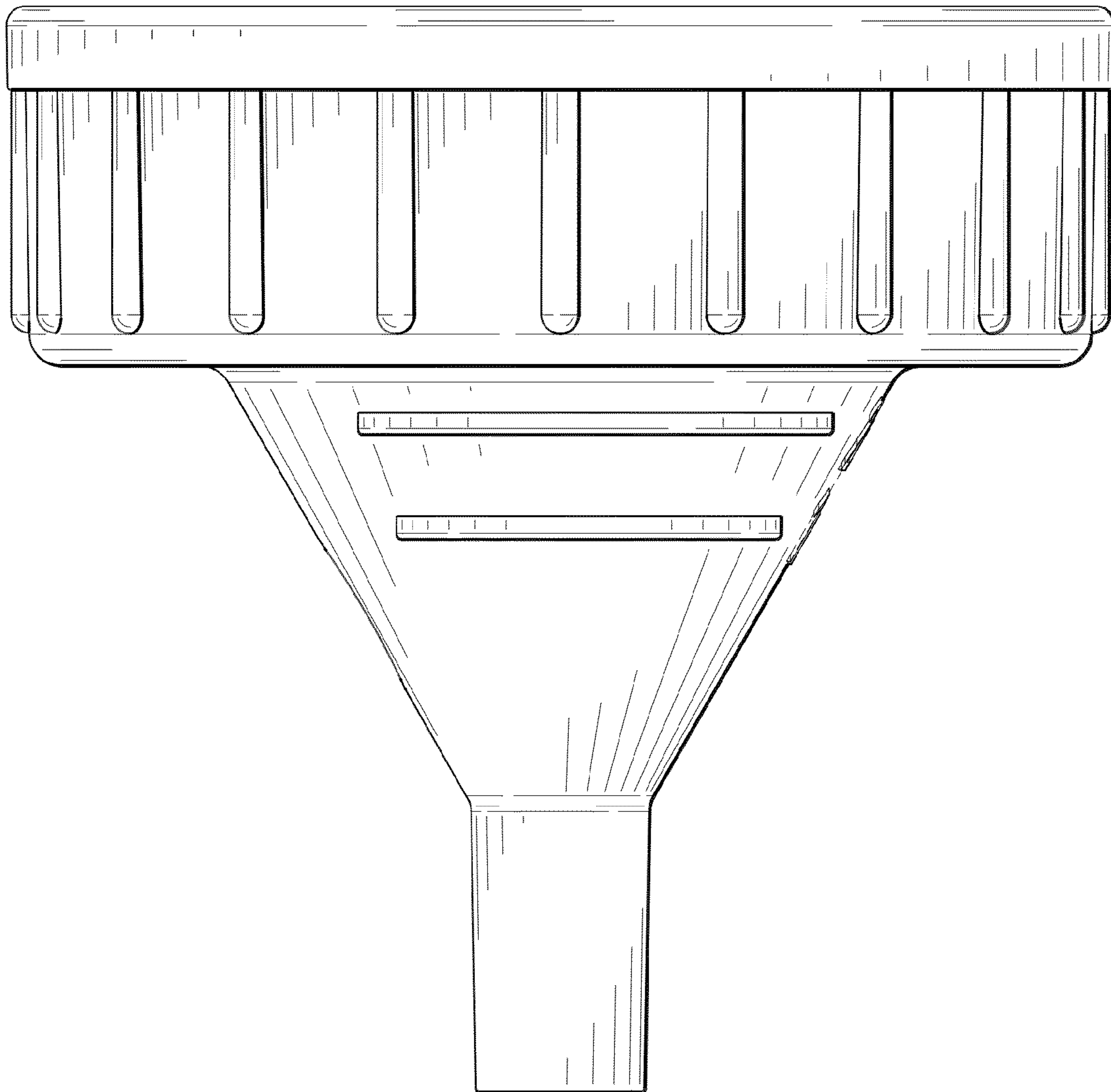


FIG. 4

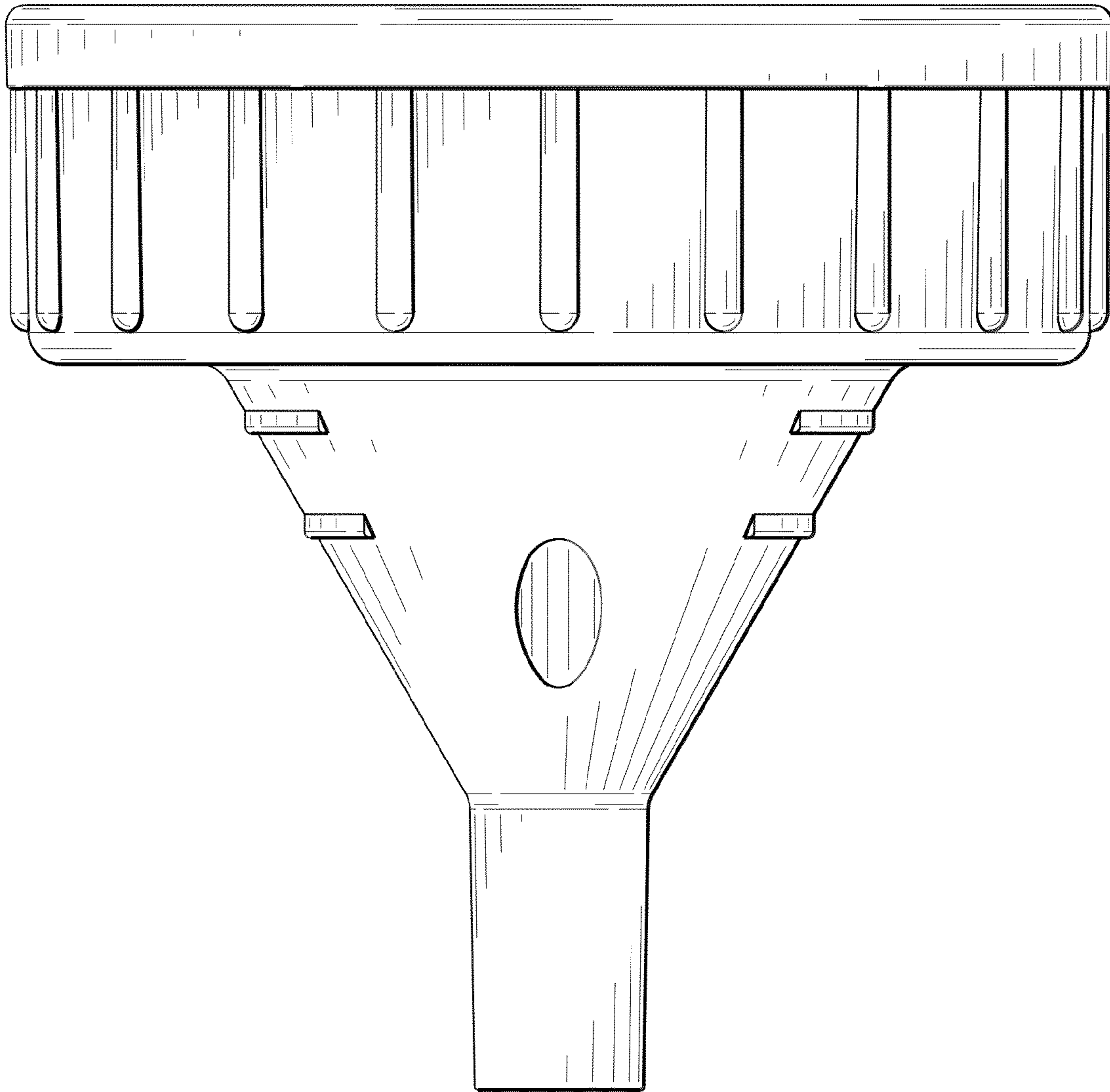


FIG. 5

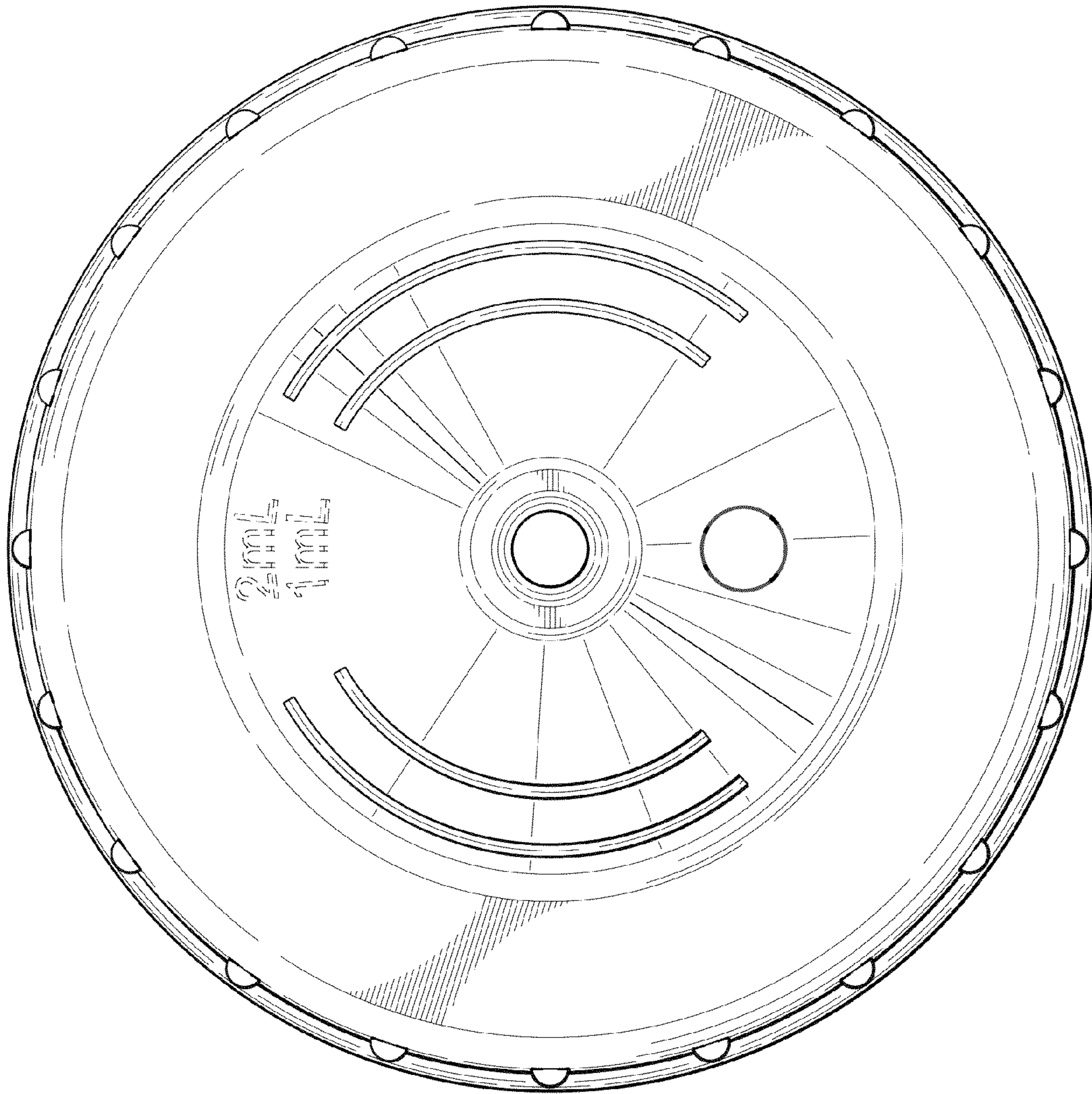


FIG. 6

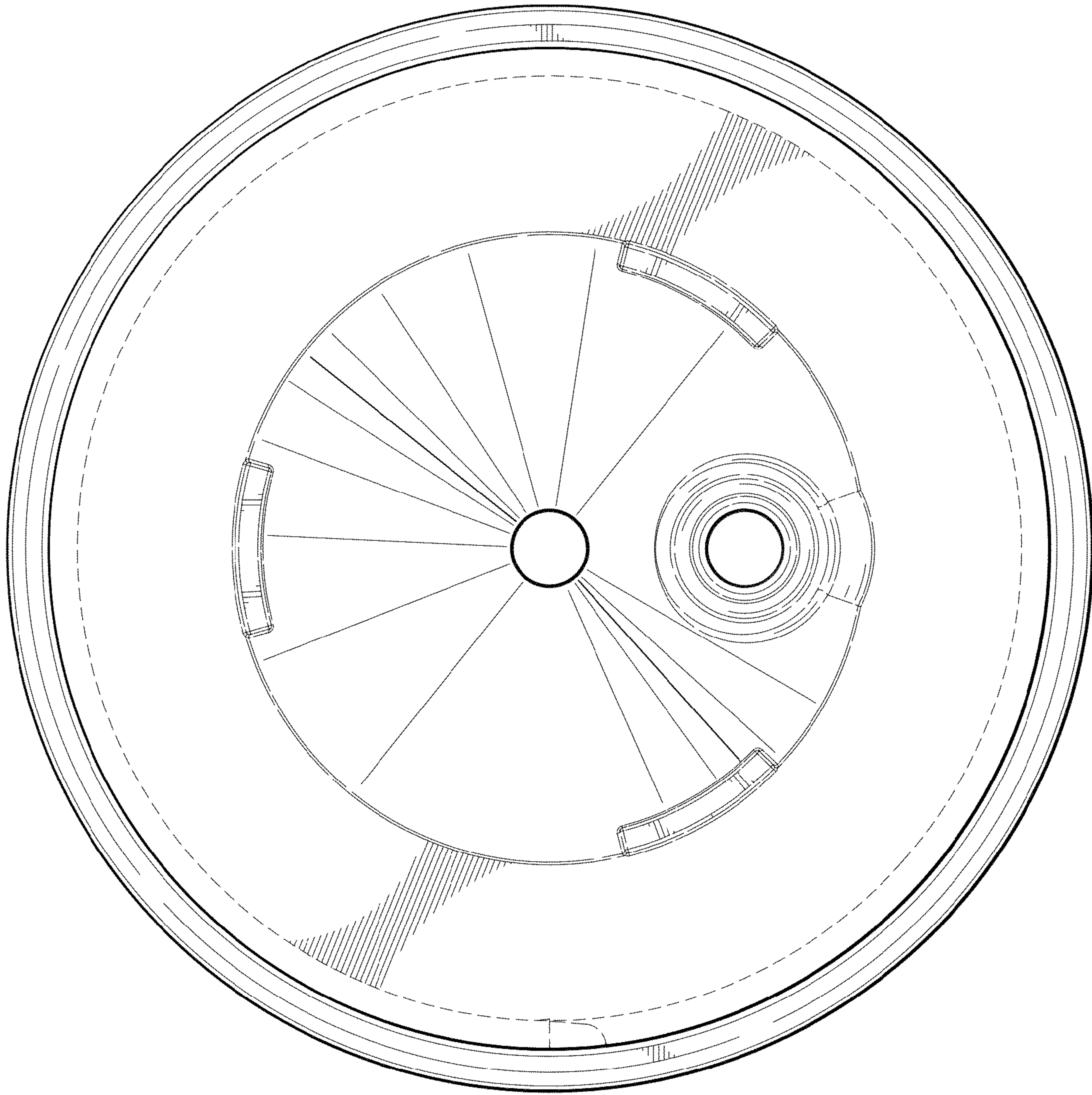


FIG. 7

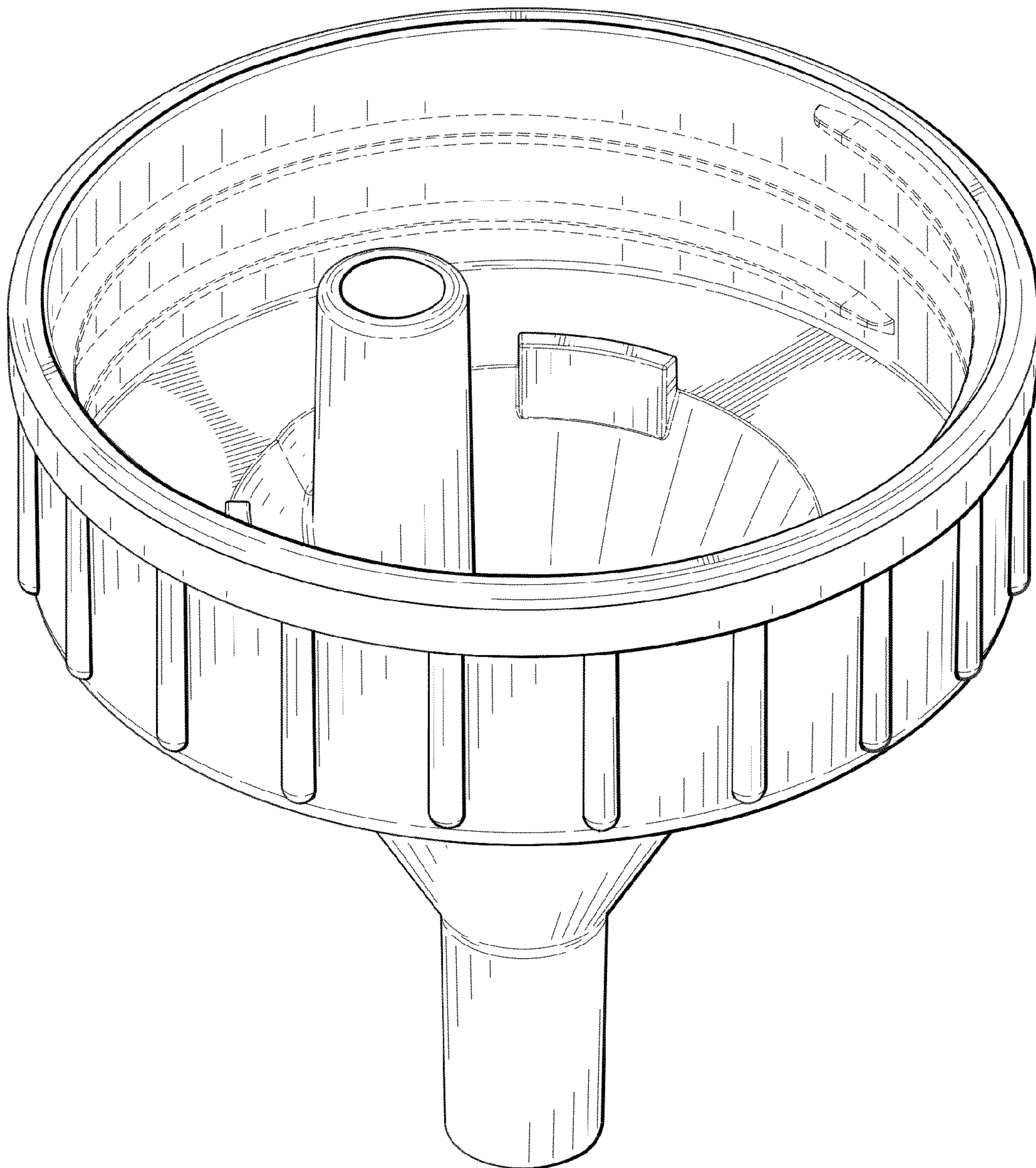


FIG. 8

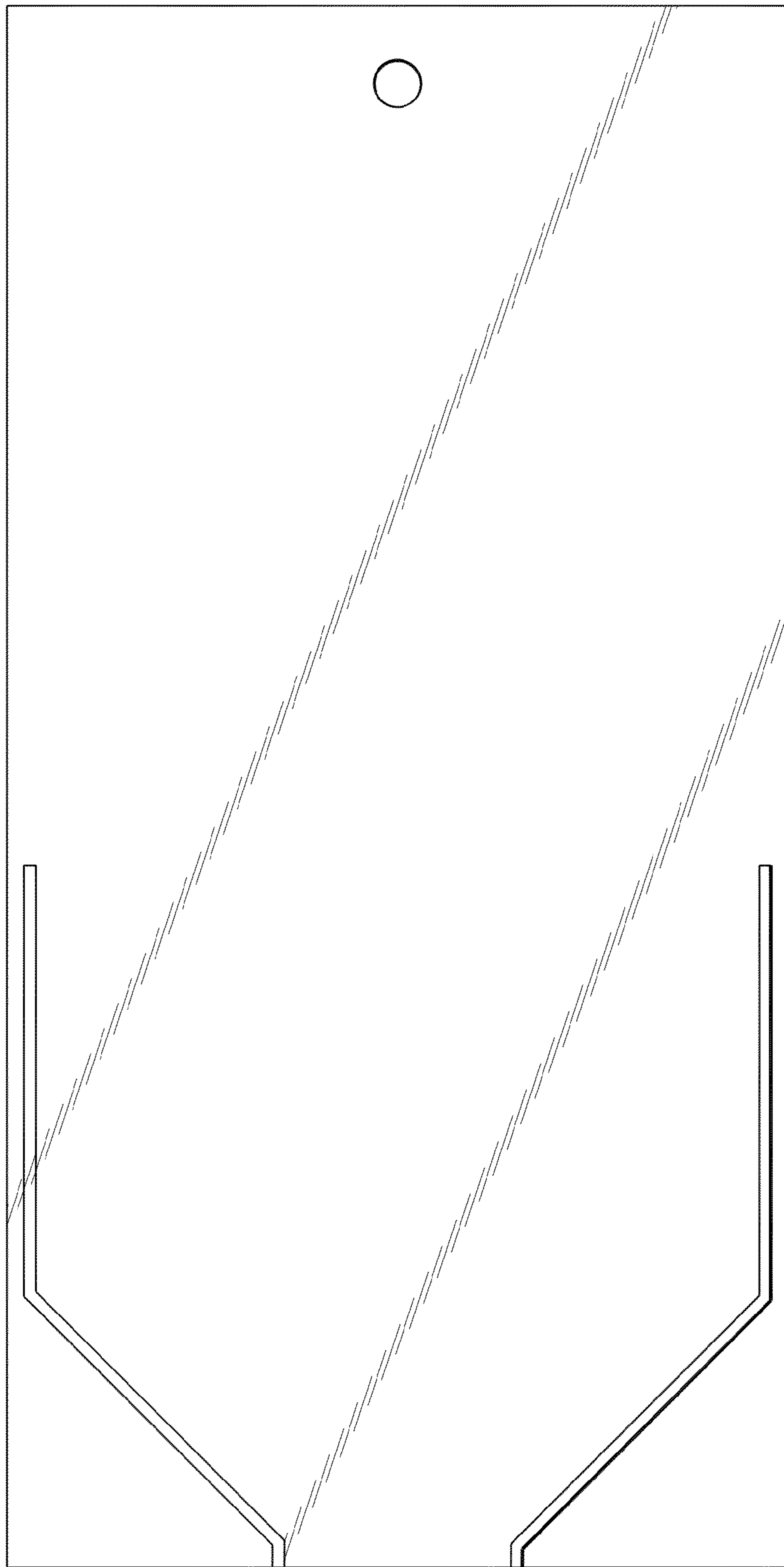


FIG. 9