

US00D699122S

(12) **United States Design Patent**  
**Thuesen**

(10) **Patent No.:** **US D699,122 S**

(45) **Date of Patent:** **\*\* \*Feb. 11, 2014**

(54) **MATCHBOOK**

(75) Inventor: **Marcus L. Thuesen**, Houston, TX (US)

(73) Assignee: **AdverFlame, LLC**, Houston, TX (US)

(\*) Notice: This patent is subject to a terminal disclaimer.

(\*\*) Term: **14 Years**

(21) Appl. No.: **29/395,286**

(22) Filed: **Dec. 29, 2011**

(51) **LOC (10) Cl.** ..... **09-03**

(52) **U.S. Cl.**  
USPC ..... **D9/701**

(58) **Field of Classification Search**  
USPC ..... D19/1-12, 20-34; D27/139-140,  
D27/172-193; D9/432, 416, 701;  
229/70-76, 87.01-81.09, 87.11-87.19,  
229/92.8; 206/472, 476, 104, 99, 108, 110,  
206/113, 820, 90-96, 121, 216, 395, 424,  
206/484

See application file for complete search history.

(56) **References Cited**

**U.S. PATENT DOCUMENTS**

1,116,043	A	11/1914	Elliot	
1,459,033	A *	6/1923	Pfersch	206/109
1,634,712	A	7/1927	Friedman	
1,650,703	A	11/1927	Friedman	
1,839,846	A	1/1932	Greenbaum	
1,968,353	A	7/1934	Potter	
1,975,526	A	10/1934	Williams et al.	
2,023,884	A *	12/1935	Grote	401/52
2,105,842	A	1/1938	Pindell	
2,118,634	A	5/1938	Williams	
2,184,629	A	12/1939	Weiss	
2,234,276	A	3/1941	Redcliffe	
2,288,342	A	6/1942	Brooks	
2,296,510	A *	9/1942	Fischer	206/106

2,297,527	A *	9/1942	Behan	206/114
2,304,403	A *	12/1942	Fischer	206/106
2,411,368	A	11/1946	Dow	

(Continued)

**OTHER PUBLICATIONS**

KM Zundholz Int'l Karl Muller GmbH Website (www.kmmatch.com) , page [http://www.kmmatch.com/Werbezuendhoelzer/pic/abbildung/g\\_specia12.jpg](http://www.kmmatch.com/Werbezuendhoelzer/pic/abbildung/g_specia12.jpg) (Aug. 11, 2004).

(Continued)

*Primary Examiner* — Caron D Veynar

*Assistant Examiner* — Abraham Bahta

(74) *Attorney, Agent, or Firm* — Keith B. Willhelm

(57) **CLAIM**

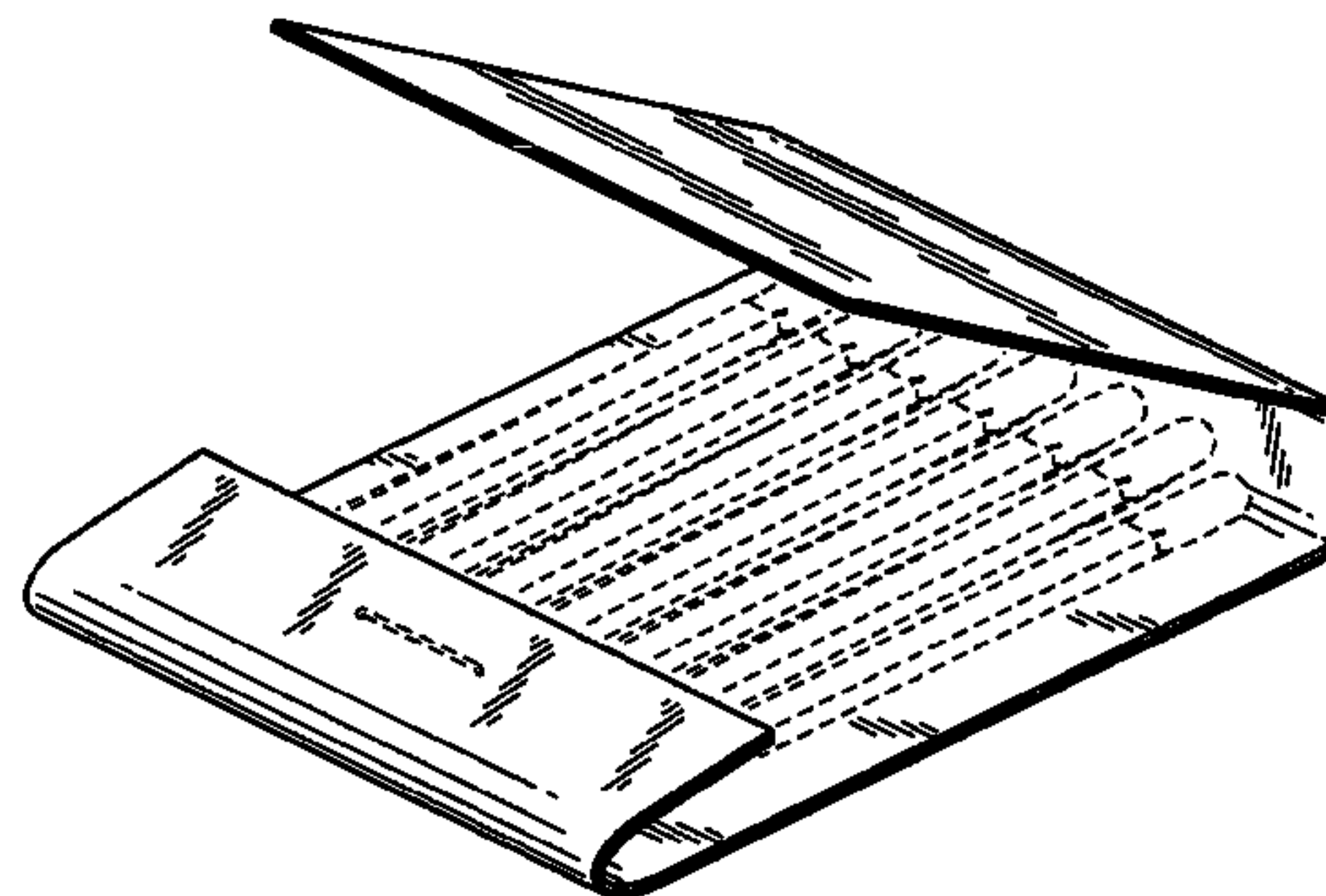
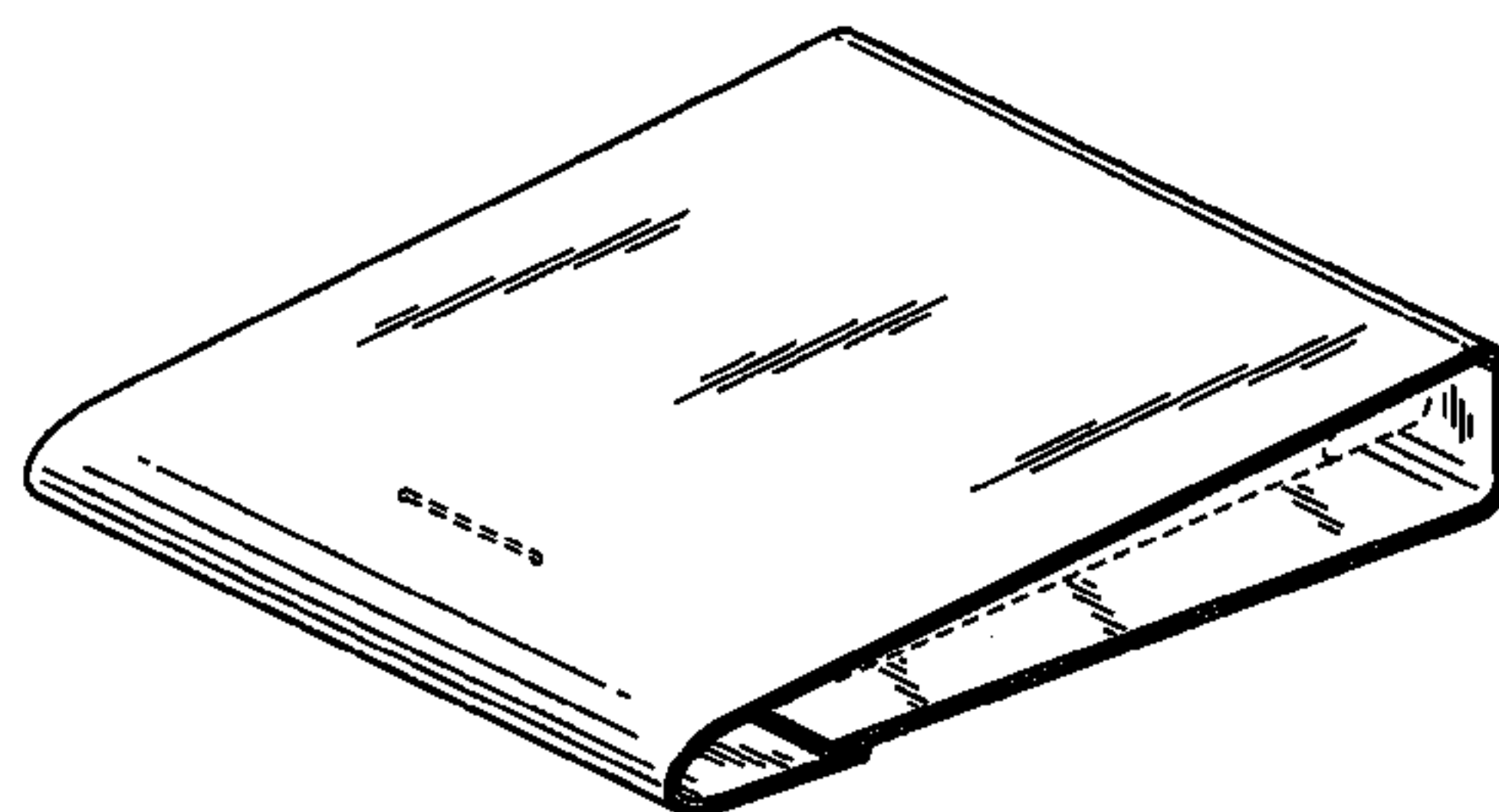
I claim the ornamental design for a matchbook, as shown and described.

**DESCRIPTION**

FIG. 1 is a top, right rear perspective view of the matchbook, with an insert sheet carried thereon showing my new design; FIG. 2 is a top, right front perspective view thereof; the cover of the matchbook being partially opened; FIG. 3 is a top, right rear perspective view thereof; the cover being fully opened; FIG. 4 is a back elevation thereof; the cover being fully opened; FIG. 5 is a front elevation view thereof; FIG. 6 is a back elevation view thereof; FIG. 7 is a bottom view thereof; FIG. 8 is a top view thereof; and, FIG. 9 is a right side view; the left view being a mirror image thereof.

The broken line showing of a staple and matches is included for the purpose of illustrating environmental structure and forms no part of the claimed design.

**1 Claim, 5 Drawing Sheets**



(56)

**References Cited**

U.S. PATENT DOCUMENTS

3,038,595 A 2/1959 Janus  
 2,933,181 A 4/1960 Will  
 2,996,173 A 8/1961 Will  
 3,211,470 A 10/1965 Wilson  
 3,358,817 A 12/1967 Will  
 3,394,795 A 7/1968 Bernard  
 3,958,689 A 5/1976 Roth  
 4,053,048 A \* 10/1977 Cohn ..... 206/106  
 D248,369 S \* 7/1978 Robertson et al. .... D9/600  
 4,103,820 A 8/1978 Mathison et al.  
 4,154,337 A 5/1979 Tybie  
 4,620,664 A 11/1986 Kaufman  
 D286,981 S \* 12/1986 Gold ..... D9/701  
 4,690,273 A 9/1987 Smith  
 4,795,027 A 1/1989 Benavides  
 4,917,236 A 4/1990 Galvez-Moran  
 5,072,877 A 12/1991 Van Fulpen  
 5,074,462 A 12/1991 Countee, Jr.  
 5,119,941 A 6/1992 Lepie

5,181,755 A \* 1/1993 Stanwich et al. .... 294/212  
 5,474,183 A 12/1995 Warren et al.  
 6,085,903 A 7/2000 Jotcham et al.  
 6,305,531 B1 10/2001 Wilkman  
 D462,007 S \* 8/2002 Spinoy ..... D9/701  
 8,087,214 B1 1/2012 Thuesen et al.  
 8,266,876 B1 9/2012 Thuesen et al.  
 2002/0030112 A1 3/2002 Schreiber  
 2006/0157370 A1 7/2006 Thuesen et al.

OTHER PUBLICATIONS

Office Action, U.S. Appl. No. 10/980,547, mailed Aug. 8, 2006.  
 Office Action, U.S. Appl. No. 10/980,547, mailed Jan. 17, 2007.  
 Office Action, U.S. Appl. No. 10/980,547, mailed Apr. 16, 2007.  
 Office Action, U.S. Appl. No. 10/980,547, mailed Dec. 11, 2007.  
 Office Action, U.S. Appl. No. 11/893,252, mailed Jan. 27, 2009.  
 Office Action, U.S. Appl. No. 11/893,252, mailed Jun. 30, 2009.  
 Office Action, U.S. Appl. No. 11/893,252, mailed Mar. 30, 2011.  
 Office Action, U.S. Appl. No. 13/373,159, mailed Mar. 1, 2012.

\* cited by examiner

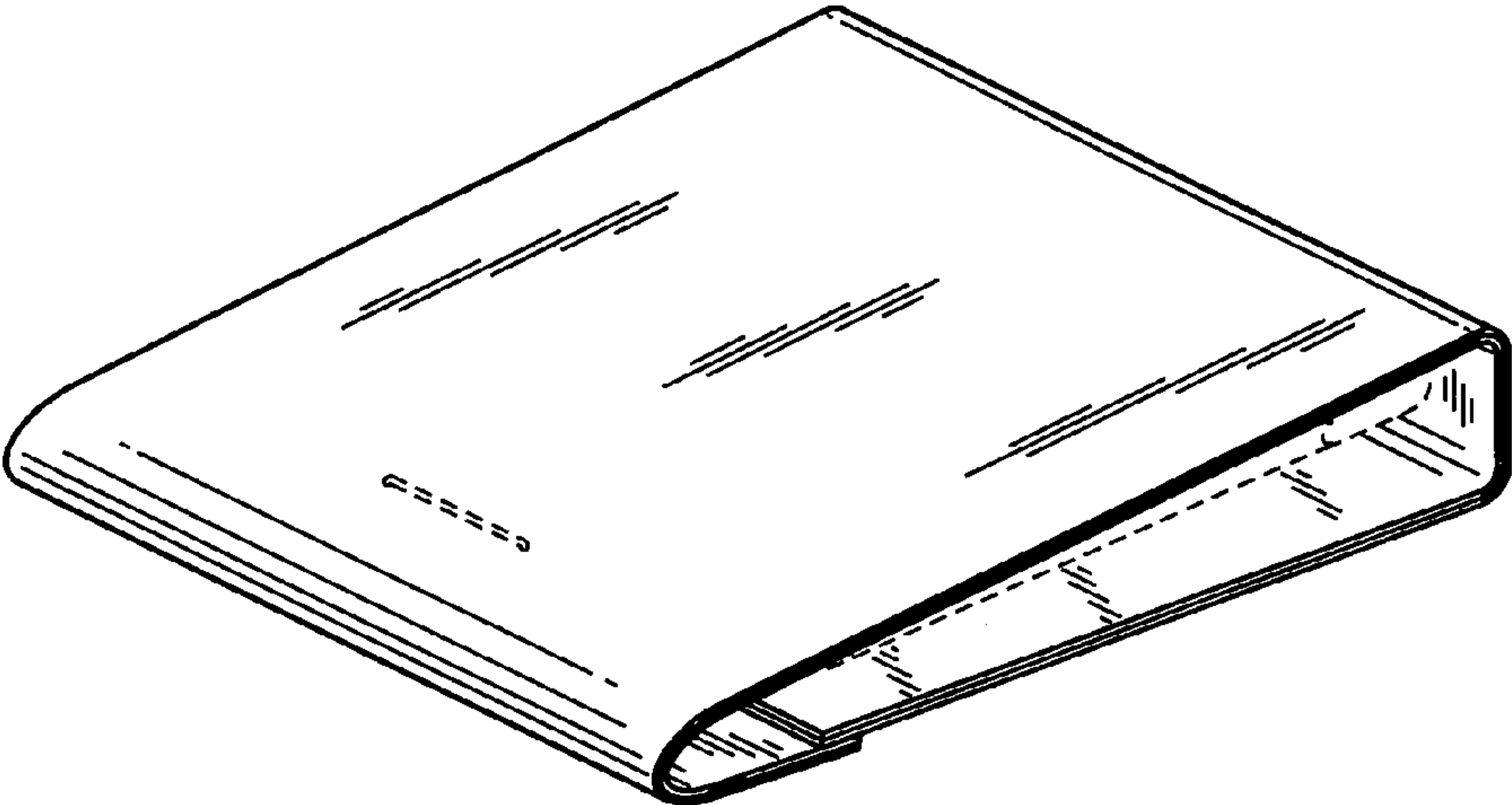


FIG. 1

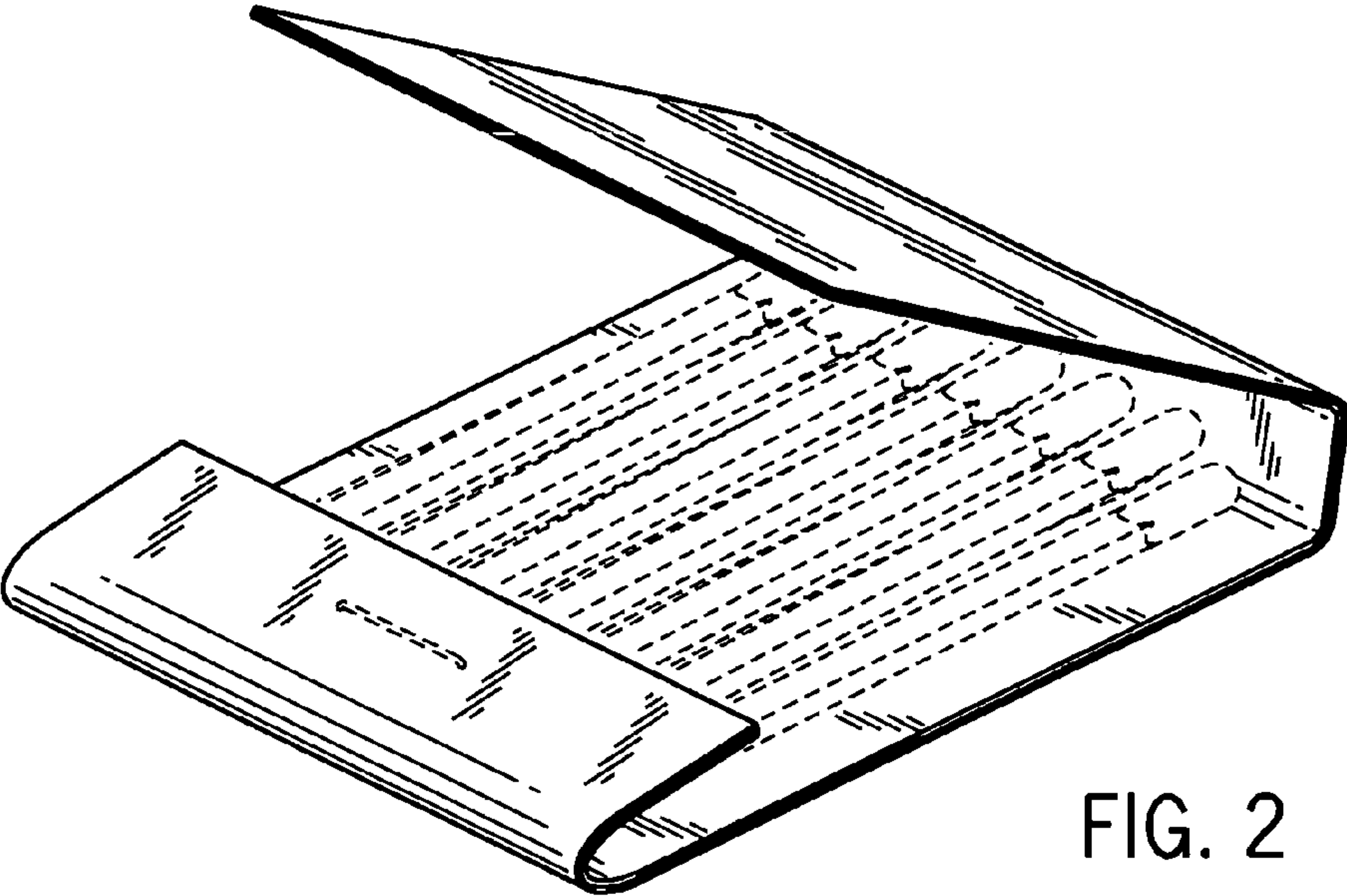


FIG. 2

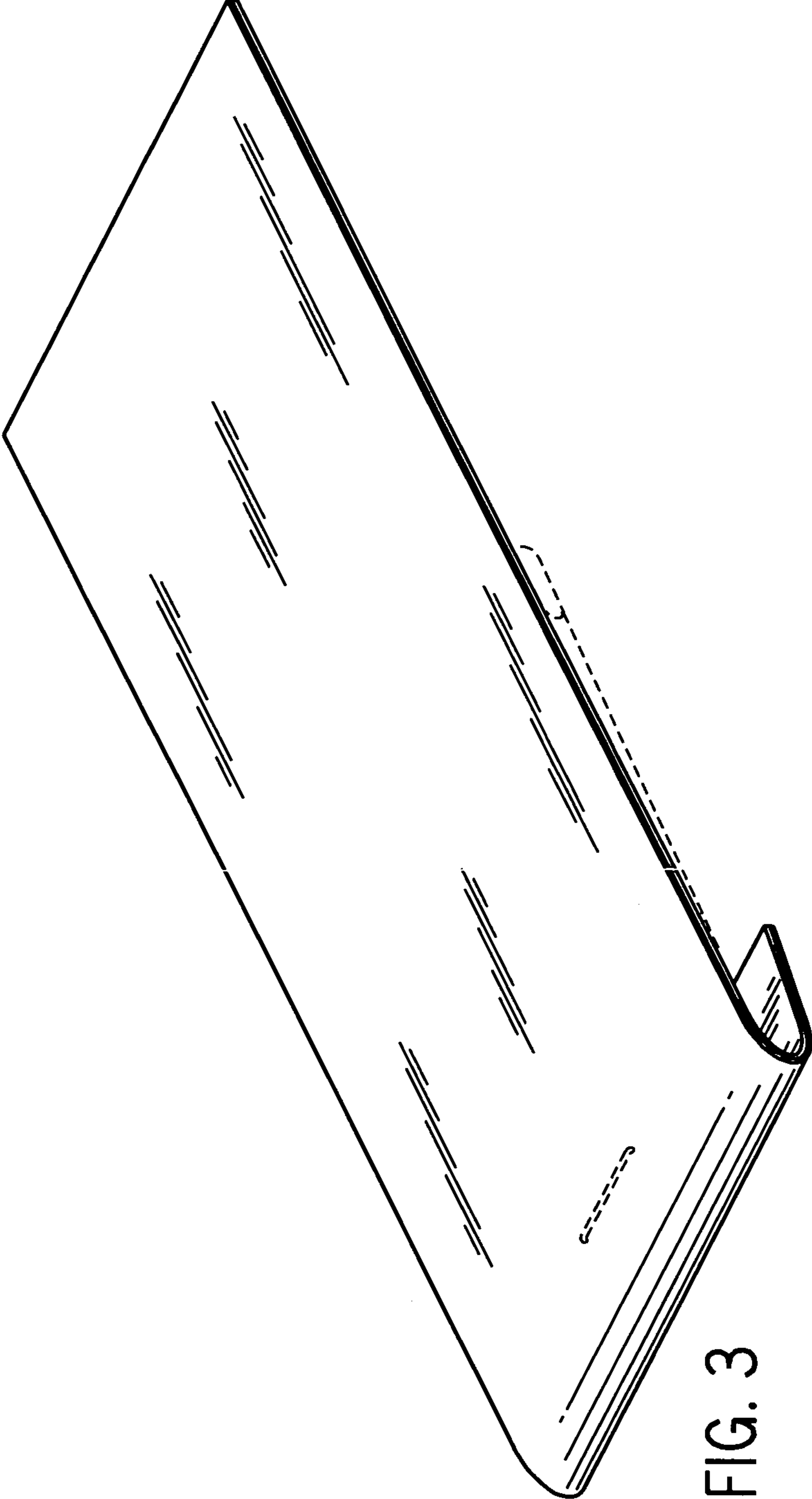
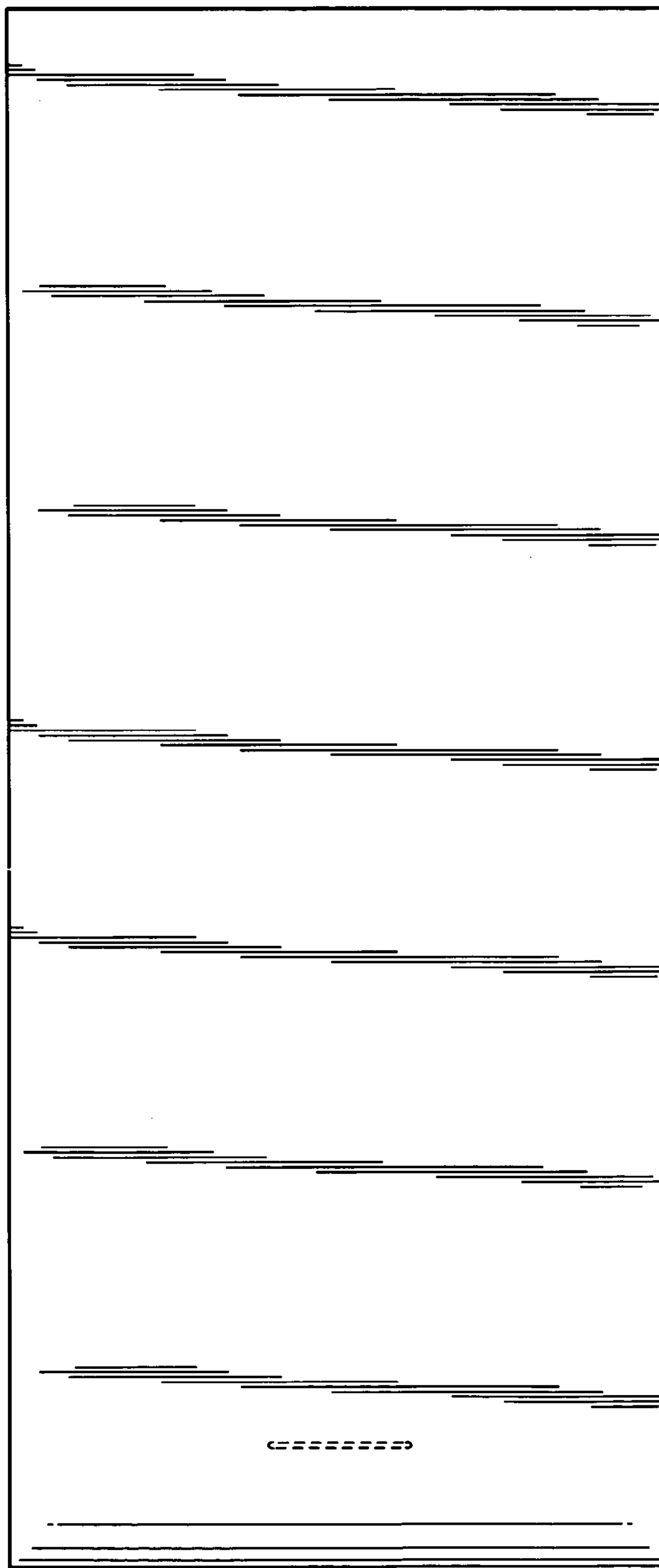


FIG. 3

FIG. 4





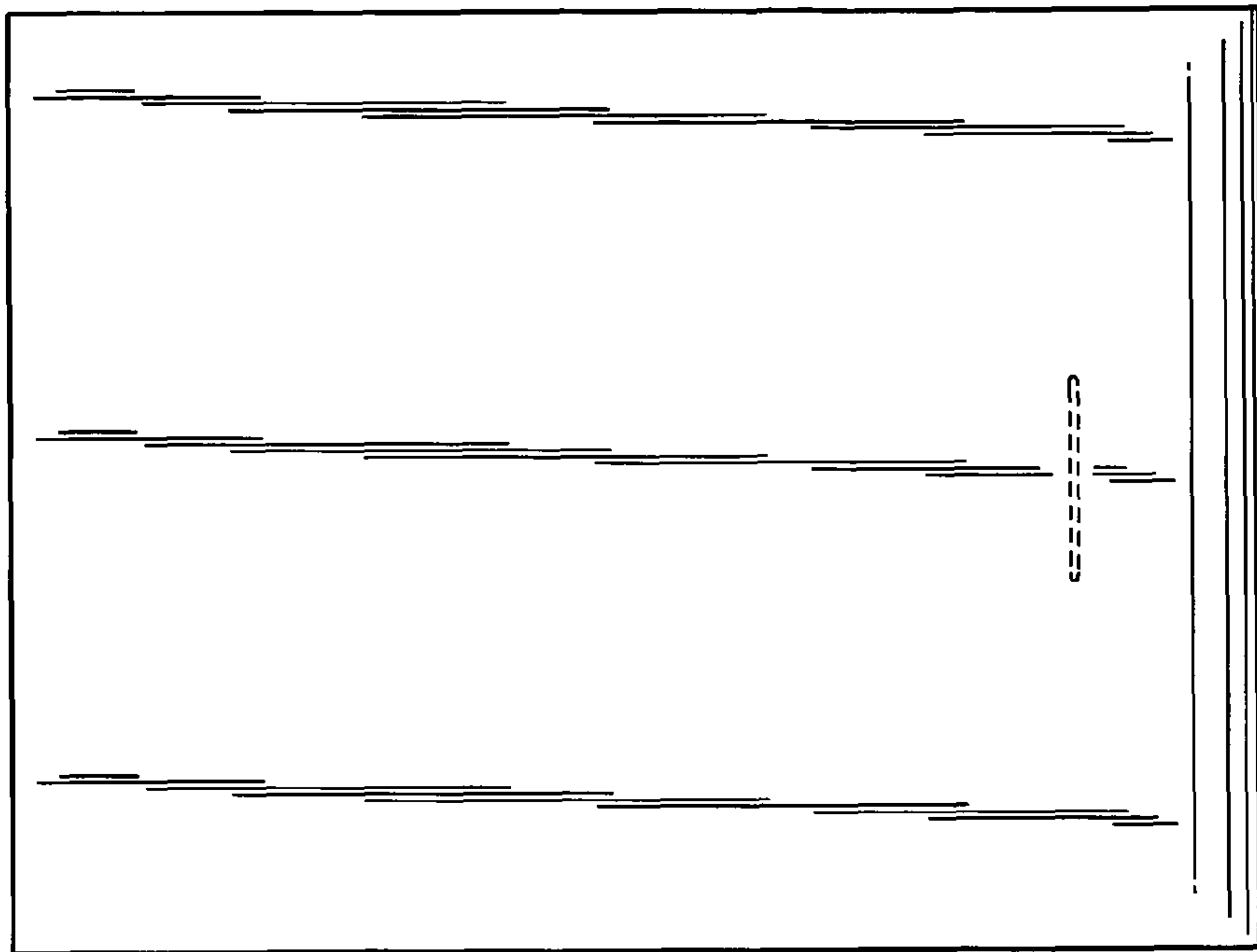


FIG. 6

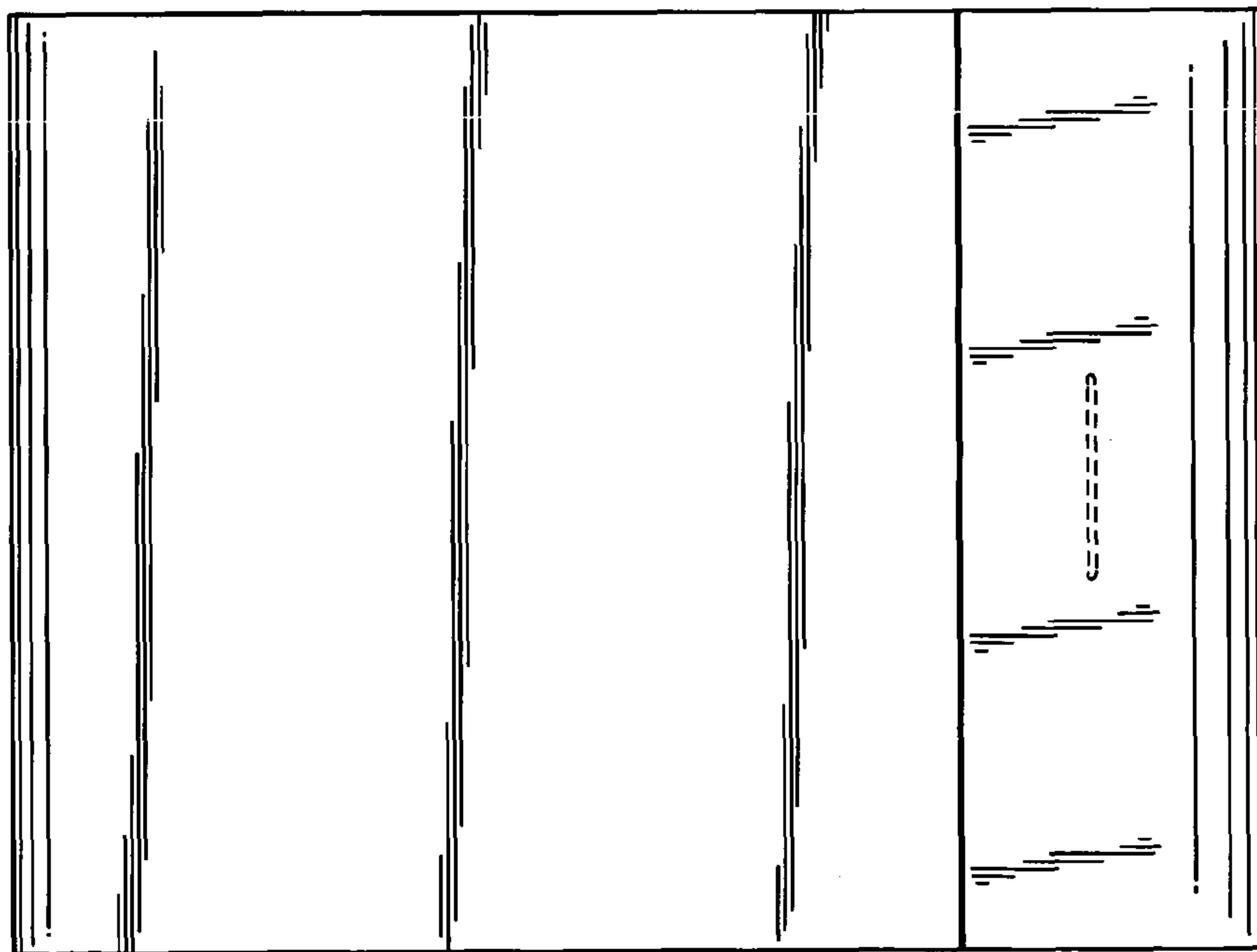


FIG. 5

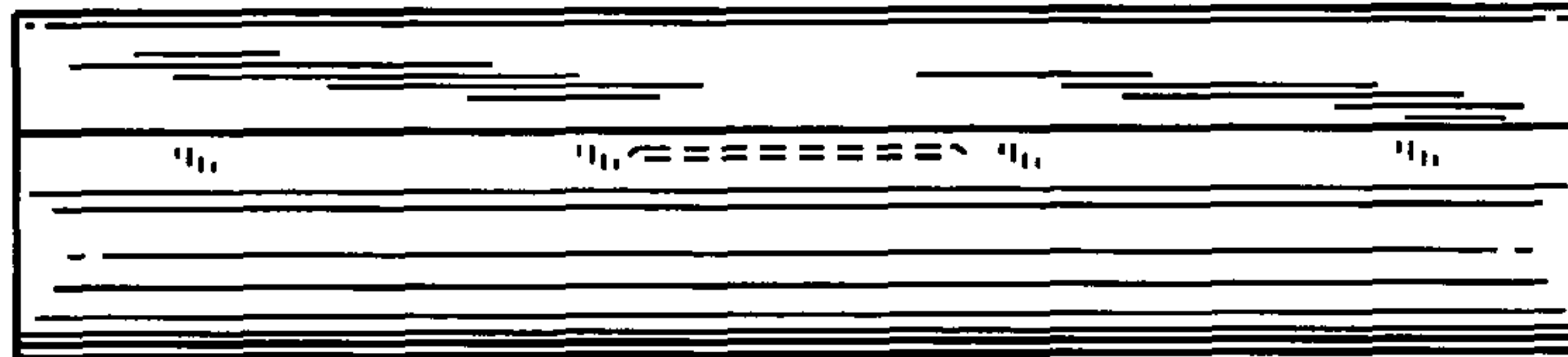


FIG. 7

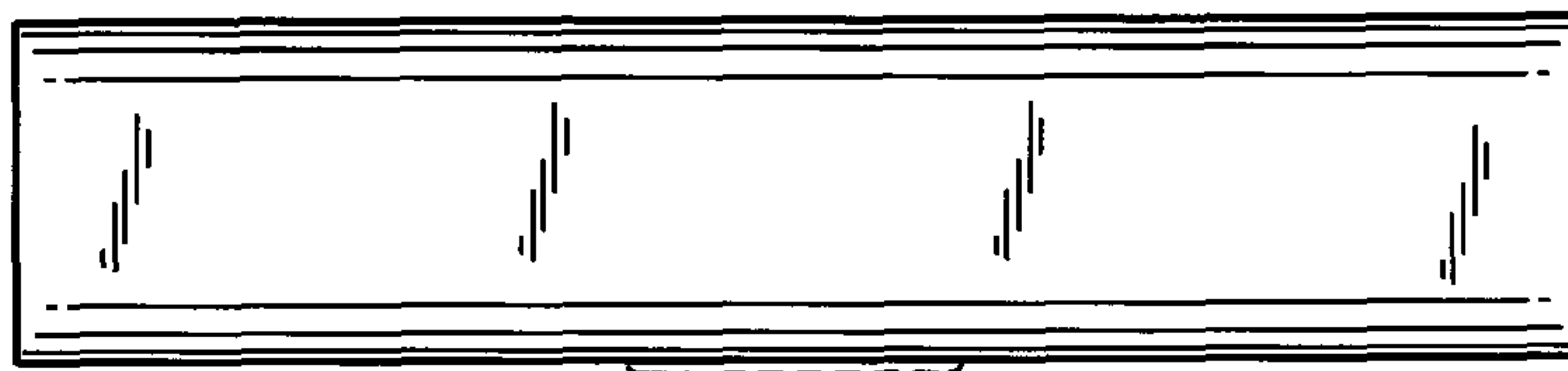


FIG. 8

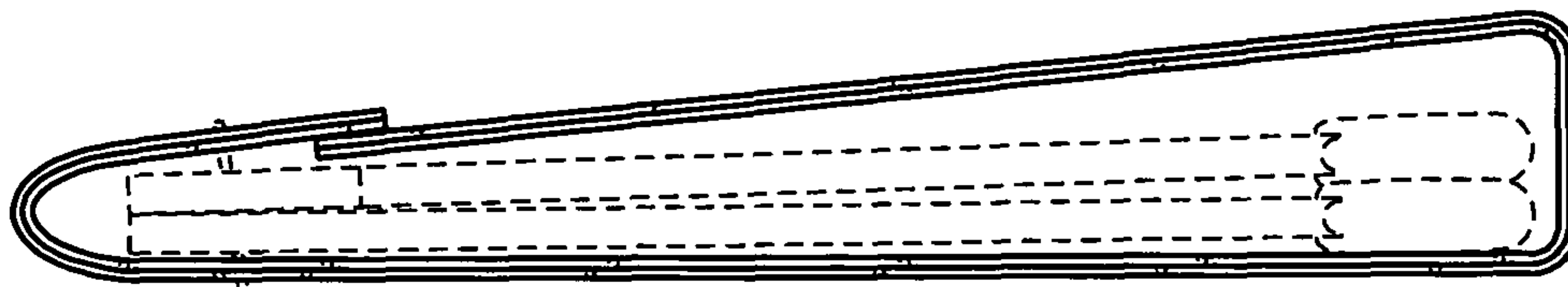


FIG. 9