



US00D699121S

(12) **United States Design Patent**
Sims et al.

(10) **Patent No.:** **US D699,121 S**

(45) **Date of Patent:** **** Feb. 11, 2014**

(54) **SHAVE PREPARATION PACKAGE**

D670,572 S * 11/2012 Bahrami et al. D9/697
D673,328 S * 12/2012 Arinsmier et al. D28/76
D676,333 S * 2/2013 Fracasso D9/697

(71) Applicant: **The Gillette Company**, Boston, MA
(US)

* cited by examiner

(72) Inventors: **Daniel Jerome Sims**, Brookline, MA
(US); **Andrew Anthony Markle**, New
York, NY (US); **Carl Andrew**
Gerhards, Astoria, NY (US)

Primary Examiner — Caron D Veynar

Assistant Examiner — Abraham Bahta

(74) *Attorney, Agent, or Firm* — Joanne N. Pappas; Kevin C.
Johnson; Steven W. Miller

(73) Assignee: **The Gillette Company**, Boston, MA
(US)

(57) **CLAIM**

The ornamental design for a shave preparation package, as
shown and described.

(**) Term: **14 Years**

DESCRIPTION

(21) Appl. No.: **29/454,729**

FIG. 1 is a perspective view of a design for a shave preparation
package of the present invention including a window showing
a blue-colored shave preparation in the package;

(22) Filed: **May 14, 2013**

FIG. 2 is a front view thereof;

(51) **LOC (10) Cl.** **09-03**

FIG. 3 is a back view thereof;

(52) **U.S. Cl.**

FIG. 4 is a left side view thereof;

USPC **D9/697**

FIG. 5 is a right side view thereof;

(58) **Field of Classification Search**

FIG. 6 is a top view thereof;

USPC D9/695-699, 435, 440, 521, 454, 544,
D9/711, 723-724, 499, 712, 449, 727-728,
D9/442, 447, 504; 222/92, 96, 107,
222/527-529, 215, 491, 206, 212-213,
222/251; 206/438, 822; 220/DIG. 7; D28/7,
D28/76, 82; D24/111, 119; 215/205, 321,
215/381, 382, 316; 141/114-115

FIG. 7 is a bottom view thereof;

FIG. 8 is a perspective view of a design for a shave preparation
package according to a second embodiment of the present
invention including a window showing a shave preparation in
the package;

See application file for complete search history.

FIG. 9 is a front view thereof;

FIG. 10 is a back view thereof;

FIG. 11 is a left side view thereof;

FIG. 12 is a right side view thereof;

FIG. 13 is a top view thereof; and,

FIG. 14 is a bottom view thereof.

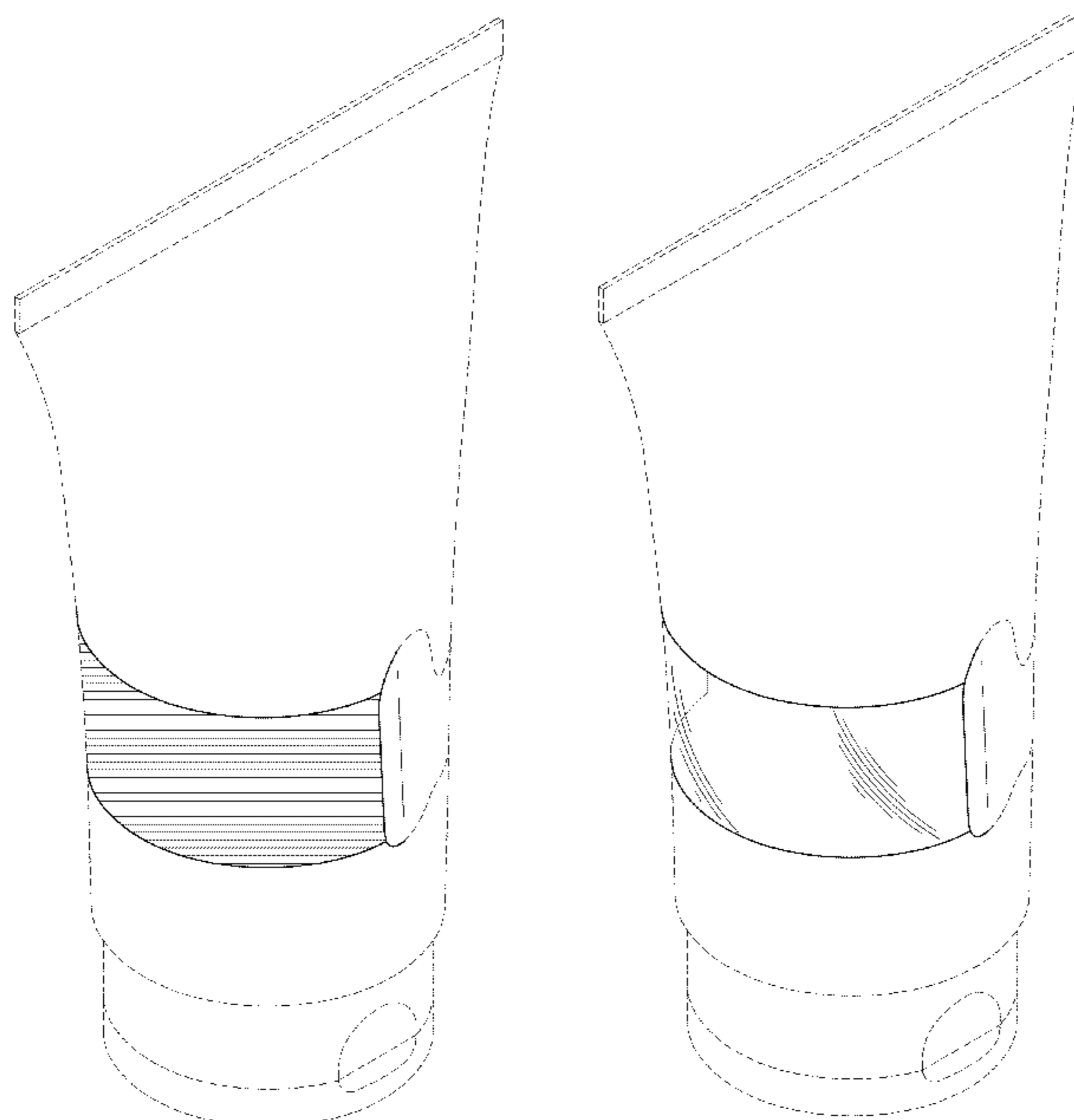
The dash broken lines are directed to the environment and are
for illustrative purposes only and form no part of the claimed
design.

(56) **References Cited**

U.S. PATENT DOCUMENTS

D547,672 S * 7/2007 Penfold et al. D9/697
D559,703 S * 1/2008 Egawa D9/697
D649,066 S * 11/2011 Arinsmier et al. D9/697
D664,862 S * 8/2012 Smith et al. D9/695

1 Claim, 10 Drawing Sheets



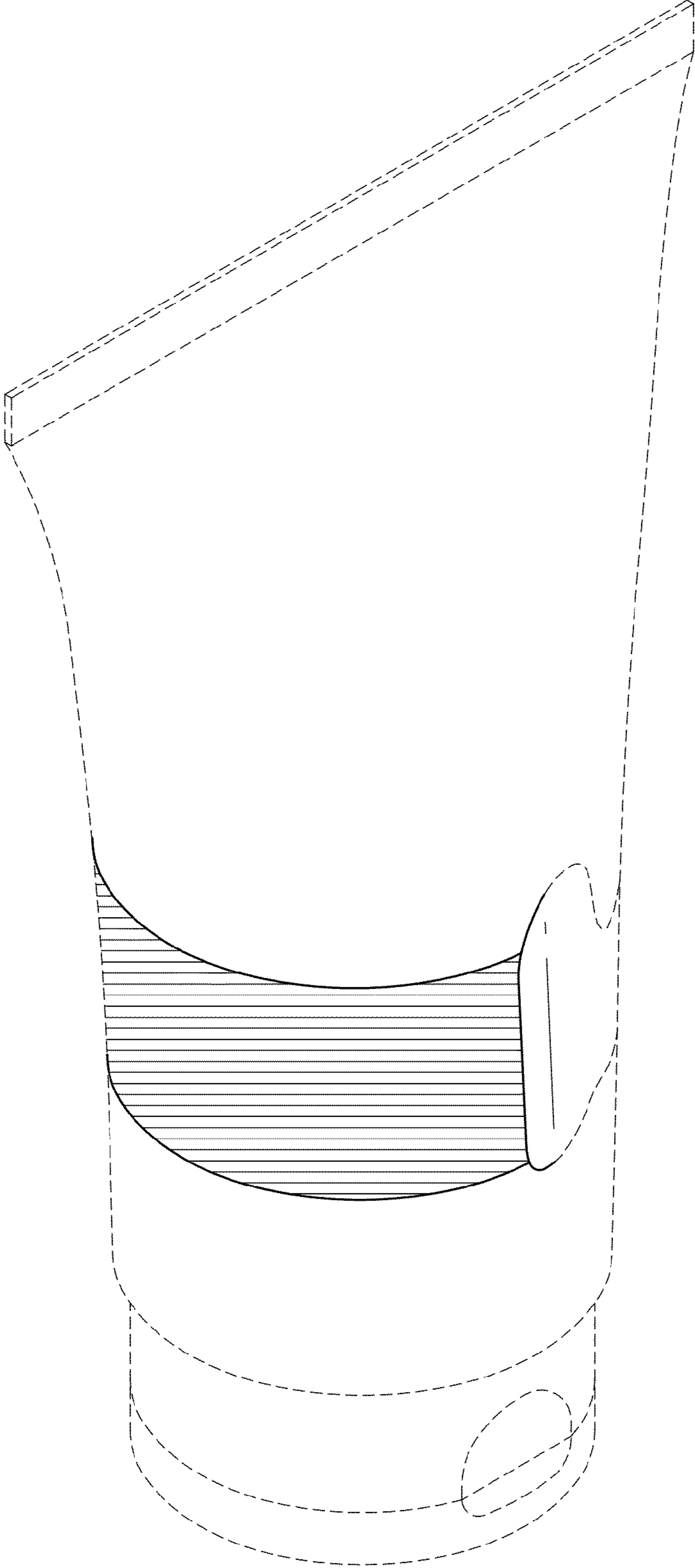


FIG. 1

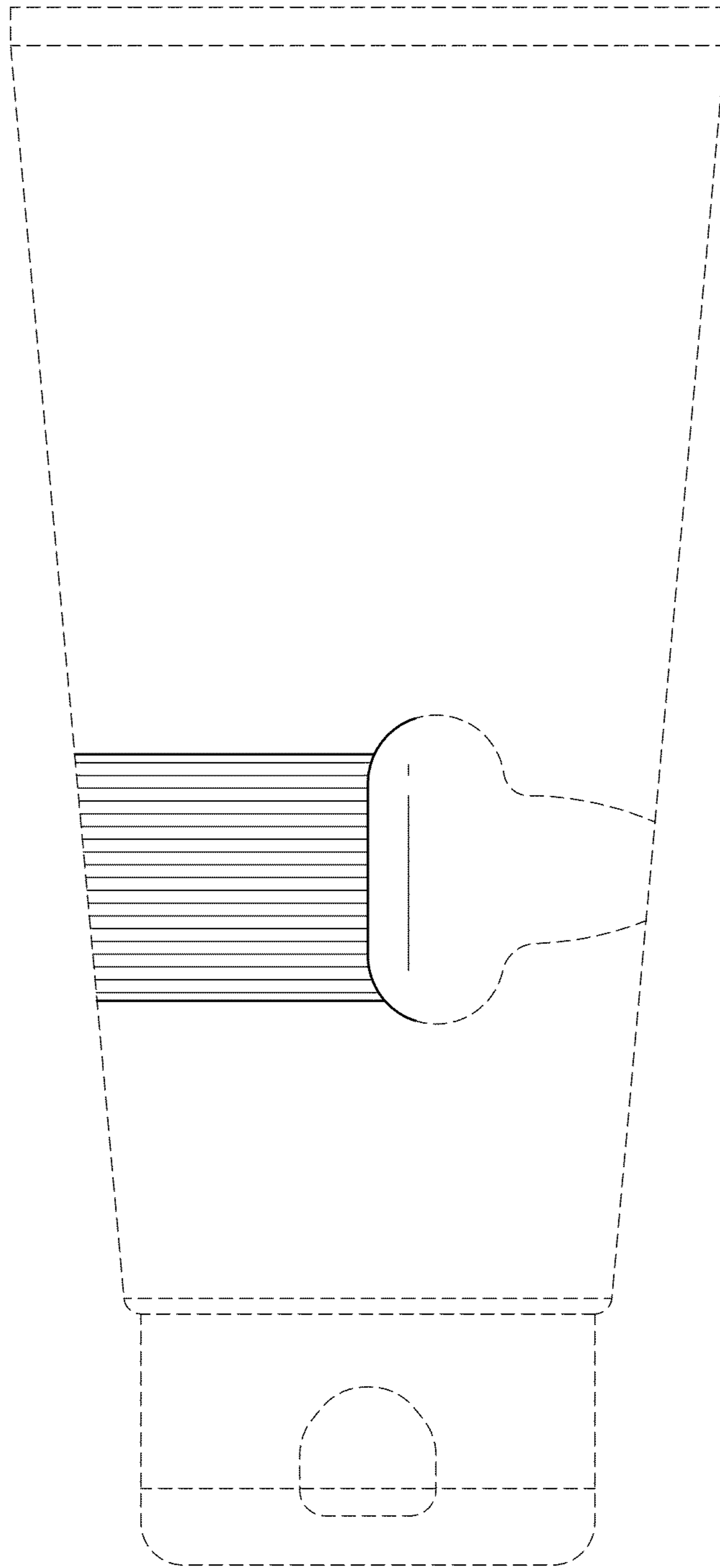


FIG. 2

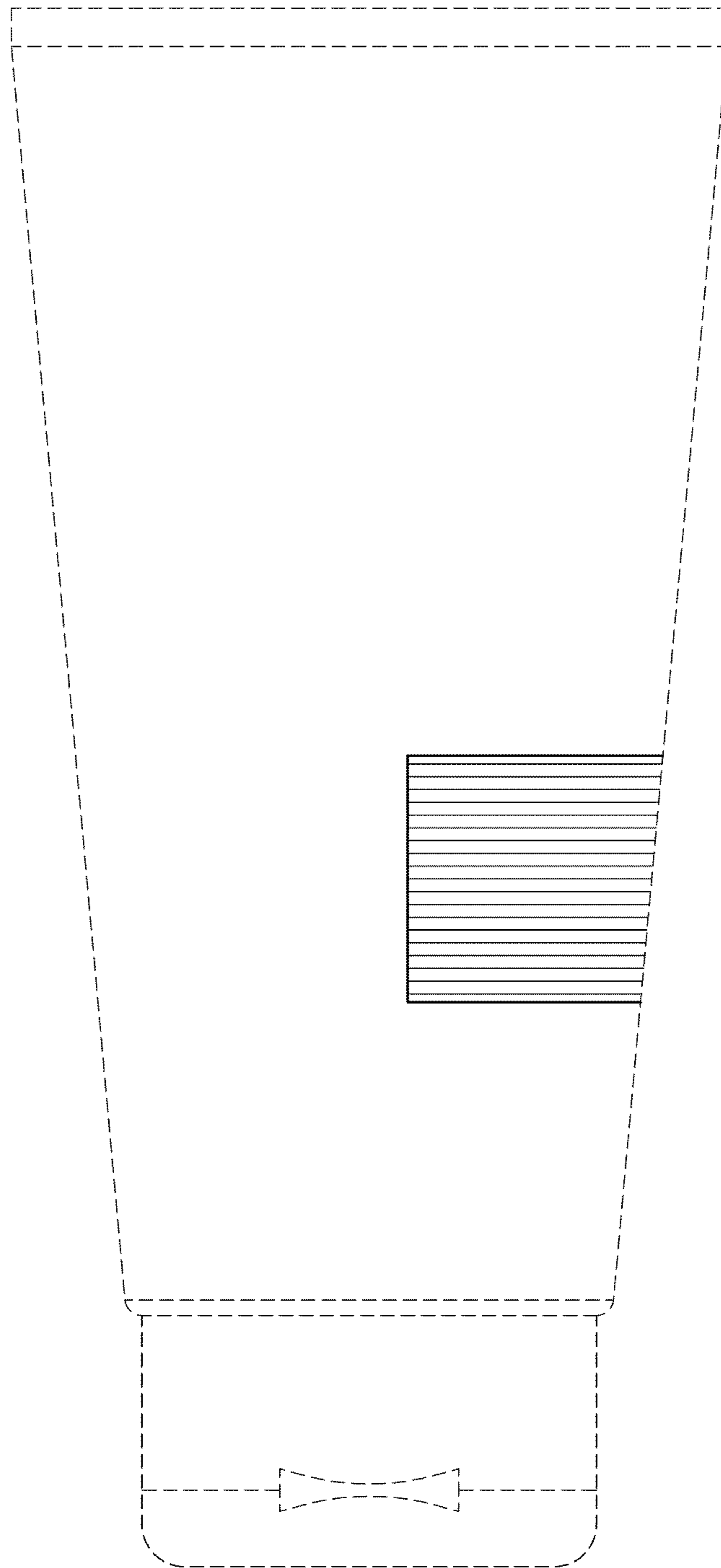


FIG. 3

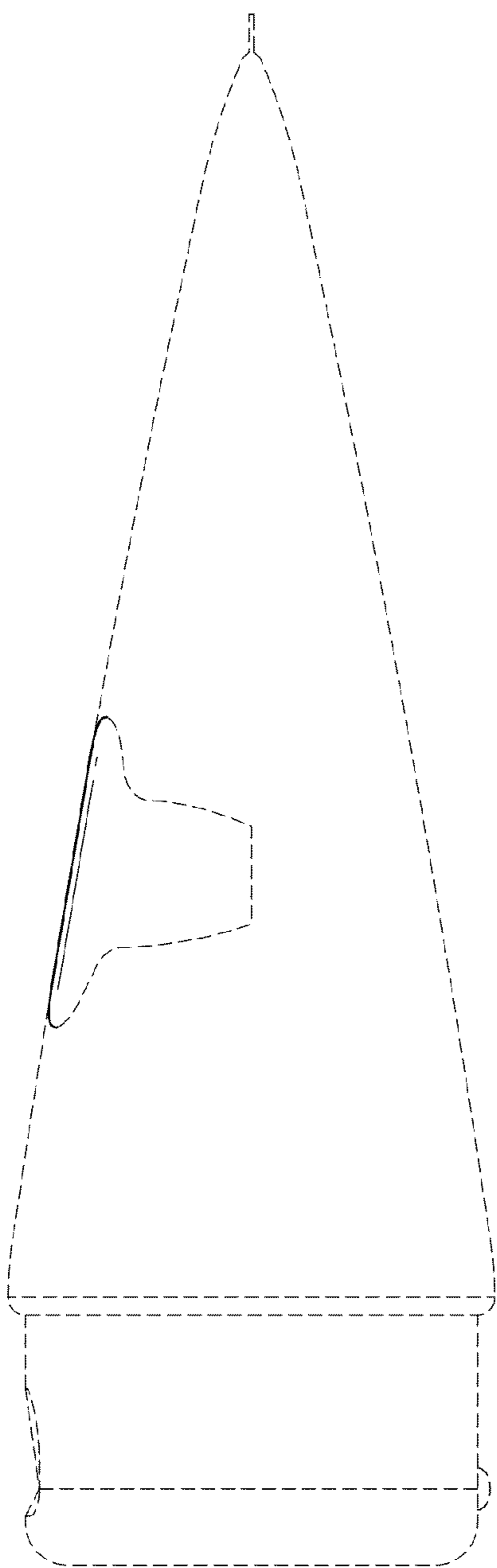


FIG. 4

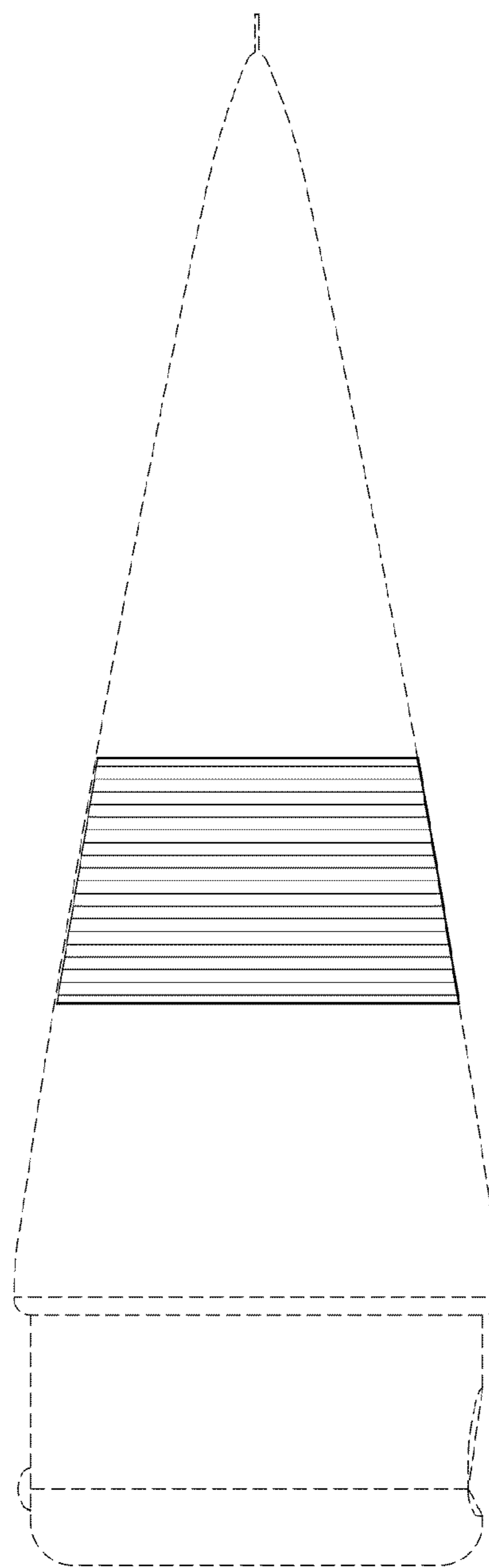


FIG. 5

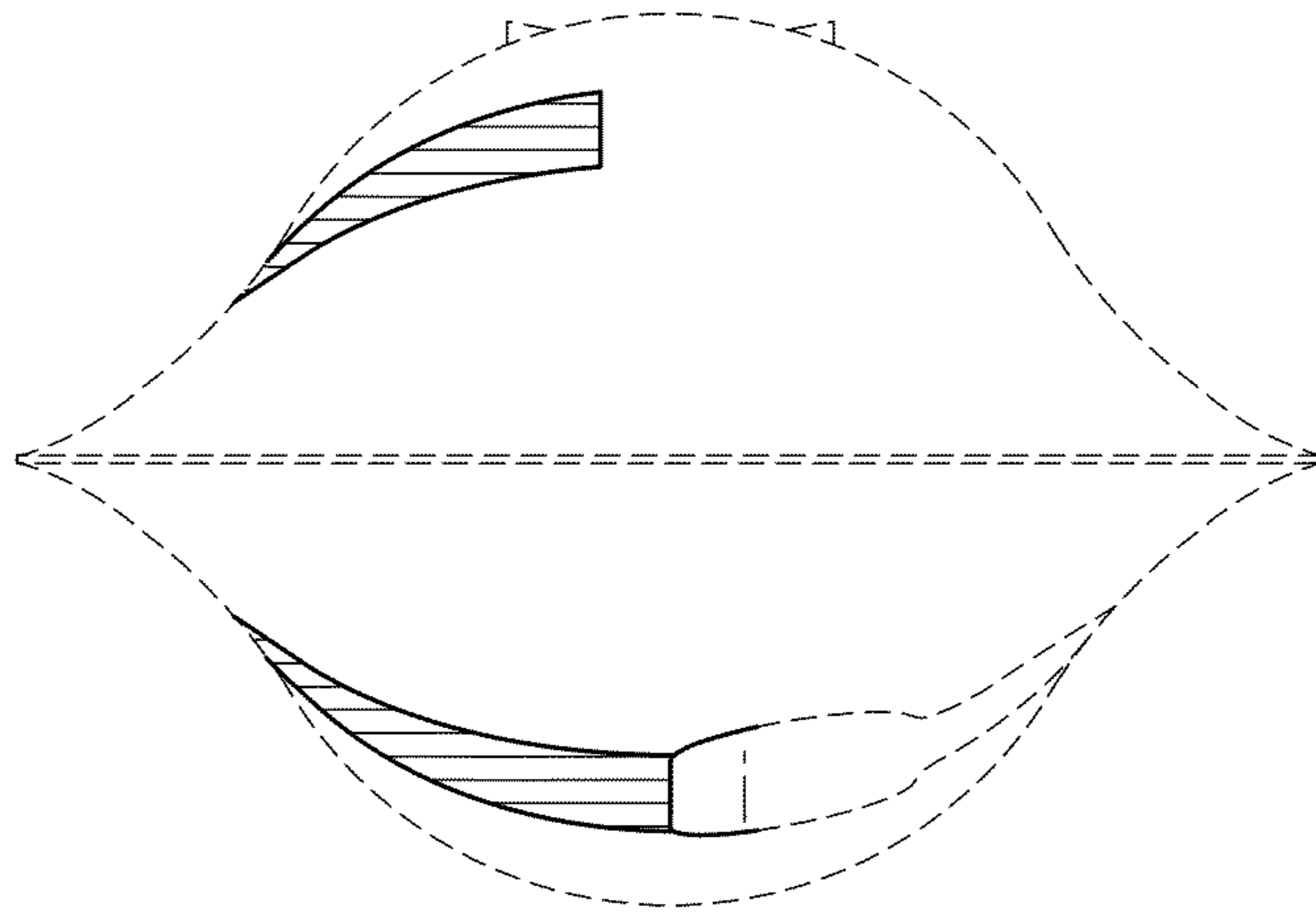


FIG. 6

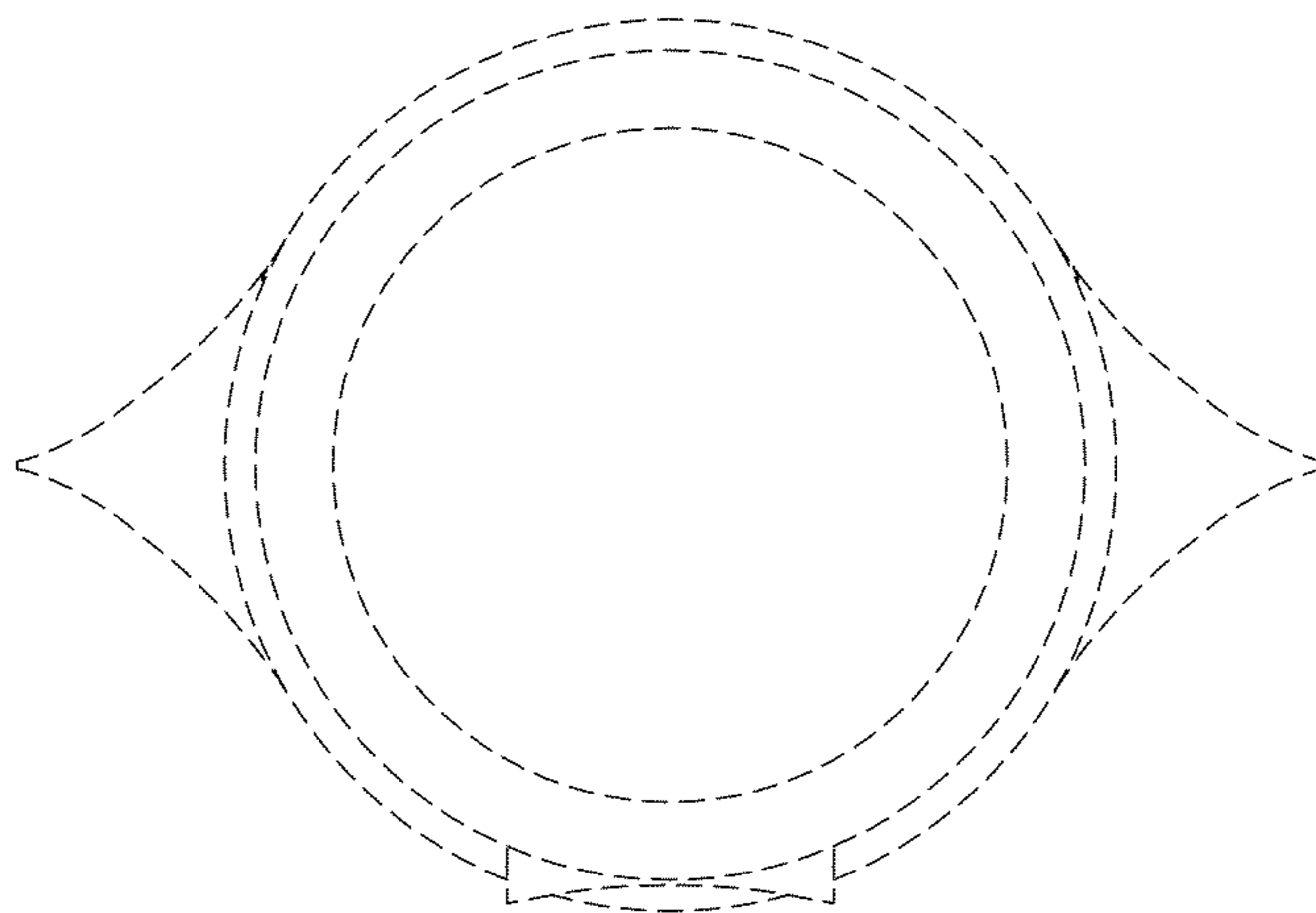


FIG. 7

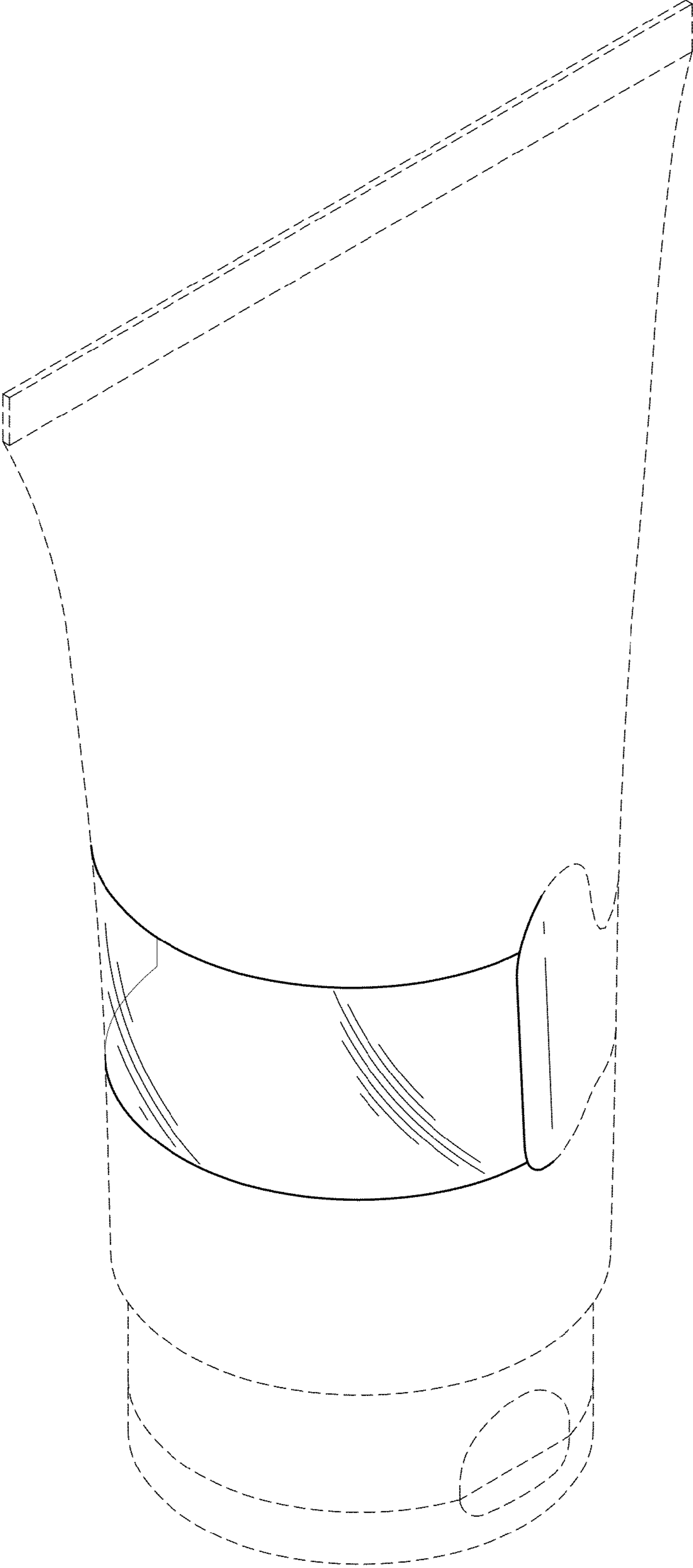


FIG. 8

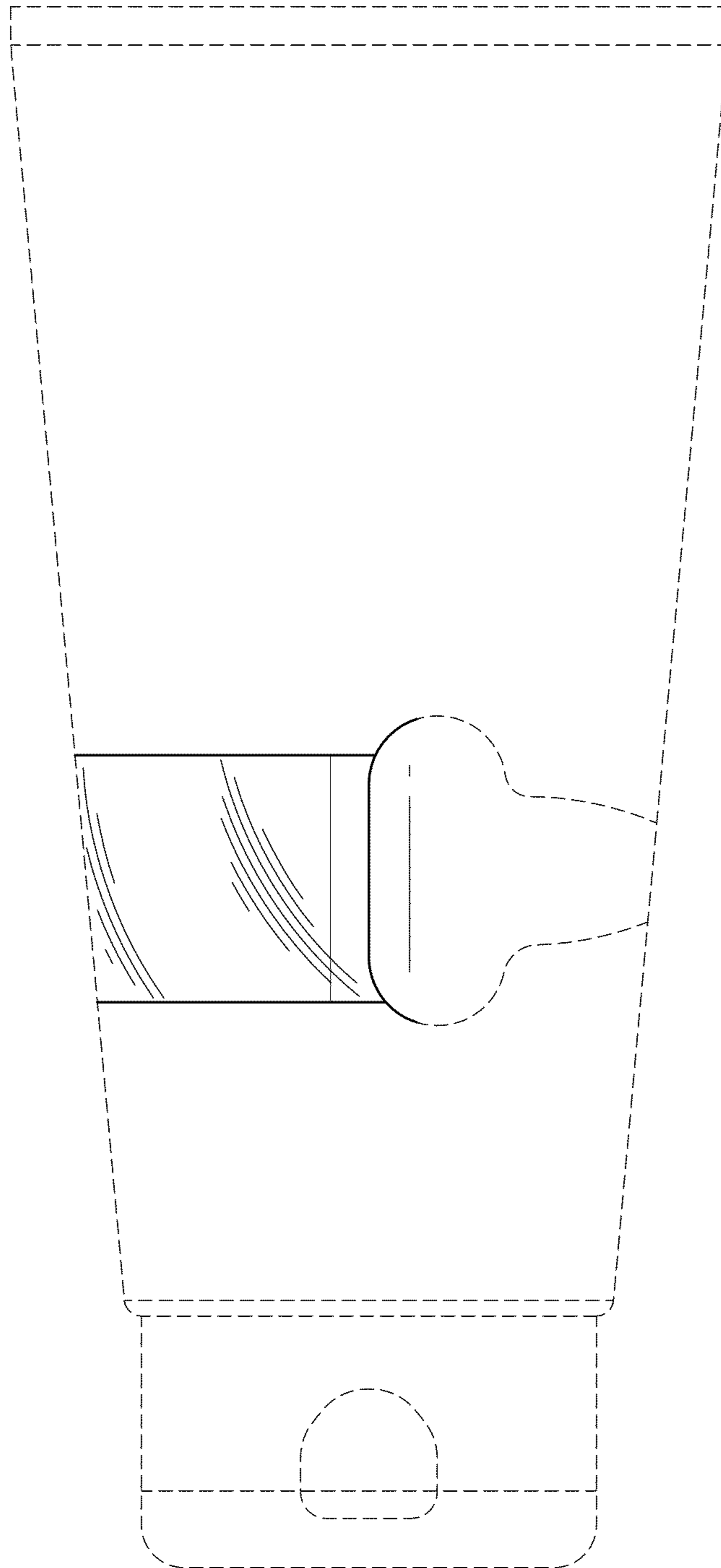


FIG. 9

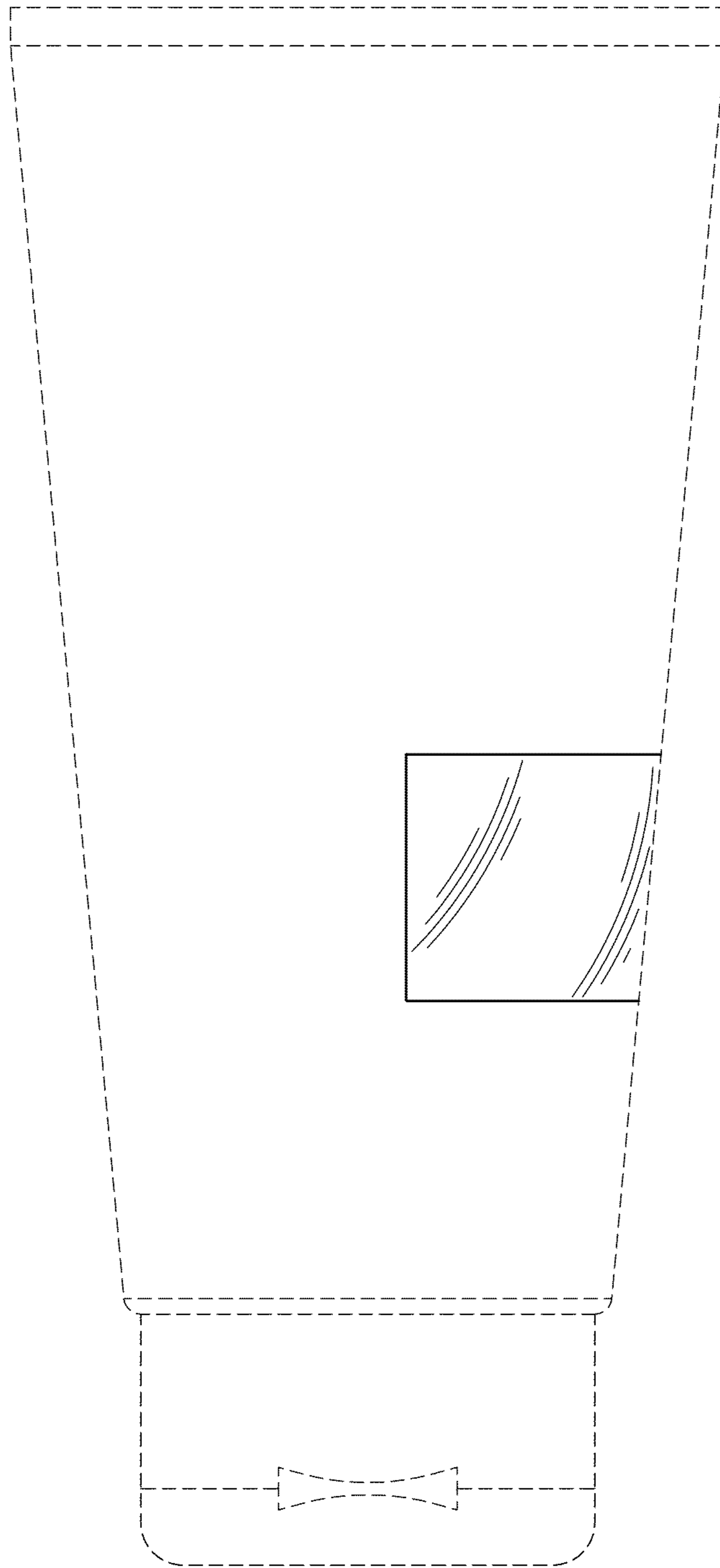


FIG. 10

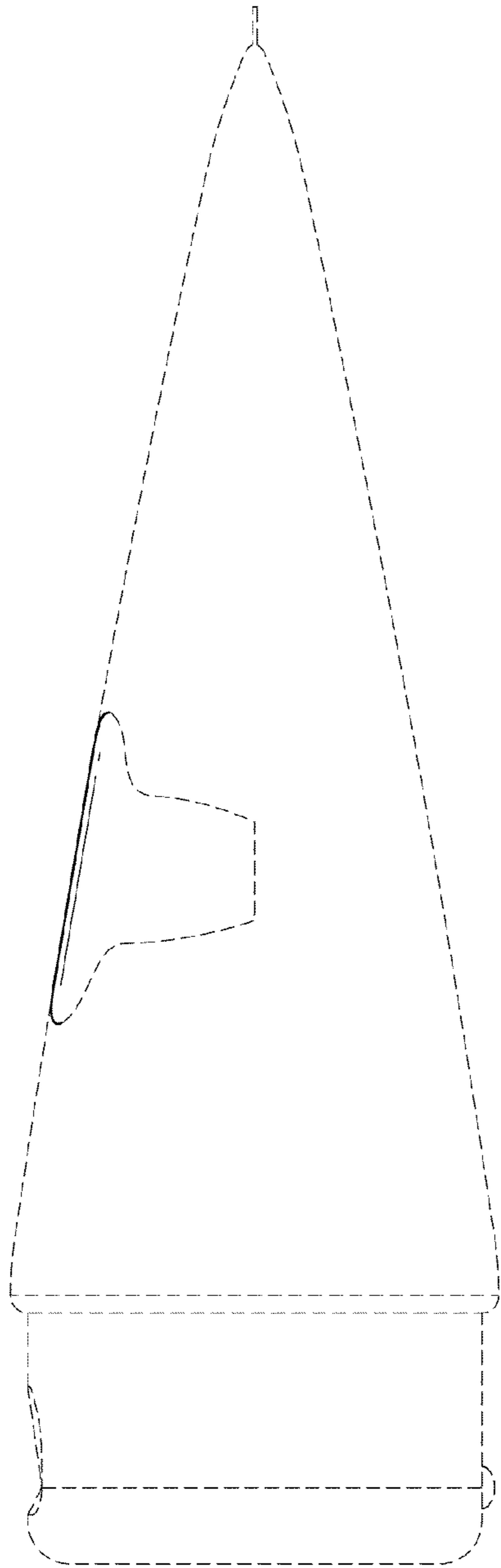


FIG. 11

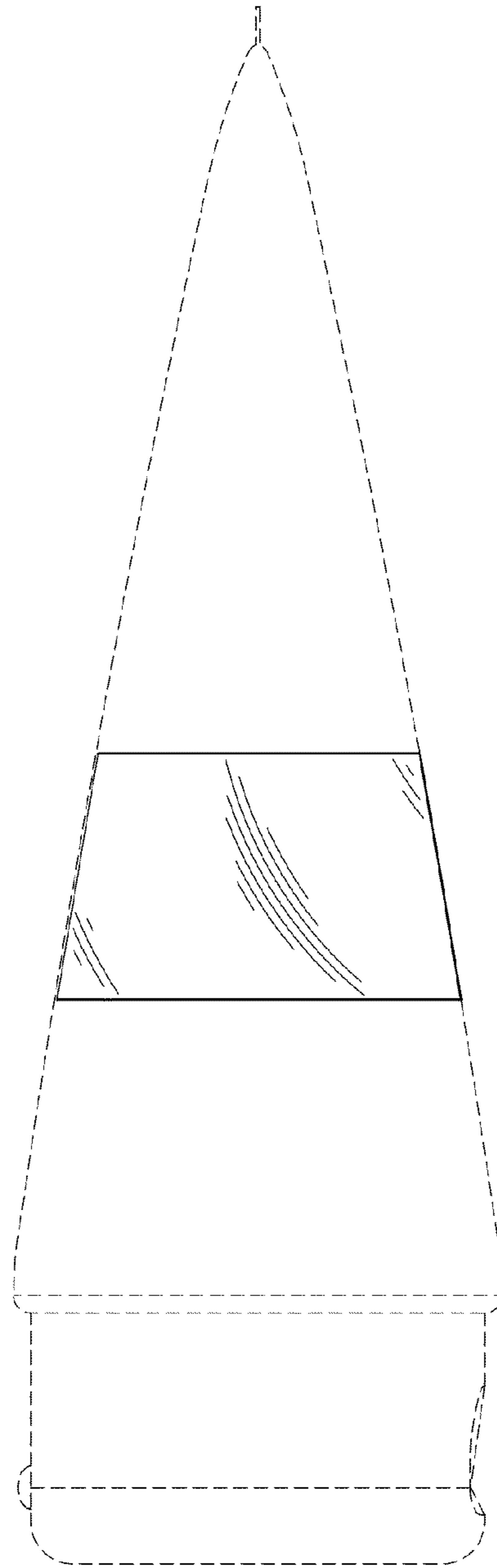


FIG. 12

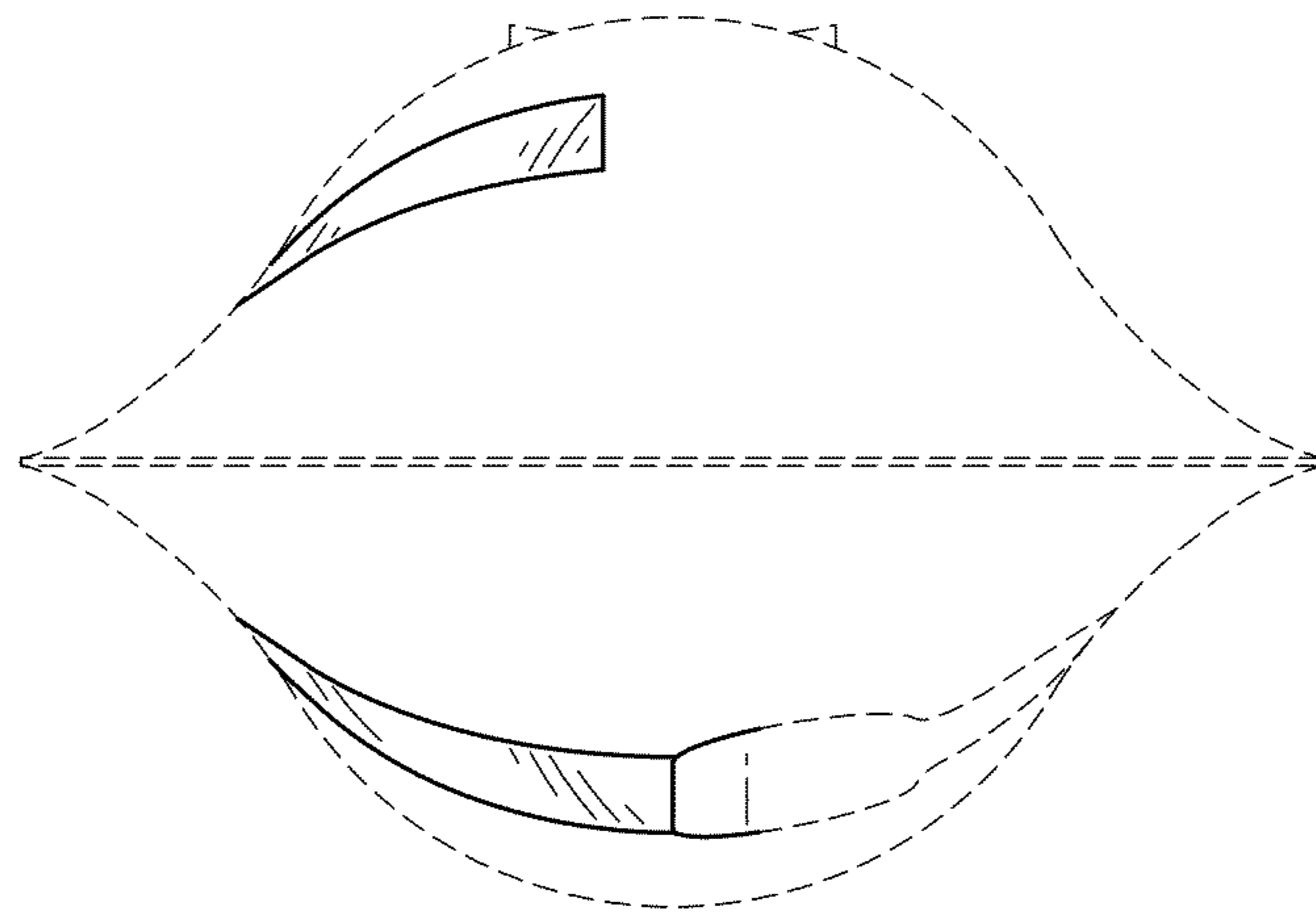


FIG. 13

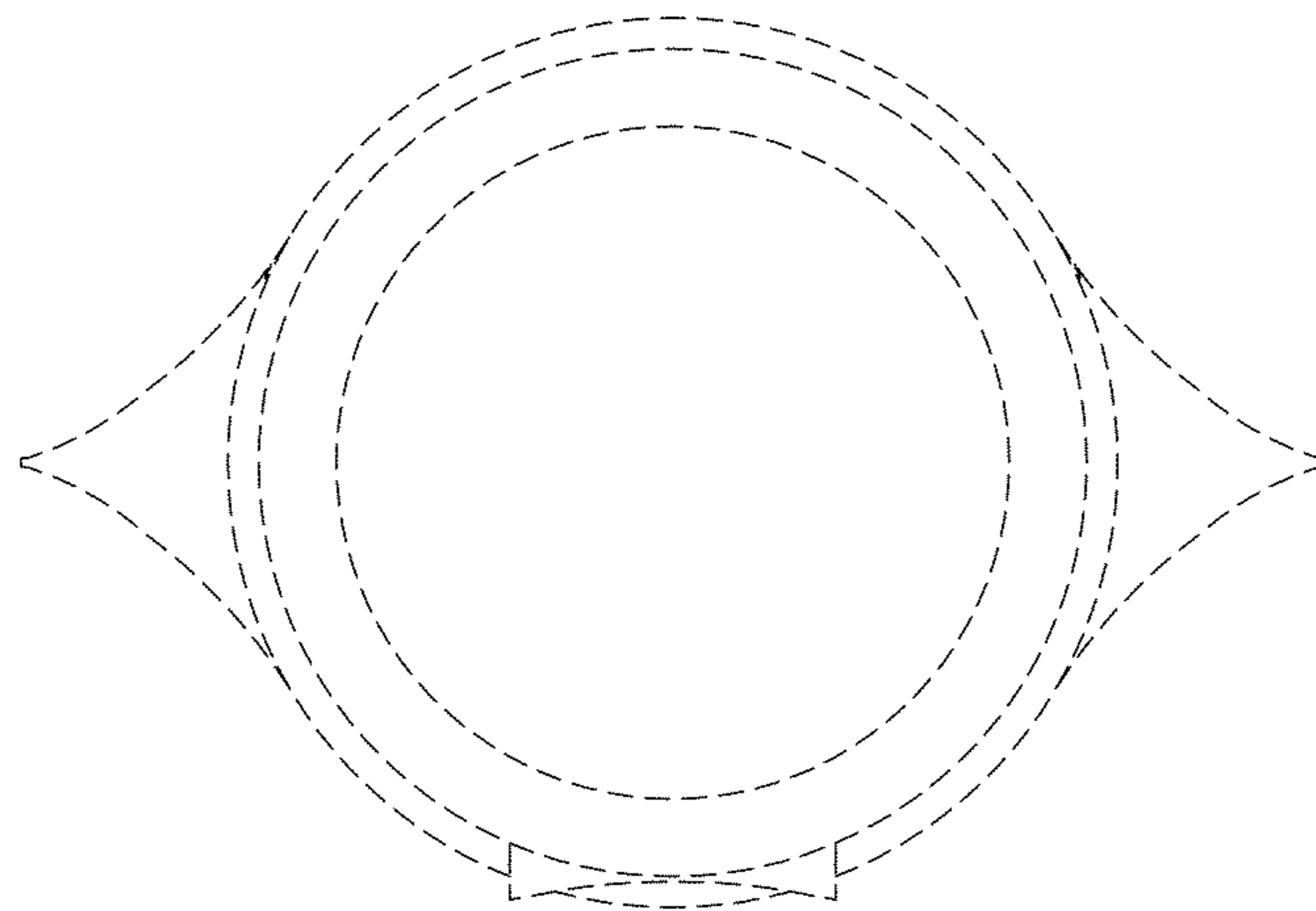


FIG. 14