



US00D699113S

(12) **United States Design Patent**
Haner et al.

(10) **Patent No.:** **US D699,113 S**
(45) **Date of Patent:** **** Feb. 11, 2014**

- (54) **BOTTLE**
- (71) Applicant: **Krones AG**, Neutraubling (DE)
- (72) Inventors: **Arno Haner**, Wiesent (DE); **Thomas Ringl**, Ebermannsdorf (DE); **Gerald Huettner**, Vilseck (DE)
- (73) Assignee: **Krones AG**, Neutraubling (DE)
- (**) Term: **14 Years**
- (21) Appl. No.: **29/447,619**
- (22) Filed: **Mar. 5, 2013**

D595,581	S	*	7/2009	Brunson	D9/520
D596,040	S	*	7/2009	Lepoitevin	D9/552
D600,129	S	*	9/2009	Lepoitevin	D9/537
D607,733	S	*	1/2010	Lepoitevin	D9/538
D646,980	S	*	10/2011	Inoi	D9/552
D657,683	S	*	4/2012	Oommen et al.	D9/538
D658,065	S	*	4/2012	Oommen et al.	D9/538
8,469,214	B2	*	6/2013	Boukobza	215/375
2005/0127024	A1	*	6/2005	Darr	215/382

- (30) **Foreign Application Priority Data**
- Nov. 27, 2012 (DE) 102012111493.5
- Nov. 27, 2012 (EM) 002143255-0001
- Nov. 27, 2012 (EM) 002143255-0002
- (51) **LOC (10) Cl.** **09-01**
- (52) **U.S. Cl.**
- USPC **D9/516; D9/520; D9/552**
- (58) **Field of Classification Search**
- USPC D9/516, 520, 530, 537-540, 549-550, 552, 556-558, 575, 551; 215/370-371, 215/379, 381-382; 220/600, 604, 608-609, 220/660, 662-664, 669-673, 675
- See application file for complete search history.

FOREIGN PATENT DOCUMENTS

WO	DM/062318	*	11/2002
WO	DM/066512	*	2/2005
WO	DM/067629	*	3/2006
WO	DM/072670	*	7/2009

* cited by examiner

Primary Examiner — Ian Simmons

Assistant Examiner — Dana L Meyrow

(74) *Attorney, Agent, or Firm* — Onello & Mello, LLP

(57) **CLAIM**

We claim the ornamental design for a bottle, as shown and described.

DESCRIPTION

FIG. 1 is a perspective view of a bottle in accordance with the present invention;

FIG. 2 is another perspective view of the bottle of FIG. 1;

FIG. 3 is a plan view of the bottle of FIG. 1, shown at an enlarged scale;

FIG. 4 is a side elevation view of the bottle bottom of FIG. 1, shown at a reduced scale;

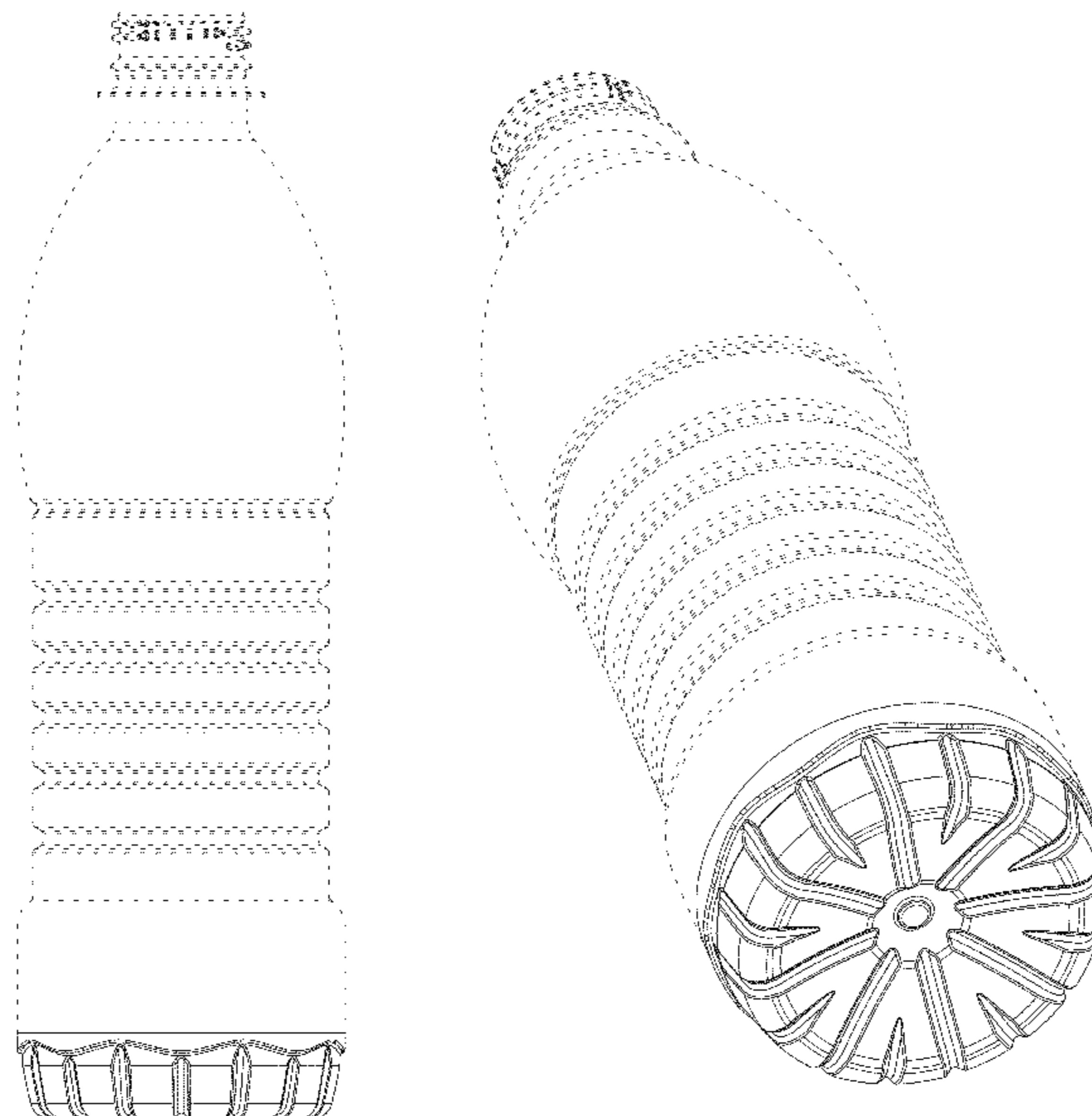
FIG. 5 is another perspective view thereof; and,

FIG. 6 is another perspective view of the bottle of FIG. 1.

In the drawings, the broken lines showing the remainder of the bottle illustrate features which form no part of the claimed design.

1 Claim, 6 Drawing Sheets

- (56) **References Cited**
- U.S. PATENT DOCUMENTS**
- 6,929,139 B2 * 8/2005 Darr 215/382
- 6,971,530 B2 * 12/2005 Darr 215/43
- D534,079 S * 12/2006 Livingston D9/516
- D556,580 S * 12/2007 Yamada D9/520
- D556,581 S * 12/2007 Yamada D9/520
- D572,143 S * 7/2008 Laupie D9/620
- D576,497 S * 9/2008 Ozer D9/556



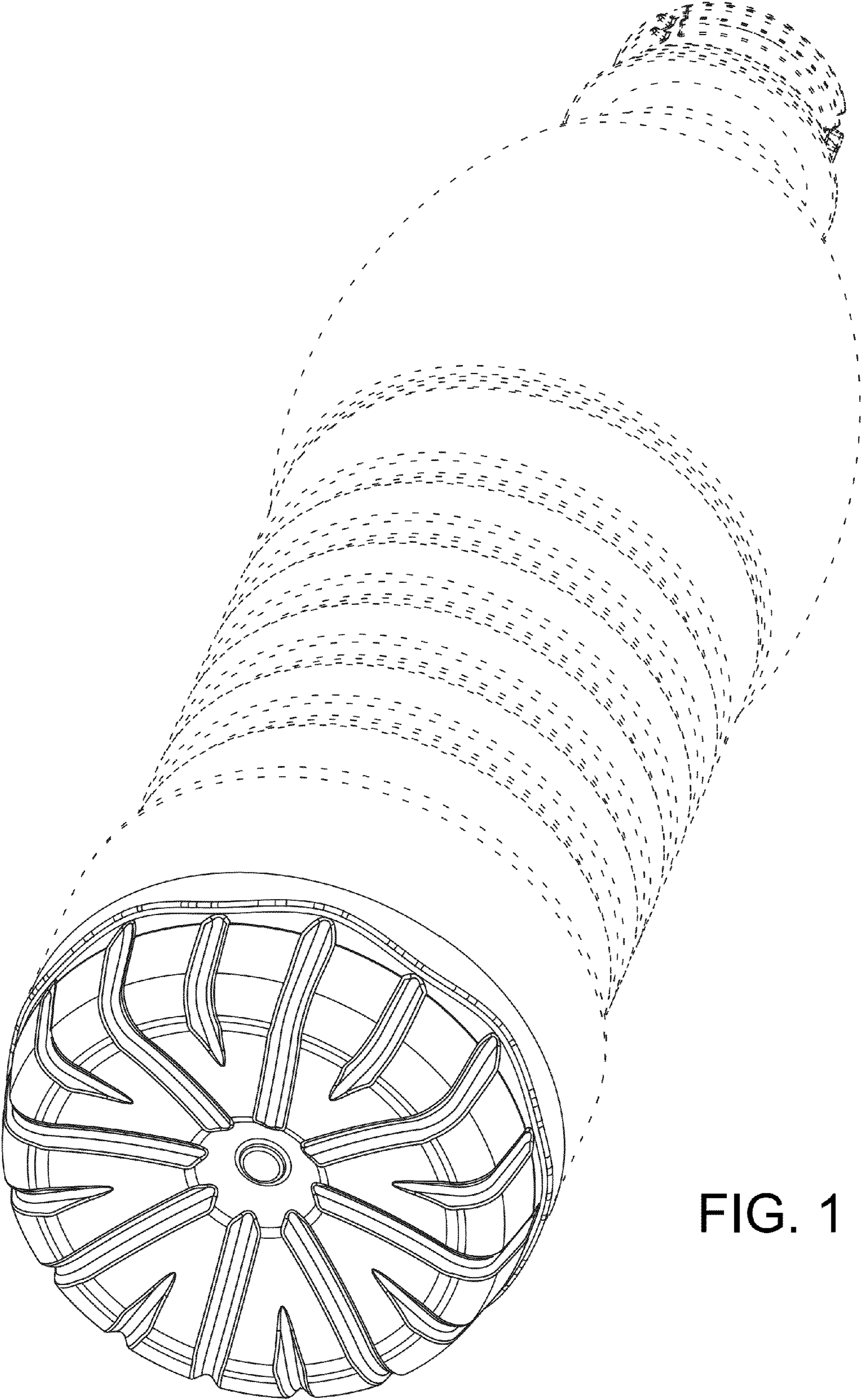


FIG. 1

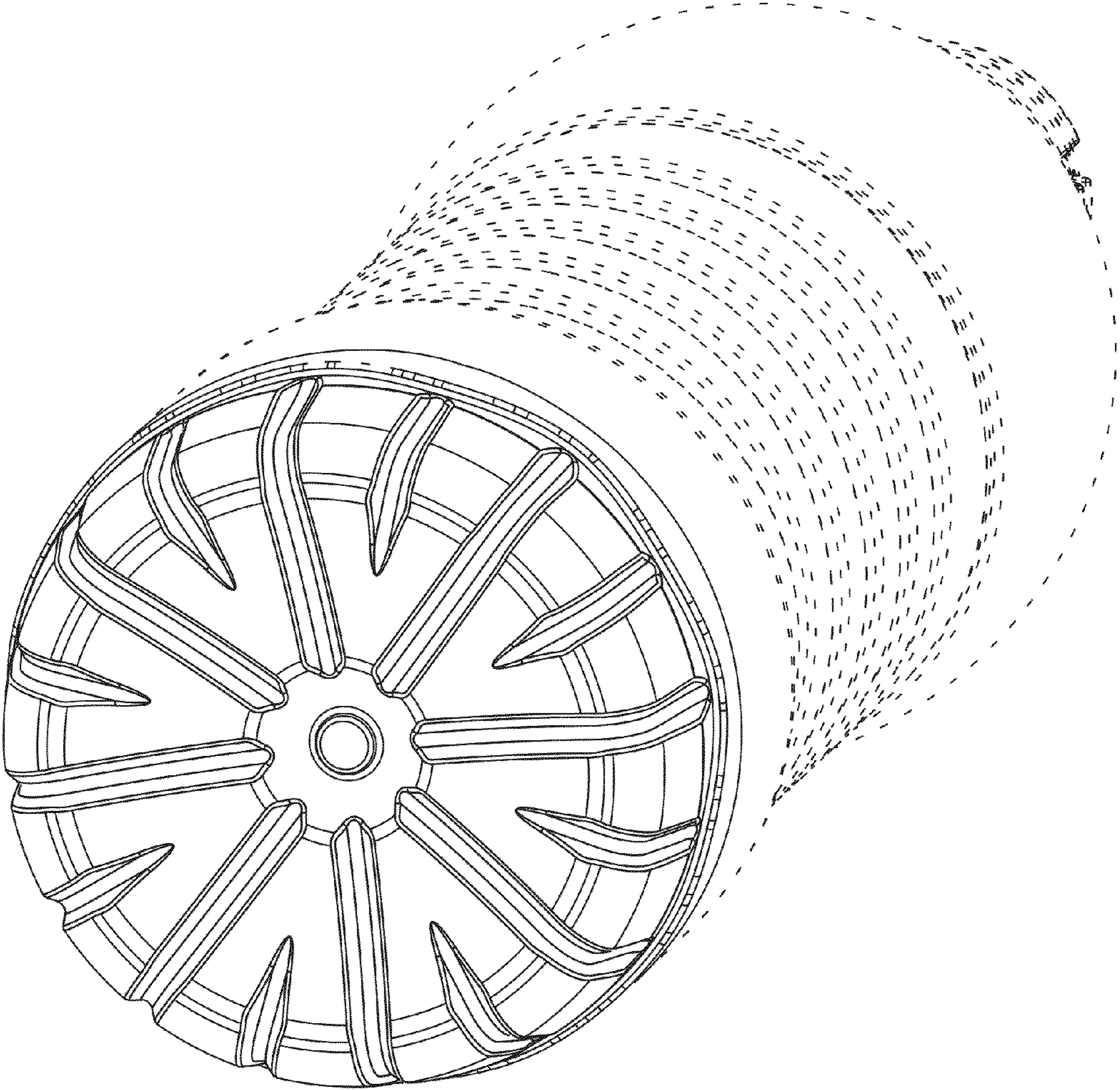


FIG. 2

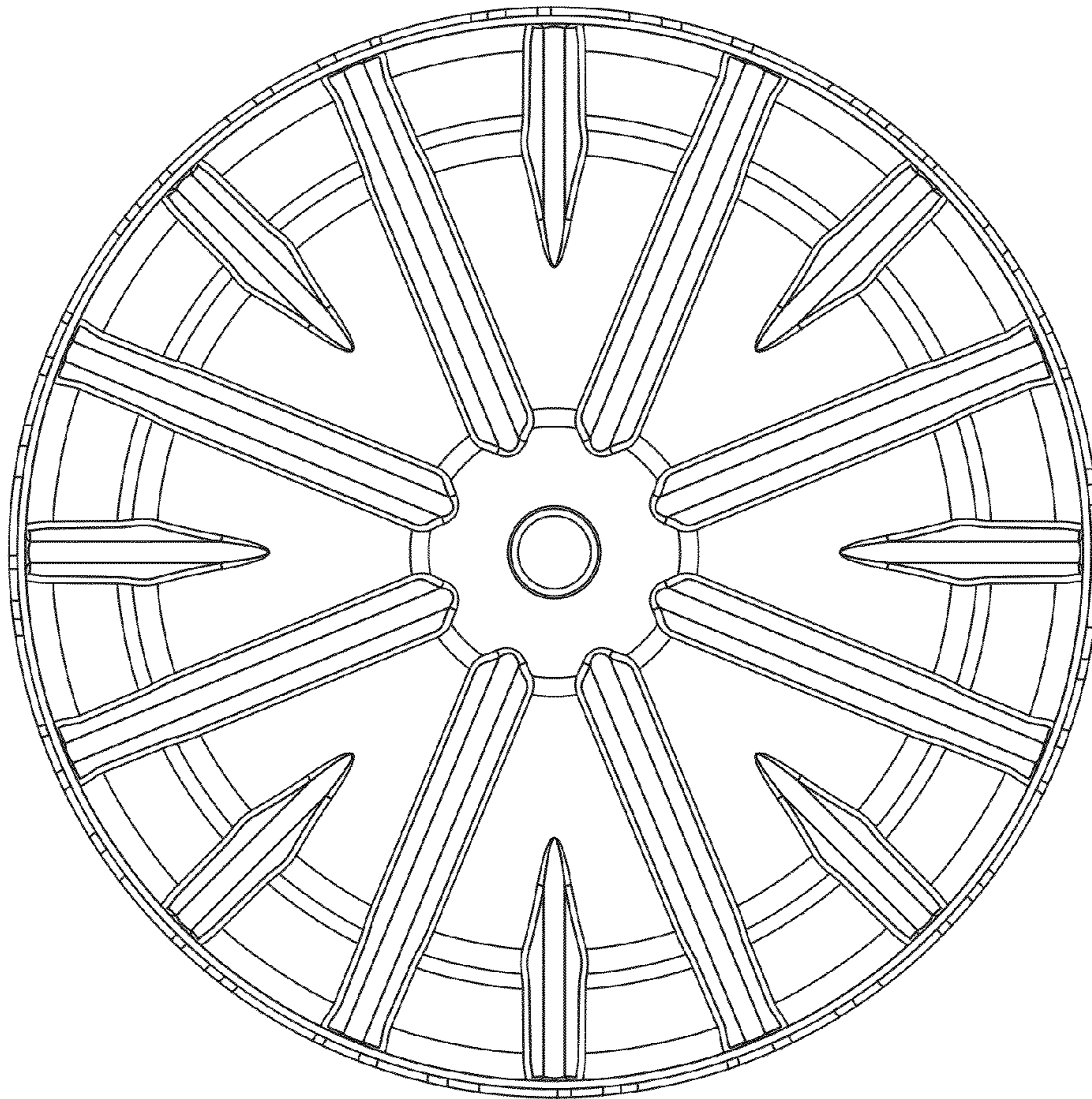


FIG. 3

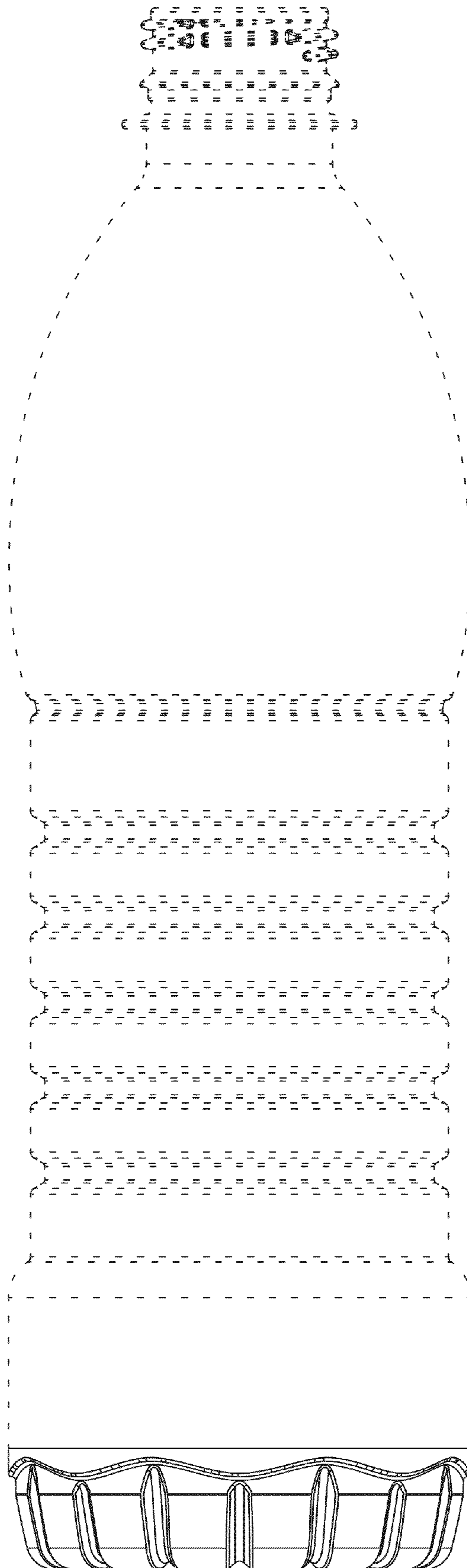


FIG. 4

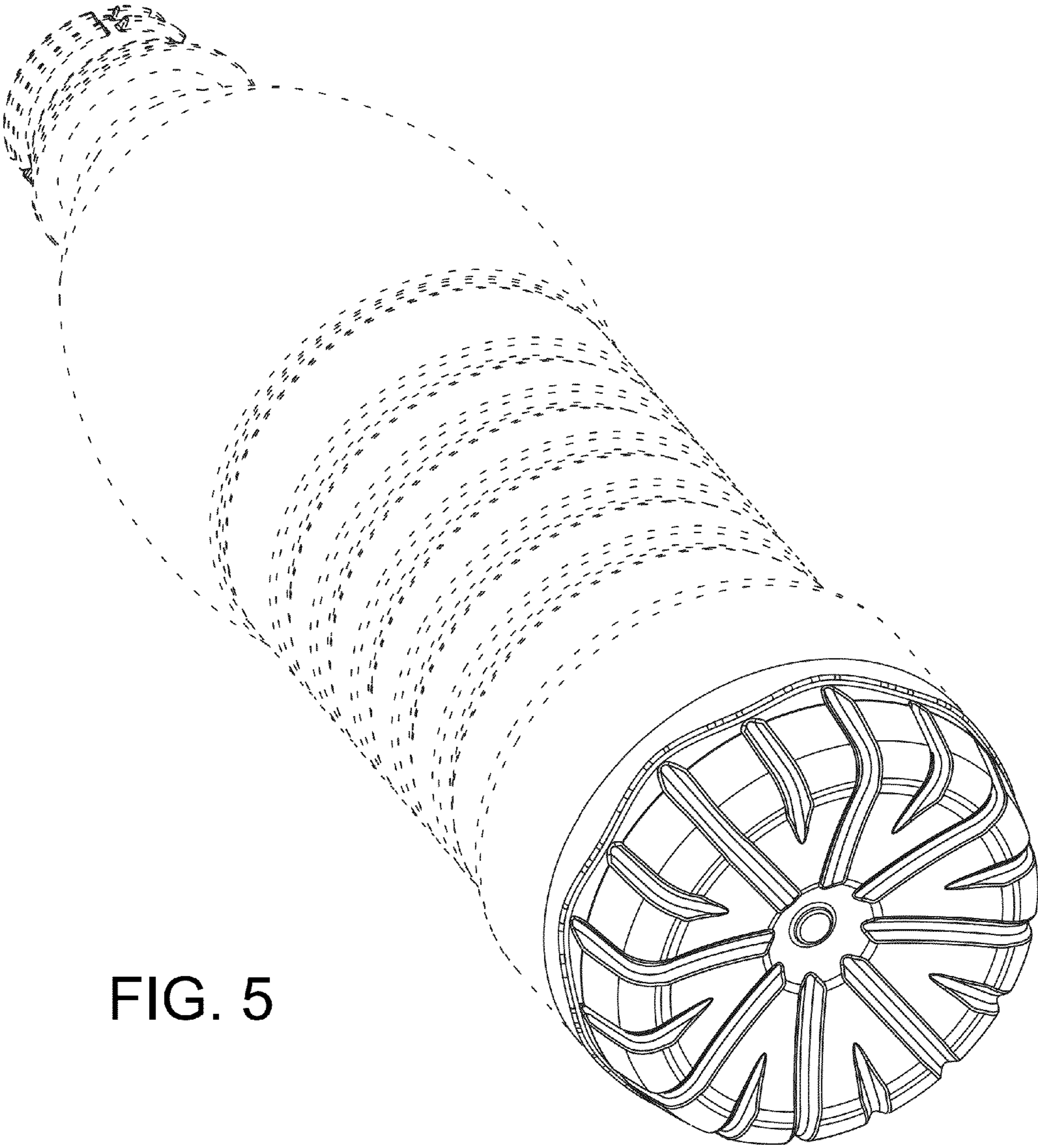


FIG. 5

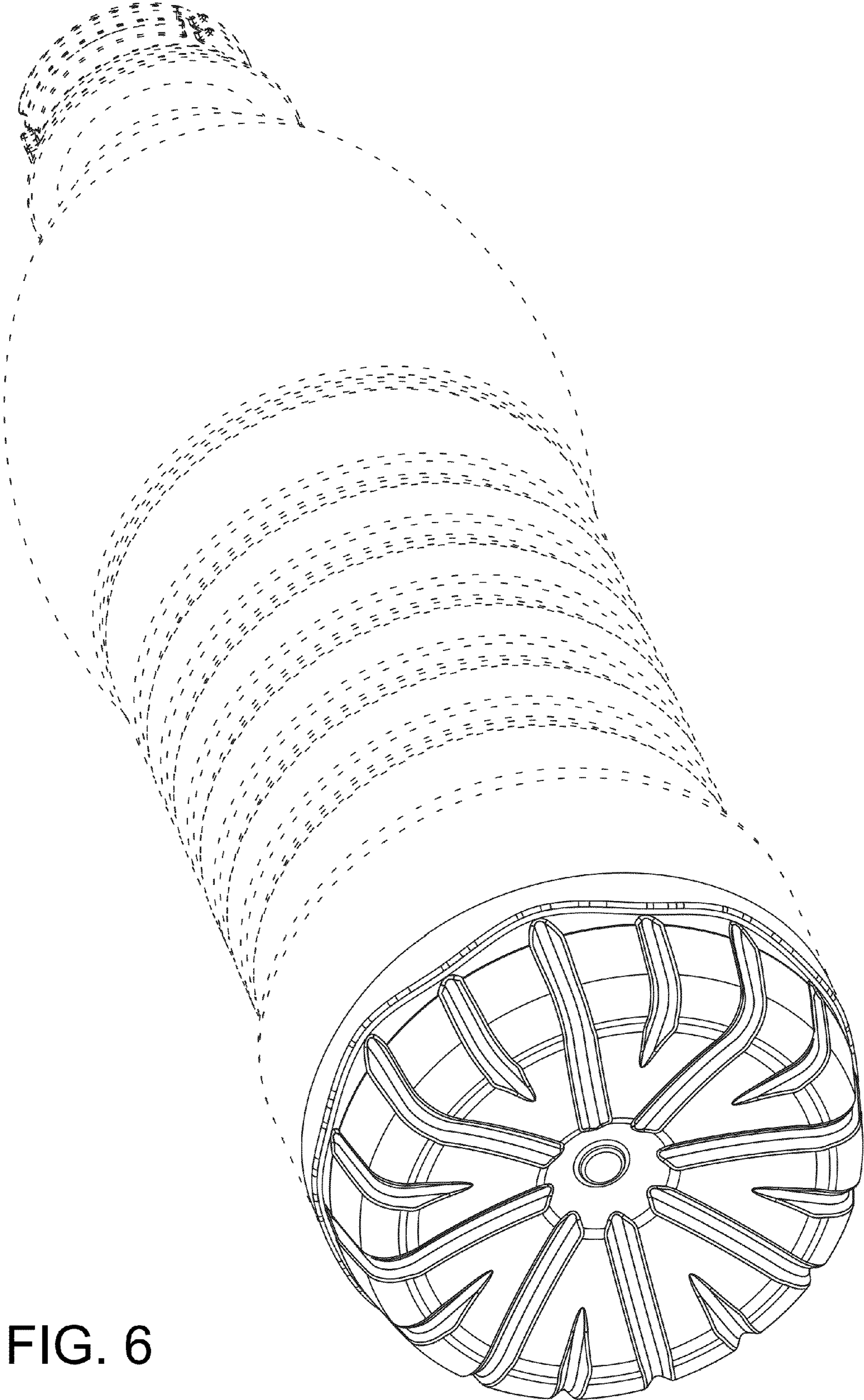


FIG. 6