



US00D699107S

(12) **United States Design Patent**
Streich et al.

(10) **Patent No.:** **US D699,107 S**
(45) **Date of Patent:** **** Feb. 11, 2014**

- (54) **MERCHANDISE DISPLAY CARD**
- (71) Applicant: **Target Brands, Inc.**, Minneapolis, MN (US)
- (72) Inventors: **Jacob Streich**, St. Louis Park, MN (US);
Paul C. Klosterman, Minneapolis, MN (US); **Timothy Michael Magner**,
Minneapolis, MN (US)
- (73) Assignee: **Target Brands, Inc.**, Minneapolis, MN (US)
- (**) Term: **14 Years**
- (21) Appl. No.: **29/447,706**
- (22) Filed: **Mar. 6, 2013**
- (51) **LOC (10) Cl.** **09-03**
- (52) **U.S. Cl.**
USPC **D9/457**
- (58) **Field of Classification Search**
USPC D9/457, 415, 624, 517, 501, 500, 447,
D9/446, 443, 435, 434, 433, 432, 425, 424,
D9/418, 414; D7/392; D3/201; D20/22;
40/124.06; 53/298; 206/246, 277, 317,
206/327, 349, 363, 379, 382, 423, 461, 476,
206/487, 485, 490, 703, 705, 780;
211/69.9; 224/249; 229/313, 225, 222,
229/212, 209, 208, 149; D8/356, 373;
D6/534, 552, 554

See application file for complete search history.

(56) **References Cited**

U.S. PATENT DOCUMENTS

570,408 A * 10/1896 Jones 206/476

(Continued)

OTHER PUBLICATIONS

Bambu Baby Utensils (Utensil Packaging). The Find blog [online] p. 13 of 17. Posted Nov. 1, 2009 [retrieved on Oct. 23, 2013]. Retrieved from Internet: <URL <http://blog.thefind.com/2009/11/page/14/>>.*

(Continued)

Primary Examiner — Jeffrey D Asch
Assistant Examiner — Marie Fast Horse
(74) *Attorney, Agent, or Firm* — Griffiths & Seaton PLLC;
JoAnn M. Seaton

(57) **CLAIM**

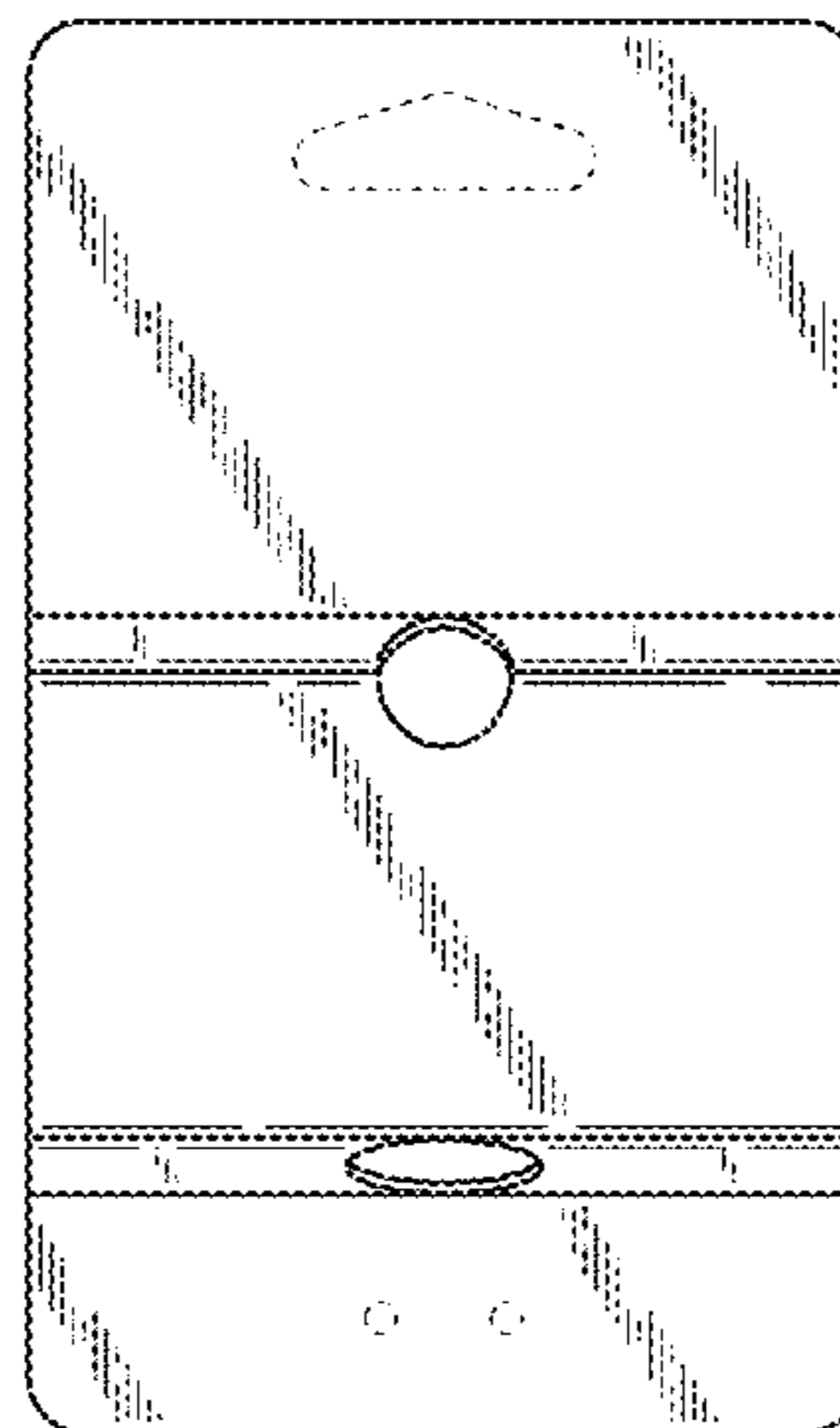
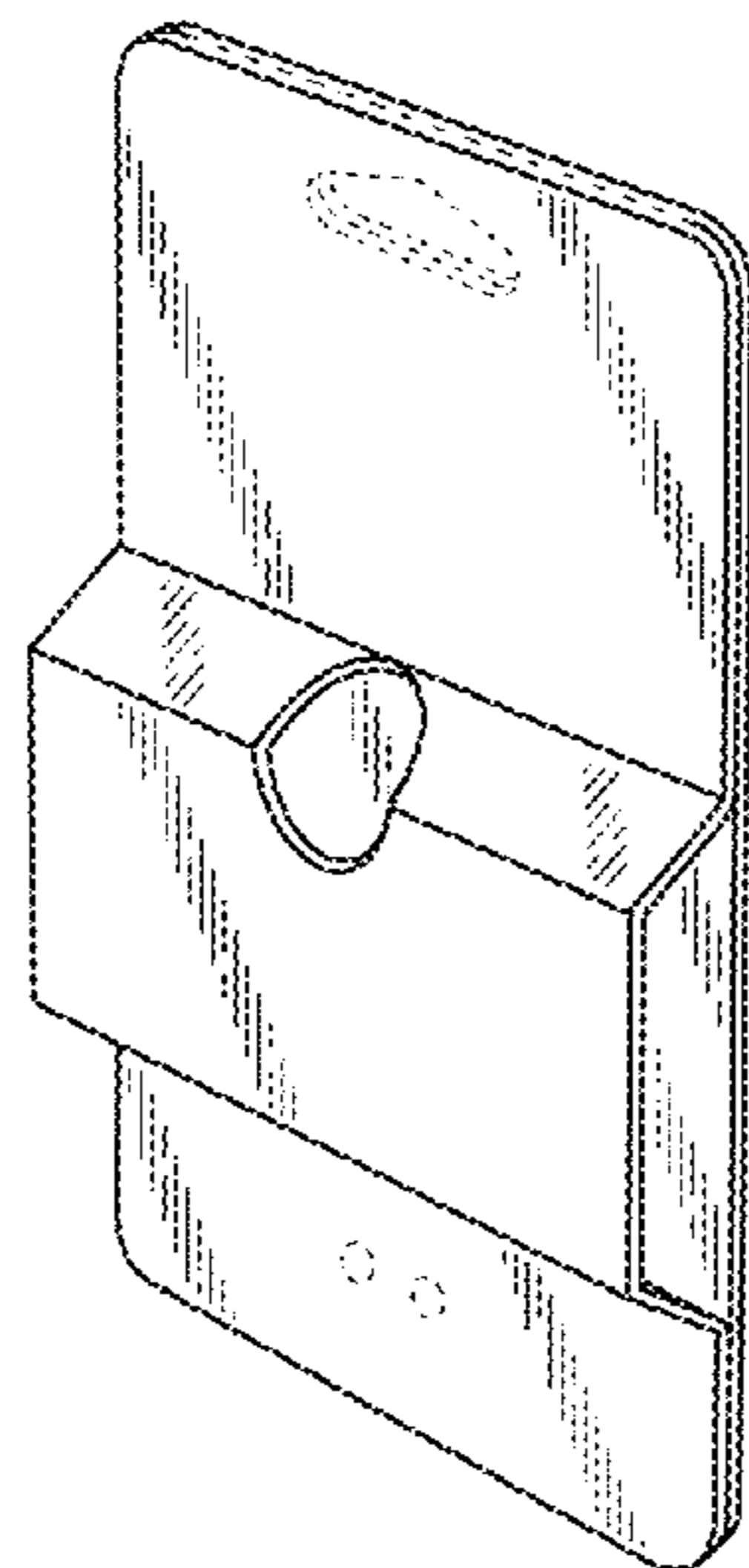
The ornamental design for a merchandise display card, as shown and described.

DESCRIPTION

FIG. 1 is a front, perspective view of a merchandise display card showing our new design;
 FIG. 2 is a front view thereof;
 FIG. 3 is a rear view thereof;
 FIG. 4 is a right side view thereof, the left side view being a mirror image of the right side view;
 FIG. 5 is a top view thereof; and
 FIG. 6 is a bottom view thereof.
 FIG. 7 is a front, perspective view of the merchandise display card of FIG. 1 with additional environmental subject matter shown in broken lines;
 FIG. 8 is a front view thereof;
 FIG. 9 is a rear view thereof;
 FIG. 10 is a right side view thereof, the left side view being a mirror image of the right side view;
 FIG. 11 is a top view thereof; and,
 FIG. 12 is a bottom view thereof.

The broken lines depicting two tiny circles and an elongated triangular hole with rounded corners, as well as the broken lines at the top and the bottom edges, are superimposed subject matter on continuous flat surfaces, are to illustrate possible design features, and form no part of the claimed design. The broken lines depicting displayed merchandise and a retention means in FIGS. 7-12 show possible environment and form no part of the claimed design.

1 Claim, 10 Drawing Sheets



(56)

References Cited

U.S. PATENT DOCUMENTS

689,667 A * 12/1901 Blakeslee 206/476
 1,088,057 A 2/1914 Brabant
 D57,477 S * 4/1921 Januchowsky D9/443
 1,670,204 A * 5/1928 Moore 206/372
 1,879,751 A * 9/1932 Keiser 206/277
 1,896,678 A 2/1933 Myers
 2,285,214 A * 6/1942 Lisle 211/69.9
 D133,820 S * 9/1942 Houghton D9/415
 2,854,135 A * 9/1958 Pantalone 206/476
 3,002,722 A * 10/1961 Cote 248/174
 3,003,620 A 10/1961 Srofe
 3,067,866 A 12/1962 Burton
 3,070,222 A * 12/1962 Jones 206/780
 3,184,046 A 5/1965 Berg
 3,236,366 A * 2/1966 Broda et al. 206/379
 3,259,236 A * 7/1966 Cole 206/423
 3,301,386 A * 1/1967 Carter 206/315.11
 3,349,897 A 10/1967 Stone
 3,370,733 A 2/1968 Giesler
 3,493,103 A 2/1970 Cote
 3,658,175 A 4/1972 Vrana
 3,847,282 A 11/1974 Collura et al.
 3,887,067 A * 6/1975 Collura et al. 206/780
 3,948,391 A 4/1976 Beaman
 3,964,606 A * 6/1976 Hogg et al. 206/395
 3,978,984 A * 9/1976 Cowley 206/379
 3,990,578 A * 11/1976 Roeser 206/461
 4,023,678 A * 5/1977 Fiedler 206/363
 4,053,050 A 10/1977 Forbes, Jr. et al.
 4,062,450 A 12/1977 Carter
 4,133,427 A * 1/1979 Loomis 206/317
 4,300,683 A * 11/1981 Roccaforte 206/485
 4,362,239 A * 12/1982 Roccaforte 206/780
 D275,737 S * 10/1984 Carey et al. D9/722

4,518,086 A 5/1985 Roccaforte
 4,880,117 A * 11/1989 Garganese 206/487
 D323,460 S * 1/1992 Ayala et al. D9/415
 5,131,542 A * 7/1992 Stenstrom 206/476
 5,251,756 A 10/1993 Grange
 5,375,717 A * 12/1994 Roshdy 206/476
 5,392,919 A * 2/1995 Passamoni 206/576
 5,428,940 A * 7/1995 Paumen et al. 53/398
 5,544,755 A 8/1996 Paumen et al.
 5,577,606 A * 11/1996 Schwentuchowski
 et al. 206/327
 5,595,047 A * 1/1997 Paumen et al. 53/398
 D385,581 S 10/1997 Linz
 5,692,656 A * 12/1997 Dembicks 224/249
 6,024,224 A 2/2000 Gnadt et al.
 D430,017 S * 8/2000 Ito et al. D9/415
 6,109,439 A * 8/2000 Goade, Sr. 206/454
 6,176,549 B1 * 1/2001 Karash 297/391
 D443,204 S * 6/2001 Garrant et al. D9/415
 D493,715 S * 8/2004 Izen et al. D9/415
 D494,066 S * 8/2004 Liu D9/457
 7,143,892 B2 12/2006 Kolton et al.
 D590,257 S * 4/2009 Matsumoto et al. D9/457
 D651,512 S * 1/2012 Eaton et al. D9/435
 8,322,529 B2 12/2012 Titkos et al.

OTHER PUBLICATIONS

DIY Win! (Steel Yarn Needle Packaging, bottom of p. 3 of 5).
 LuckyFrog Blog [online]. Posted Oct. 9, 2010 [retrieved on Dec. 16,
 2013]. Retrieved from Internet: <URL <http://luckyfrogblog.blogspot.com/2010/10/diy-win.html>>.*
 Photographs of Betty Crocker Utensil Packaging offered for sale in
 stores more than one year prior to Mar. 6, 2013 (2 pages).
 Photographs of Utensils from Target Store offered for sale in stores
 more than one year prior to Mar. 6, 2013 (3 pages).

* cited by examiner

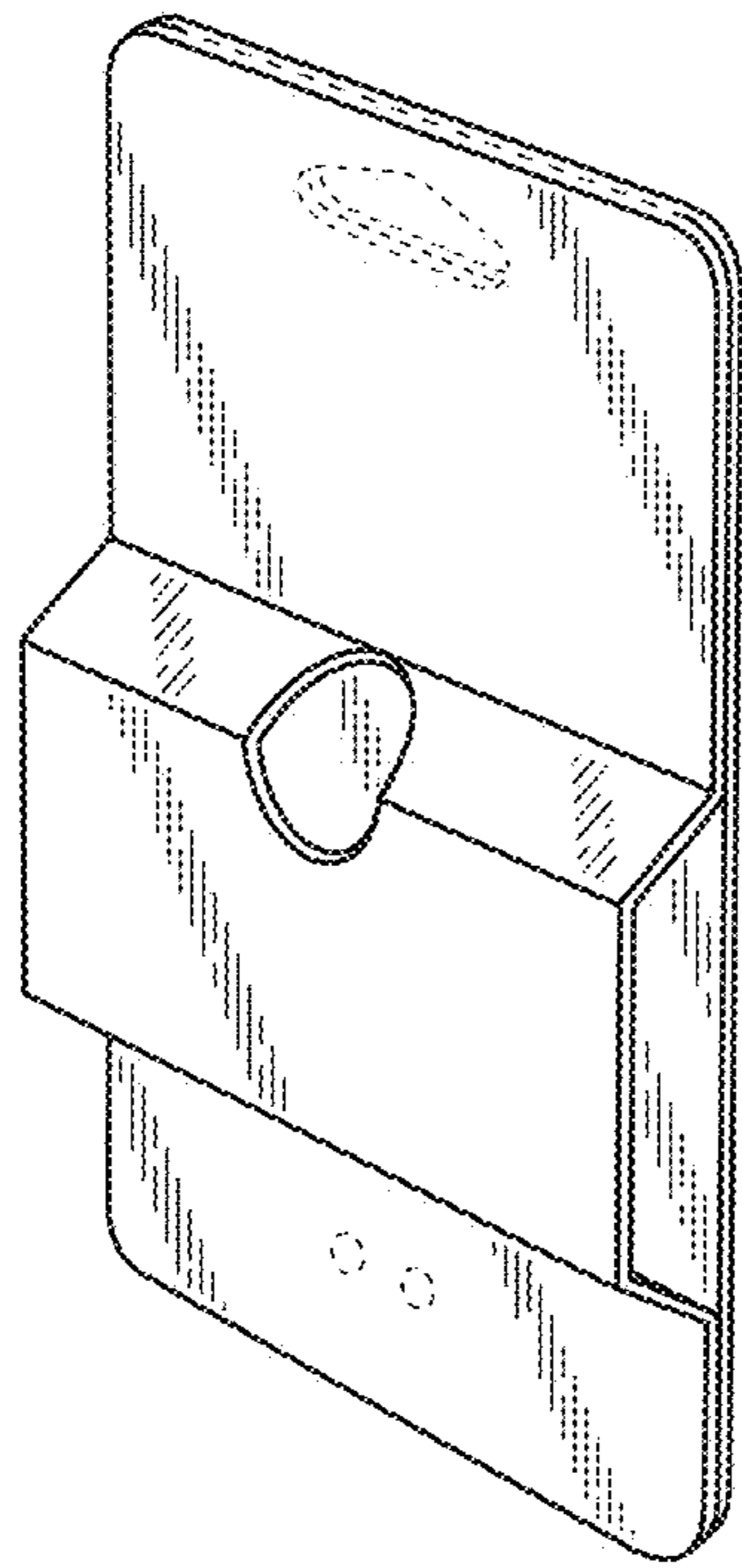


FIG. 1

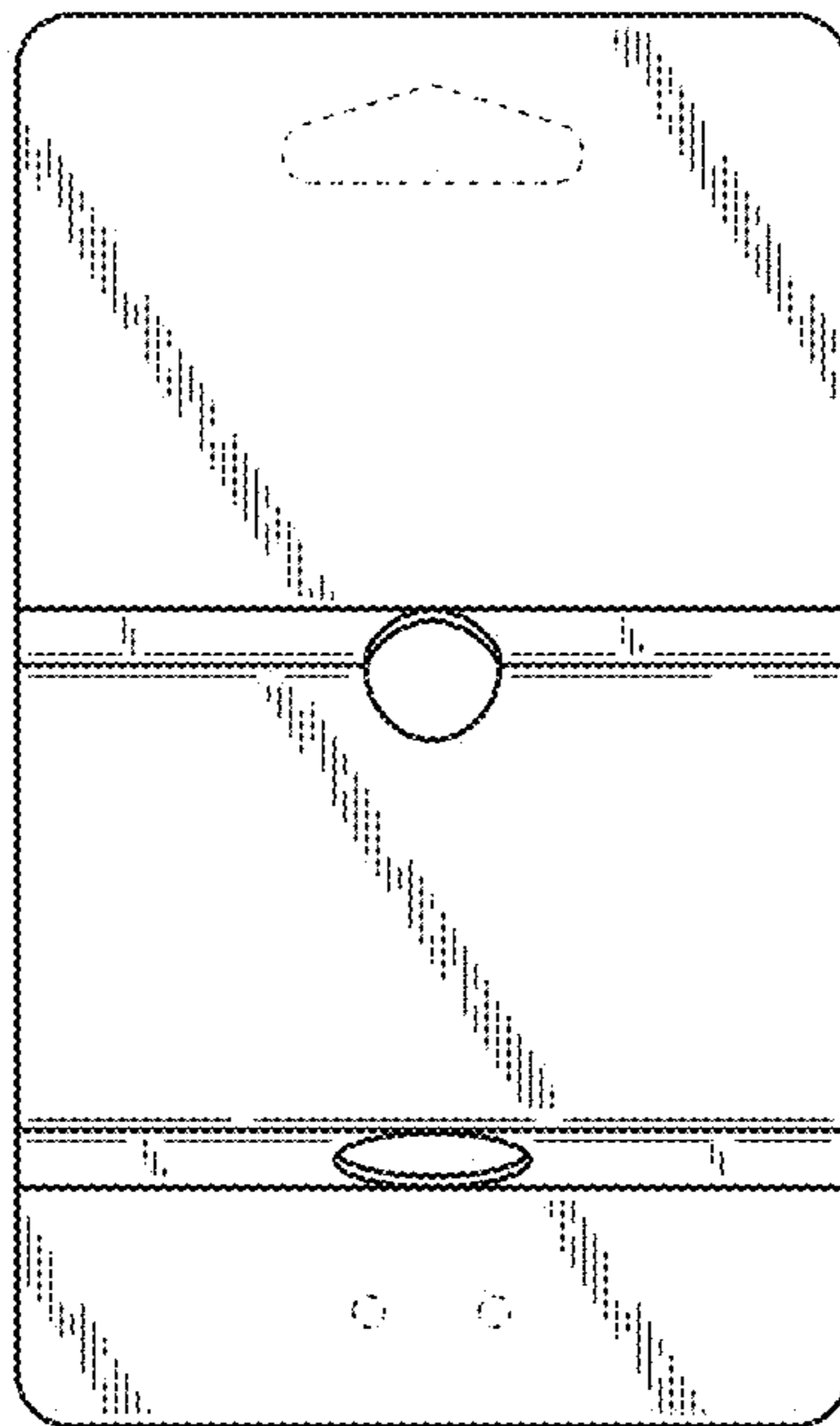


FIG. 2

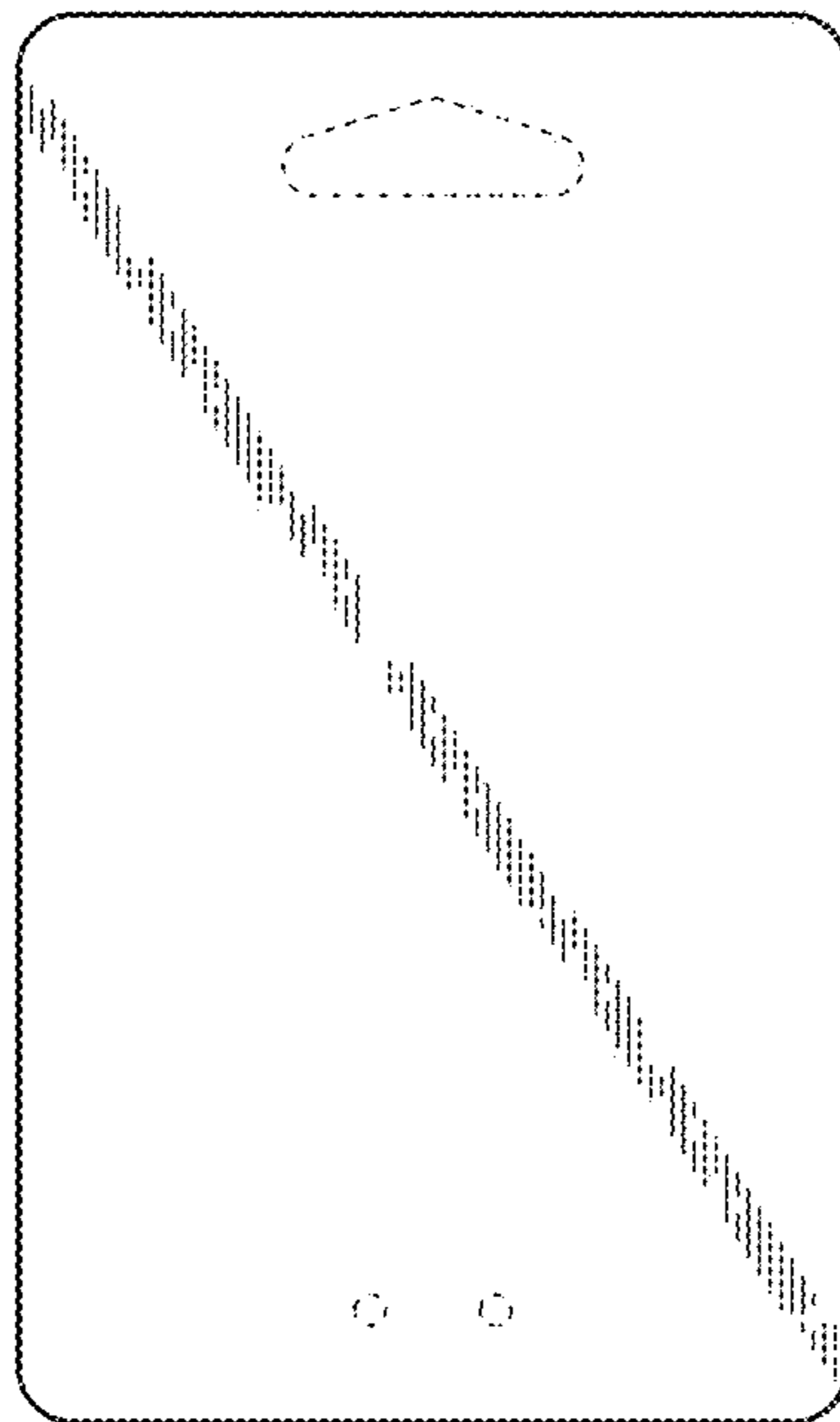


FIG. 3

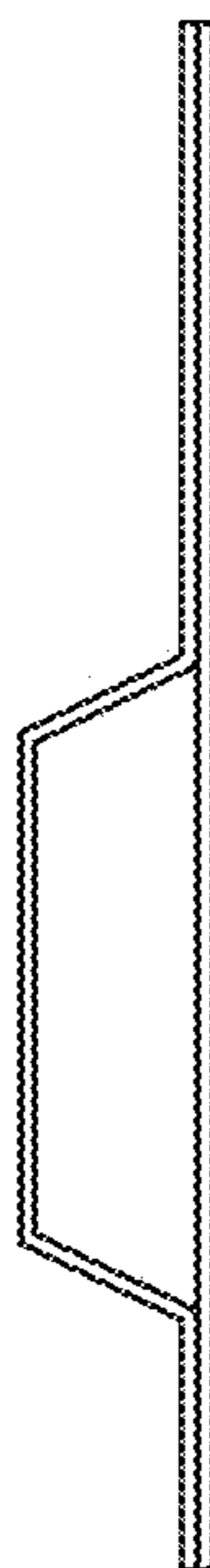


FIG. 4

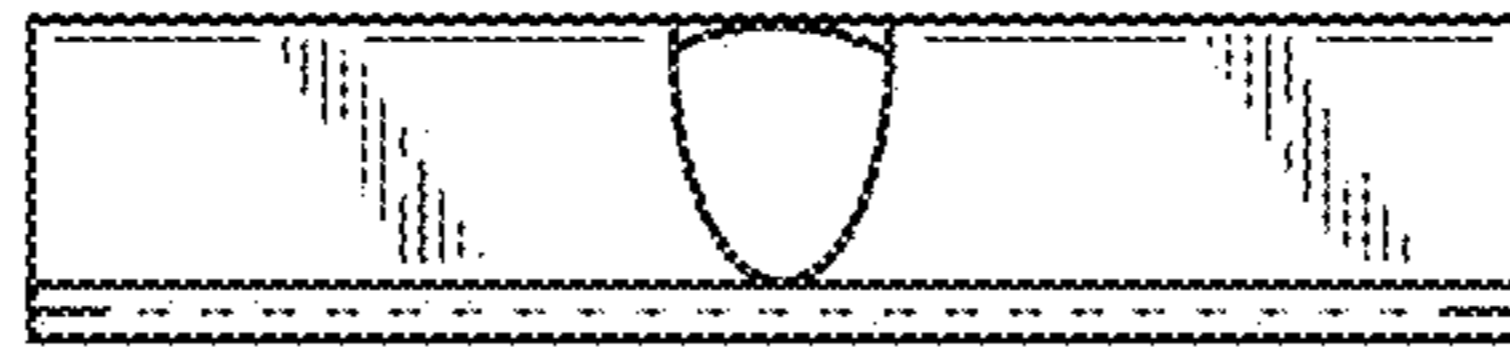


FIG. 5

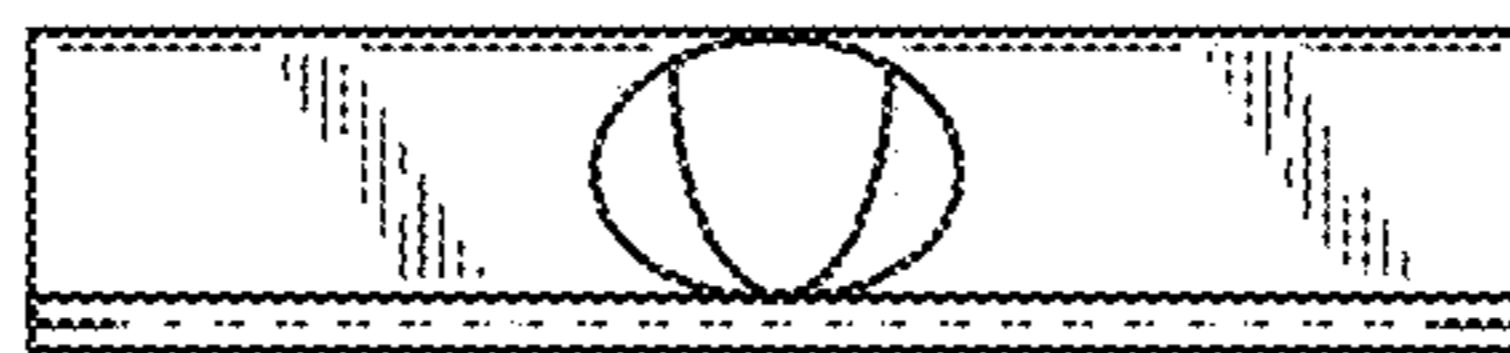


FIG. 6

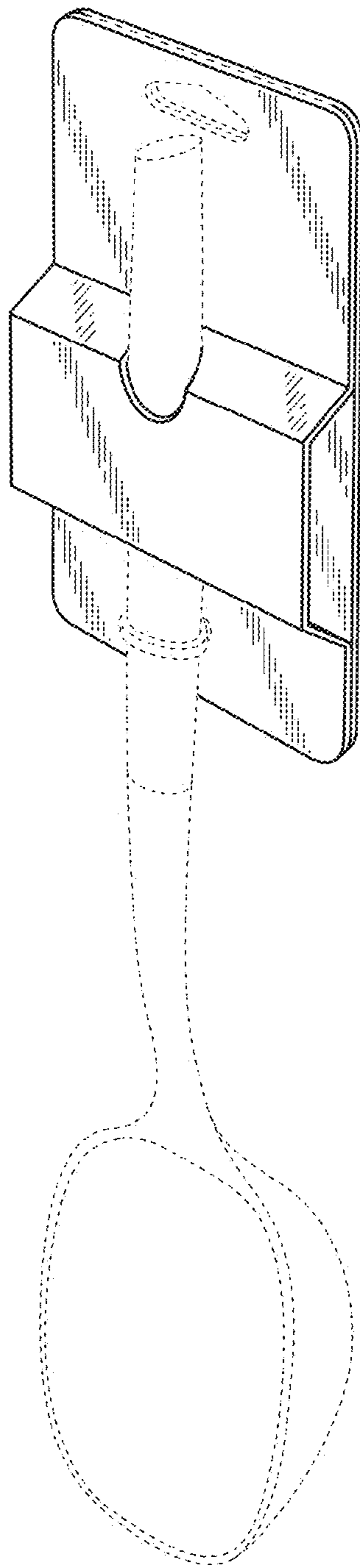


FIG. 7

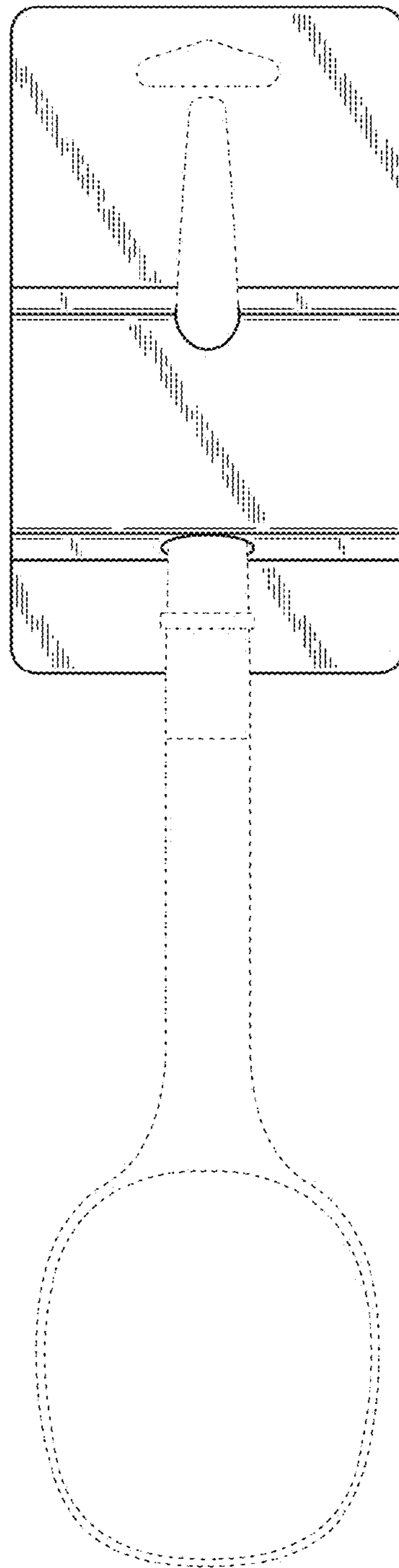


FIG. 8

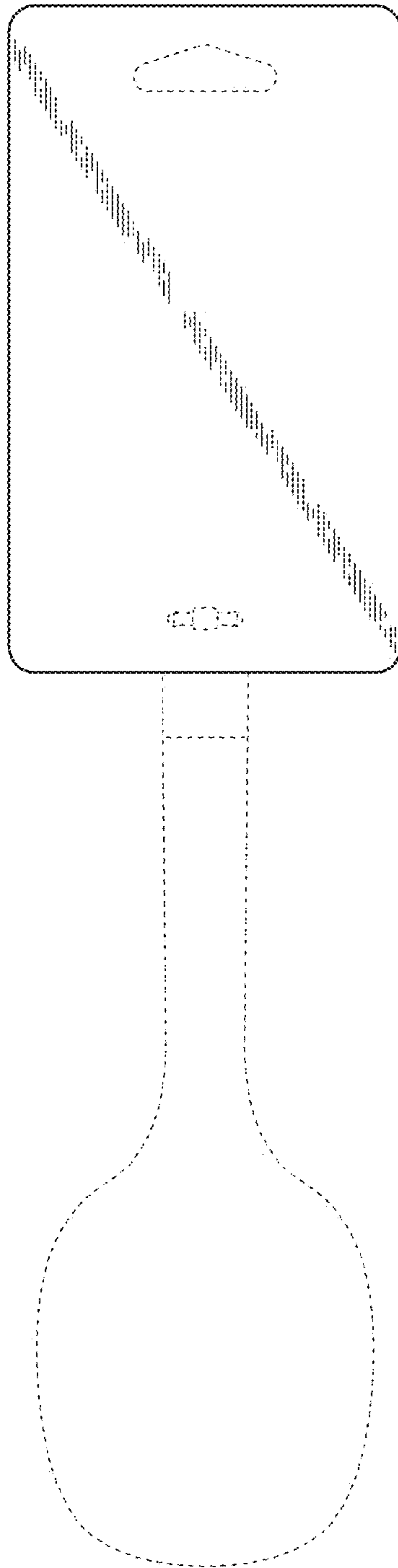


FIG. 9

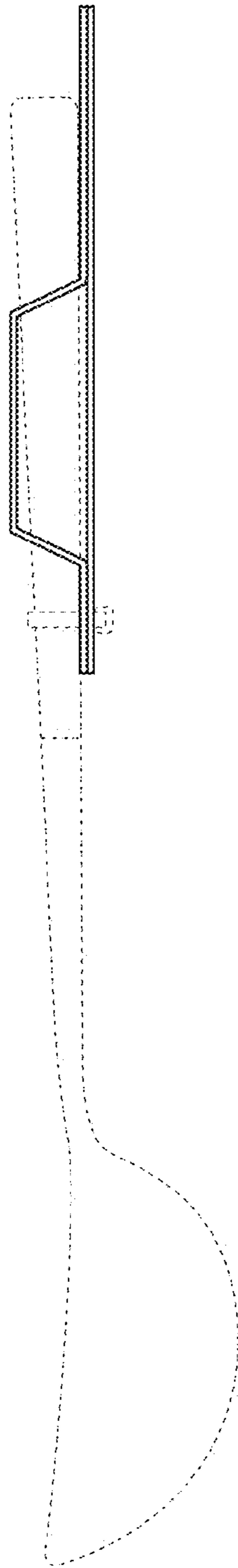


FIG. 10

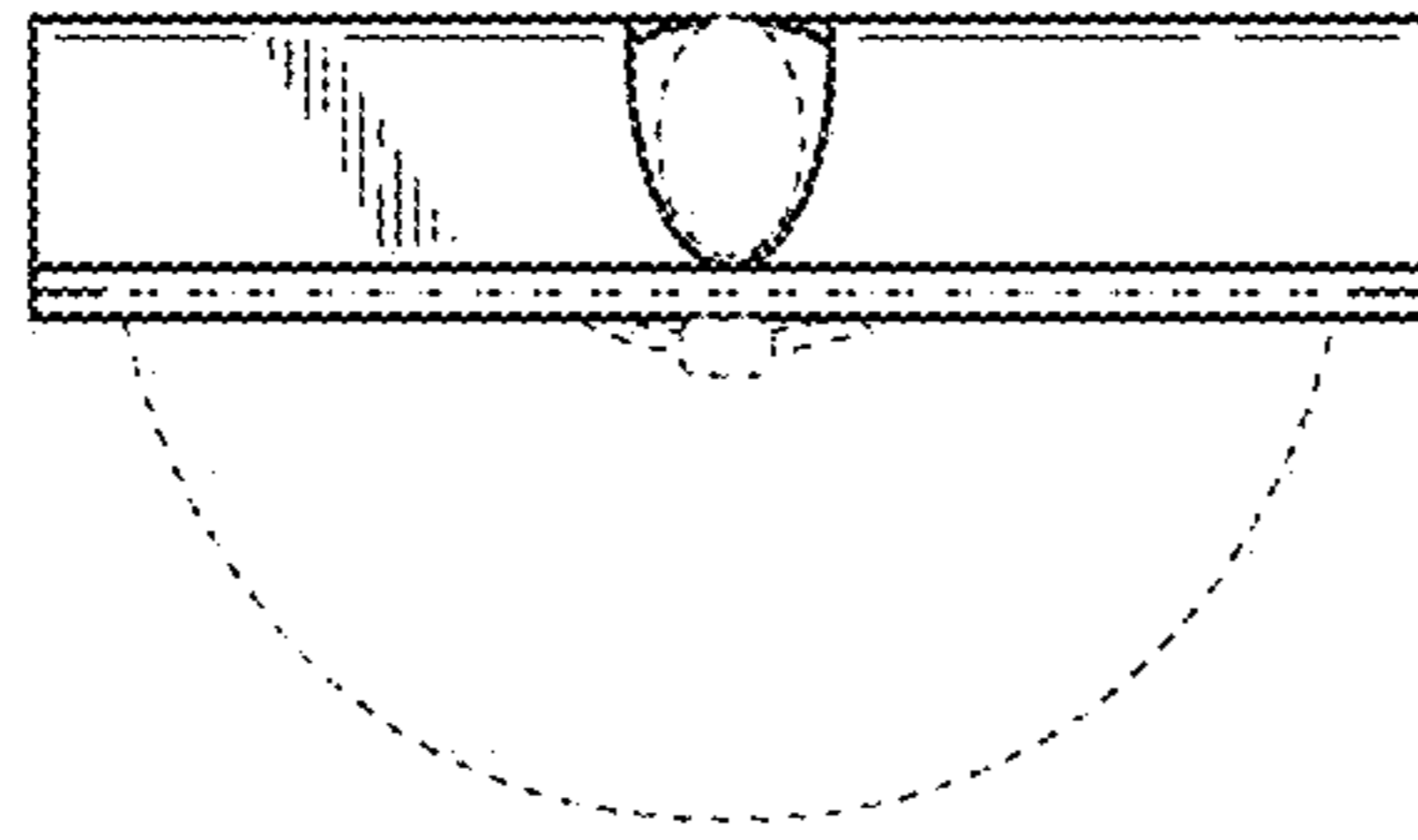


FIG. 11

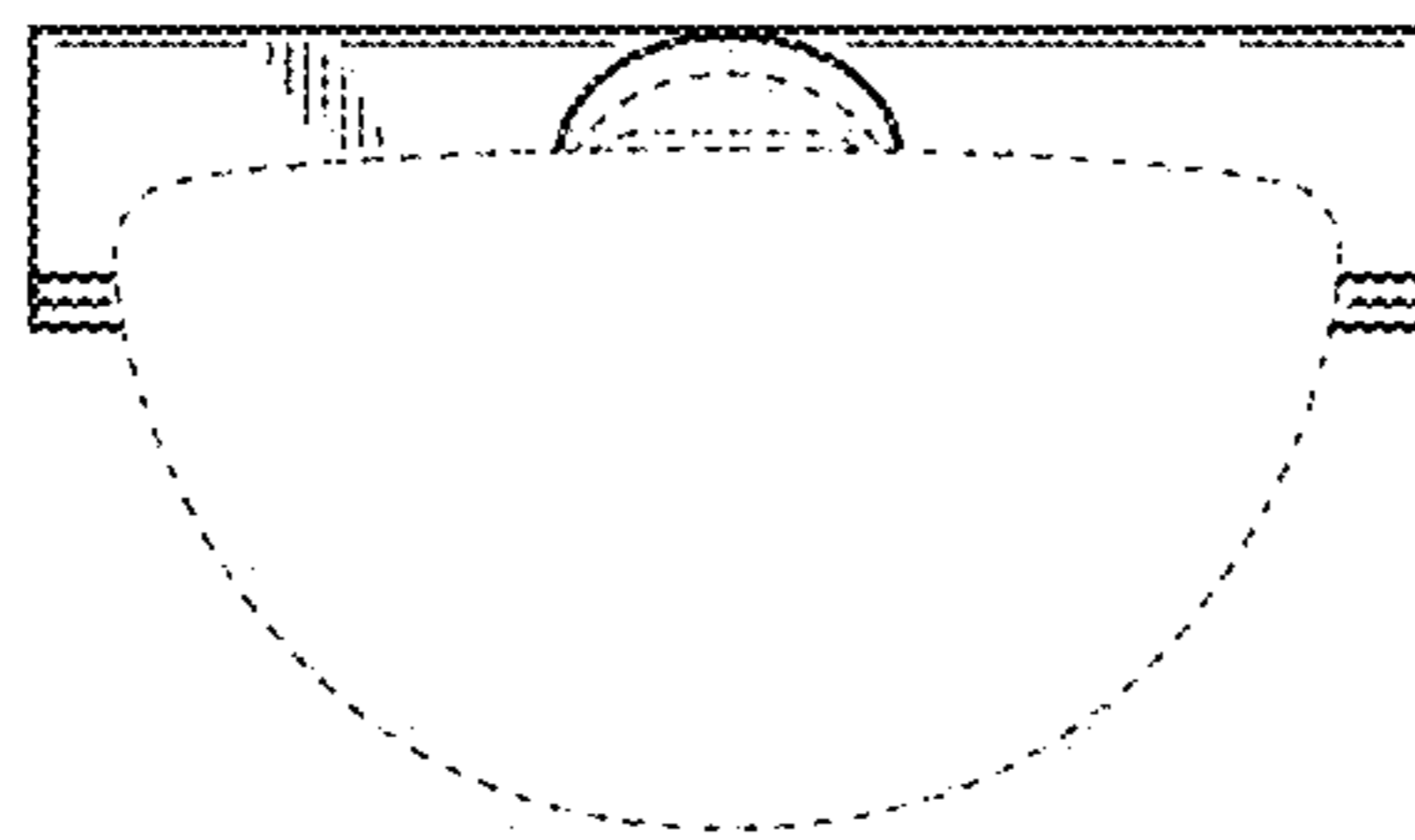


FIG. 12