



US00D699106S

(12) **United States Design Patent**
Glaser et al.

(10) **Patent No.:** **US D699,106 S**
(45) **Date of Patent:** **** Feb. 11, 2014**

(54) **FOOD TRAY**

5,674,546 A 10/1997 Barnes et al.
D391,850 S * 3/1998 Krupa et al. D9/429
5,890,648 A 4/1999 Cai

(71) Applicant: **KFC Corporation**, Louisville, KY (US)

(Continued)

(72) Inventors: **Paul Glaser**, Floyds Knobs, IN (US);
Susan E. Miles, Georgetown, IN (US);
Rod Stephenson, Leesburg, FL (US);
Chris Roeder, Collierville, TN (US)

FOREIGN PATENT DOCUMENTS

GB 2297536 A 8/1996
GB 2331060 A 5/1999

(73) Assignee: **KFC Corporation**, Louisville, KY (US)

Primary Examiner — Eric Goodman
Assistant Examiner — Marie D Fast Horse

(**) Term: **14 Years**

(74) *Attorney, Agent, or Firm* — Stites & Harbison, PLLC;
David W. Nagle, Jr.

(21) Appl. No.: **29/449,089**

(57) **CLAIM**

(22) Filed: **Mar. 14, 2013**

The ornamental design for a food tray, as shown and described.

(51) **LOC (10) Cl.** **09-07**

DESCRIPTION

(52) **U.S. Cl.**

USPC **D9/456**

(58) **Field of Classification Search**

USPC D9/424, 414, 418–423, 425, 428–432,
D9/435, 436, 443, 455, 456, 499; D7/538,
D7/543, 601, 602, 604, 608, 610, 612,
D7/629; D3/202, 273, 328; 206/486, 488,
206/490, 503, 504, 557, 562, 565, 521.1,
206/775, 776, 815, 822; 220/676, 781, 786,
220/789, 790, 793, 912; 229/406, 407, 906,
229/915, 925; 426/120

See application file for complete search history.

FIG. 1 is a perspective view of a food tray in a first orientation and incorporating the design of the present invention;
FIG. 2 is a perspective view of the food tray of FIG. 1 in a second orientation;
FIG. 3 is a perspective view of the food tray of FIG. 1 in the first orientation and positioned as a lid of another food container;
FIG. 4 is a perspective view of the food tray of FIG. 1 in the second orientation and positioned as a lid of another food container;
FIG. 5 is a top view of the food tray of FIG. 1;
FIG. 6 is a bottom view of the food tray of FIG. 1;
FIG. 7 is a left side view of the food tray of FIG. 1, and the right side view is identical; and,
FIG. 8 is a front view of the food tray of FIG. 1, and the rear view is identical.

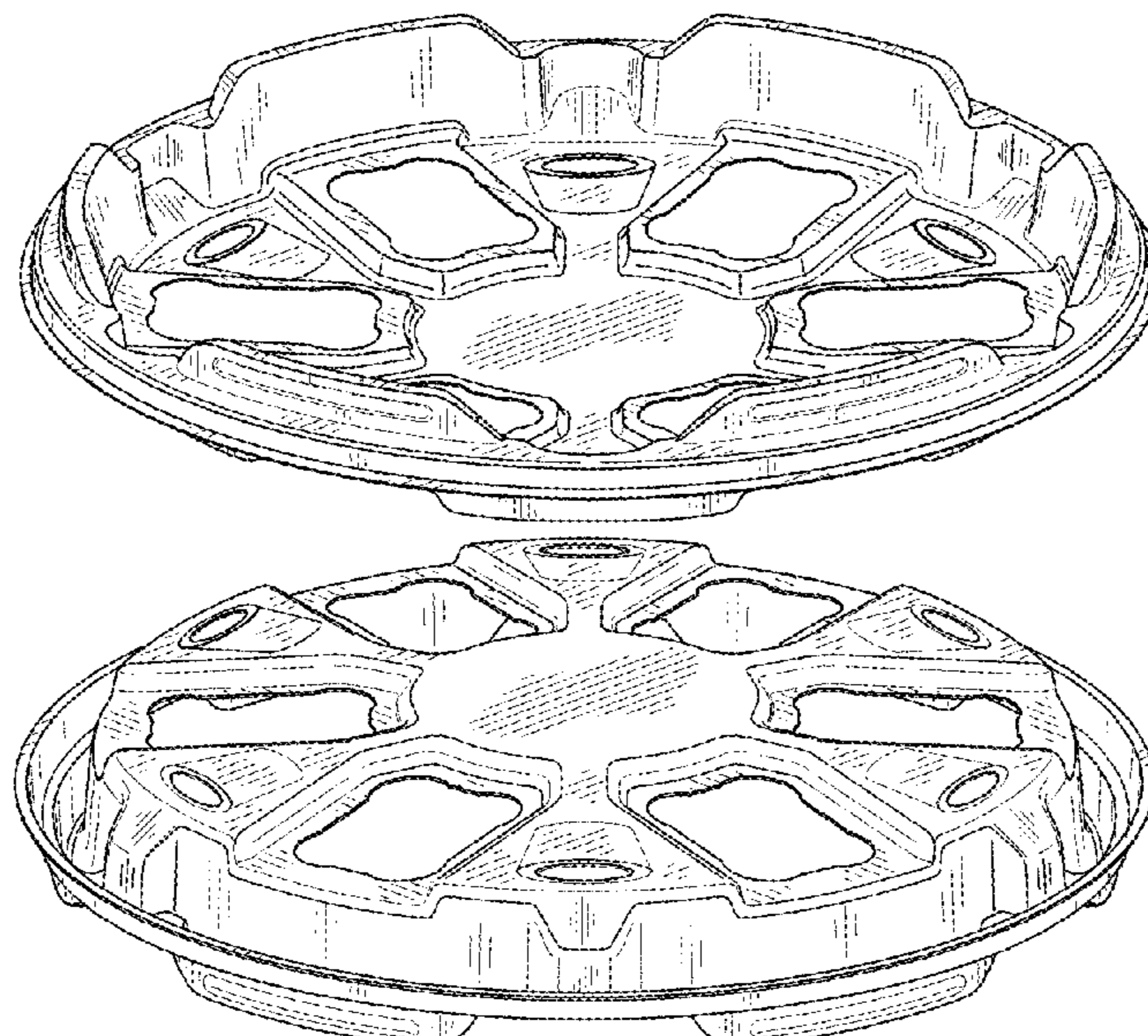
The broken lines in the drawings are included for the purpose of illustrating environmental structure and form no part of the claimed design.

(56) **References Cited**

U.S. PATENT DOCUMENTS

3,521,788 A 7/1970 Kandel et al.
3,739,976 A 6/1973 MacDaniel
D248,217 S * 6/1978 Allen et al. D9/443
4,375,862 A 3/1983 Kurinsky et al.
4,506,784 A 3/1985 Kanfer
D352,423 S * 11/1994 Laib D7/538
D358,091 S * 5/1995 Warburton D9/429

1 Claim, 5 Drawing Sheets



(56)

References Cited

U.S. PATENT DOCUMENTS

5,894,953 A 4/1999 Ramirez
 6,478,183 B1 11/2002 Bacon et al.
 D473,788 S * 4/2003 Chen et al. D9/428
 6,604,646 B2 8/2003 Tomiainen et al.
 6,719,192 B2 4/2004 Barcat et al.
 6,733,852 B2 * 5/2004 Littlejohn et al. 428/35.7
 6,766,902 B1 7/2004 Hartelius
 D520,874 S 5/2006 Gross et al.
 D521,382 S 5/2006 Gross et al.
 D545,618 S * 7/2007 Zettle et al. D7/391
 D568,765 S 5/2008 Miles
 D592,017 S * 5/2009 Bizzell D7/629
 D597,793 S * 8/2009 Krueger et al. D7/538
 7,823,743 B2 11/2010 McKahan et al.

D628,883 S * 12/2010 Stephens D9/429
 D633,757 S * 3/2011 Smyers D7/629
 D635,402 S * 4/2011 Shah D7/538
 D645,748 S * 9/2011 Sharma et al. D9/503
 D656,816 S 4/2012 Glaser et al.
 8,146,766 B2 4/2012 Vovan et al.
 D679,951 S * 4/2013 Khaoorn D7/538
 D689,768 S * 9/2013 Inderbitzin D9/429
 2002/0175171 A1 * 11/2002 Stewart et al. 220/781
 2004/0035867 A1 2/2004 Schultz et al.
 2005/0236413 A1 10/2005 Maciag et al.
 2008/0105736 A1 5/2008 Kalberer
 2008/0206437 A1 8/2008 Perry
 2009/0120942 A1 5/2009 Vovan
 2009/0200195 A1 8/2009 Kovacevich et al.
 2011/0114643 A1 5/2011 Bogdziewicz
 2011/0212225 A1 * 9/2011 Mariller 426/80

* cited by examiner

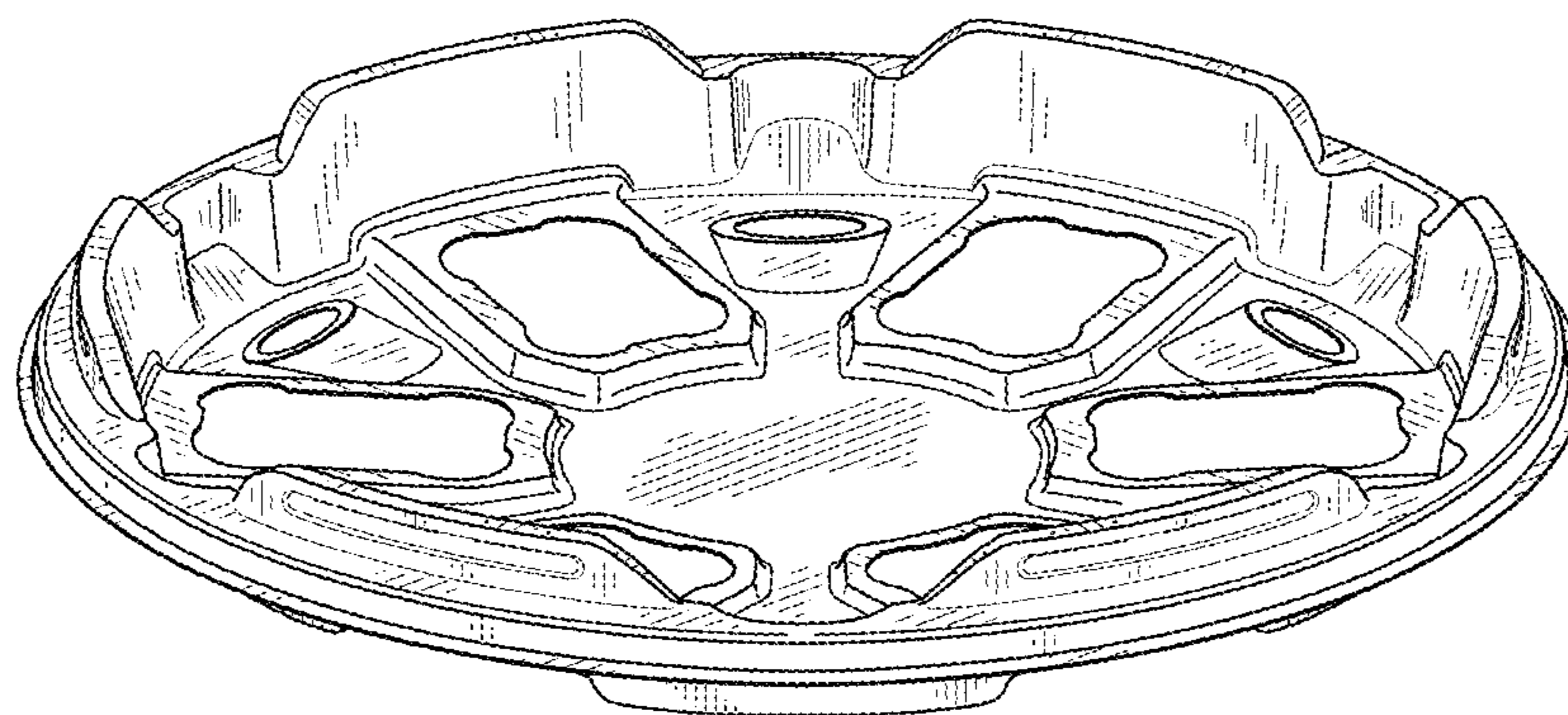


FIG. 1

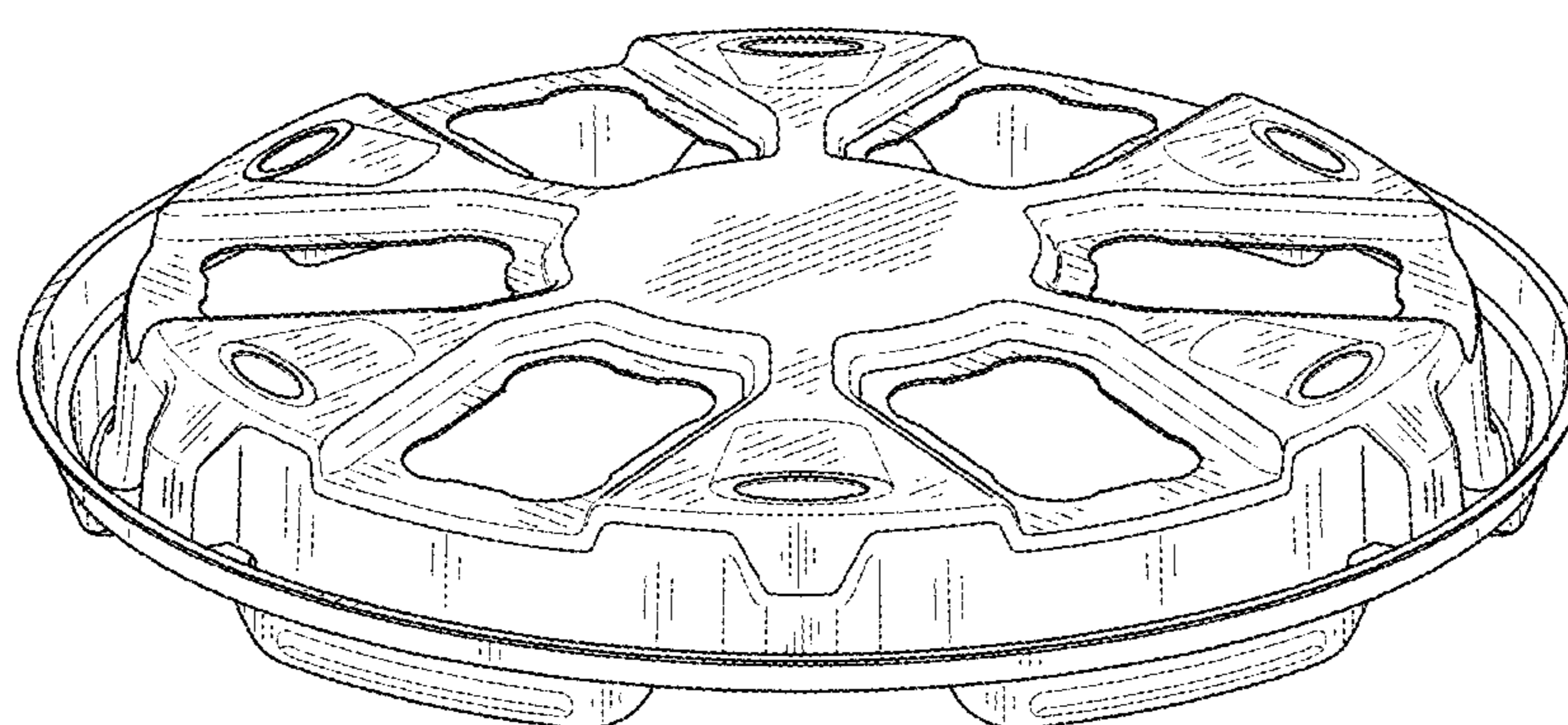


FIG. 2

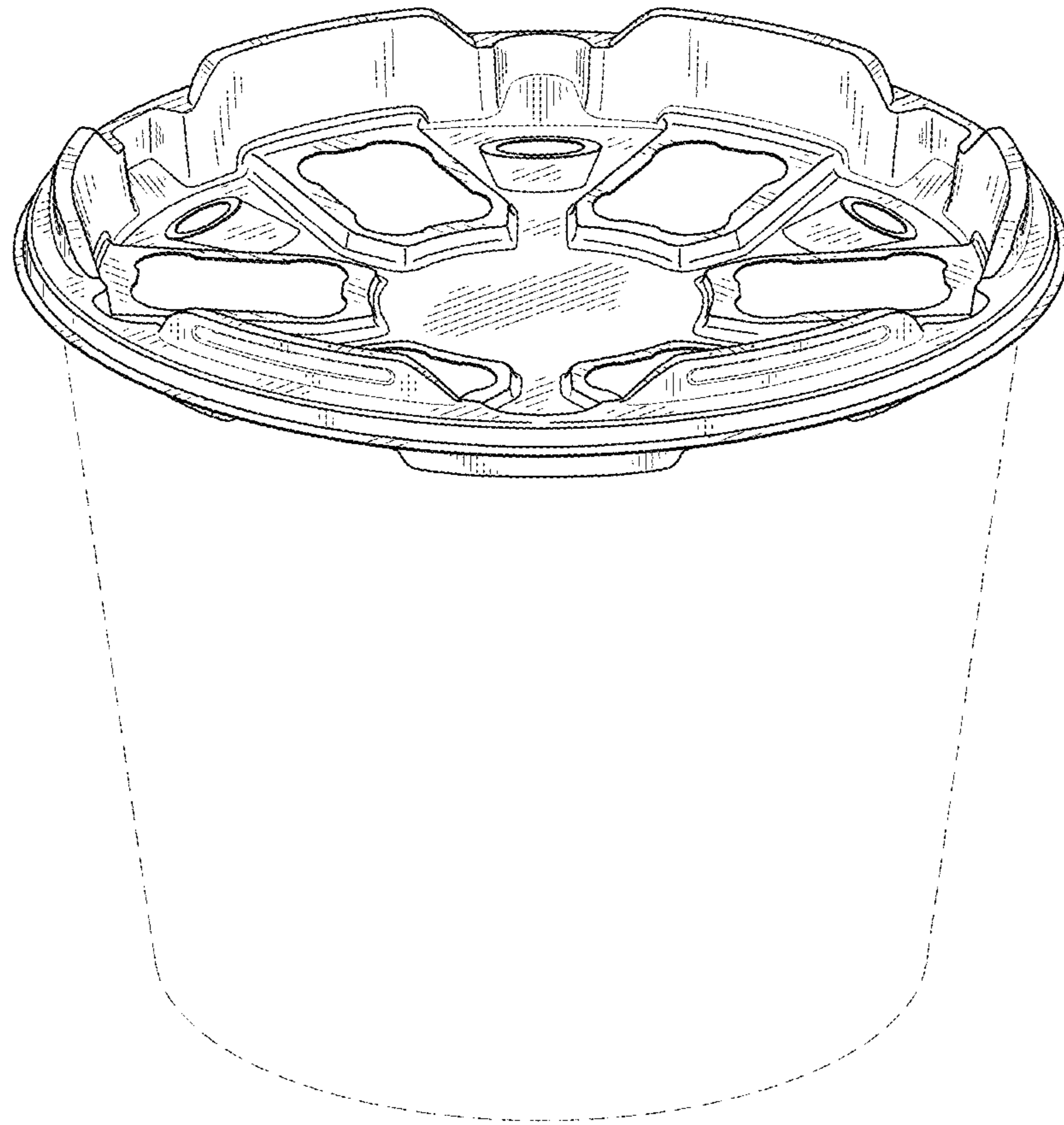


FIG. 3

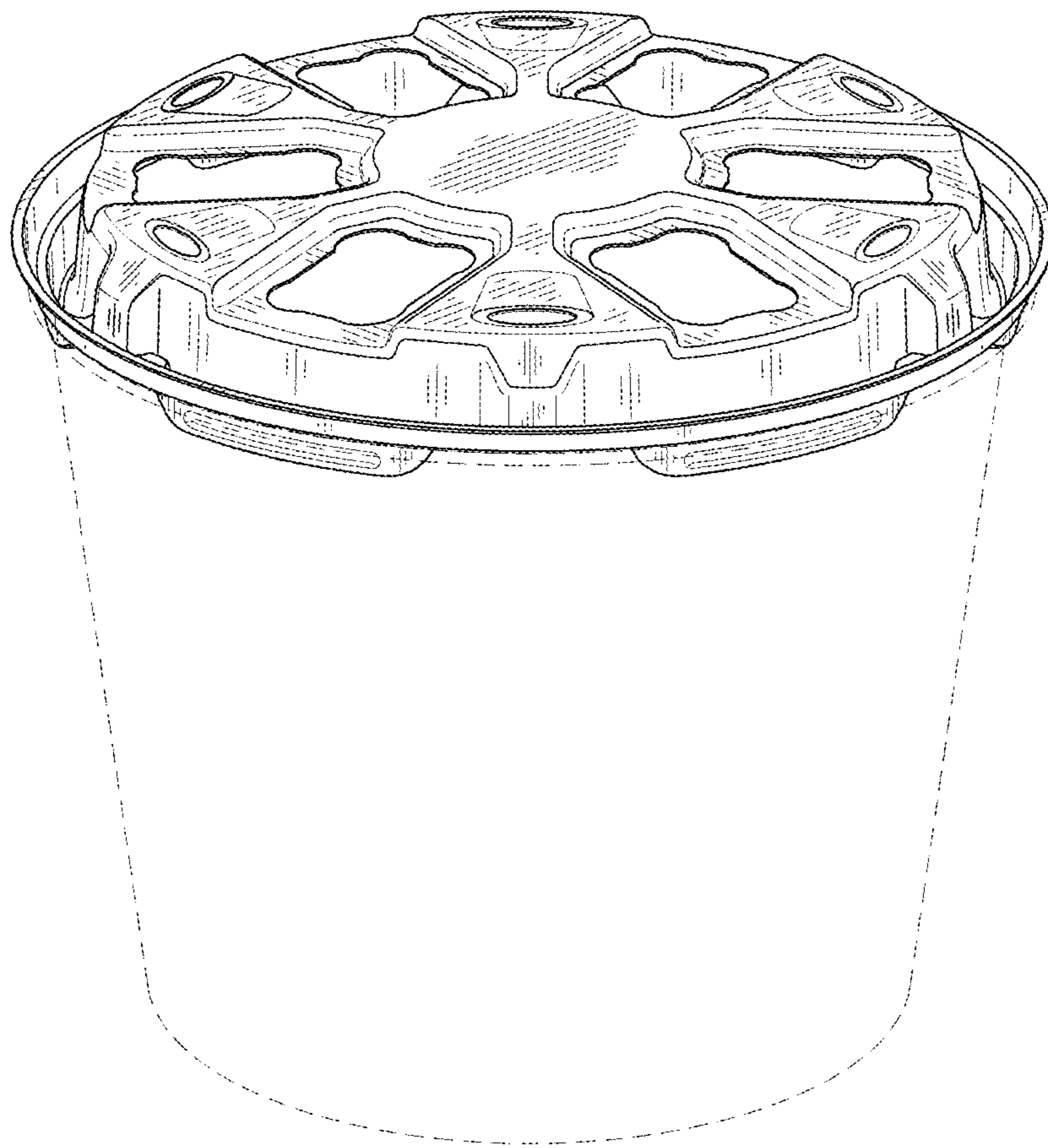


FIG. 4

FIG. 5

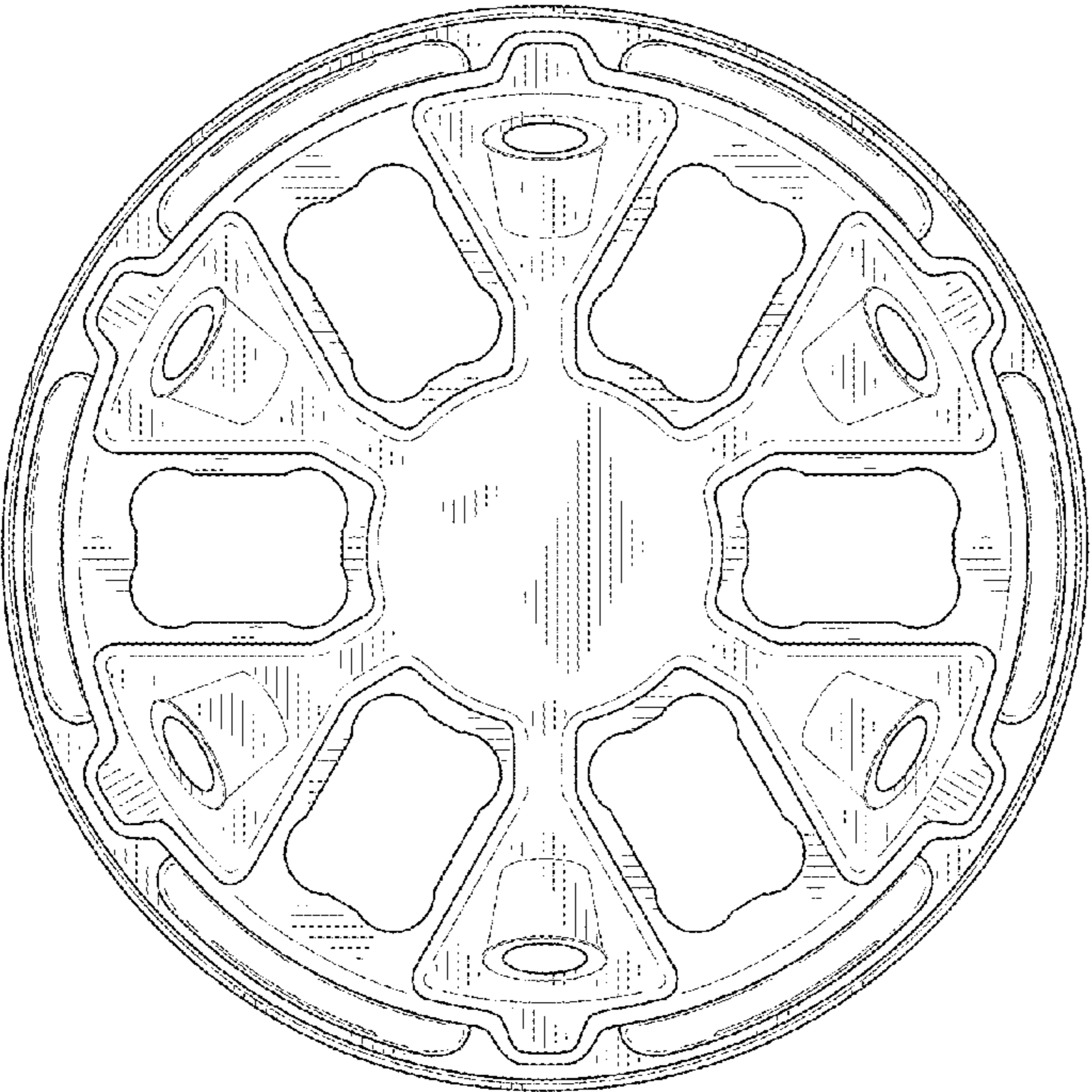
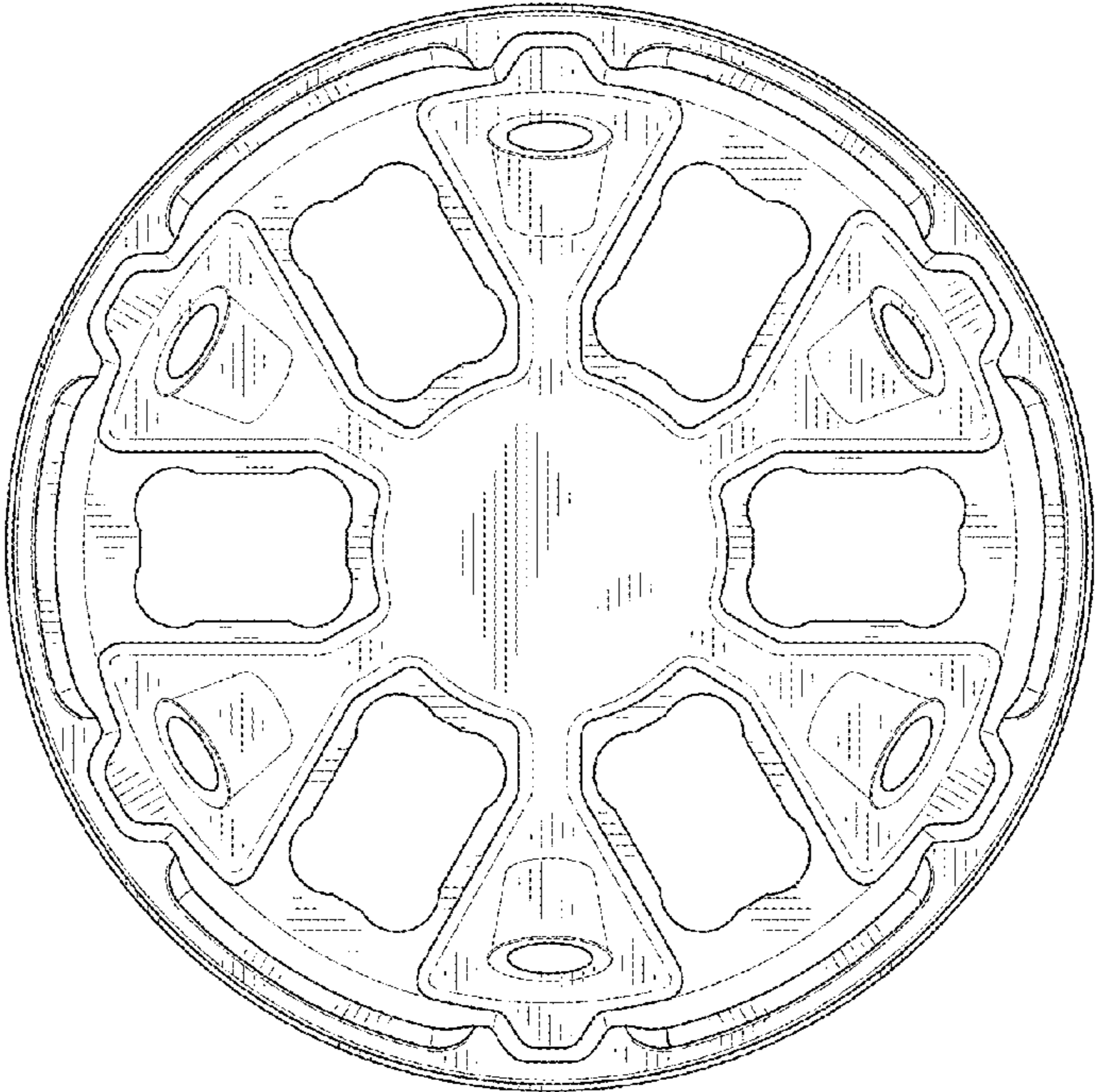


FIG. 6

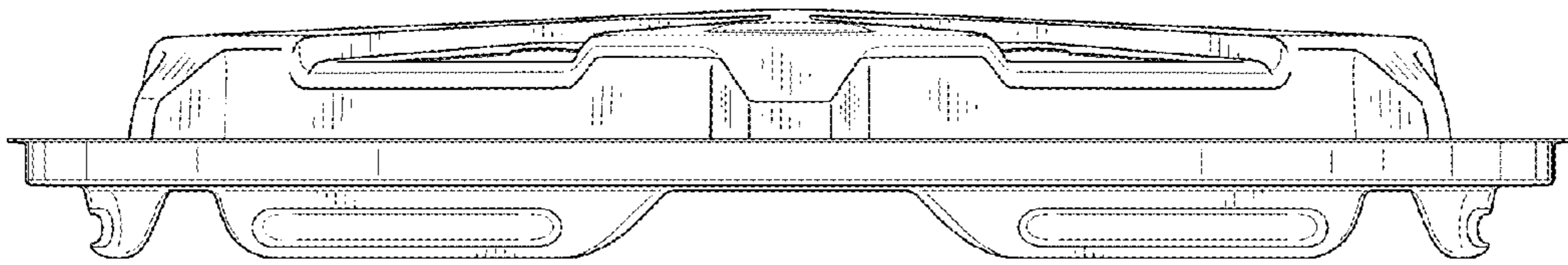


FIG. 7

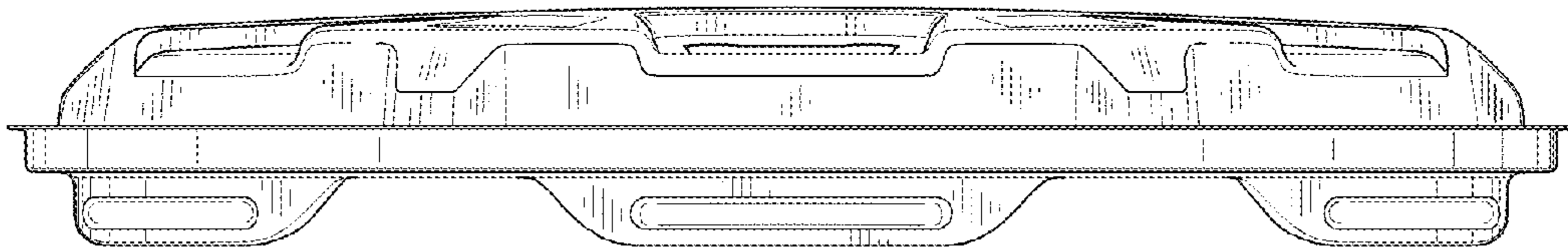


FIG. 8