



US00D699101S

(12) **United States Design Patent**
Strom et al.

(10) **Patent No.:** **US D699,101 S**

(45) **Date of Patent:** **** Feb. 11, 2014**

(54) **CARTON**

(71) Applicant: **Welch Allyn, Inc.**, Skaneateles Falls, NY (US)

(72) Inventors: **John R. Strom**, Skaneateles Falls, NY (US); **Michael T. McMahon**, Skaneateles Falls, NY (US); **Sean R. Karla**, Skaneateles Falls, NY (US); **Lisa Killian**, Skaneateles Falls, NY (US)

(73) Assignee: **Welch Allyn, Inc.**, Skaneateles Falls, NY (US)

(**) Term: **14 Years**

(21) Appl. No.: **29/444,430**

(22) Filed: **Jan. 30, 2013**

(51) **LOC (10) Cl.** **09-03**

(52) **U.S. Cl.**
USPC **D9/416**

(58) **Field of Classification Search**
USPC D9/456, 715, 517, 430, 431, 432, 433, D9/414-419, 423, 424, 428, 426, 499, 454, D9/744, 748, 749, 501, 503, 722, 736; 206/769, 773, 775-778, 395, 397-98, 206/223, 736, 756, 495, 349, 760, 541, 206/784; 229/162.1, 162.3, 162.7, 107, 229/122, 395, 938, 902, 409, 125.05, 116.1
See application file for complete search history.

(56) **References Cited**

U.S. PATENT DOCUMENTS

D419,440	S	1/2000	Hansen	
D431,462	S	10/2000	Menaged et al.	
D432,912	S	* 10/2000	Lubineau-Bigot et al. D9/416
D433,630	S	* 11/2000	Lubineau-Bigot et al. D9/416
D472,463	S	* 4/2003	Kinigakis D9/416
D490,703	S	6/2004	Rusnock	
D505,620	S	* 5/2005	Huebsch D9/416
D511,681	S	* 11/2005	Cogley et al. D9/416
D548,583	S	* 8/2007	Carmichael et al. D9/416
7,743,944	B2	6/2010	Ho Fung et al.	
7,784,675	B2	8/2010	Sutherland et al.	

8,033,449	B2	10/2011	Ho Fung et al.	
8,136,717	B2	3/2012	De Paula et al.	
D678,049	S	* 3/2013	Bakker et al. D9/416
2010/0298724	A1	11/2010	Vivenzio et al.	

* cited by examiner

Primary Examiner — Robert M Spear

Assistant Examiner — Rhea Shields

(57) **CLAIM**

We claim the ornamental design for a carton, as shown and described.

DESCRIPTION

FIG. 1 is a perspective view of a carton showing our new design;
 FIG. 2 is a front elevation view thereof;
 FIG. 3 is a rear elevation view thereof;
 FIG. 4 is a top plan view thereof;
 FIG. 5 is a bottom plan view thereof;
 FIG. 6 is a left side elevation view thereof;
 FIG. 7 is a right side elevation view thereof;
 FIG. 8 is another perspective view thereof, shown in a position of use with a portion of a tear strip being removed;
 FIG. 9 is yet another perspective view thereof, shown in a further position of use with a tear strip and an end portion removed;
 FIG. 10 is a front elevation view thereof;
 FIG. 11 is a rear elevation view thereof;
 FIG. 12 is a top plan view thereof;
 FIG. 13 is a bottom plan view thereof;
 FIG. 14 is a left side elevation view thereof;
 FIG. 15 is a right side elevation view thereof;
 FIG. 16 is yet another perspective view thereof, shown in yet a further position of use with two tear strips and two end portions removed;
 FIG. 17 is a front elevation view thereof;
 FIG. 18 is a rear elevation view thereof;
 FIG. 19 is a top plan view thereof;
 FIG. 20 is a bottom plan view thereof;
 FIG. 21 is a left side elevation view thereof;
 FIG. 22 is a right side elevation view thereof;

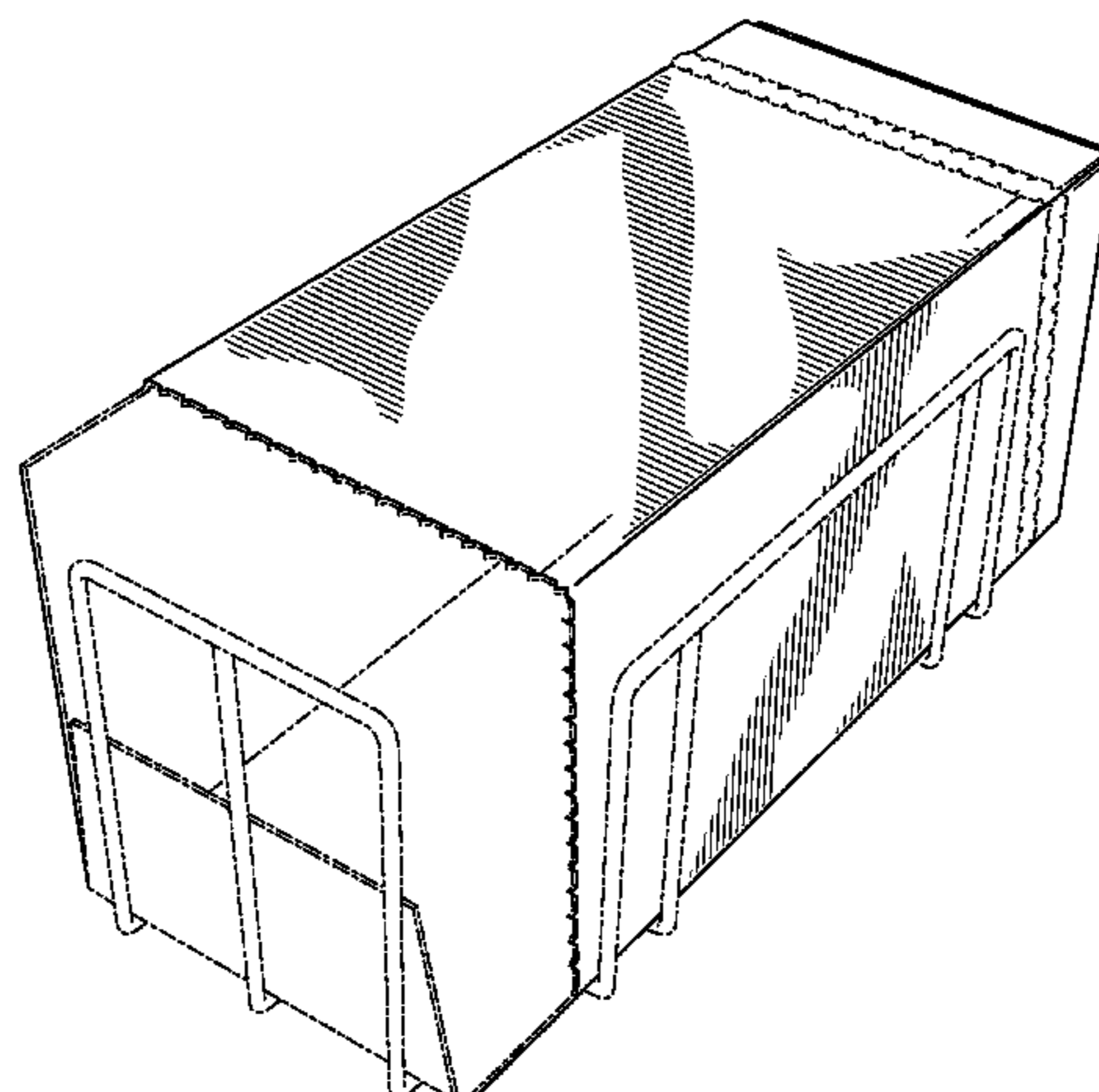
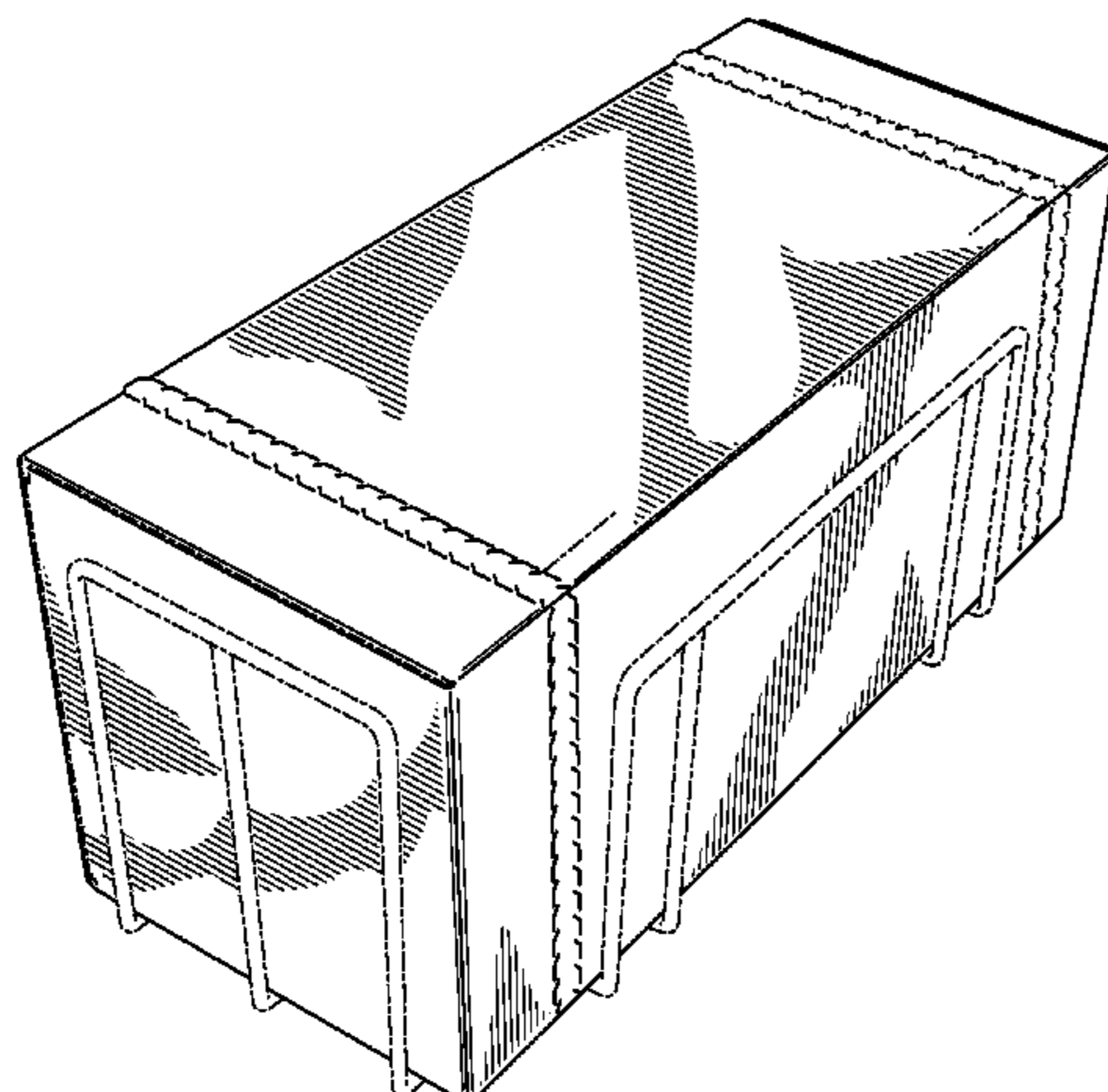


FIG. 23 is a perspective view of a carton showing our new design;

FIG. 24 is a front elevation view thereof;

FIG. 25 is a rear elevation view thereof;

FIG. 26 is a top plan view thereof;

FIG. 27 is a bottom plan view thereof;

FIG. 28 is a left side elevation view thereof;

FIG. 29 is a right side elevation view thereof;

FIG. 30 is another perspective view thereof, shown in a position of use with a portion of a tear strip being removed;

FIG. 31 is yet another perspective view thereof, shown in a further position of use with a tear strip and an end portion removed;

FIG. 32 is a front elevation view thereof;

FIG. 33 is a rear elevation view thereof;

FIG. 34 is a top plan view thereof;

FIG. 35 is a bottom plan view thereof;

FIG. 36 is a left side elevation view thereof; and,

FIG. 37 is a right side elevation view thereof.

Broken lines immediately adjacent shaded areas represent bounds of the claimed design. Broken lines of the basket in FIGS. 1-37 are directed to environment. All other broken lines are directed to unclaimed features. The broken lines form no part of the claimed design.

1 Claim, 32 Drawing Sheets

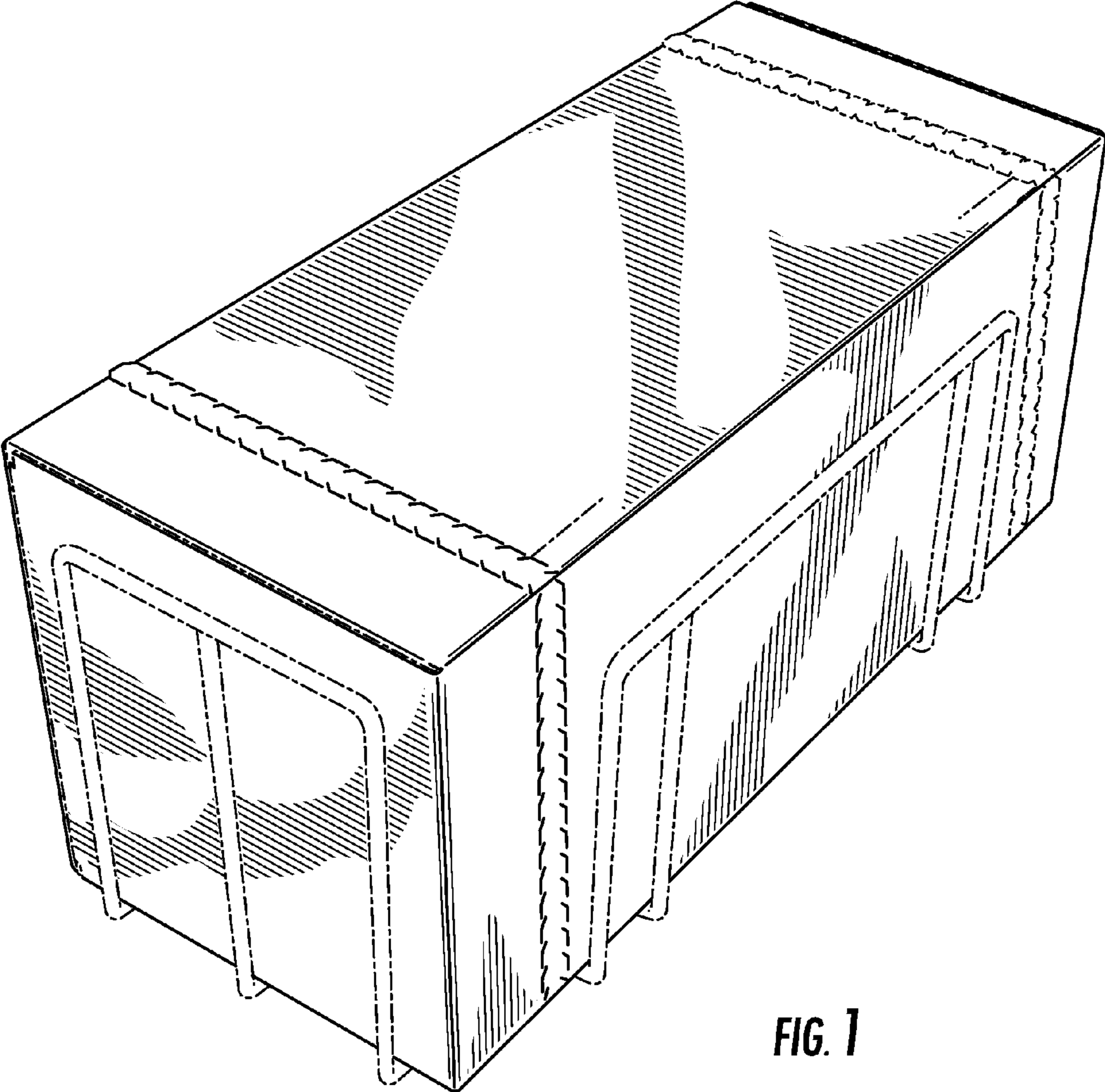


FIG. 1

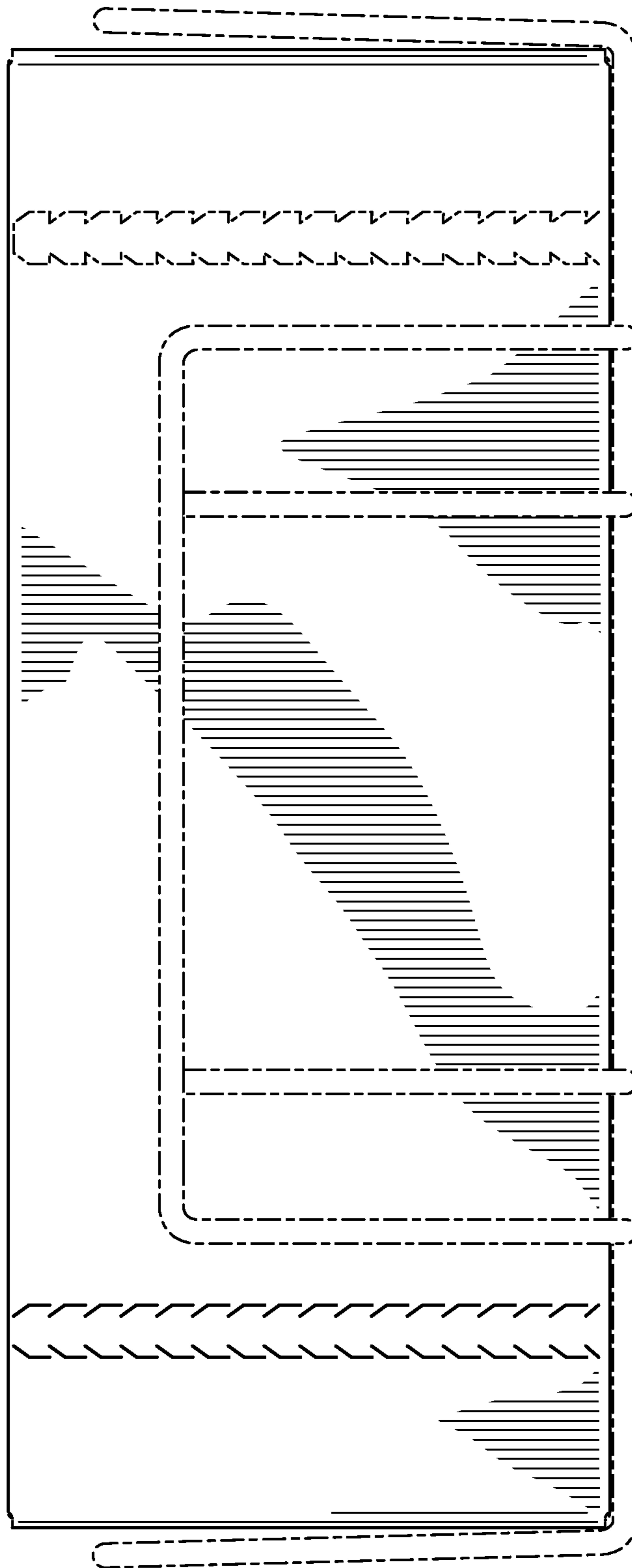


FIG. 2

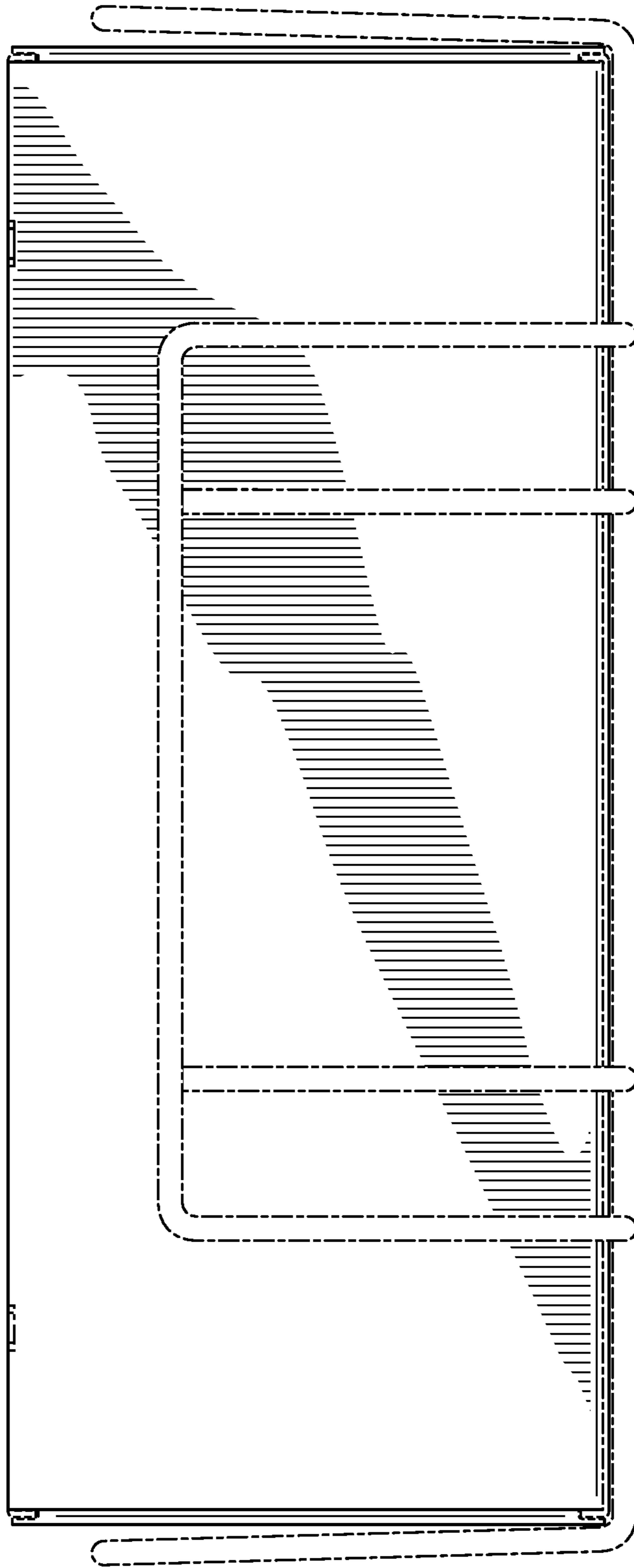


FIG. 3

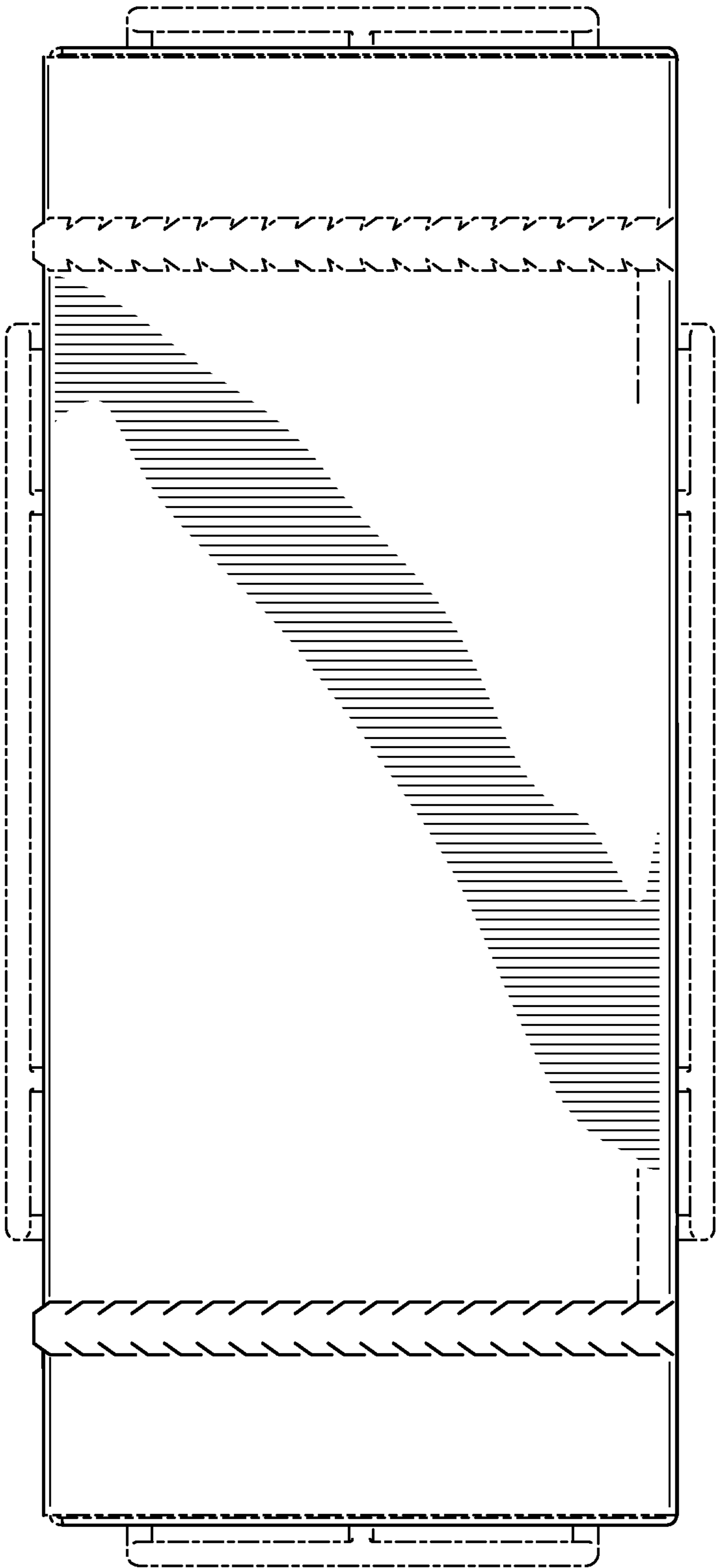


FIG. 4

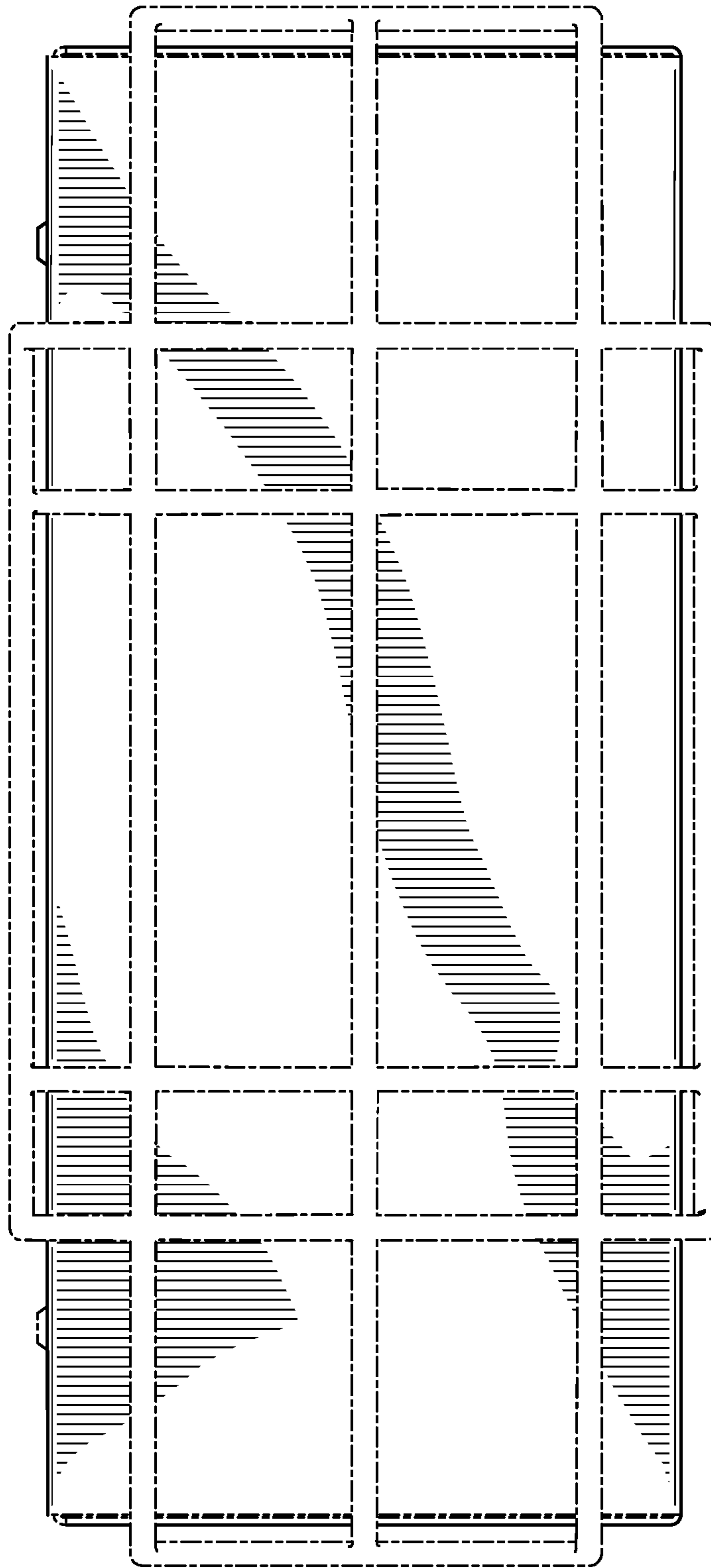


FIG. 5

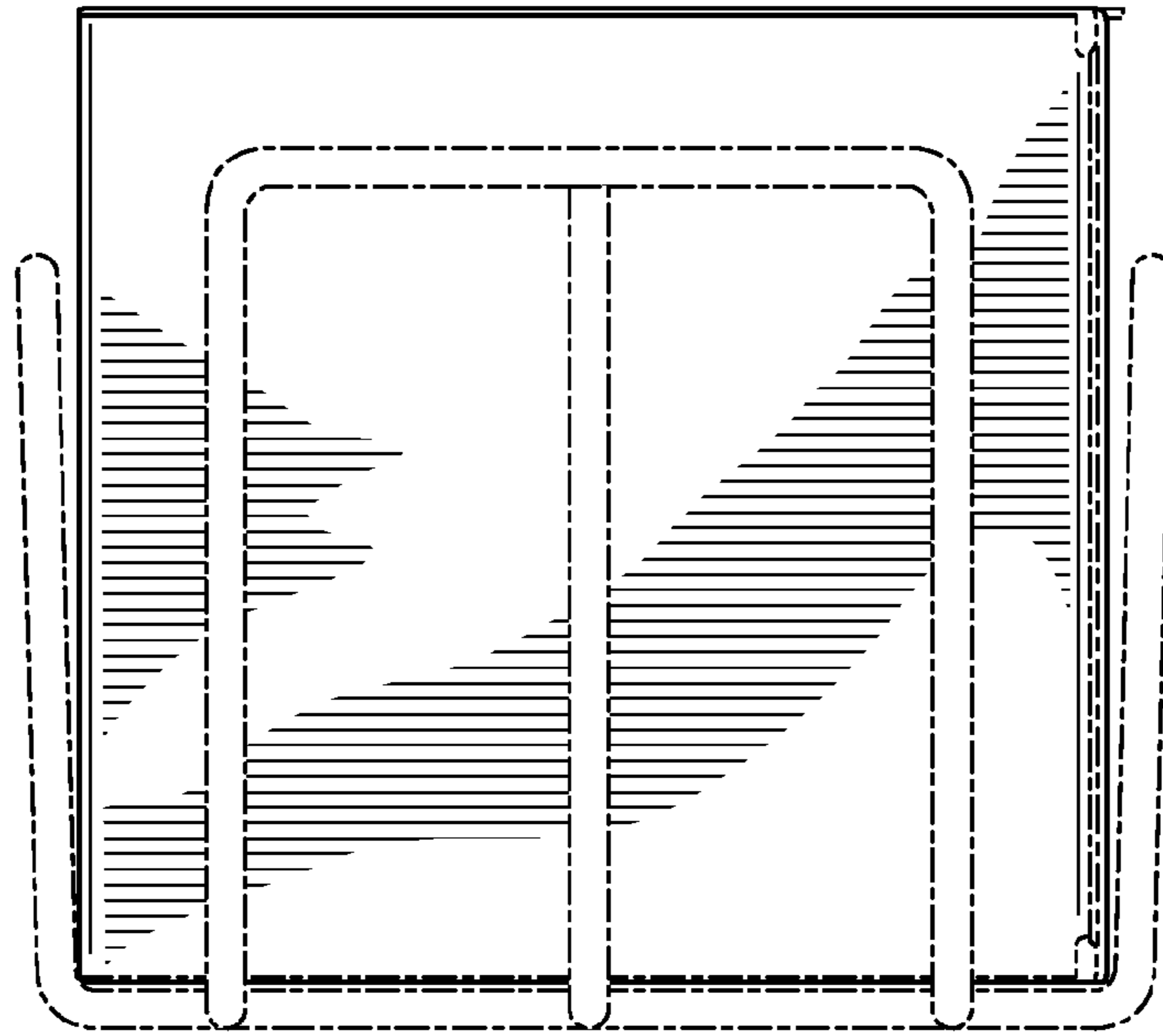


FIG. 6

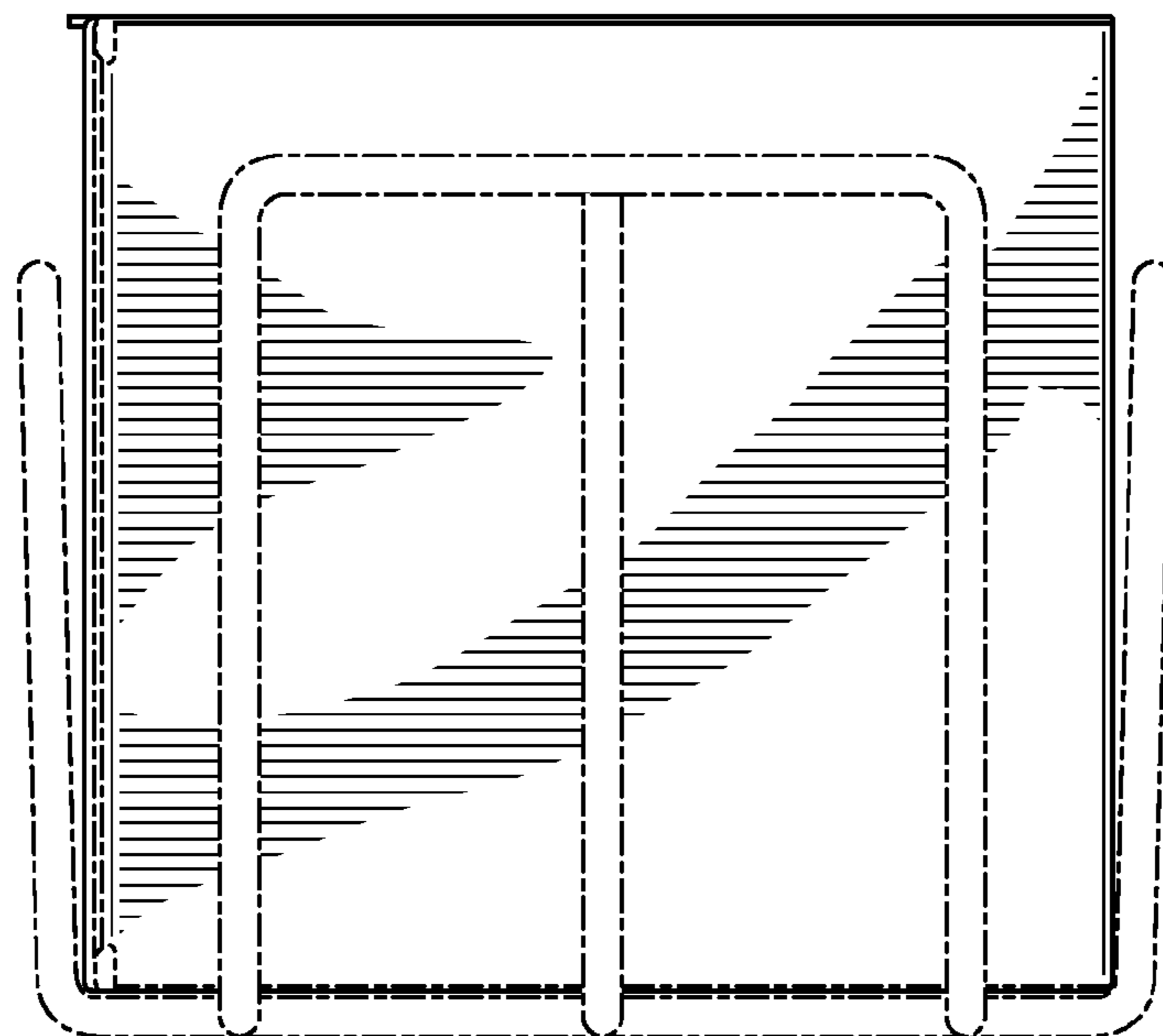


FIG. 7

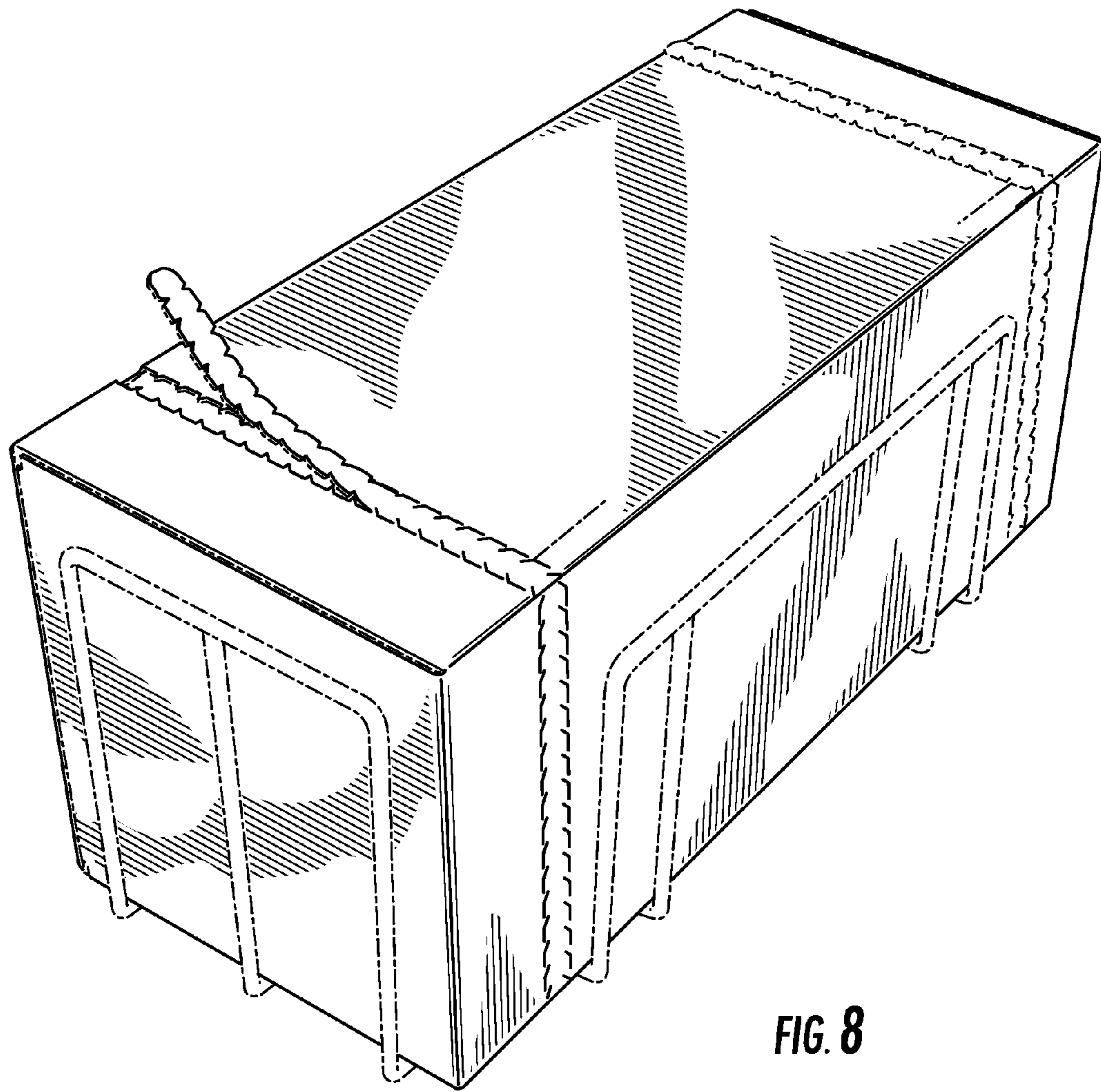


FIG. 8

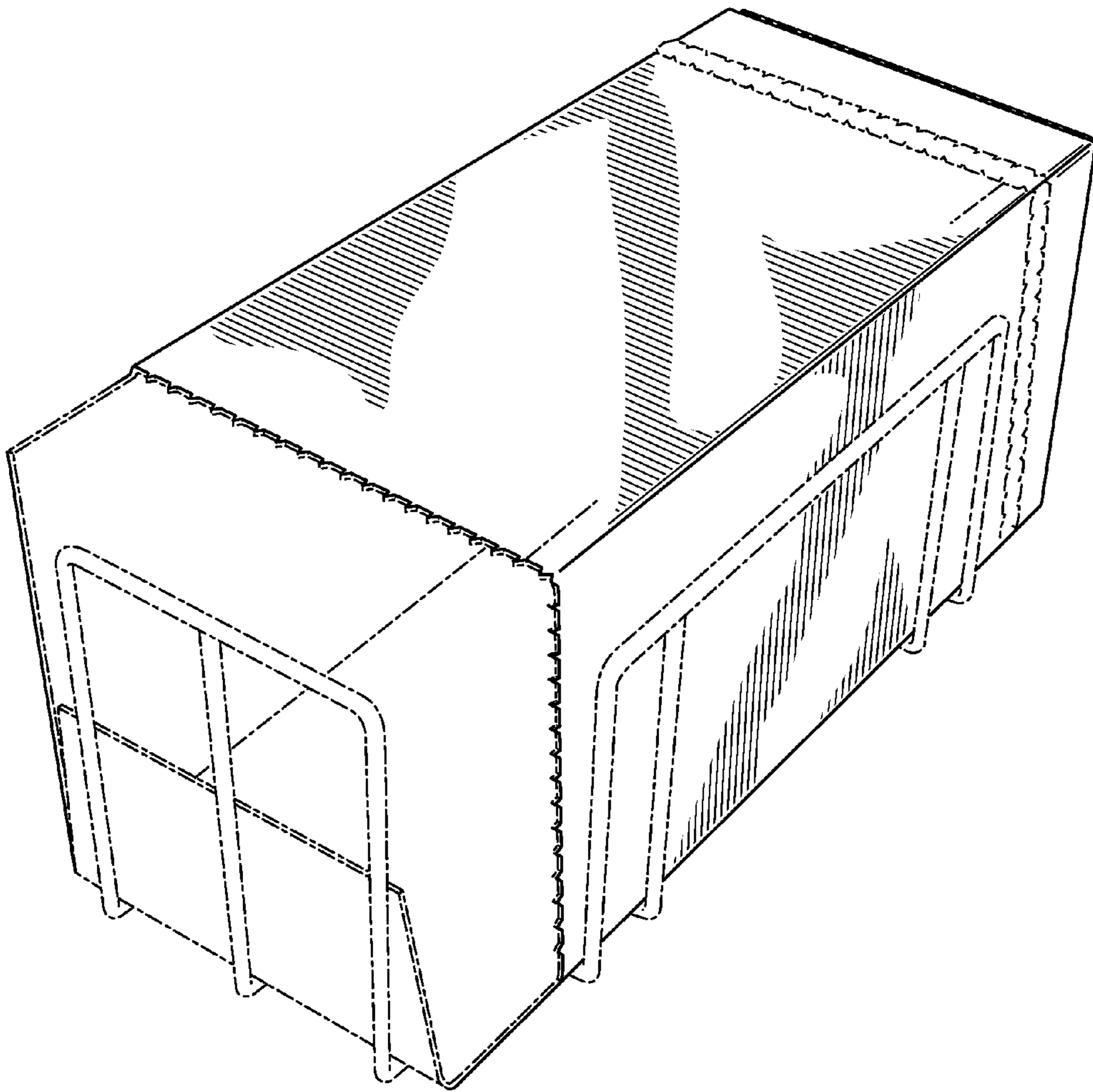


FIG. 9

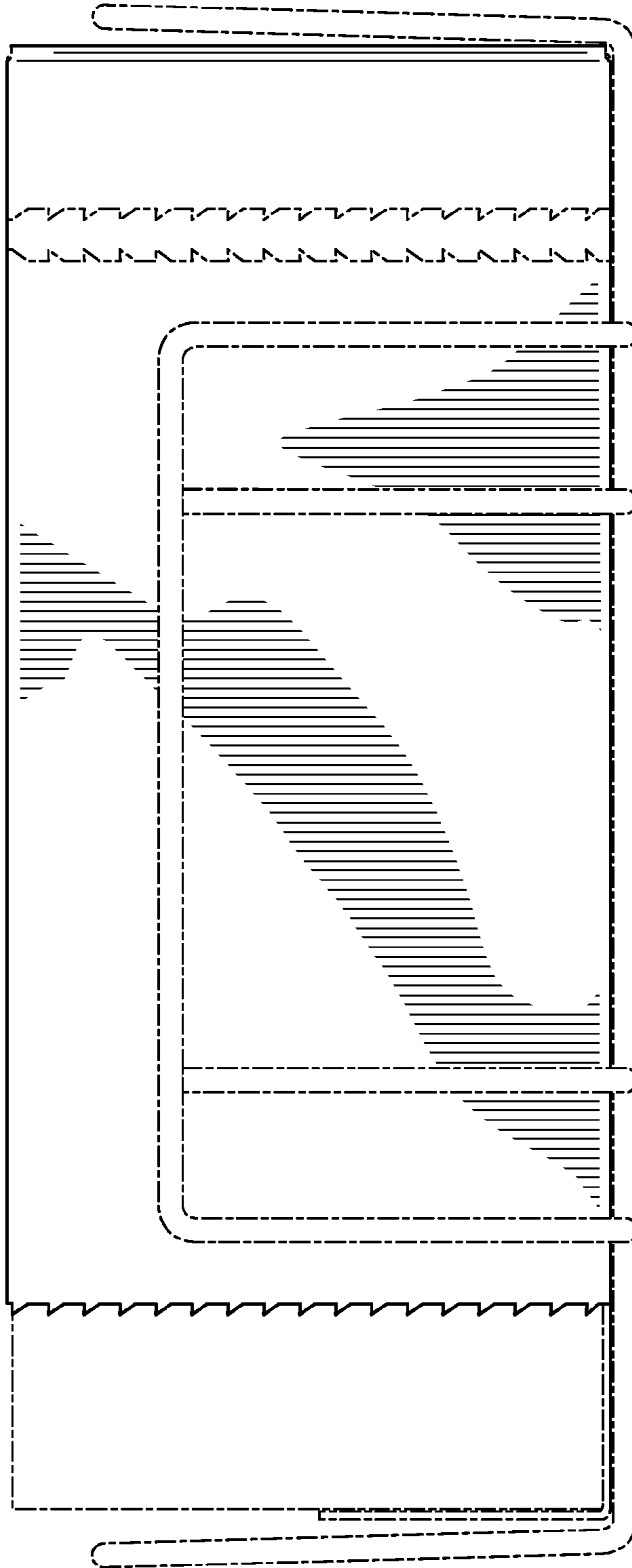


FIG. 10

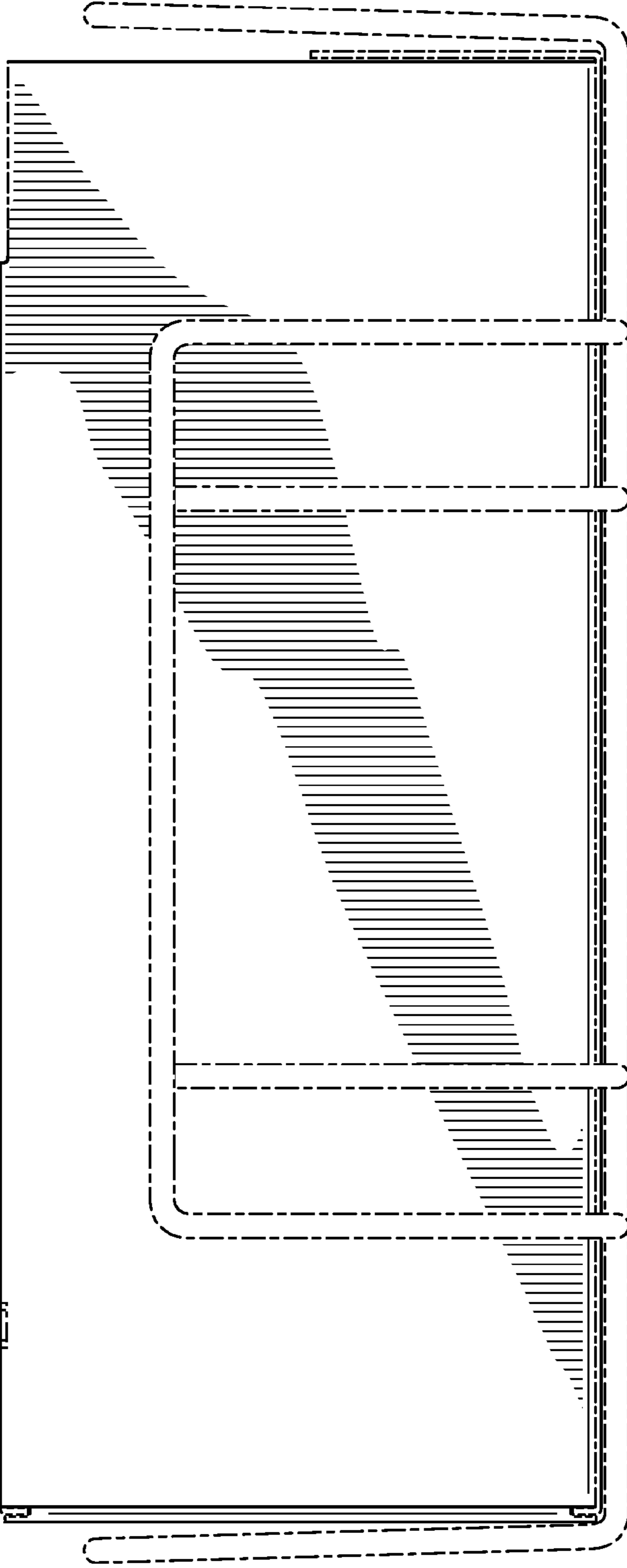


FIG. 11



FIG. 12

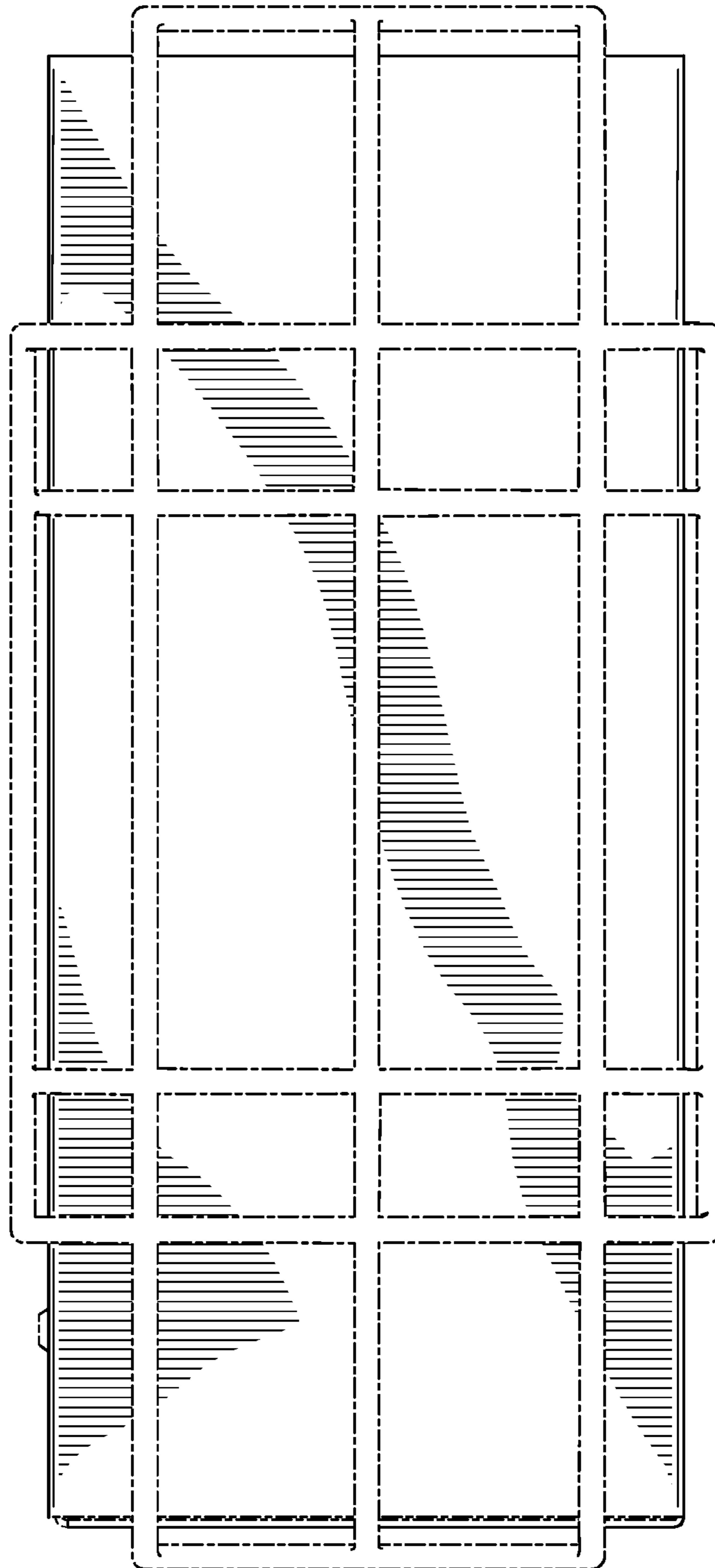


FIG. 13

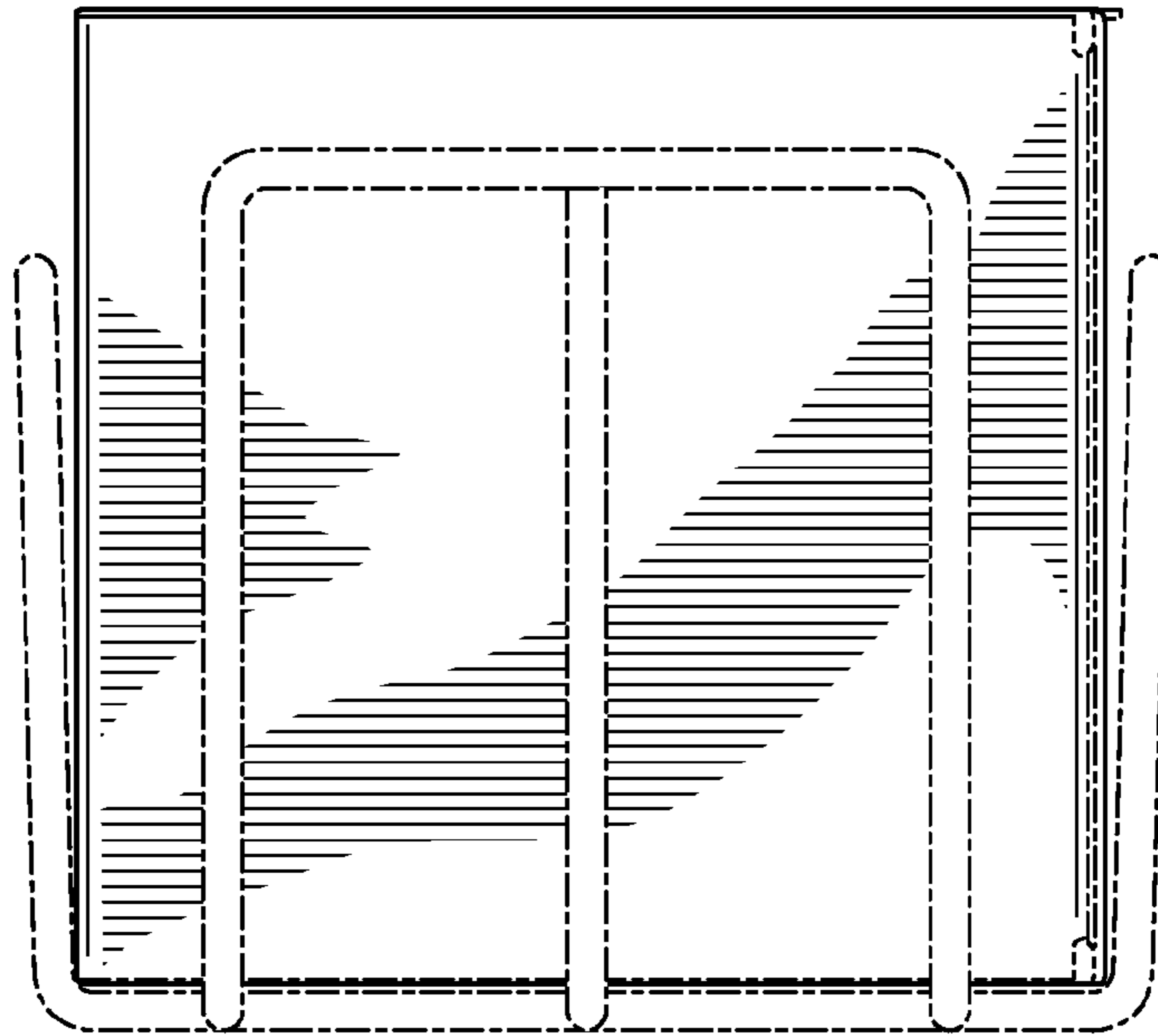


FIG. 14

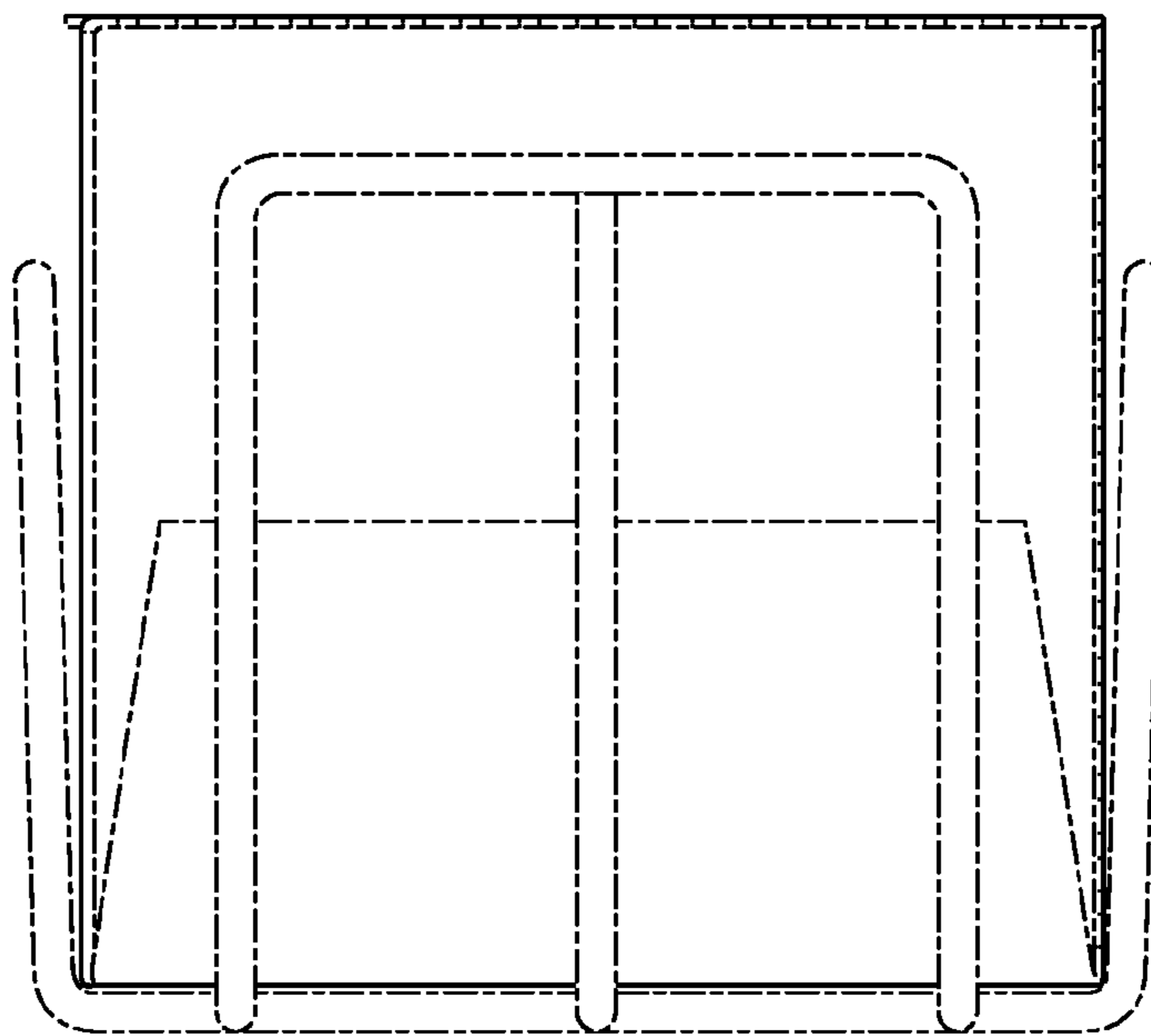


FIG. 15

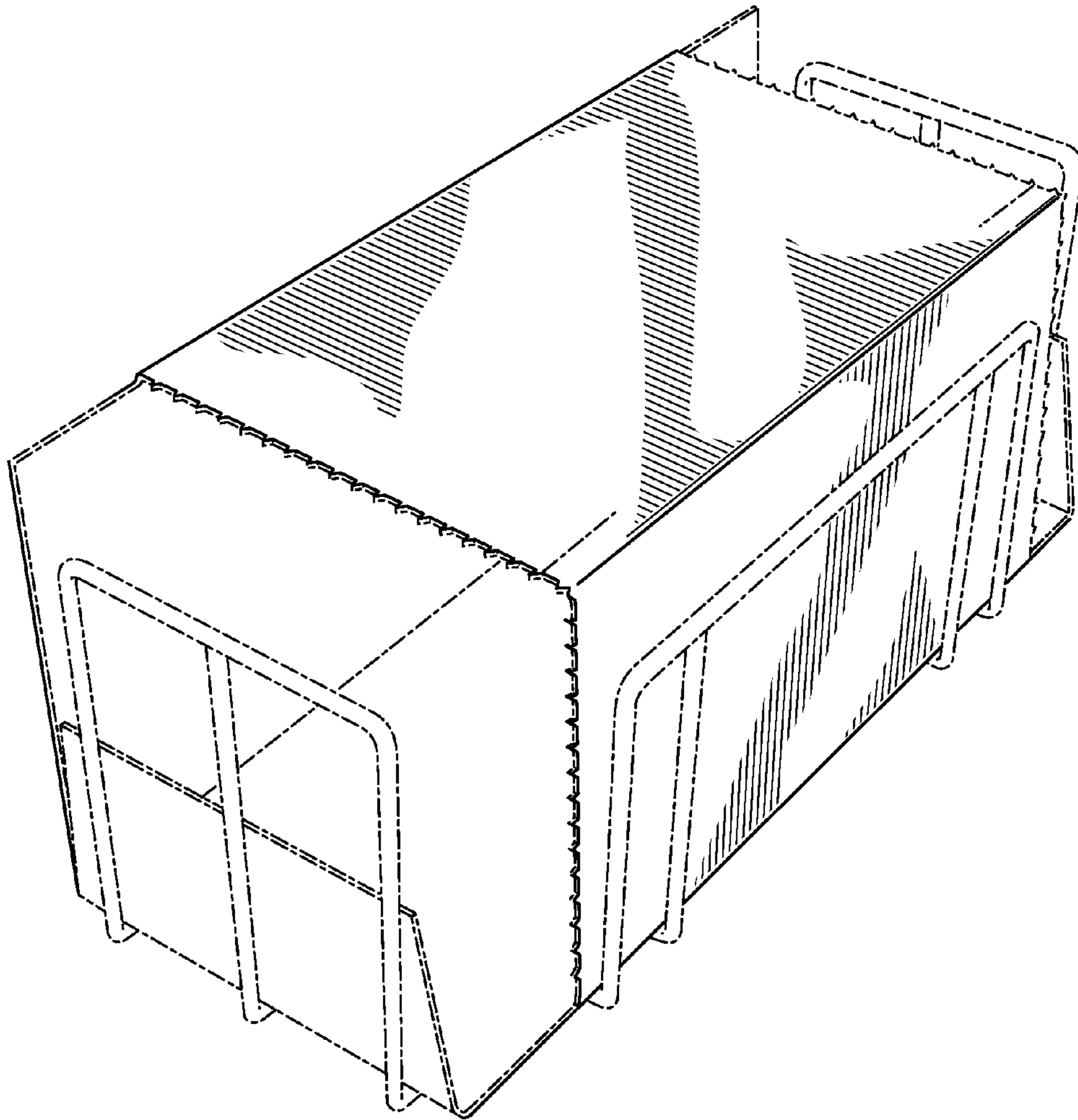


FIG. 16

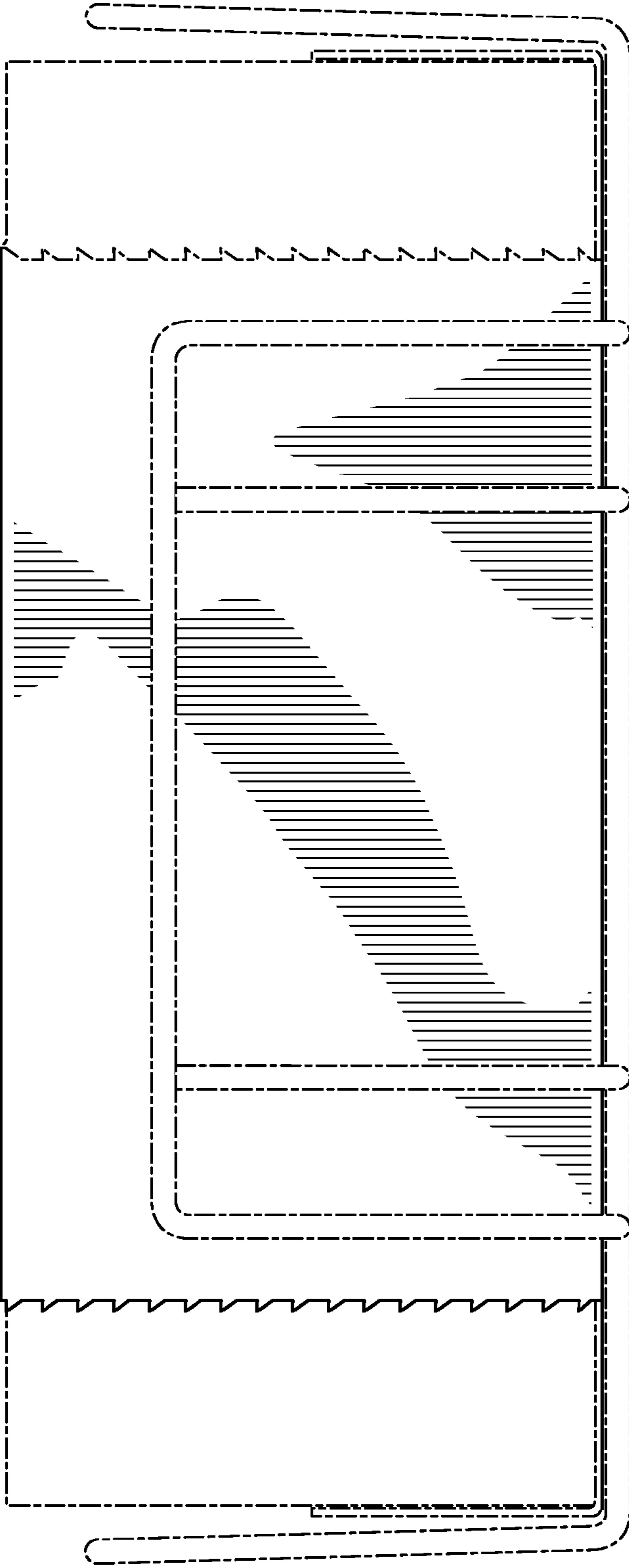


FIG. 17

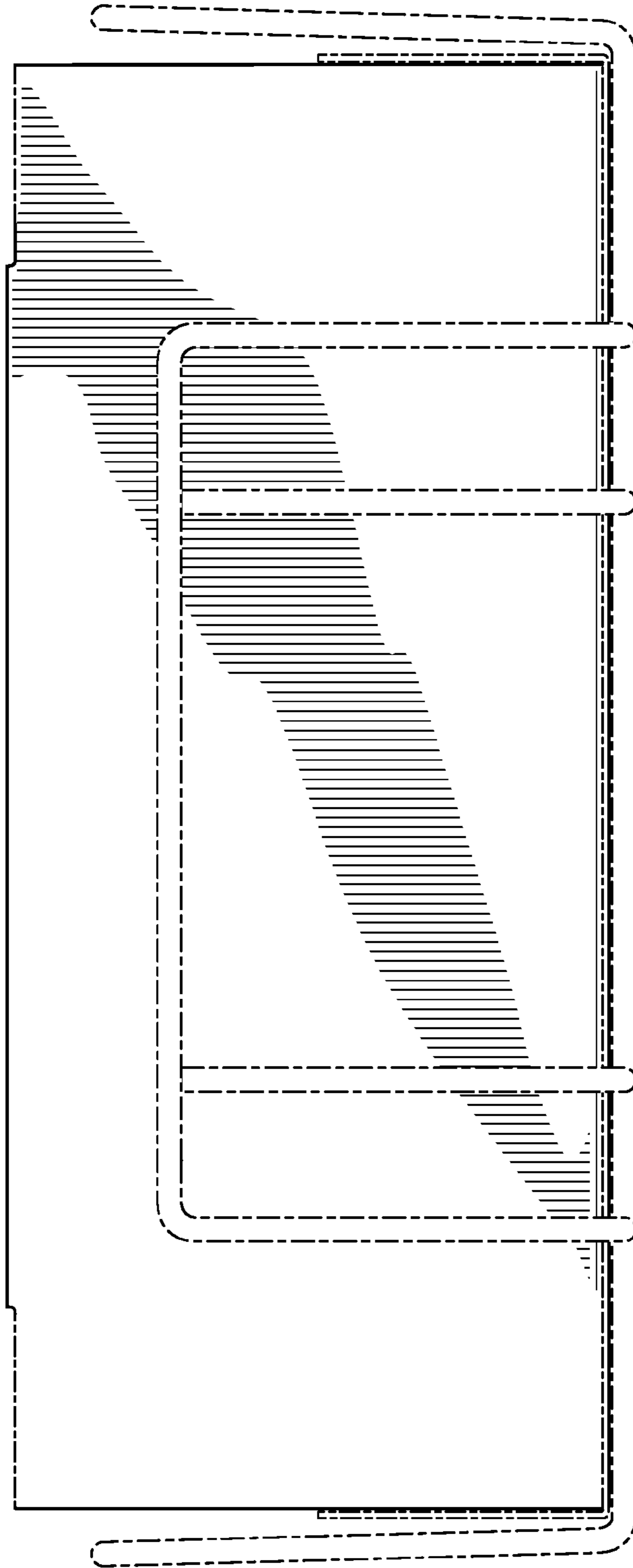


FIG. 18

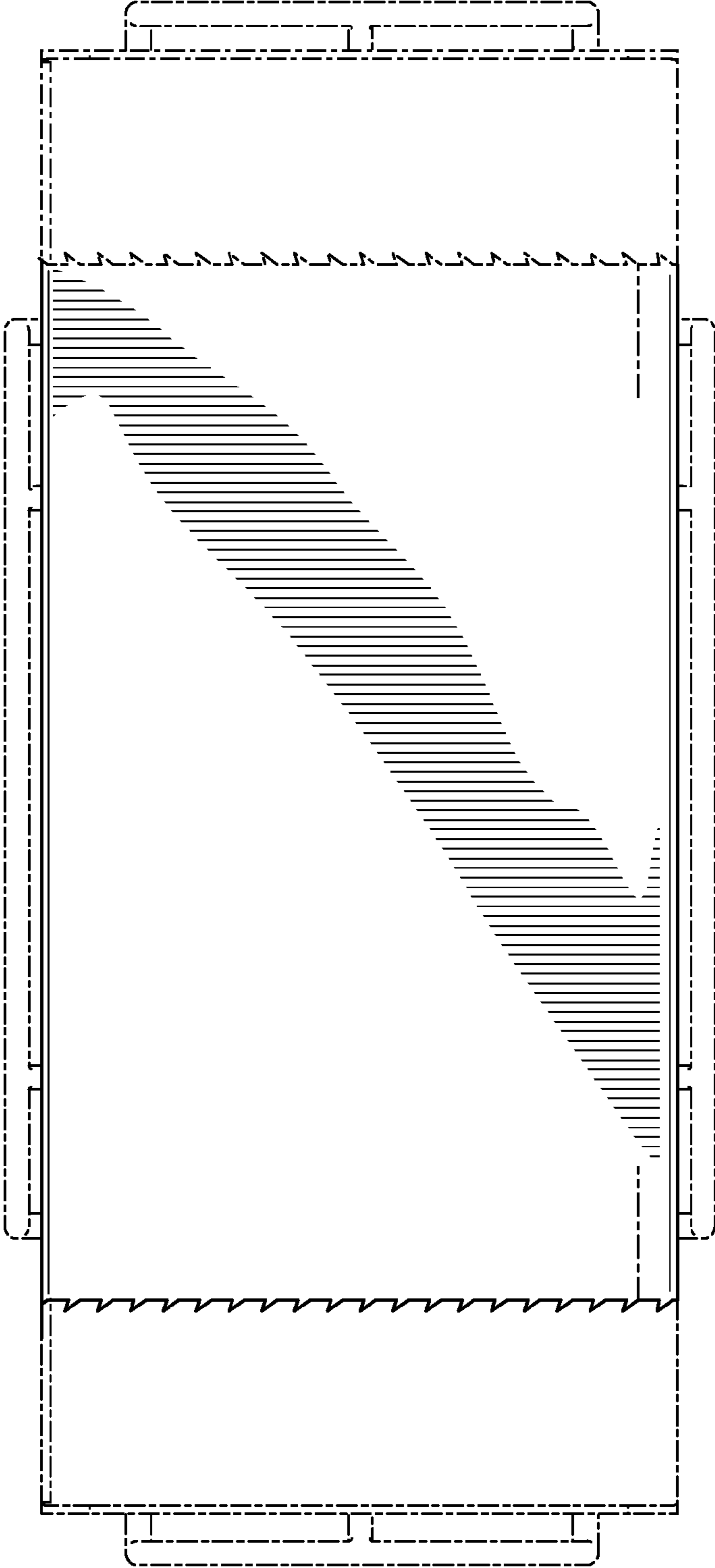


FIG. 19

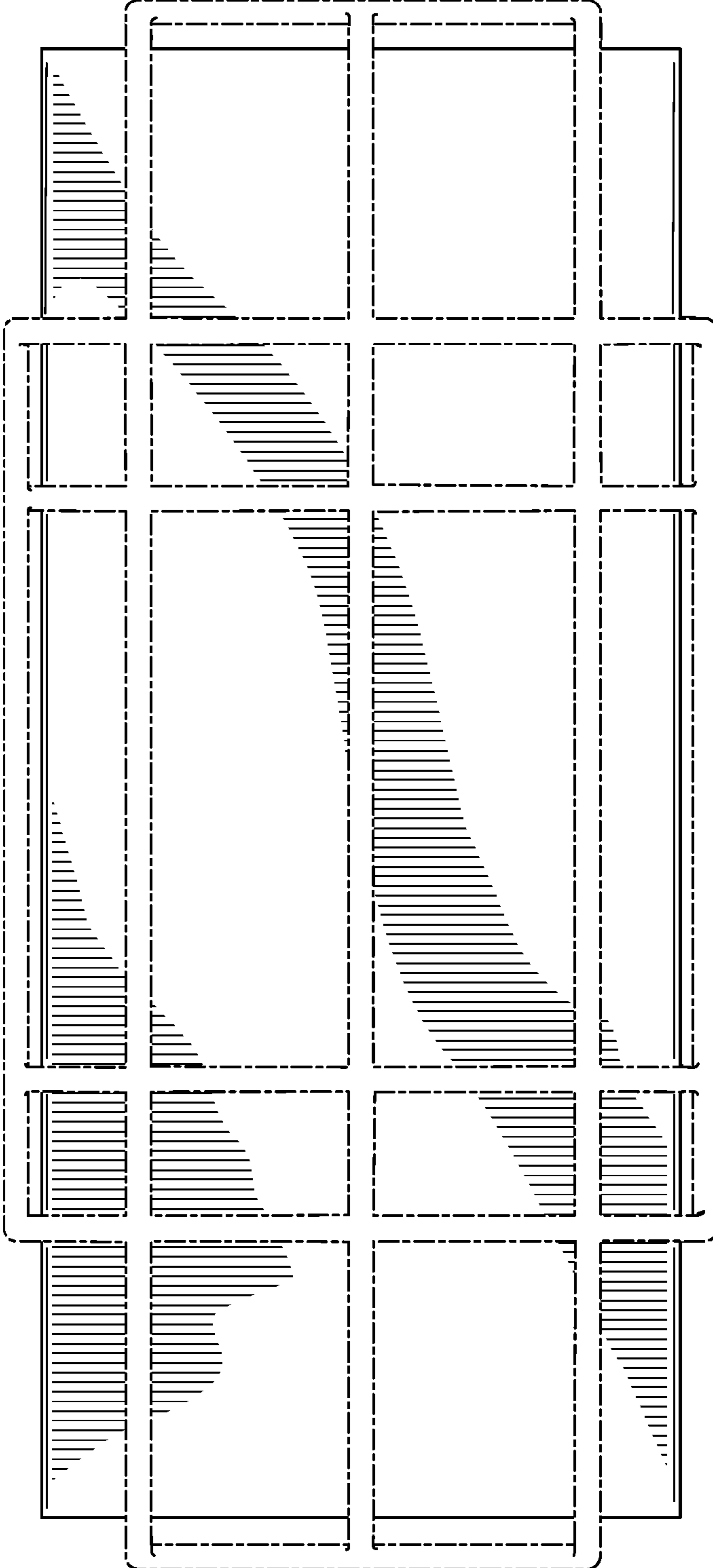


FIG. 20

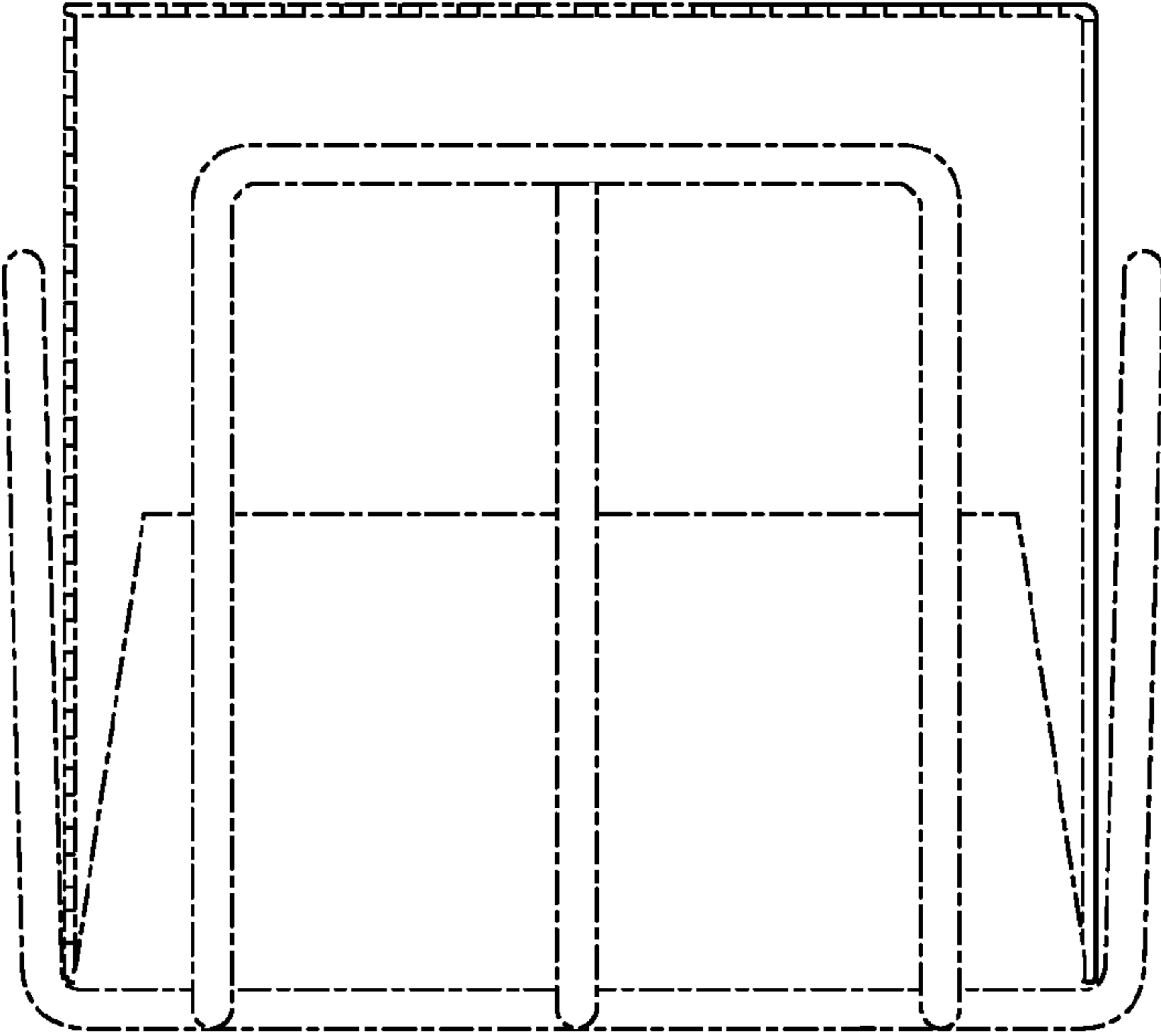


FIG. 21

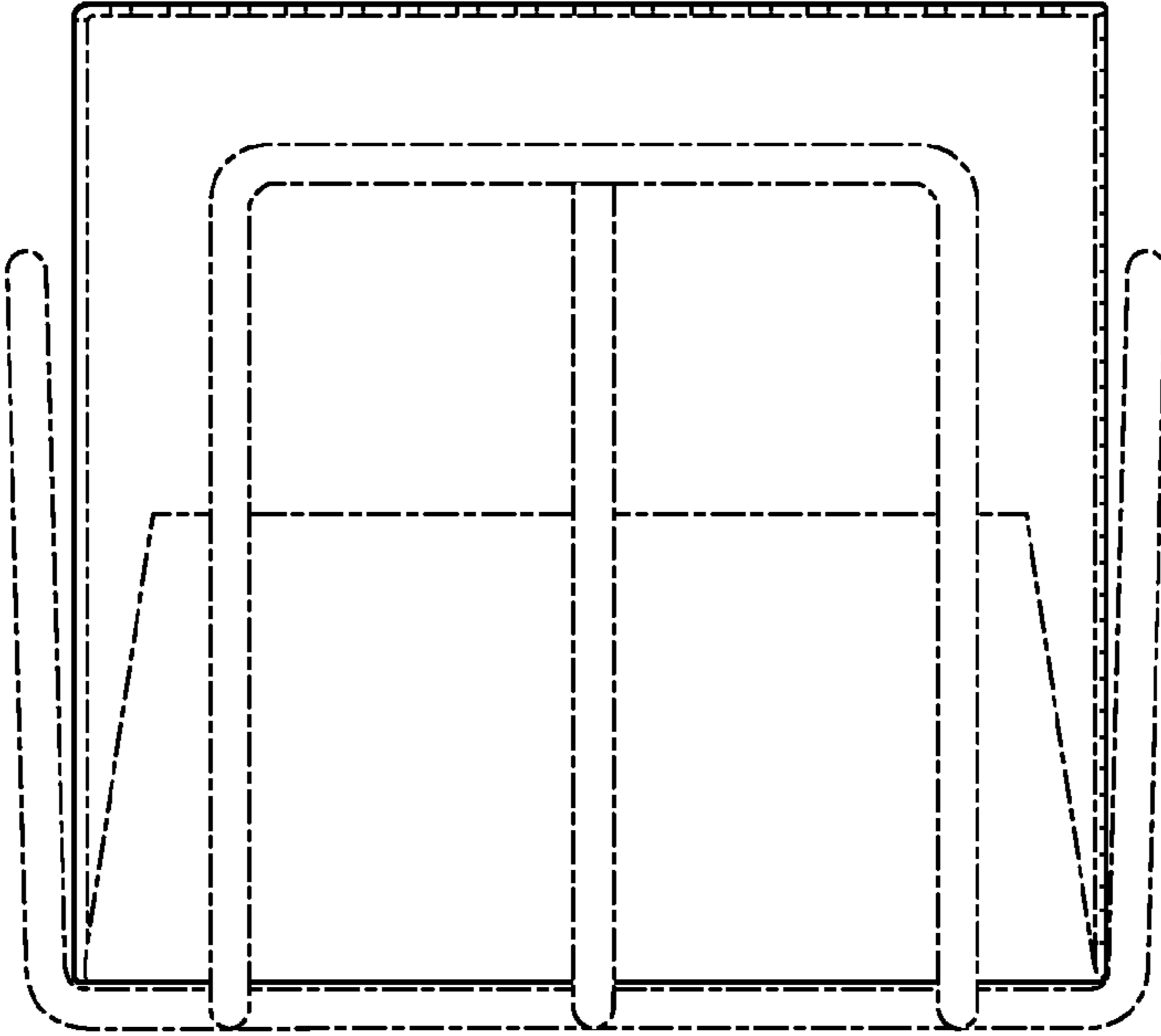


FIG. 22

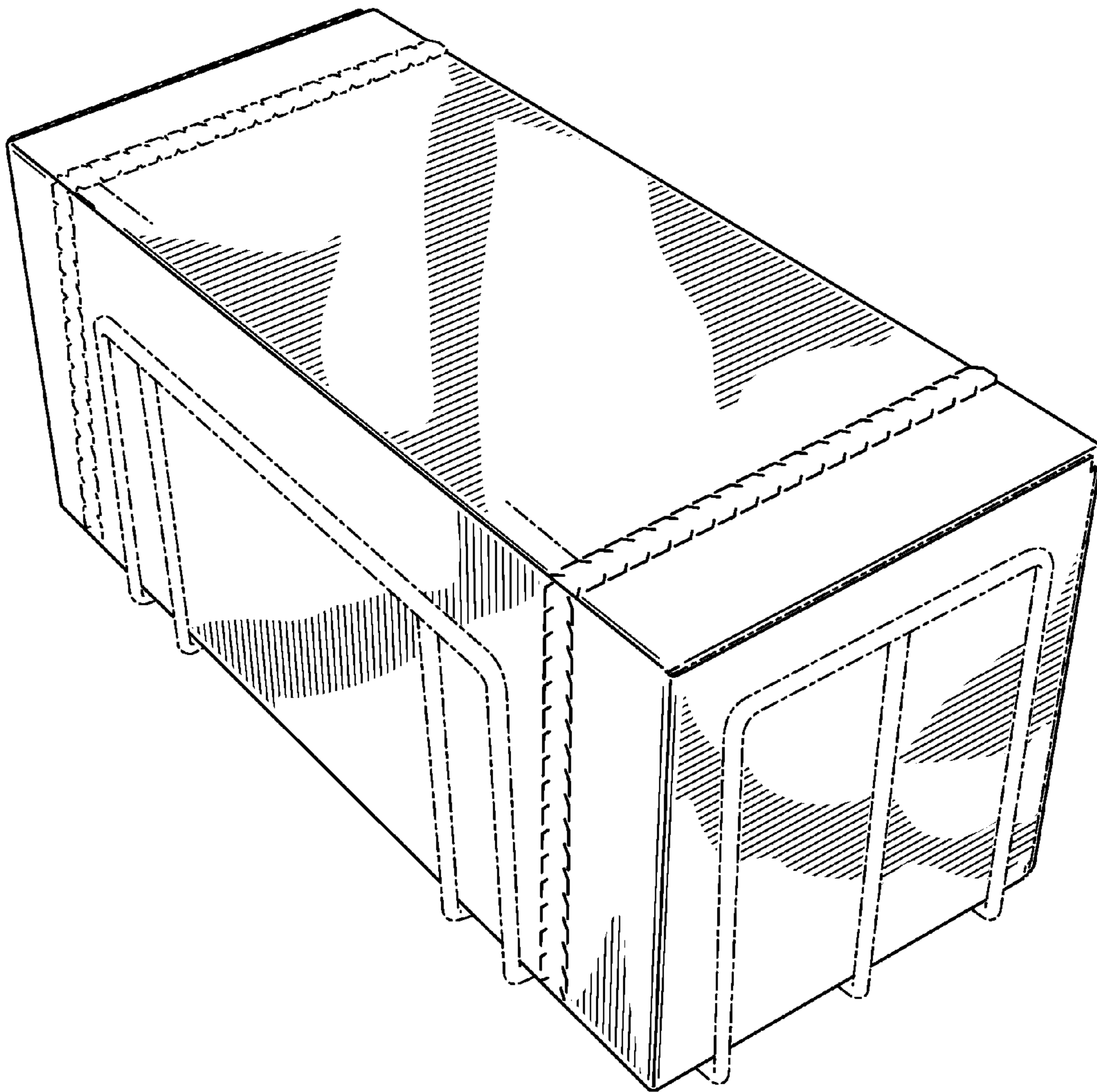


FIG. 23



FIG. 24

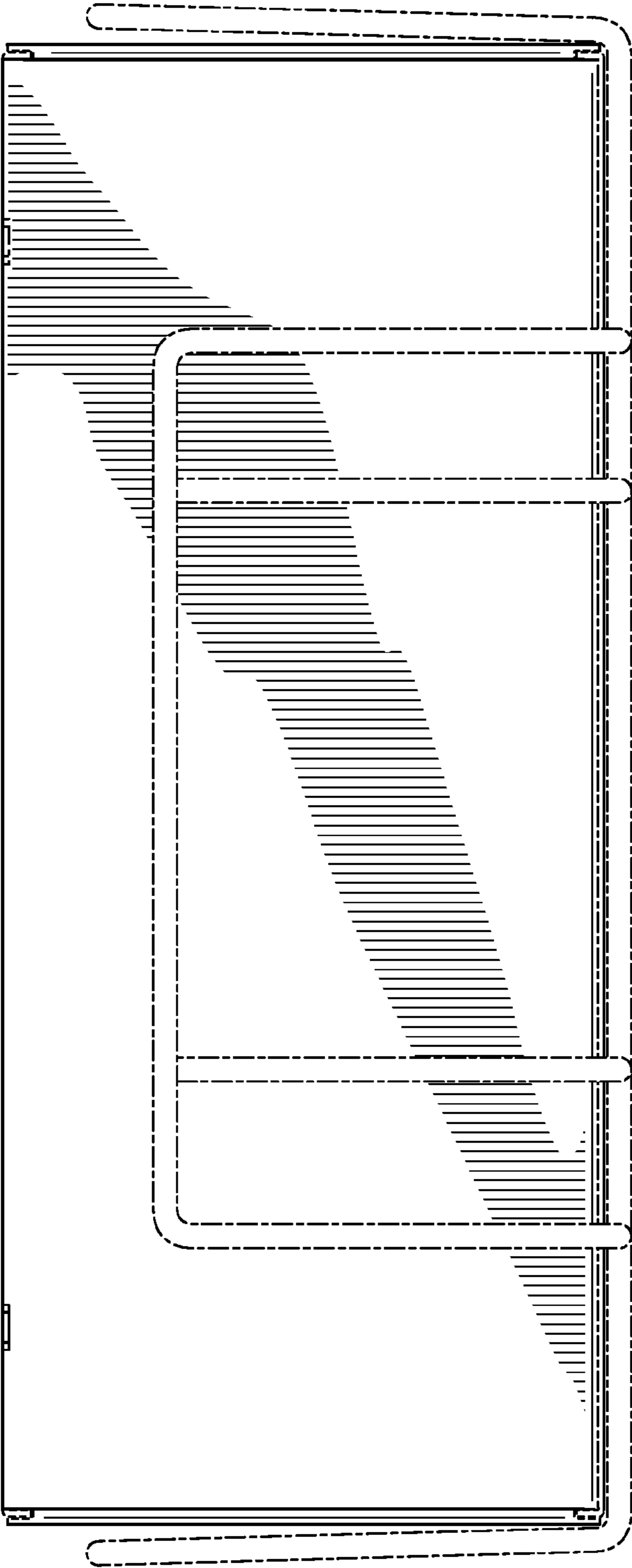


FIG. 25

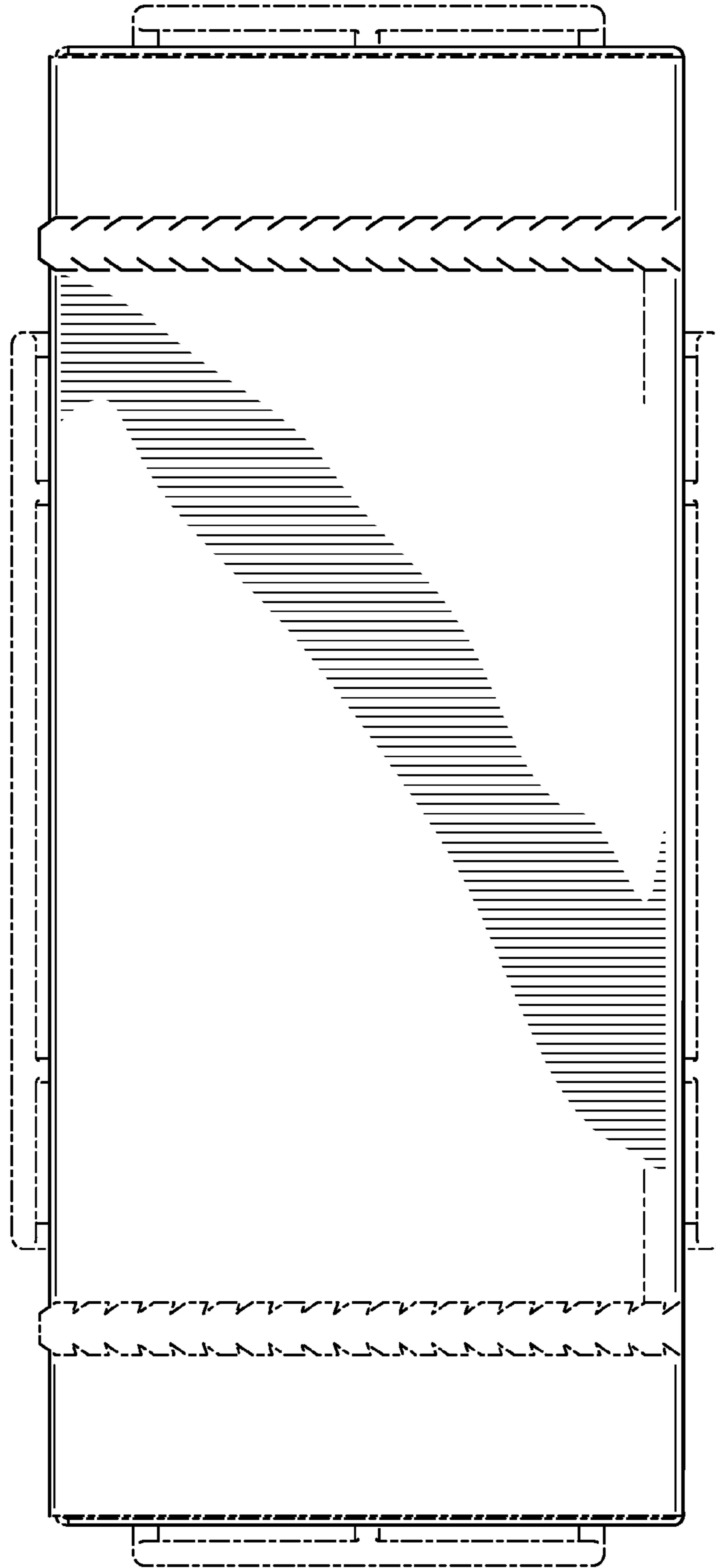


FIG. 26

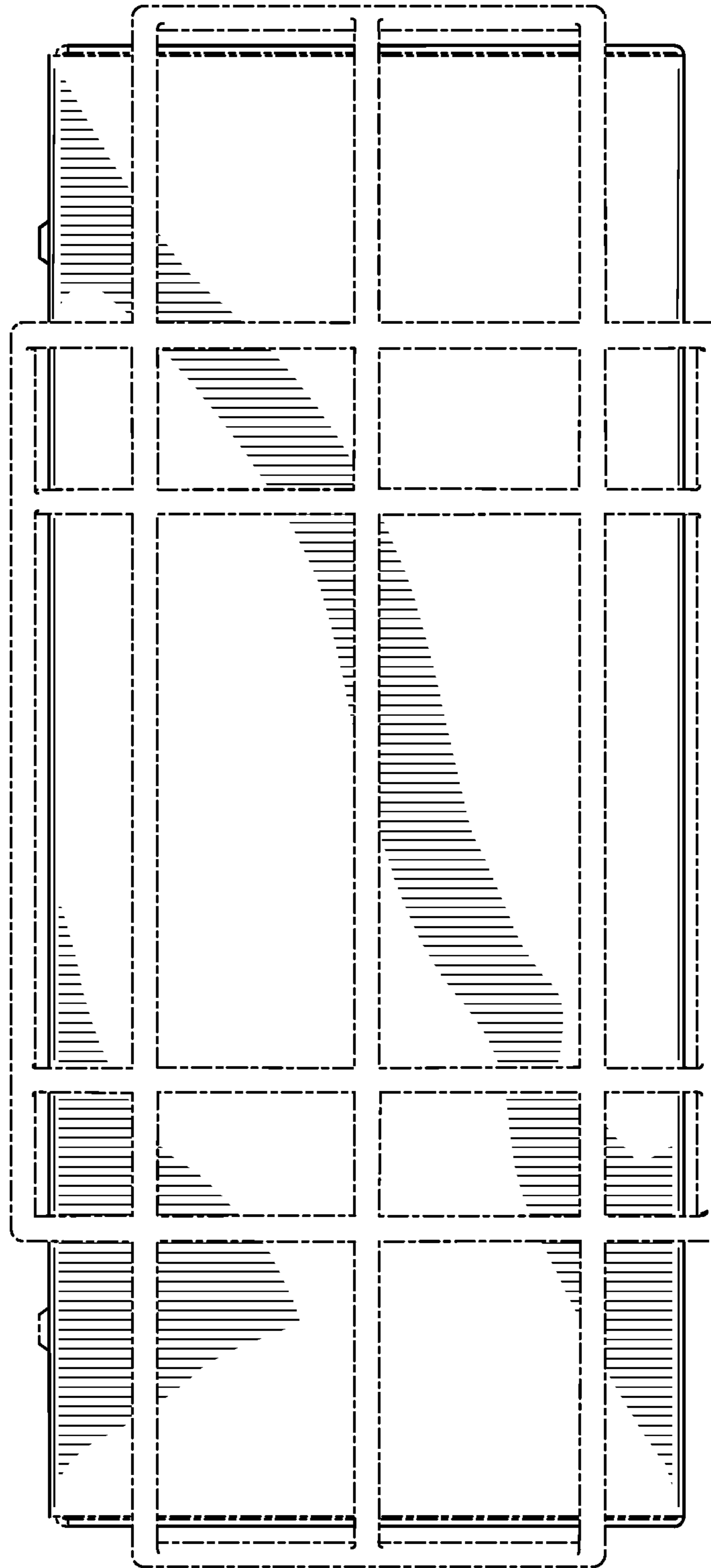


FIG. 27

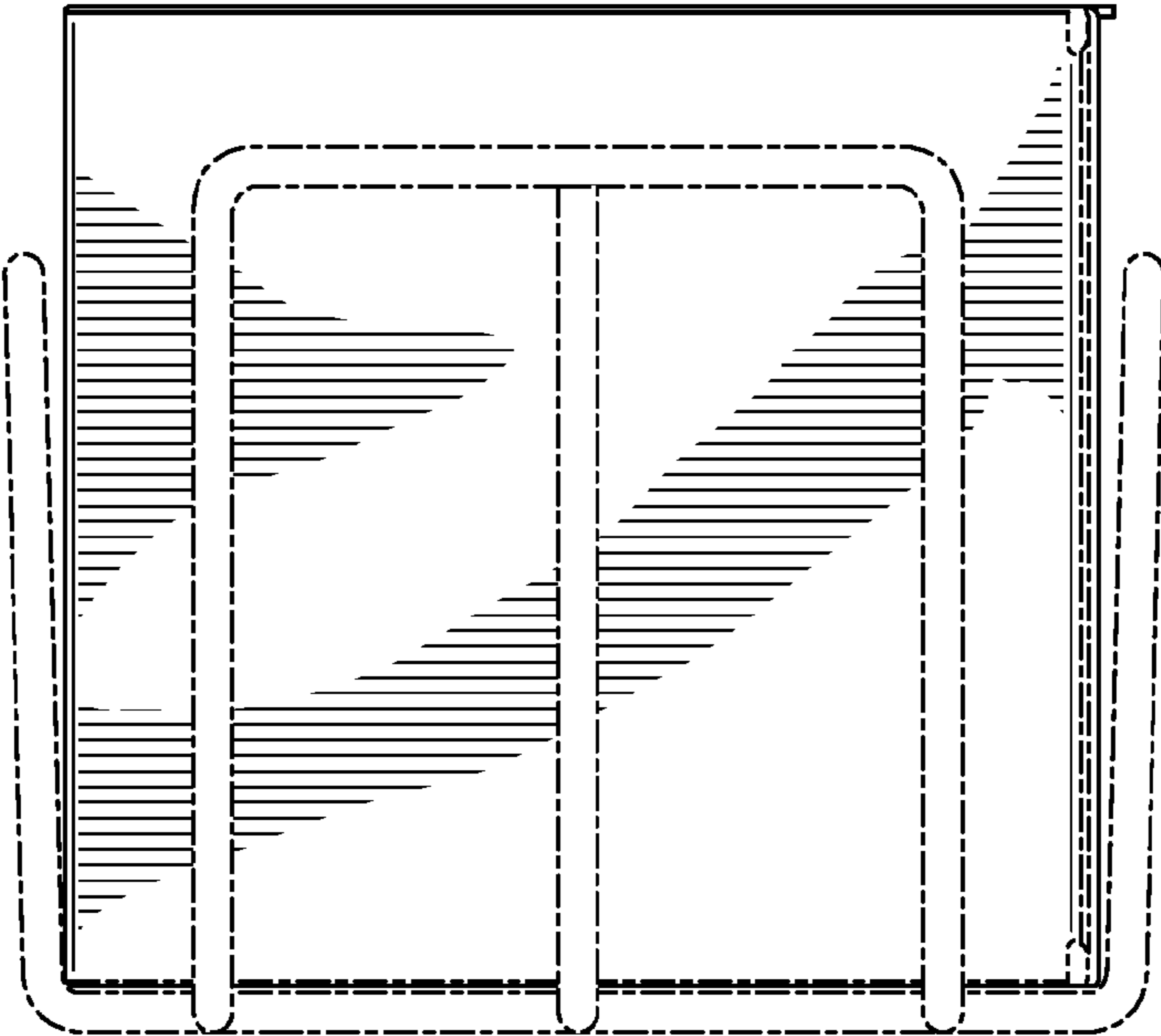


FIG. 28

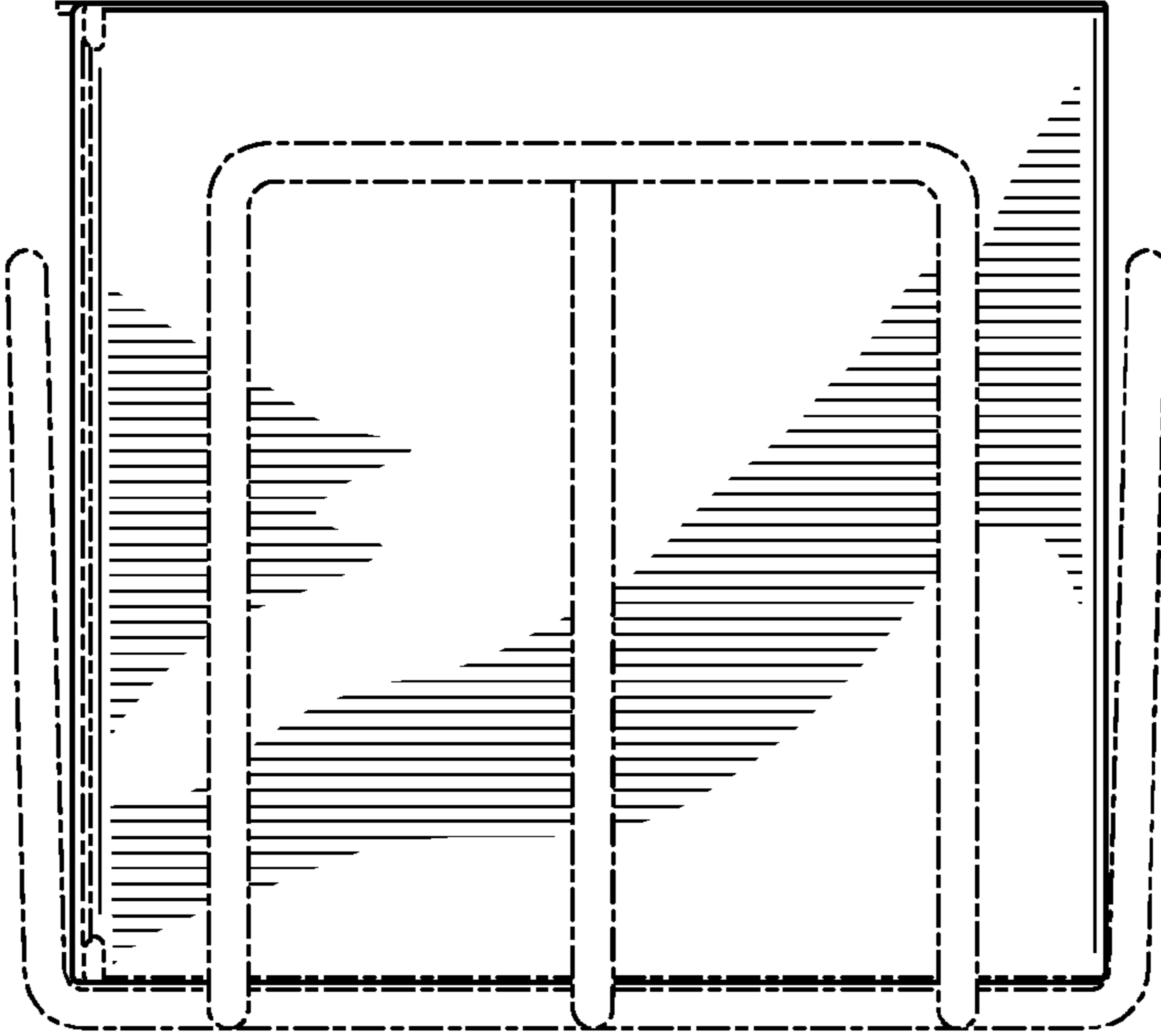


FIG. 29

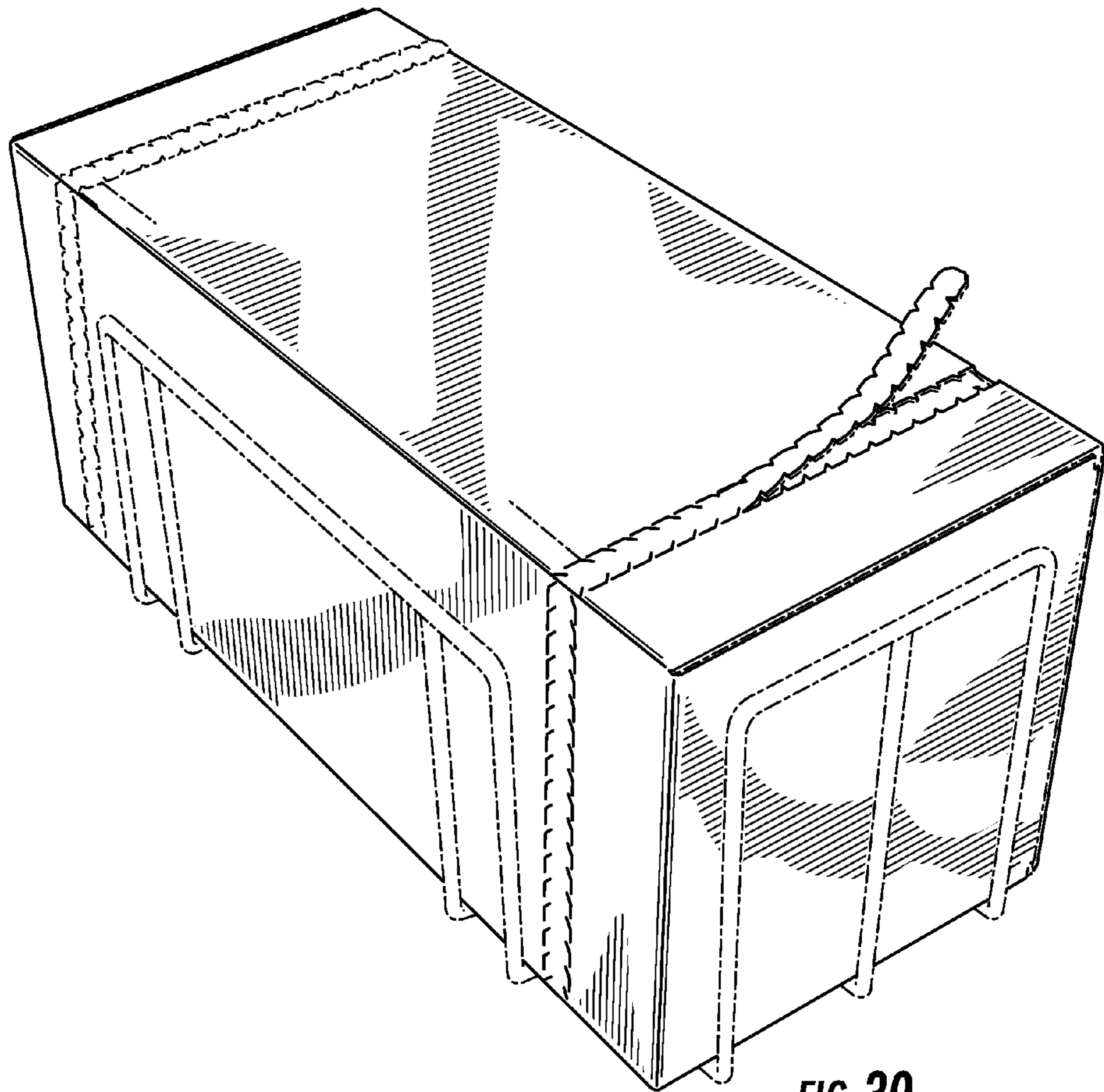


FIG. 30

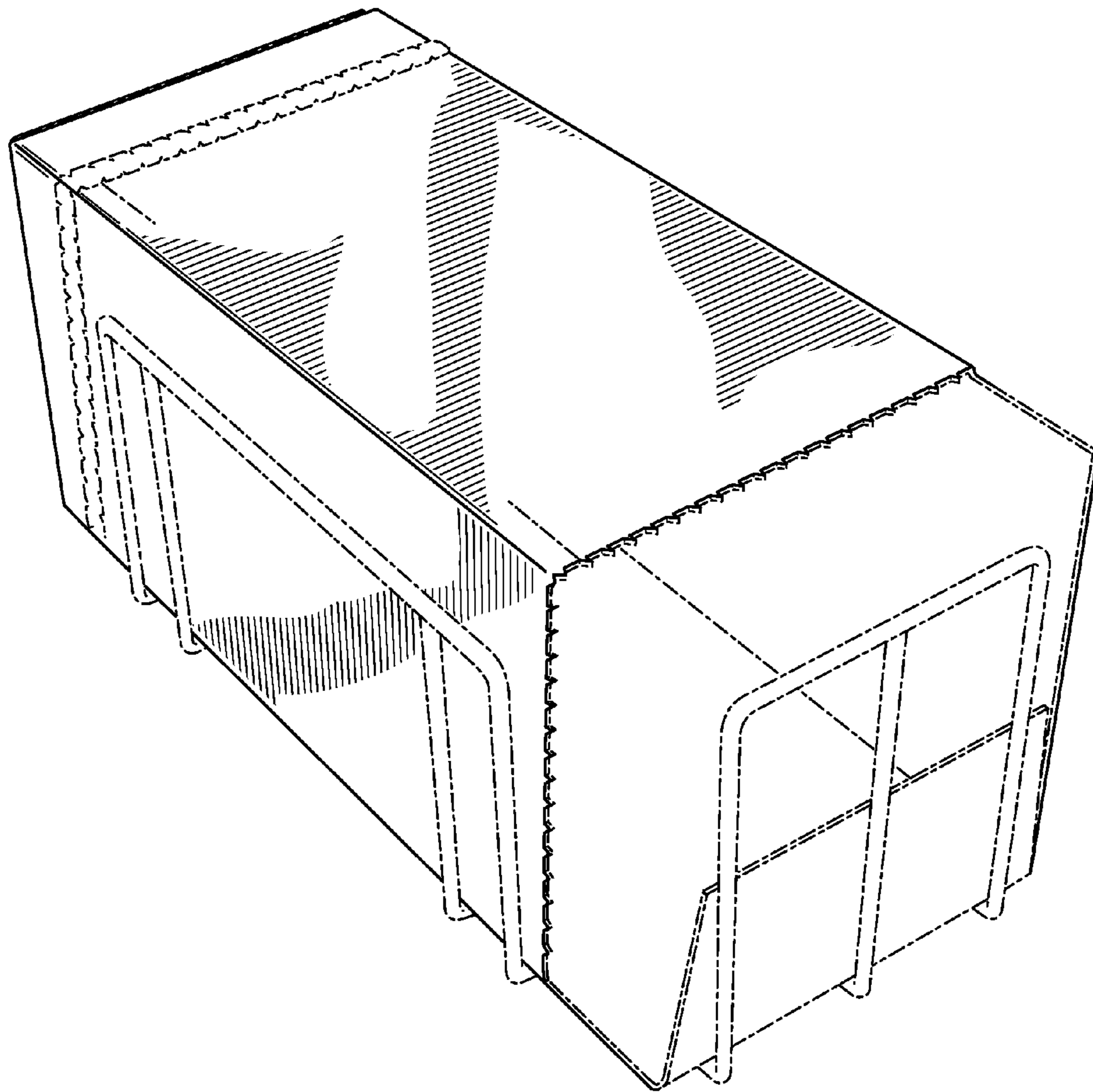


FIG. 31

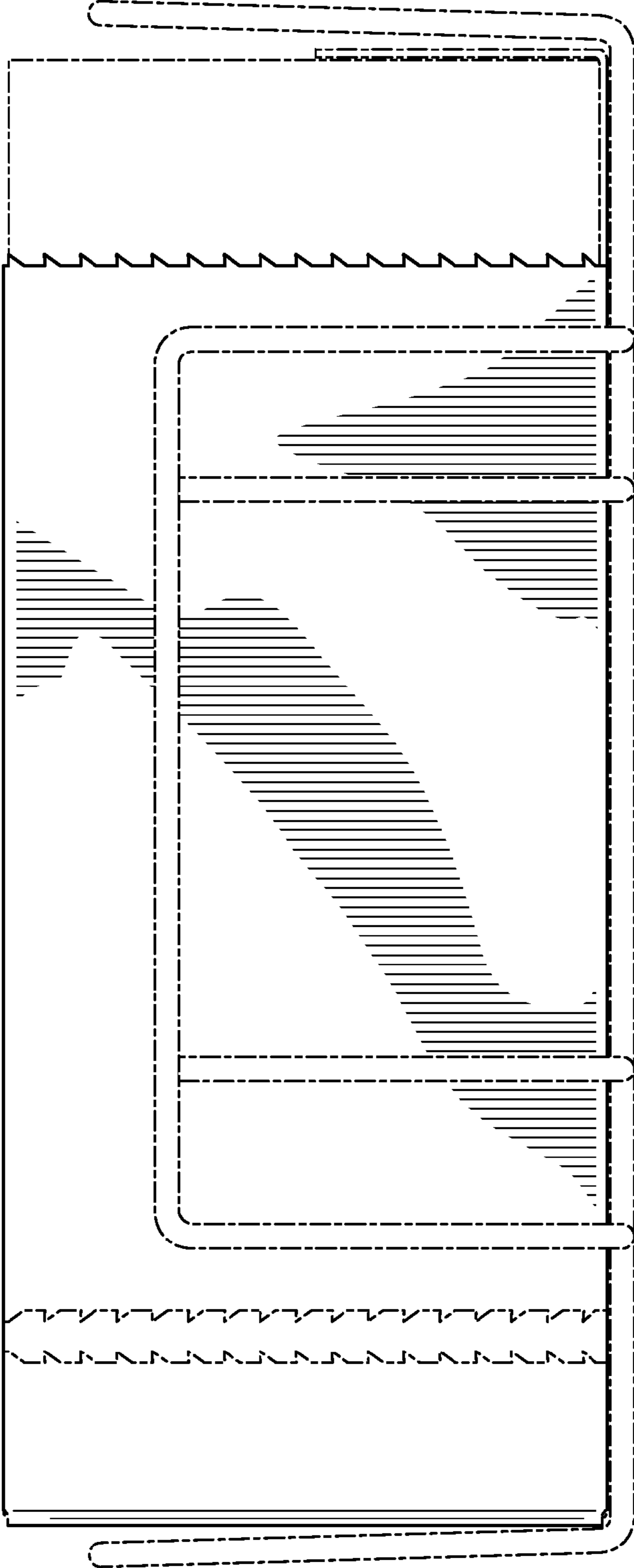


FIG. 32

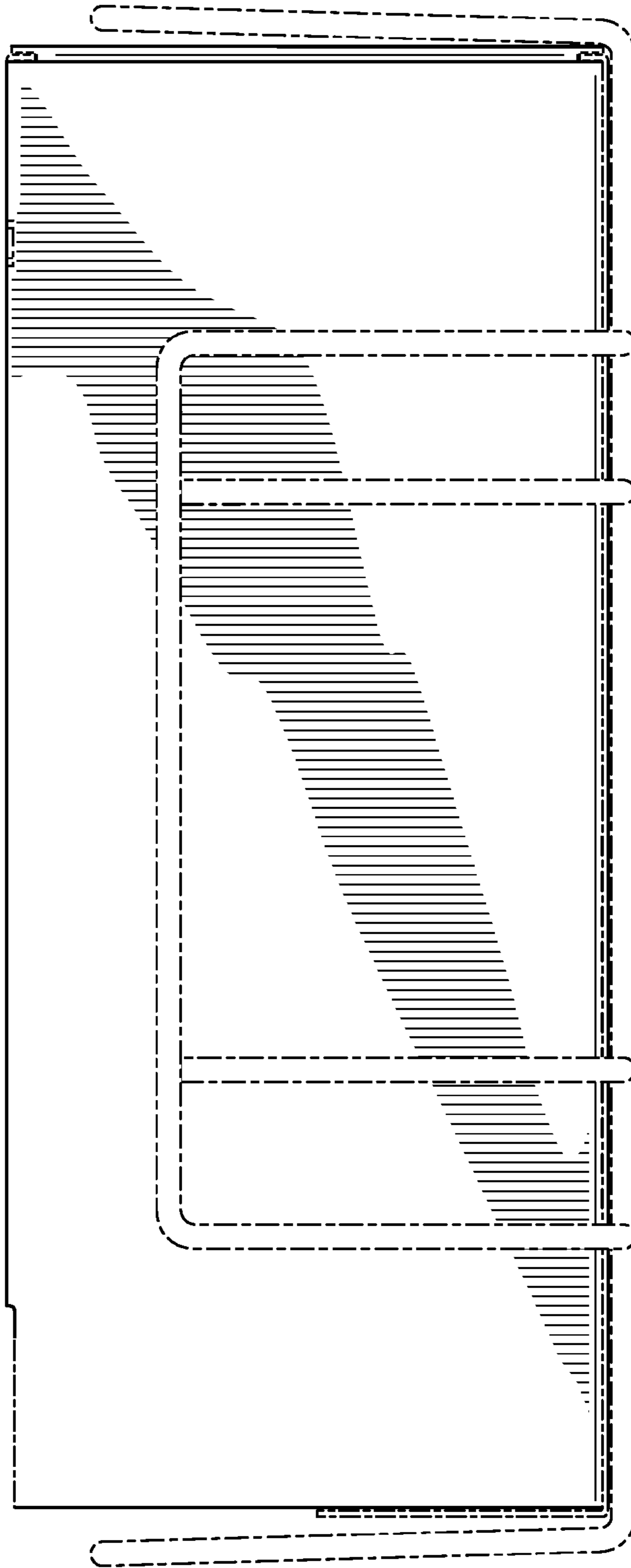


FIG. 33

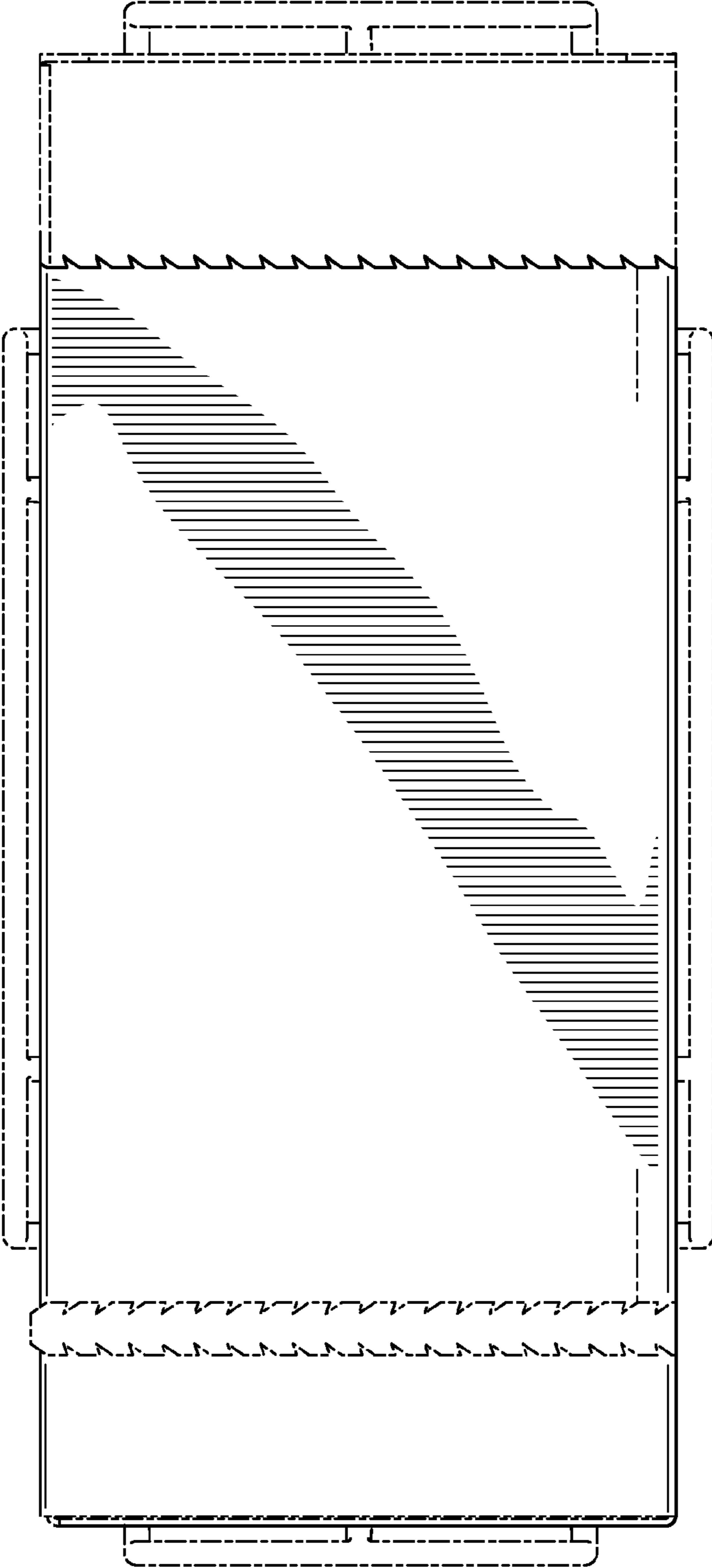


FIG. 34

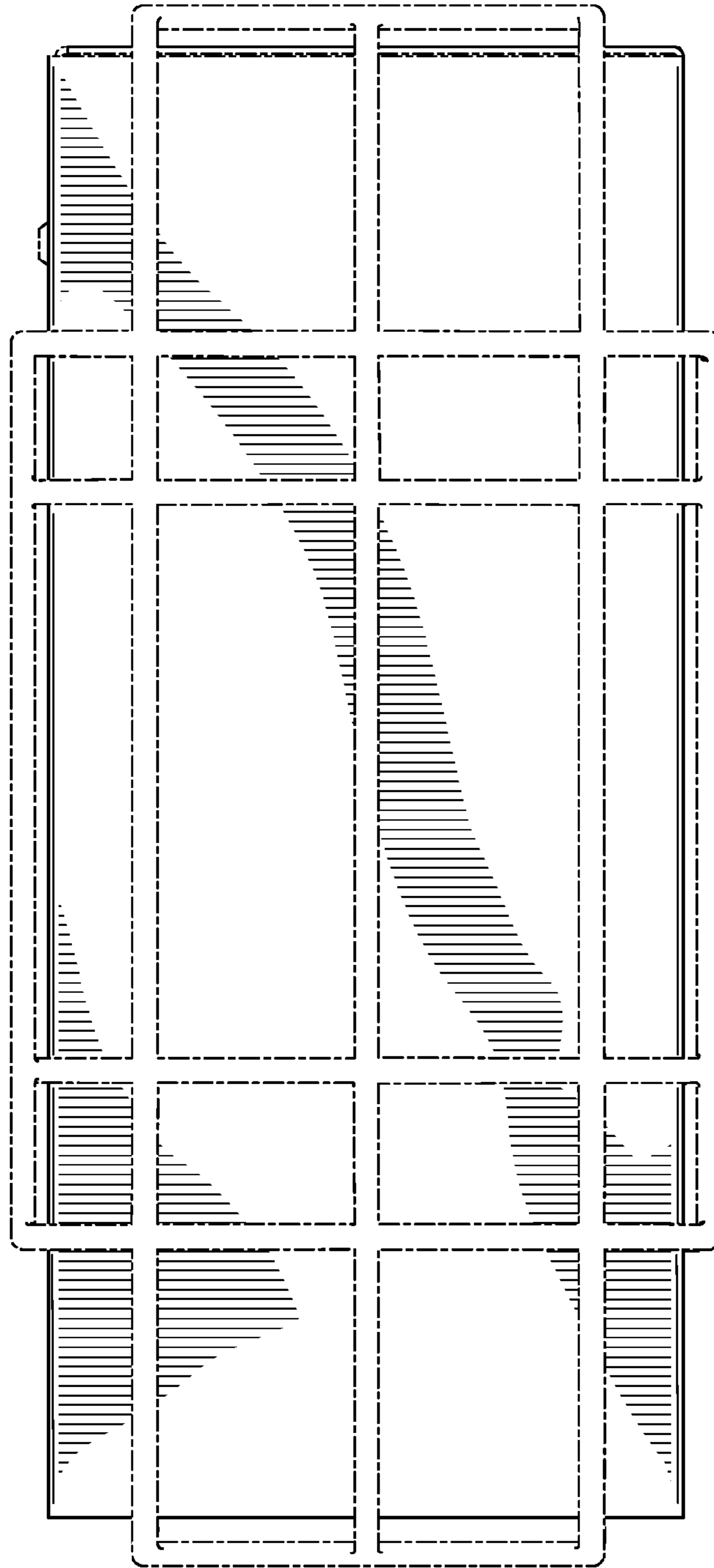


FIG. 35

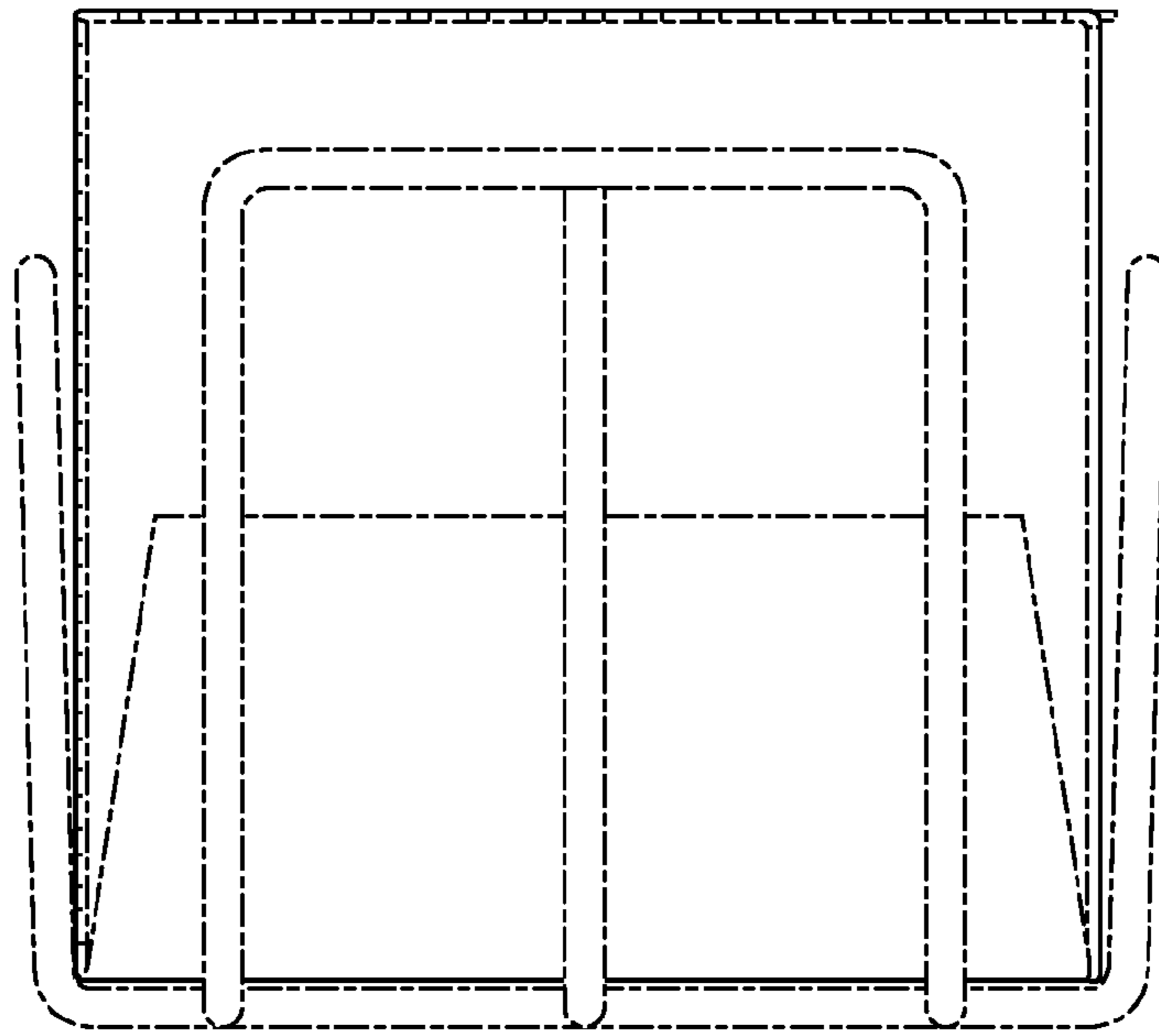


FIG. 36

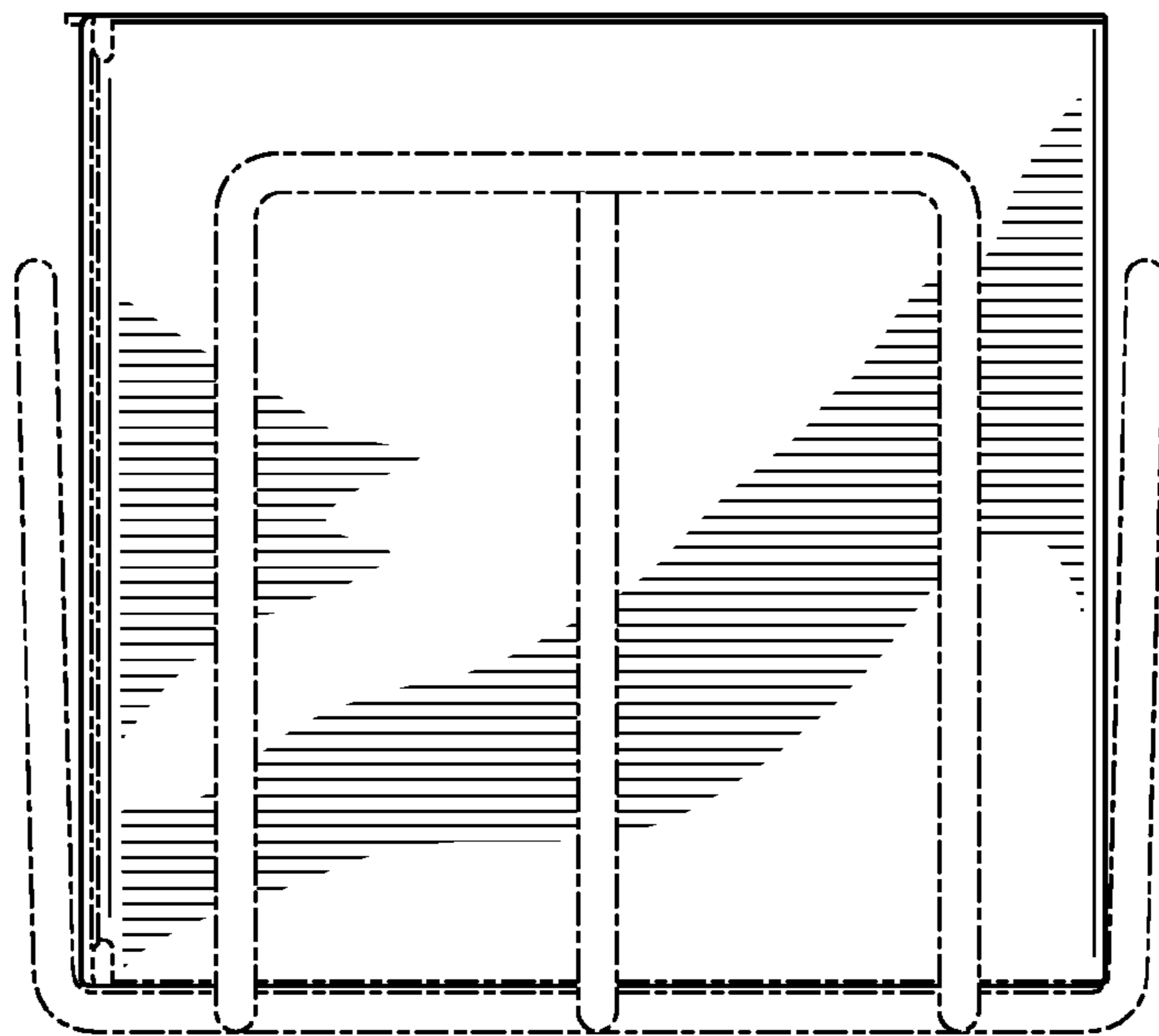


FIG. 37