



US00D699100S

(12) **United States Design Patent**
Moreau et al.

(10) **Patent No.:** **US D699,100 S**

(45) **Date of Patent:** **** Feb. 11, 2014**

(54) **SINGLE TOOTH CLIP**

(76) Inventors: **Darrell A. Moreau**, Manchester, NH (US); **Andre W. Moresu**, Spring Hill, FL (US)

(**) Term: **14 Years**

(21) Appl. No.: **29/426,975**

(22) Filed: **Jul. 12, 2012**

(51) **LOC (10) Cl.** **08-08**

(52) **U.S. Cl.**

USPC **D8/394**; D8/395

(58) **Field of Classification Search**

USPC D8/394-396, 72, 367, 373; D19/56, 65, D19/86; 24/67.3; D32/60-64; D28/40

See application file for complete search history.

(56) **References Cited**

U.S. PATENT DOCUMENTS

3,914,828	A *	10/1975	Noda	24/504
4,141,119	A *	2/1979	Nodo	24/504
4,241,477	A *	12/1980	Freedom et al.	24/67 R
D261,102	S *	10/1981	Hoover	D8/383
D312,567	S *	12/1990	Gilman	D8/394
D315,992	S *	4/1991	Tremblay et al.	D6/328
D365,512	S *	12/1995	Mason	D8/394
D391,895	S	3/1998	Anscher	
D421,214	S *	2/2000	Koros et al.	D8/394
6,260,244	B1 *	7/2001	Noda	24/499
D466,438	S *	12/2002	Buettell	D11/200
D492,727	S *	7/2004	Nuttall et al.	D19/65
D633,376	S *	3/2011	Heath	D8/383
D638,696	S *	5/2011	Kubota	D8/394
D643,281	S *	8/2011	Roberts	D8/394
D651,072	S *	12/2011	Boucher-Gagne et al.	D8/394
D665,860	S *	8/2012	Lovegrove et al.	D21/694

* cited by examiner

Primary Examiner — John Windmuller

(74) *Attorney, Agent, or Firm* — Robert R. Deleault, Esq.; Mesmer & Deleault, PLLC

(57) **CLAIM**

We claim the ornamental design for a single tooth clip, as shown and described.

DESCRIPTION

FIG. 1 is a front, left perspective view of an single tooth clip in a closed position showing our new design.

FIG. 2 is a front, right perspective view thereof.

FIG. 3 is a top view thereof.

FIG. 4 is a bottom plan view thereof.

FIG. 5 is a right side plan view thereof;

FIG. 6 is a left side plan view thereof.

FIG. 7 is front plan view thereof.

FIG. 8 is a rear plan view thereof.

FIG. 9 is a front, left perspective view of the single tooth clip in an open position.

FIG. 10 is a front, right perspective view of the single tooth clip in an open position.

FIG. 11 is a top plan view of the single tooth clip in an open position.

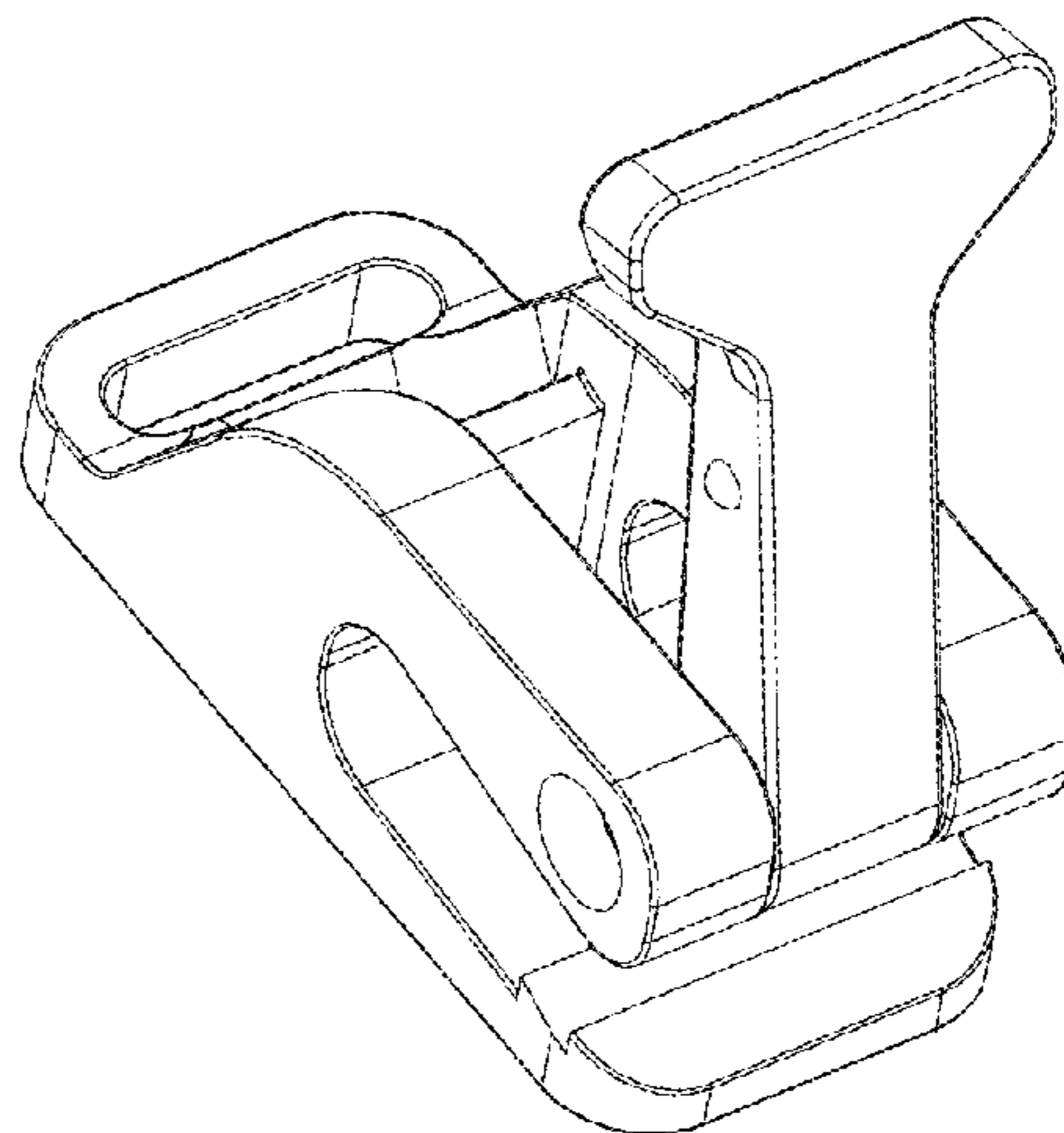
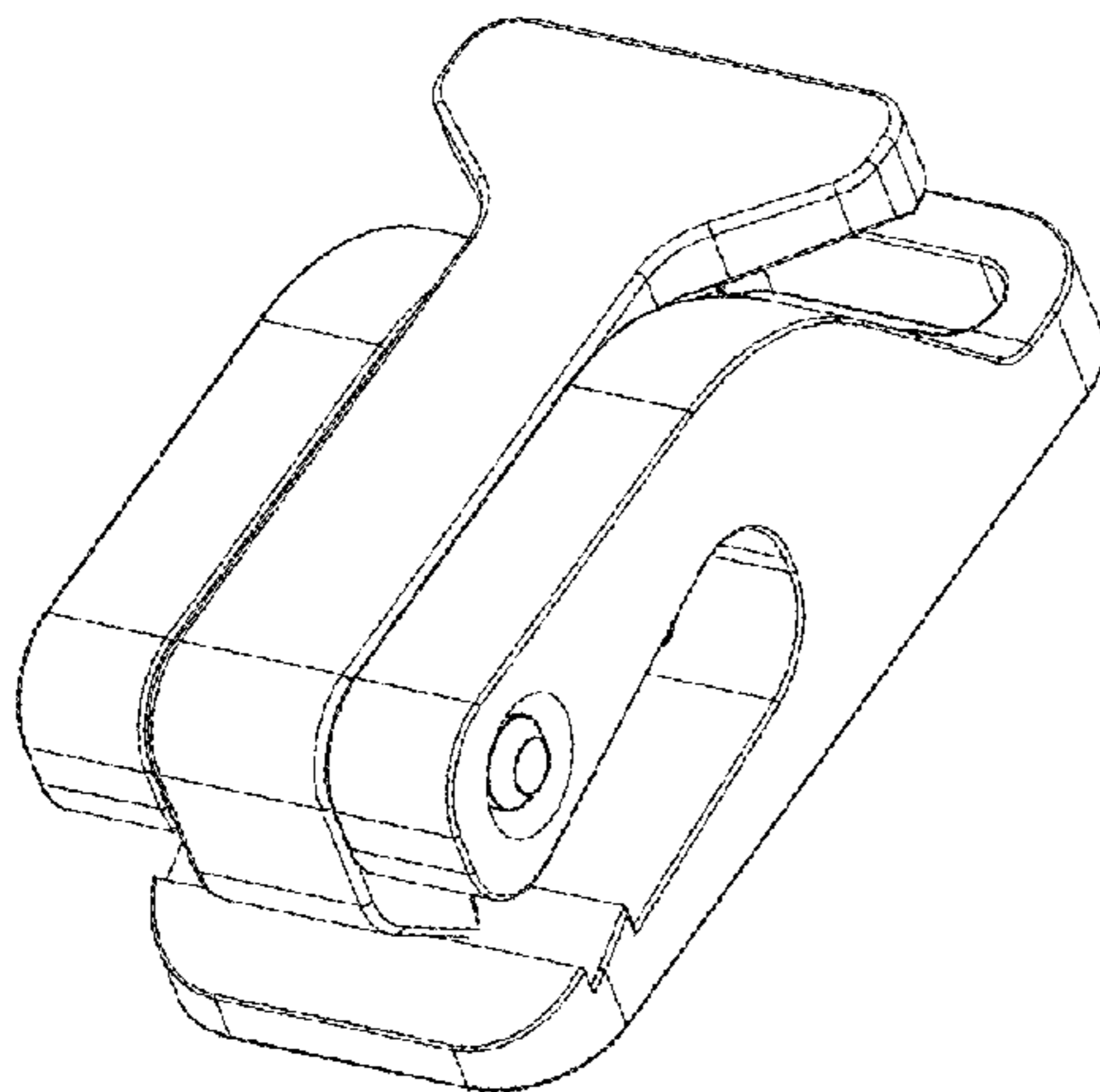
FIG. 12 is a right side plan view of the single tooth clip in an open position.

FIG. 13 is a left side plan view of the single tooth clip in an open position.

FIG. 14 is a front plan view of the single tooth clip in an open position; and,

FIG. 15 is a rear plan view of the single tooth clip in an open position.

1 Claim, 4 Drawing Sheets



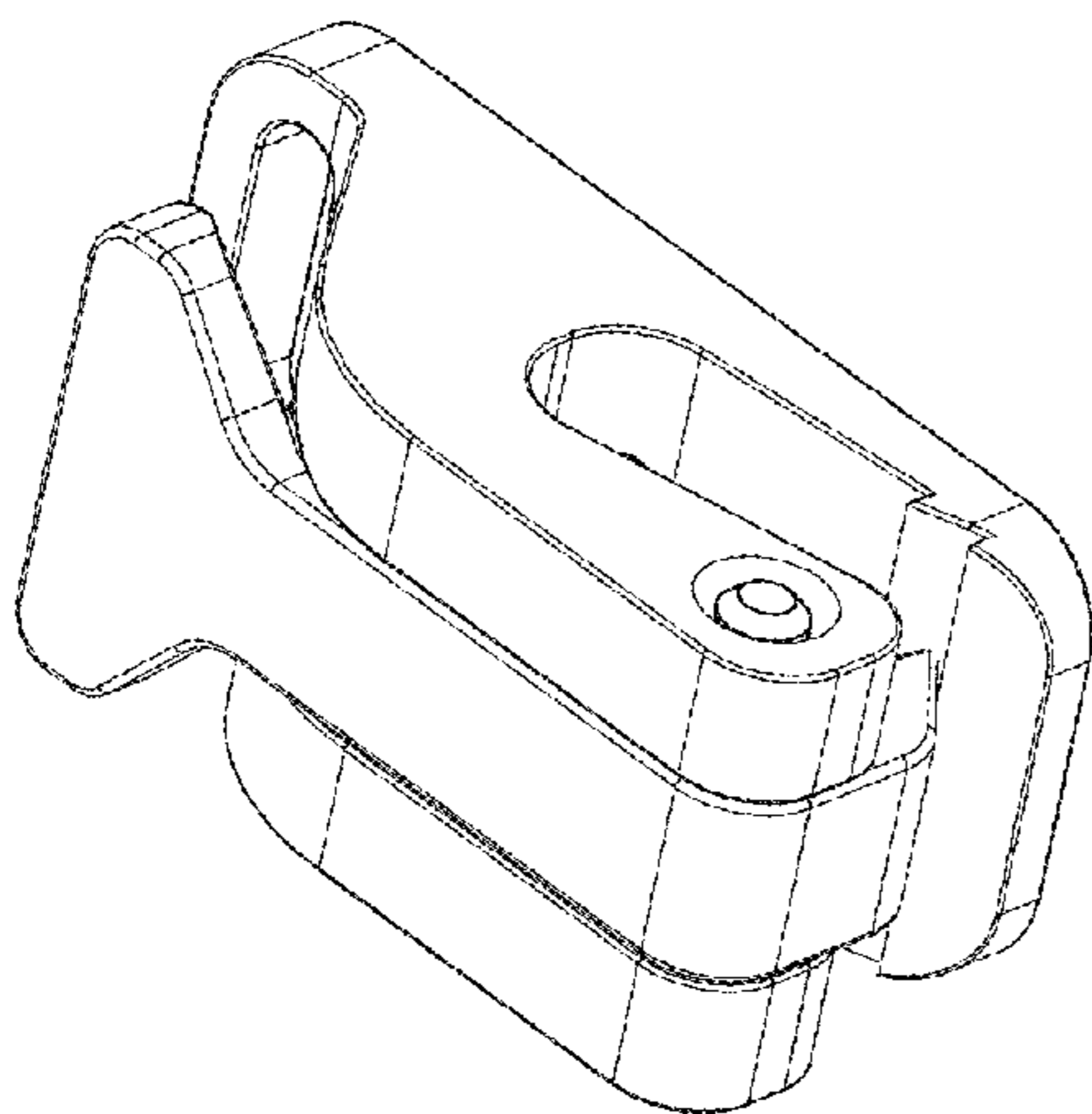


Fig. 1

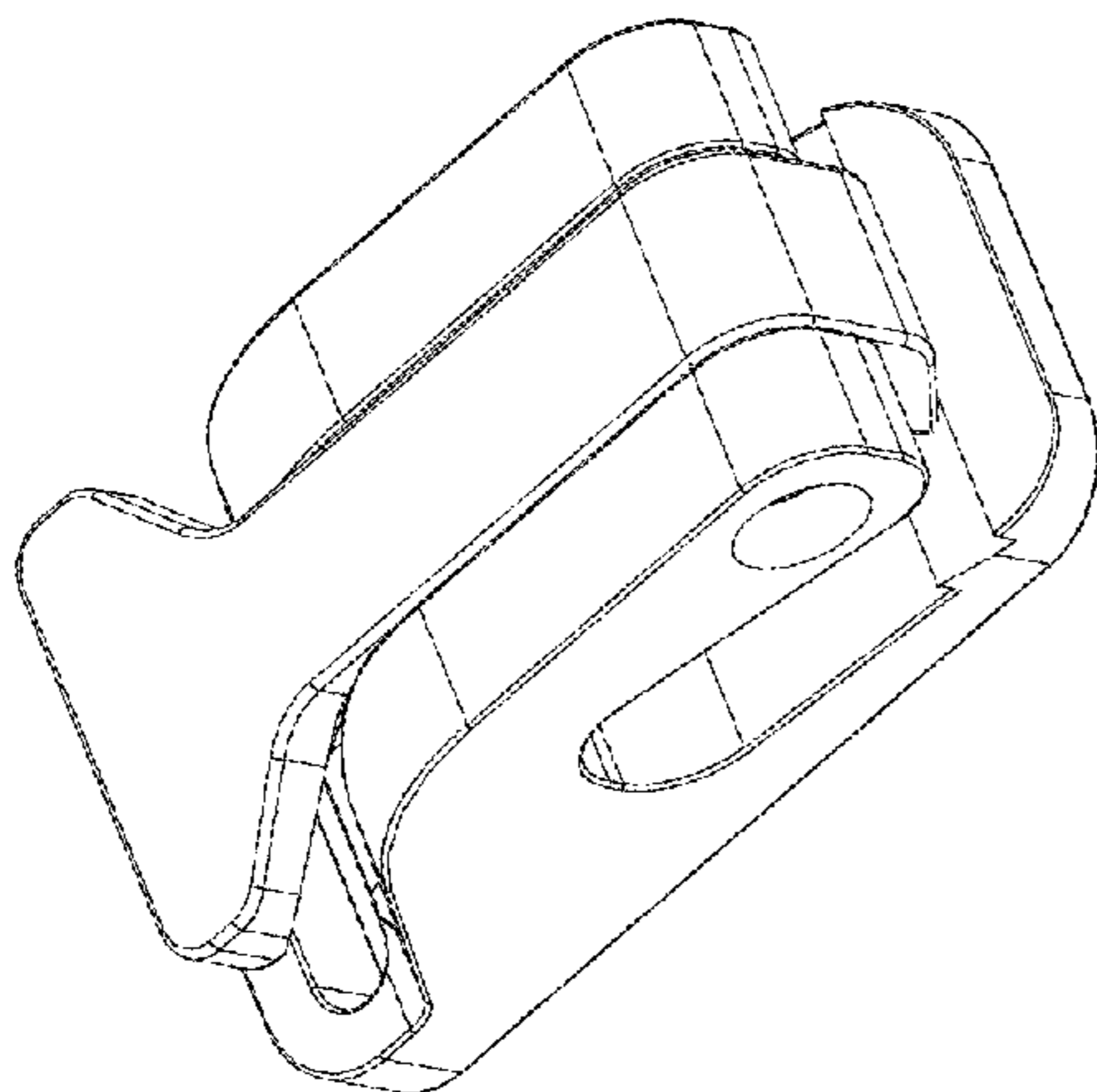


Fig. 2

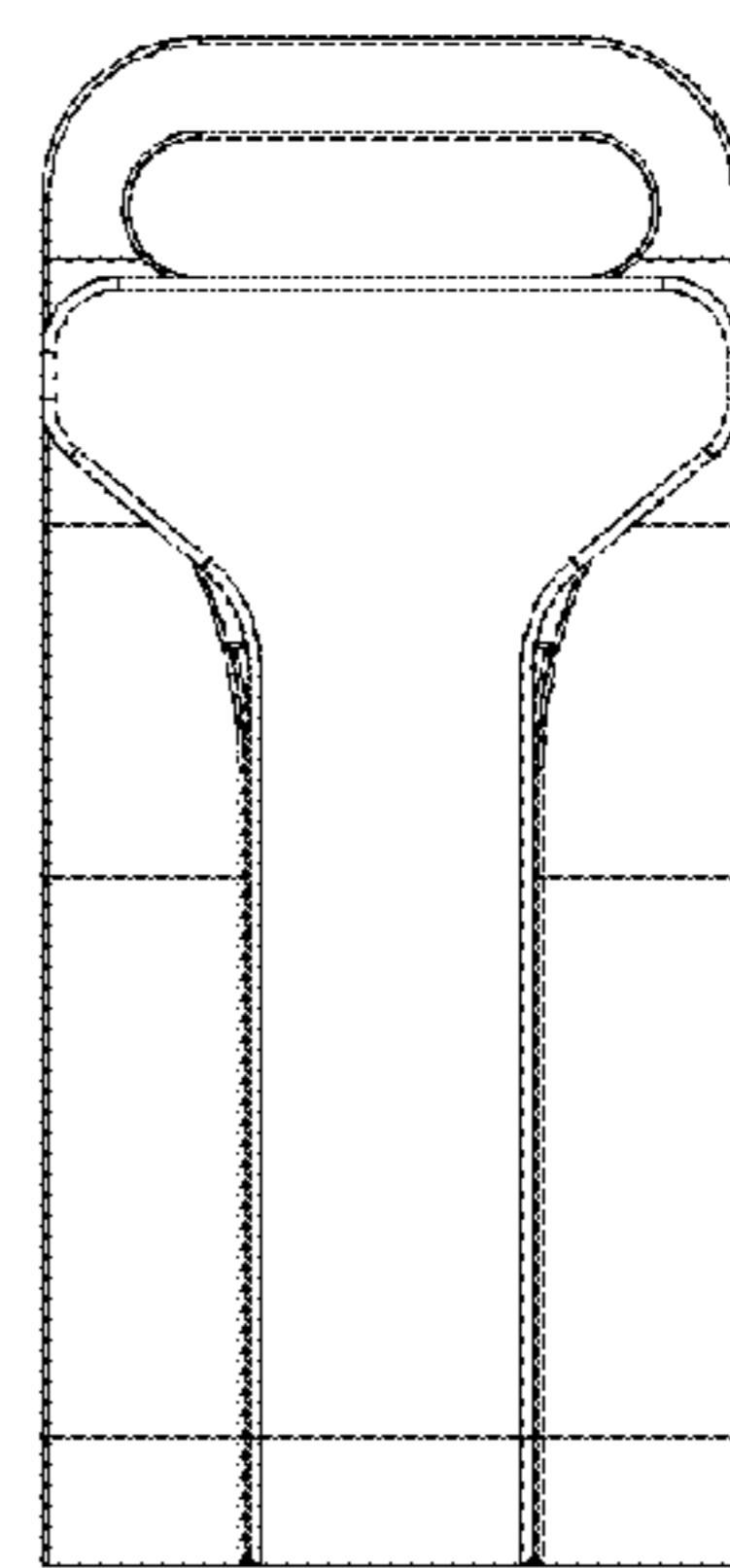


Fig. 3

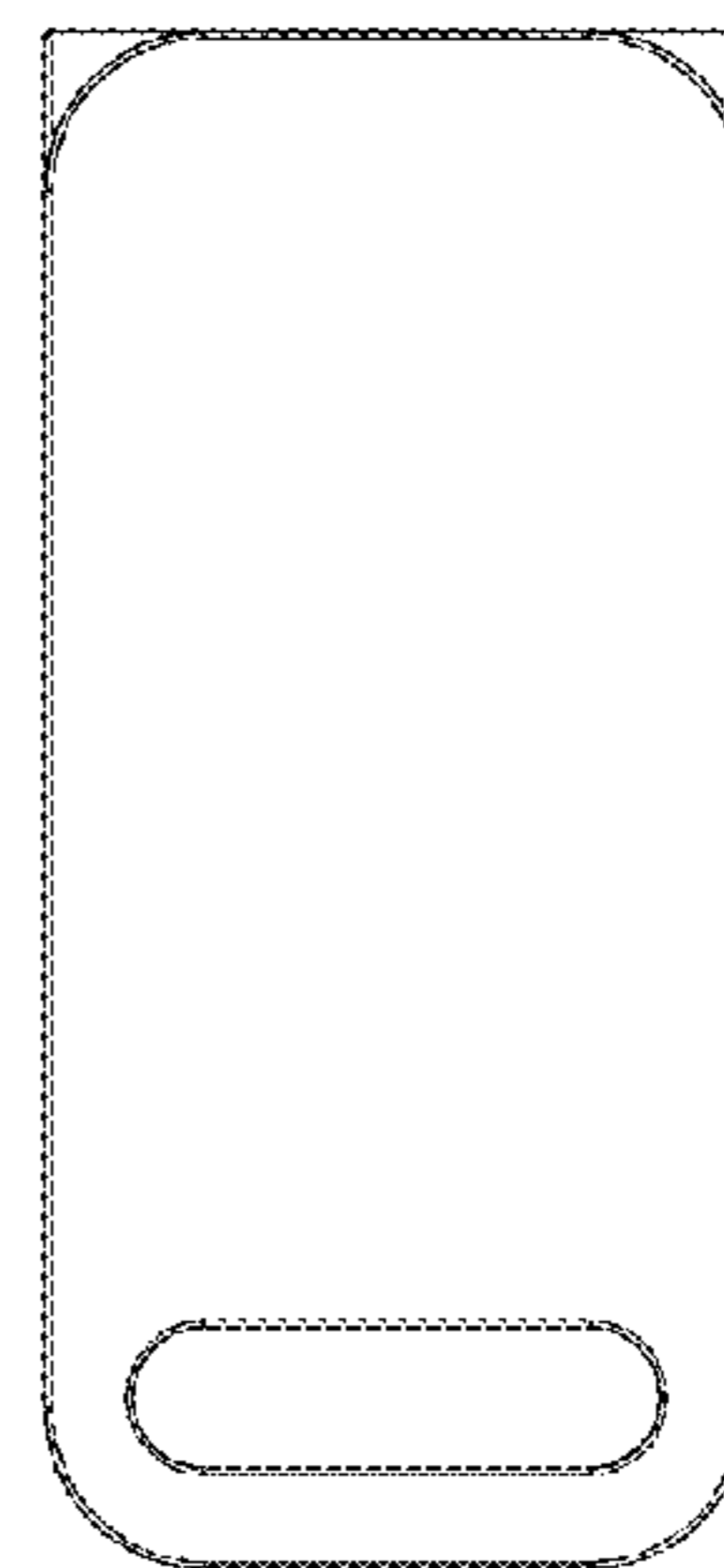


Fig. 4

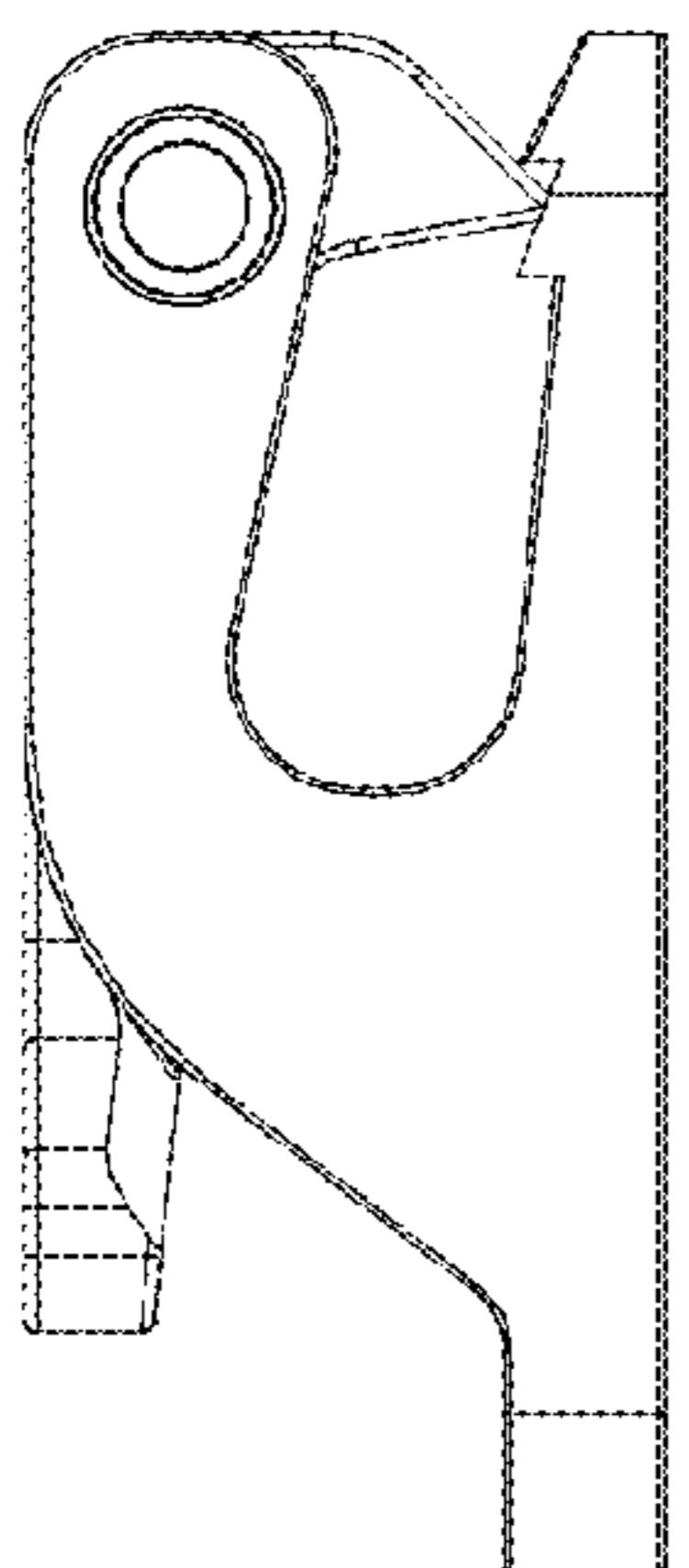


Fig. 5

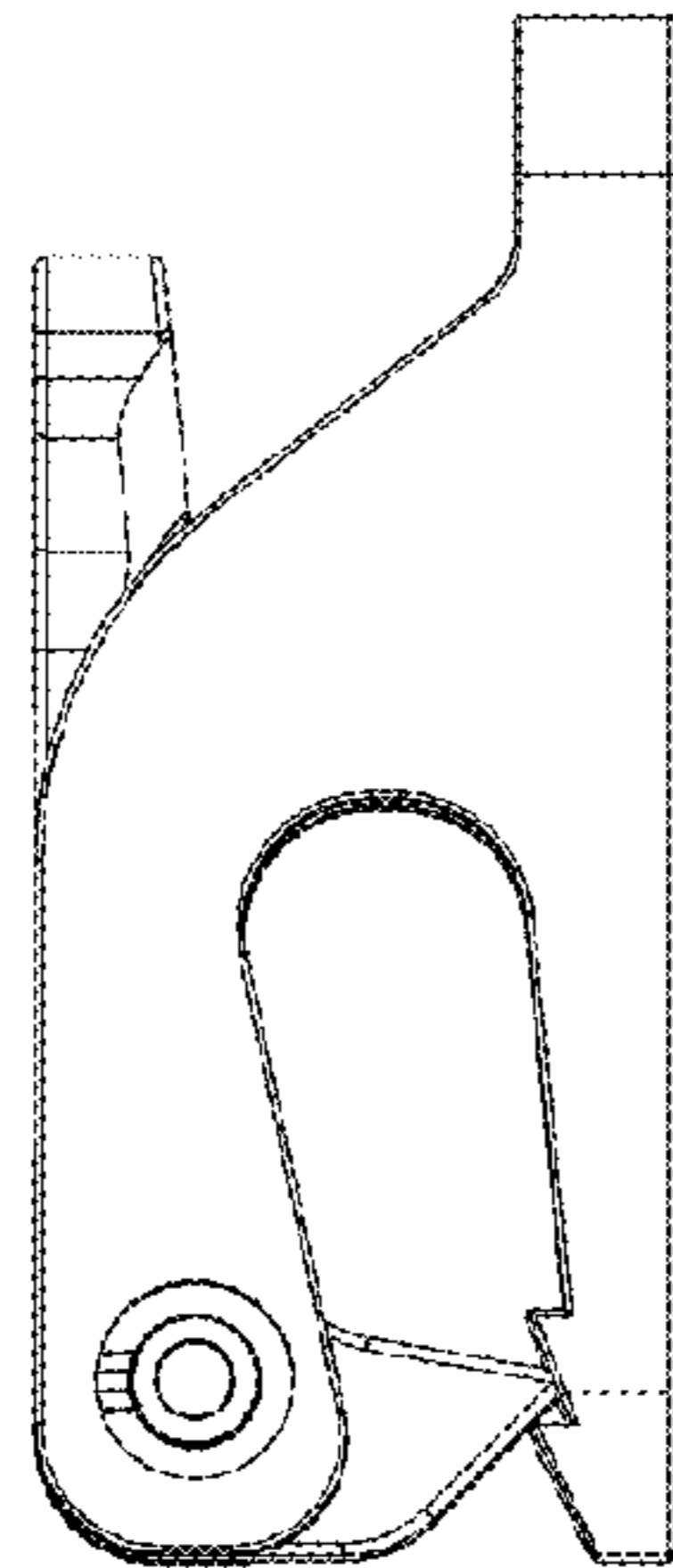


Fig. 6

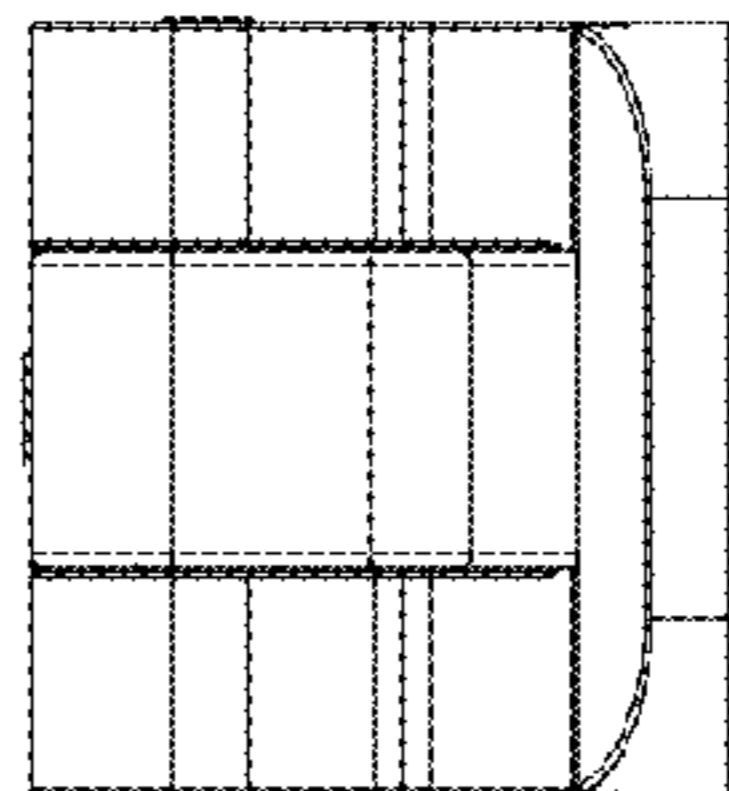


Fig. 7

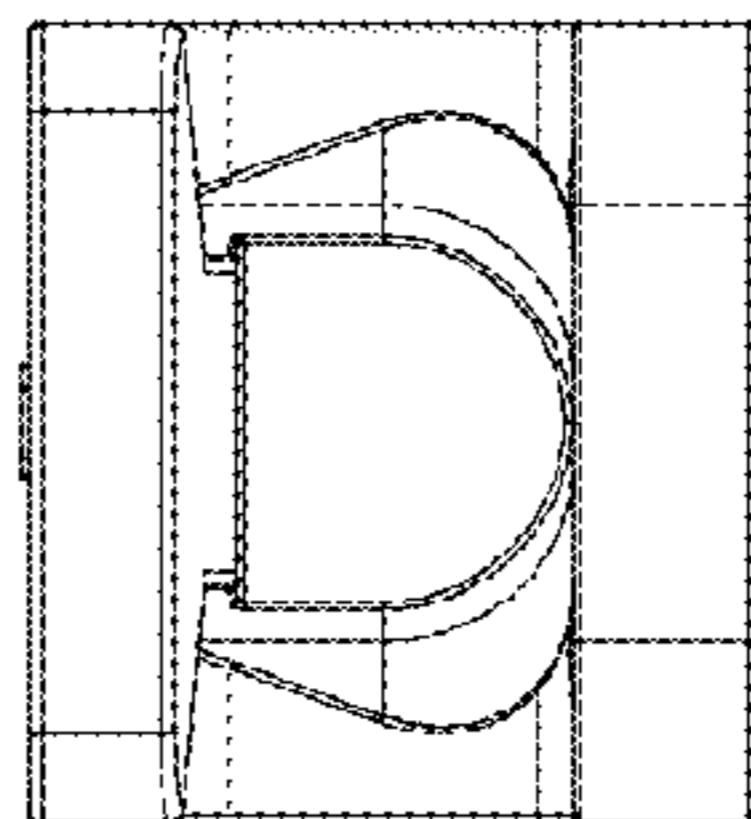


Fig. 8

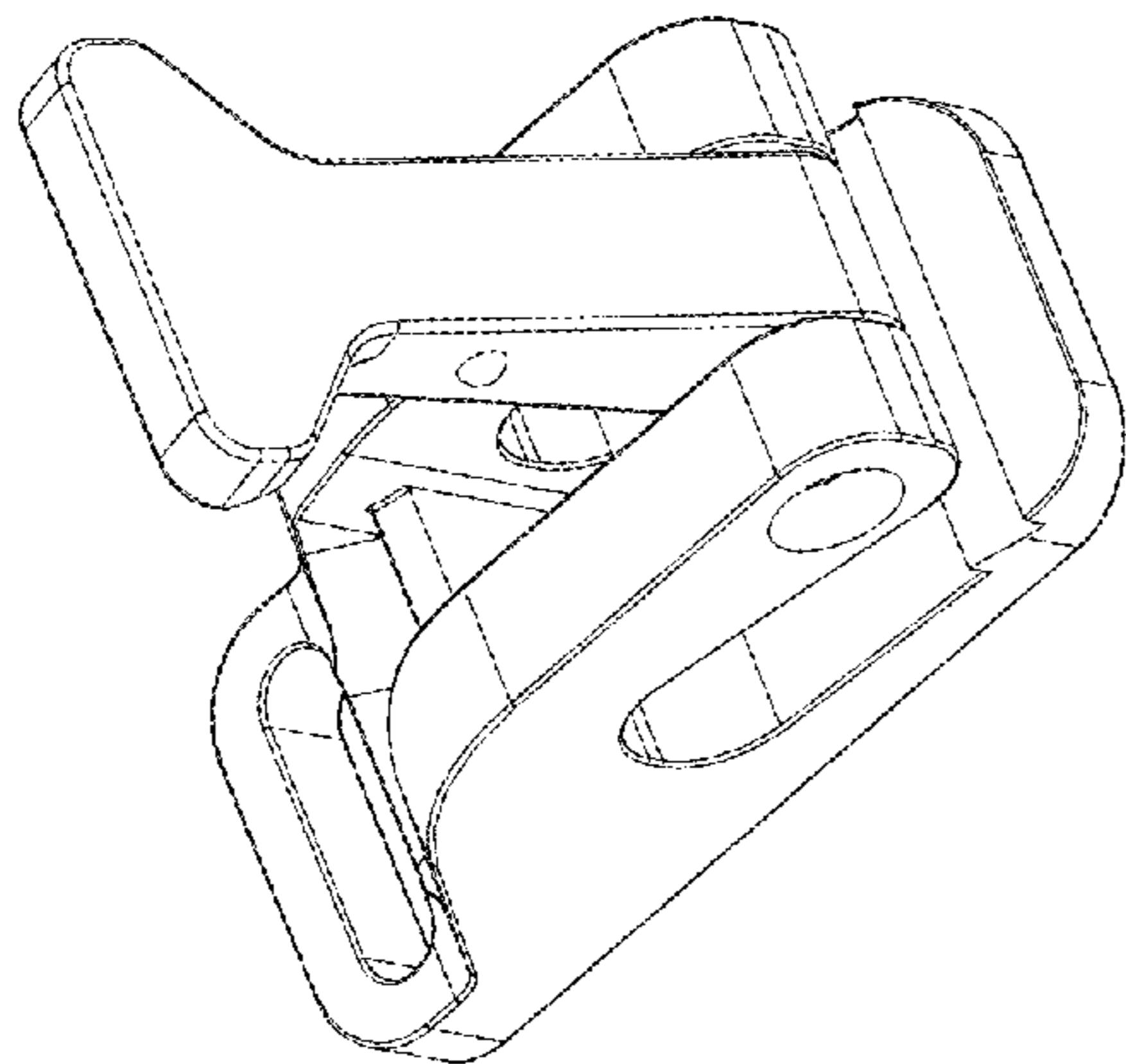


Fig. 9

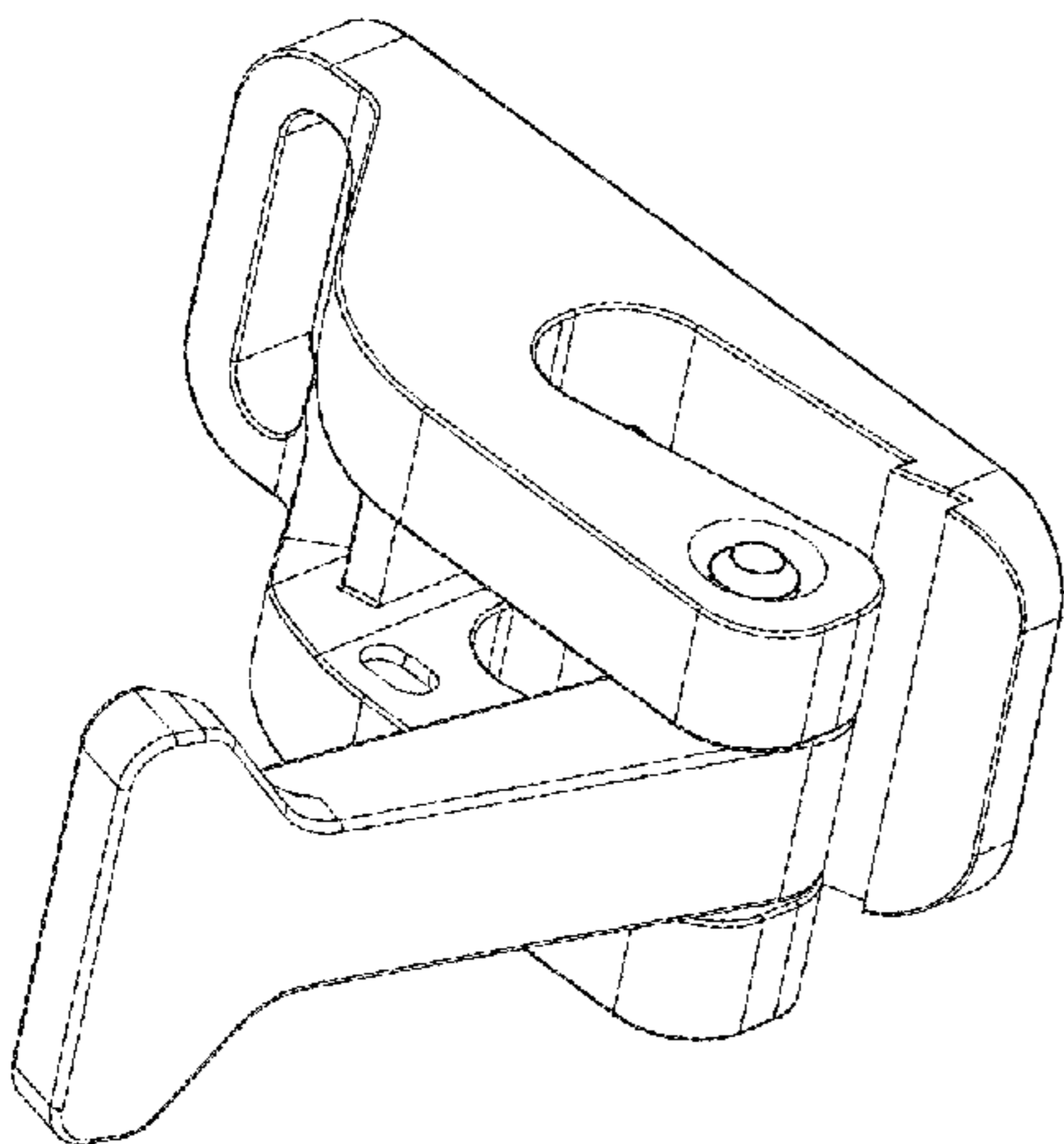


Fig. 10

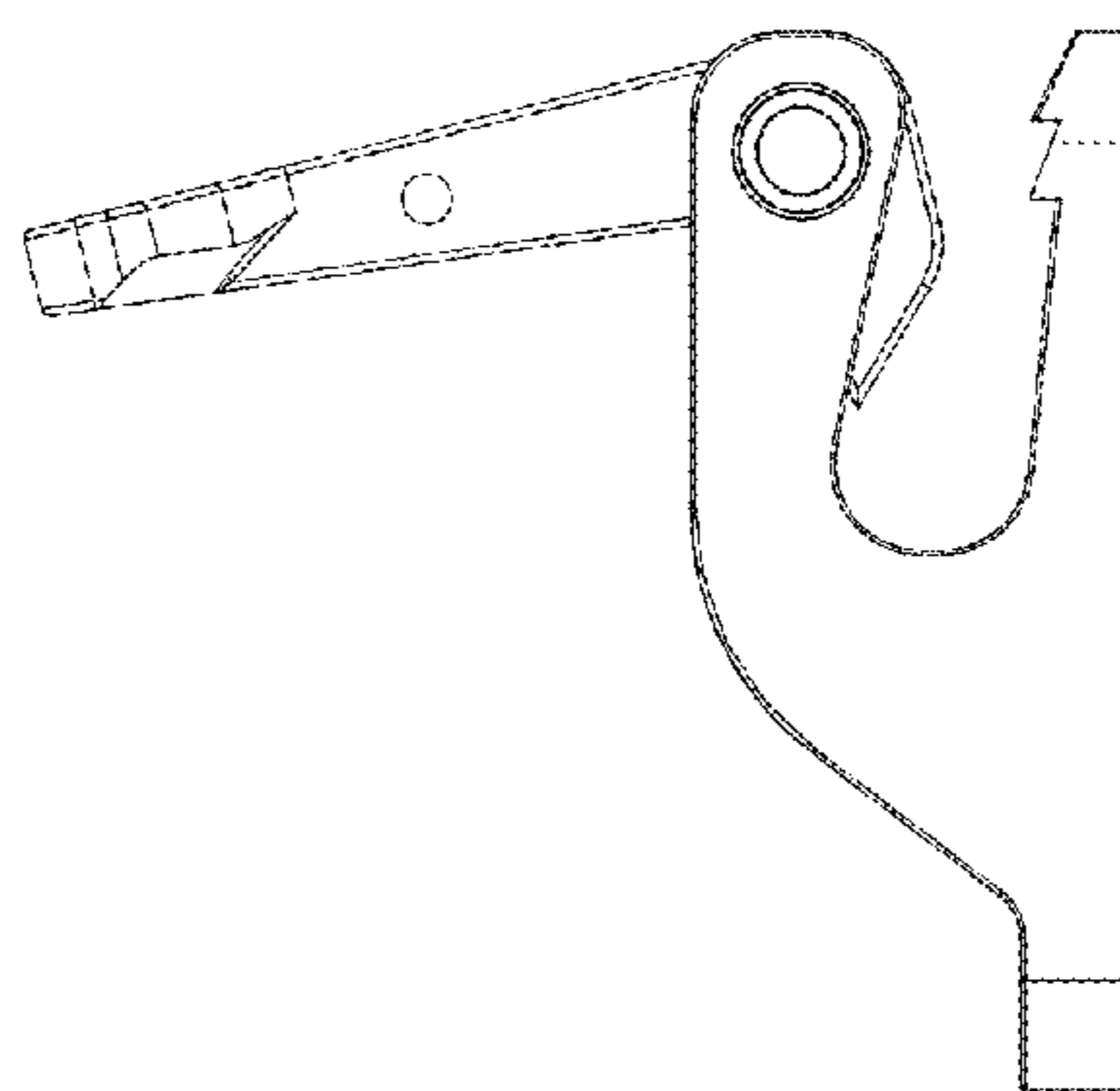


Fig. 11

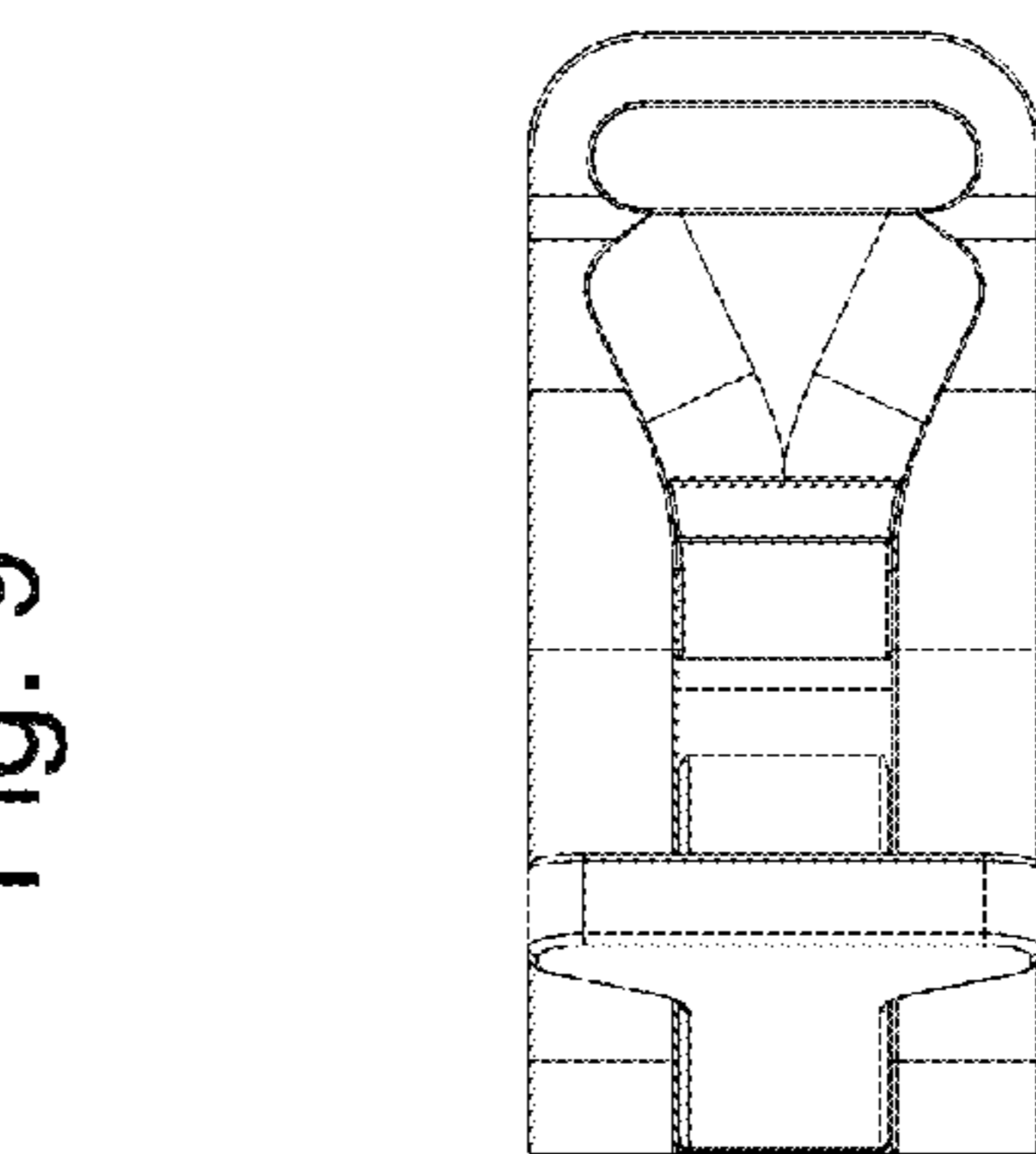


Fig. 12

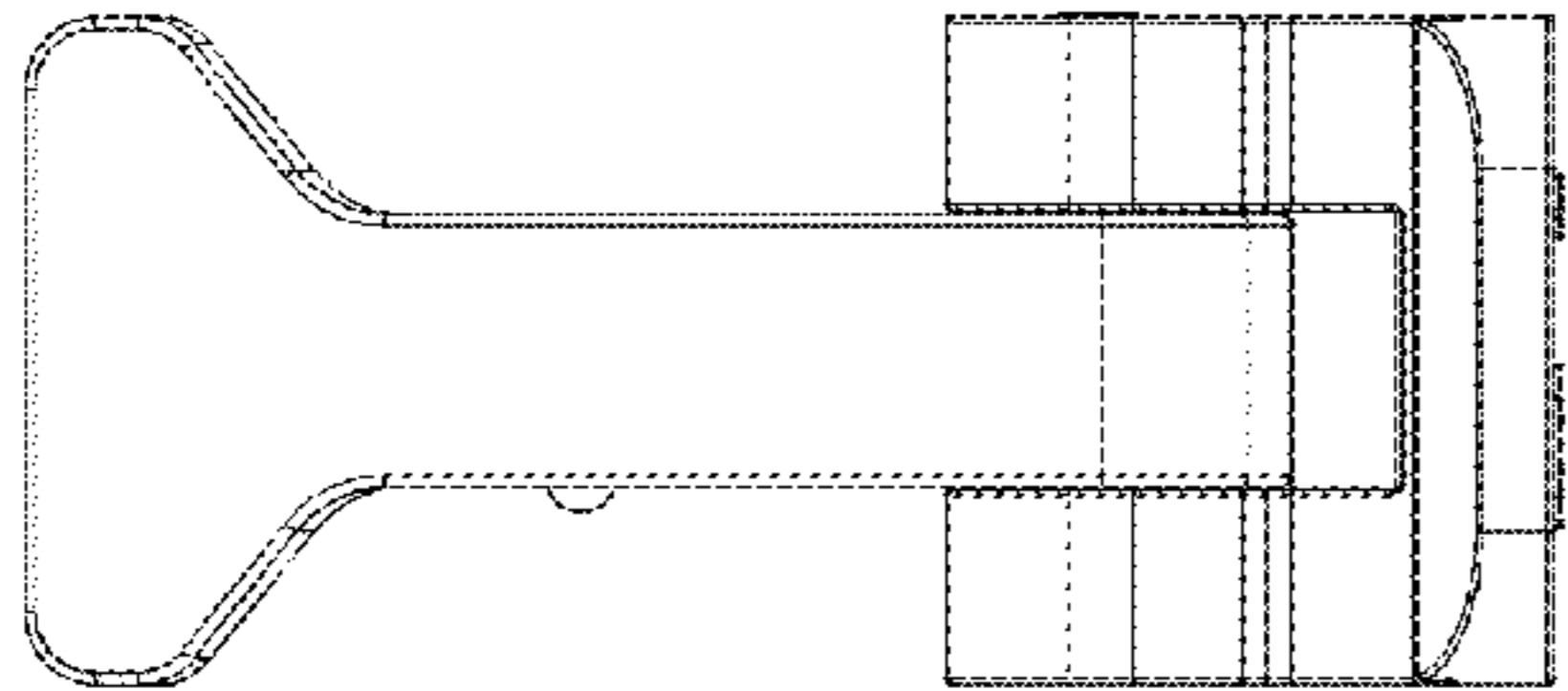


Fig. 14

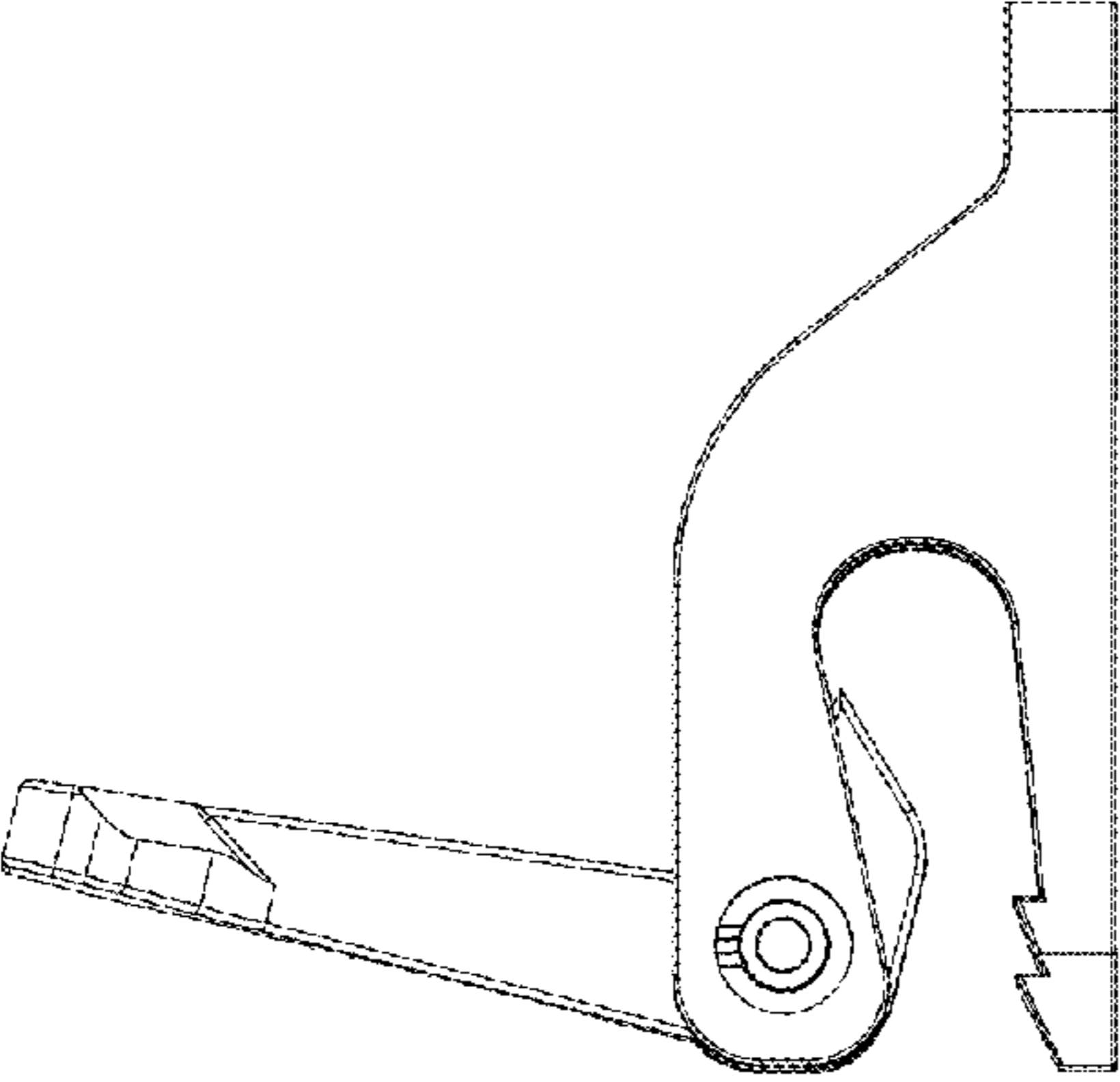


Fig. 13

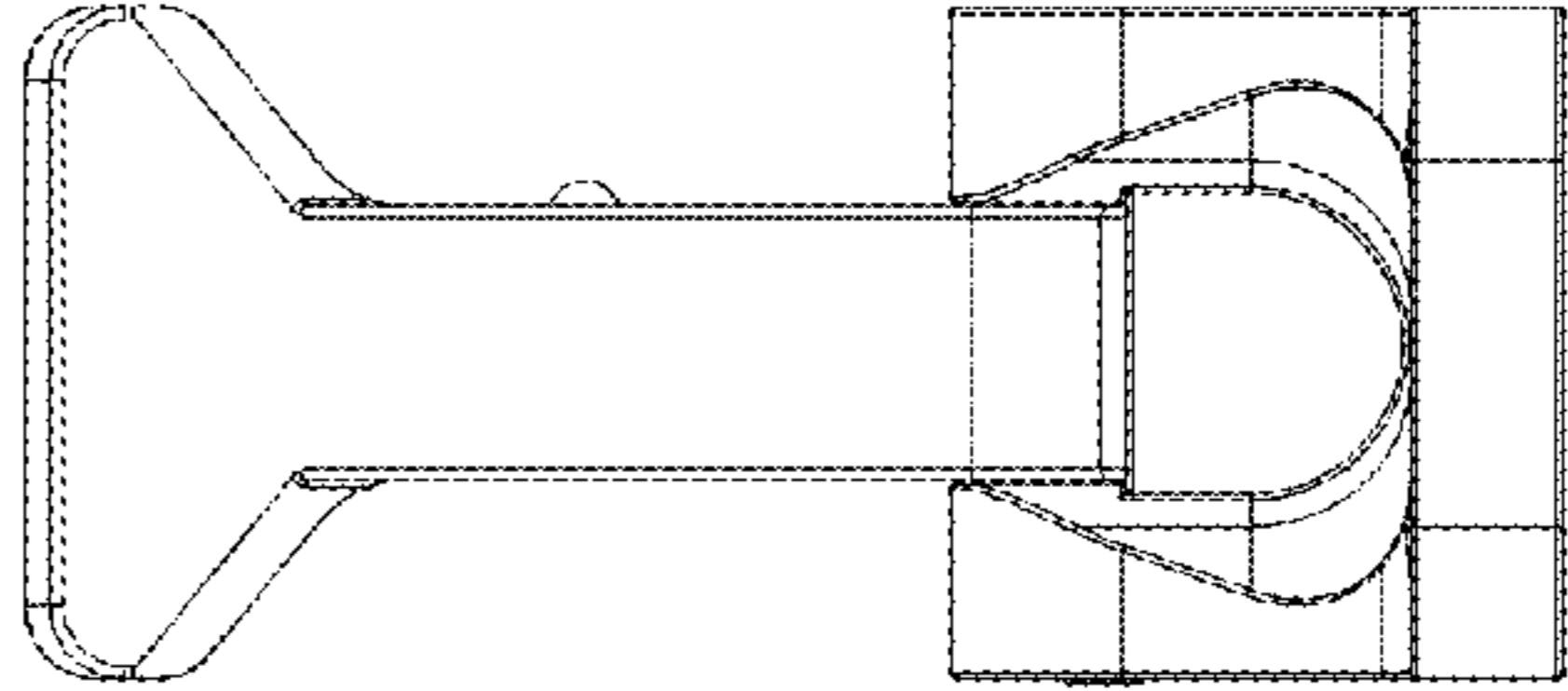


Fig. 15