



US00D699098S

(12) **United States Design Patent**
Fretz

(10) **Patent No.:** **US D699,098 S**
(45) **Date of Patent:** **** Feb. 11, 2014**

(54) **HOOK**
(71) Applicant: **Warn Industries, Inc.**, Clackamas, OR
(US)
(72) Inventor: **Darren G. Fretz**, Canby, OR (US)
(73) Assignee: **Warn Industries, Inc.**, Clackamas, OR
(US)

D307,705 S *	5/1990	Mair	D8/367
D375,252 S *	11/1996	Serra Fabregas	D8/356
D407,297 S *	3/1999	Mihailovic	D8/367
D468,997 S *	1/2003	Chang	D8/356
D527,988 S *	9/2006	Shetler	D8/356
D556,550 S *	12/2007	Hung	D8/367
D565,392 S *	4/2008	Shetler	D8/356
D655,999 S *	3/2012	Kelleghan	D8/356
D668,528 S *	10/2012	Chung	D8/356
D671,293 S *	11/2012	Fredriksson	D34/35
2008/0209700 A1 *	9/2008	Goldberg	24/599.6

(**) Term: **14 Years**

* cited by examiner

(21) Appl. No.: **29/447,877**

Primary Examiner — Cynthia Underwood

(22) Filed: **Mar. 7, 2013**

(74) *Attorney, Agent, or Firm* — Harness, Dickey & Pierce, PLC

(51) **LOC (10) Cl.** **08-05**

(57) **CLAIM**

(52) **U.S. Cl.**
USPC **D8/367**

The ornamental design for a hook, as shown and described.

(58) **Field of Classification Search**
USPC D8/367, 354, 349, 373, 372; D6/323;
248/301–304, 339, 205.3
See application file for complete search history.

DESCRIPTION

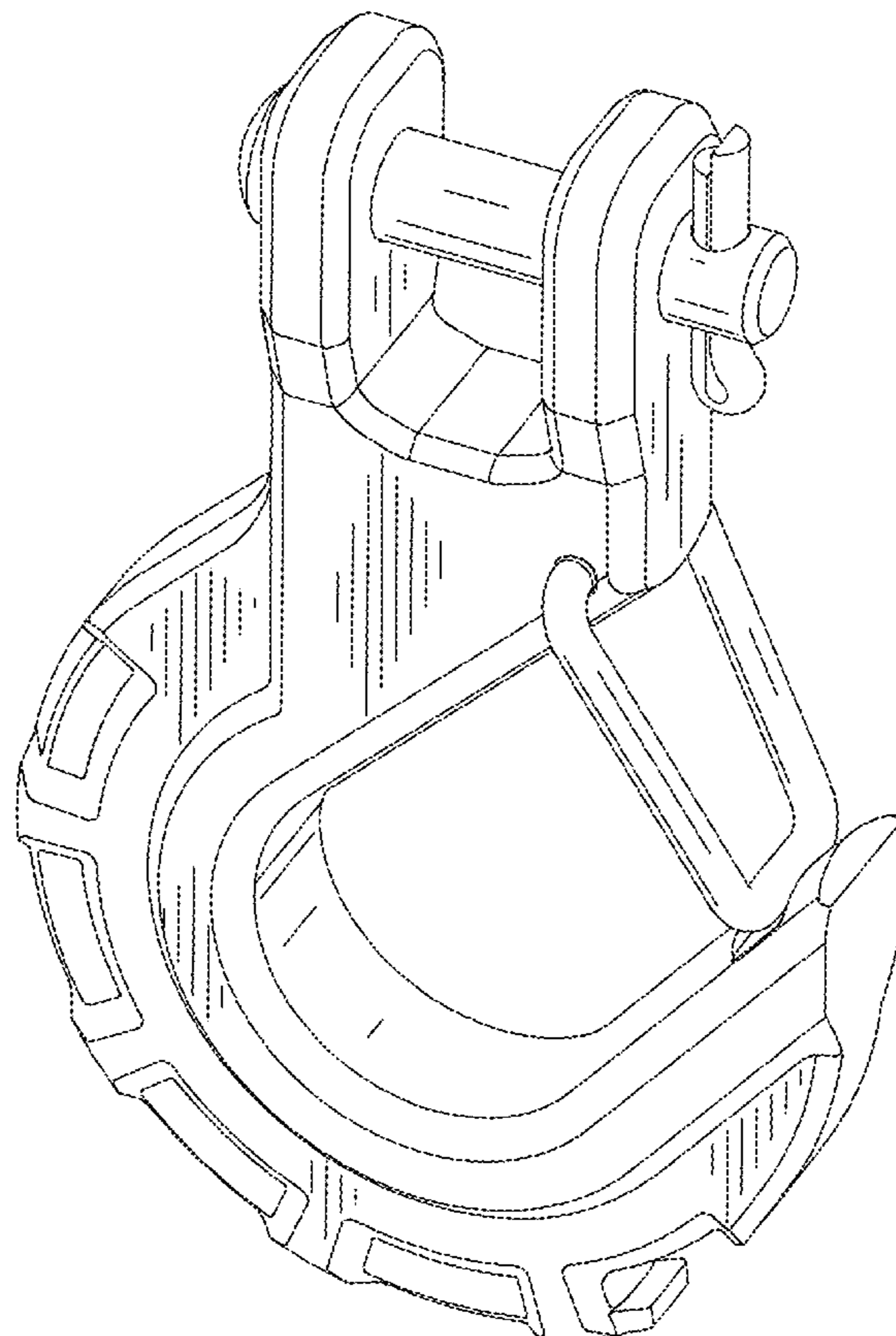
FIG. 1 is a front perspective view of a hook;
FIG. 2 is a front plan view thereof;
FIG. 3 is a right side view thereof;
FIG. 4 is a back side view thereof;
FIG. 5 is a left side view thereof;
FIG. 6 is a bottom view thereof; and,
FIG. 7 is a top view thereof.

(56) **References Cited**

U.S. PATENT DOCUMENTS

4,095,316 A *	6/1978	Gabriel	24/599.1
D282,904 S *	3/1986	Faidide	D8/367

1 Claim, 6 Drawing Sheets



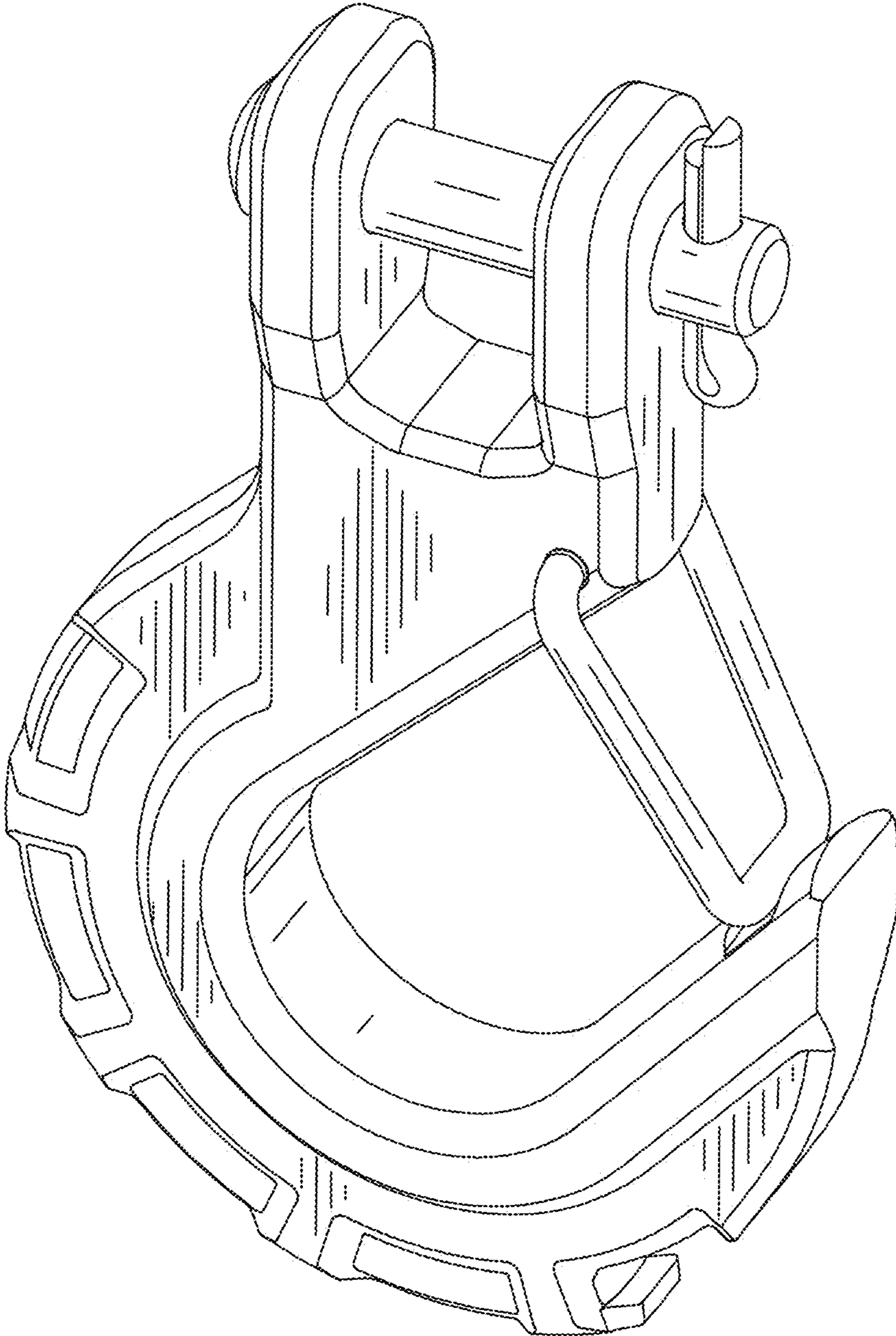


FIG 1

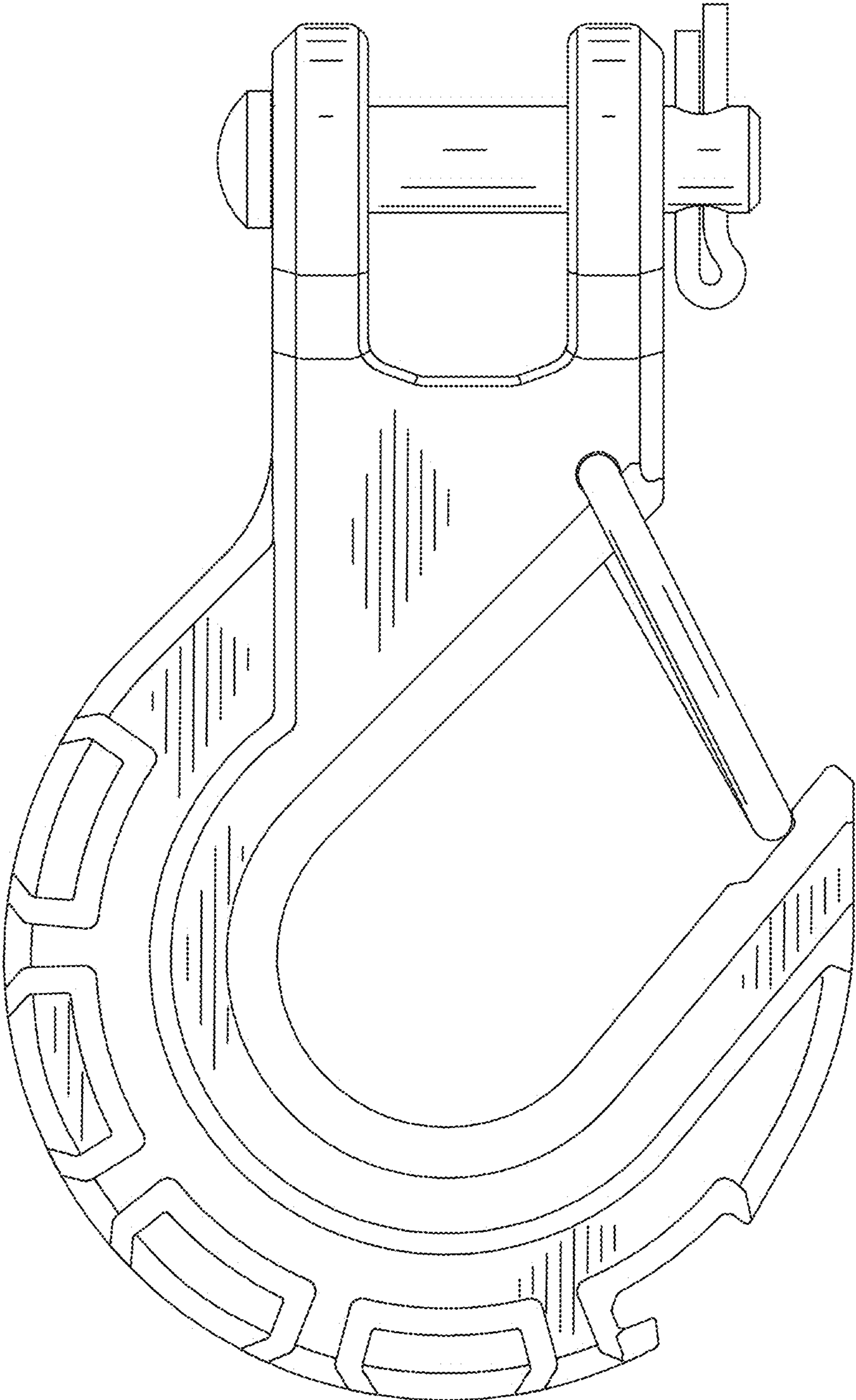


FIG 2

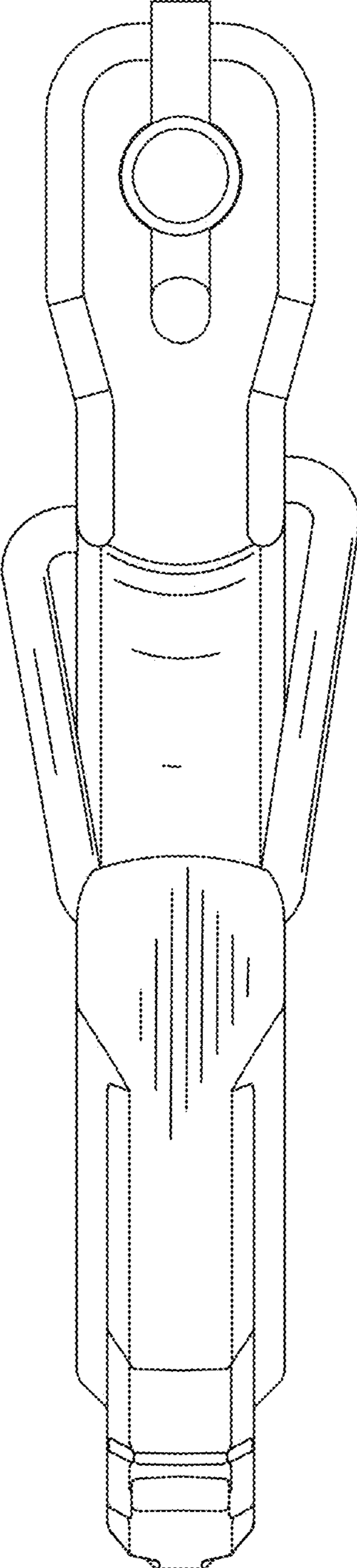


FIG 3

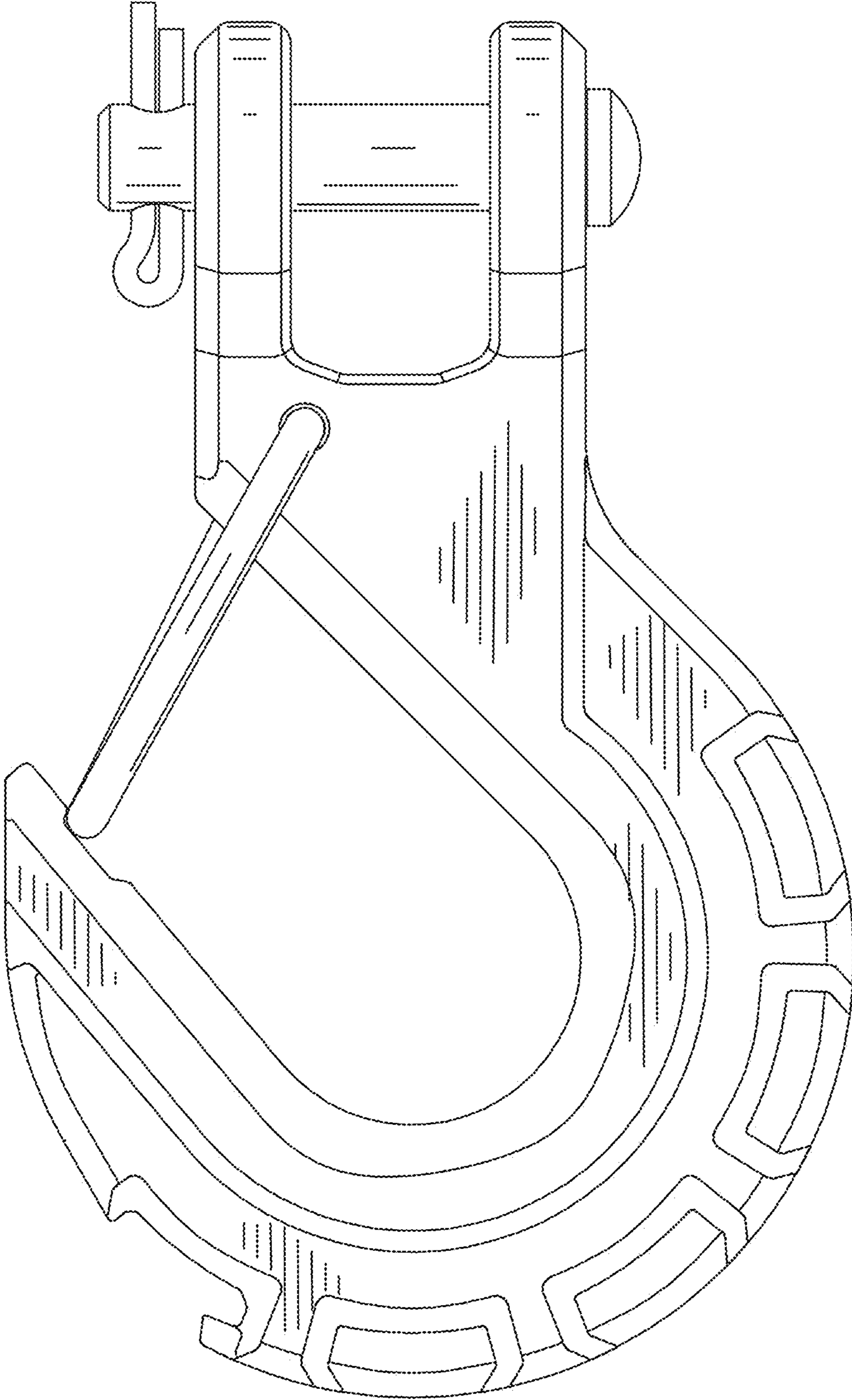


FIG 4

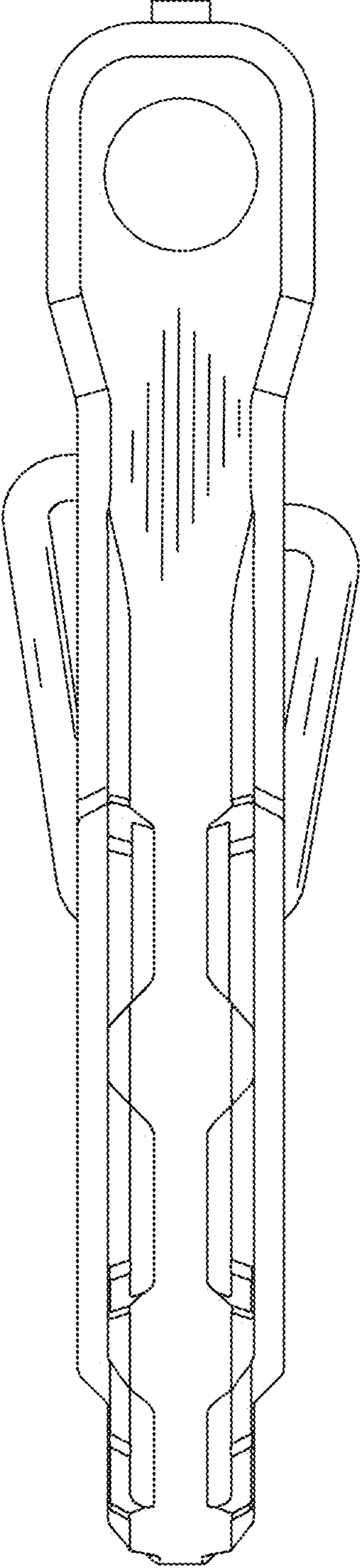


FIG 5

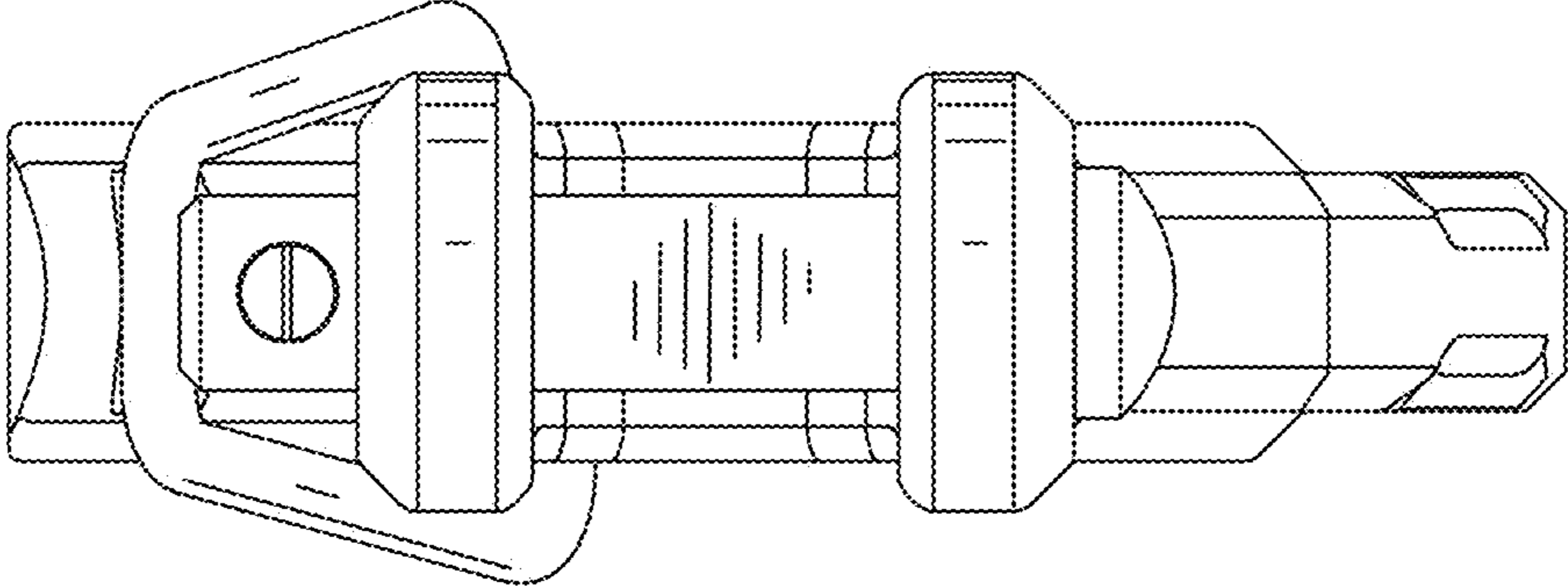


FIG 6

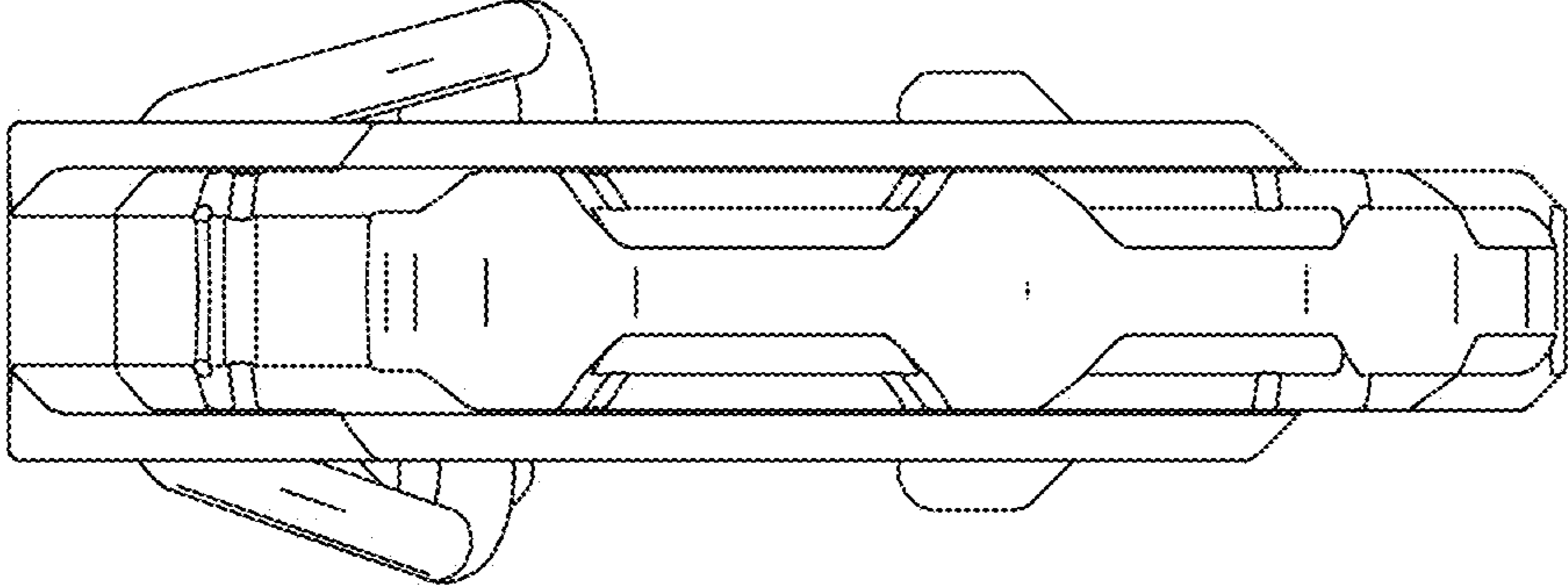


FIG 7

UNITED STATES PATENT AND TRADEMARK OFFICE
CERTIFICATE OF CORRECTION

PATENT NO. : D699,098 S
APPLICATION NO. : 29/447877
DATED : February 11, 2014
INVENTOR(S) : Darren G. Fretz

Page 1 of 1

It is certified that error appears in the above-identified patent and that said Letters Patent is hereby corrected as shown below:

On the title page

In the Description at column 2, line 6, Figure 6, delete “bottom” and insert --top--
therefor.

In the Description at column 2, line 7, Figure 7, delete “top” and insert --bottom--
therefor.

Signed and Sealed this
Thirteenth Day of May, 2014



Michelle K. Lee
Deputy Director of the United States Patent and Trademark Office