

US00D699097S

(12) **United States Design Patent**
Chung et al.

(10) **Patent No.:** **US D699,097 S**
(45) **Date of Patent:** **** Feb. 11, 2014**

- (54) **MOUNTING BRACKET**
- (75) Inventors: **Brian Hyuk Joon Chung**, Oakbrook Terrace, IL (US); **Craig Joseph Zurko**, Bolingbrook, IL (US)
- (73) Assignee: **Illinois Tool Works Inc.**, Glenview, IL (US)
- (**) Term: **14 Years**
- (21) Appl. No.: **29/410,690**
- (22) Filed: **Jan. 11, 2012**
- (51) **LOC (10) Cl.** **08-05**
- (52) **U.S. Cl.**
USPC **D8/354**
- (58) **Field of Classification Search**
USPC D8/349, 354, 380, 382, 356; D25/133; 248/519, 300, 237, 309.1; 174/45 R, 174/46, 40 R, 45 TD, 40 CCC, 43, 493; 220/251, 284; 362/431; 411/402; 52/188, 182, 191, 702, 712, 745.06, 52/189, 506.5, 586.1; 29/428, 525.01, 29/464; 249/14, 205, 208; 403/167, 169
See application file for complete search history.

- (56) **References Cited**
U.S. PATENT DOCUMENTS
430,377 A 6/1890 Condon
1,911,934 A 5/1933 Van Ostrand et al.
D121,488 S 7/1940 De Roos
2,484,409 A 10/1949 Jameson
3,257,767 A 6/1966 Lassey
3,953,015 A * 4/1976 Taylor et al. 269/46
3,959,854 A 6/1976 Lewis
D252,088 S 6/1979 Johansson
D277,546 S 2/1985 Trotta
D308,015 S 5/1990 Volpe et al.

D312,038 S	11/1990	Sachs	
D318,608 S *	7/1991	Schenker	D8/382
5,152,117 A	10/1992	Wynar	
D333,421 S	2/1993	Patti	
D339,981 S	10/1993	Barnes	
D342,889 S *	1/1994	Adams	D8/367
D349,041 S *	7/1994	Wical	D8/373
D349,042 S	7/1994	Costello	
5,354,035 A	10/1994	Helgren	
D363,877 S	11/1995	Dee	
D373,068 S *	8/1996	Airey	D8/349
D373,948 S *	9/1996	Etzel et al.	D8/367
D382,464 S *	8/1997	McCoy et al.	D8/373
D385,481 S *	10/1997	Klein et al.	D8/373
D389,035 S *	1/1998	Smiley et al.	D8/363
D393,795 S	4/1998	Bernstein	
D411,951 S	7/1999	Baranski et al.	
5,957,416 A	9/1999	Sellati	

(Continued)

Primary Examiner — Mark Goodwin

(74) *Attorney, Agent, or Firm* — Mark Croll; Patricia Chidiac; Beem Patent Law Firm

(57) **CLAIM**

The ornamental design for a mounting bracket, as shown and described.

DESCRIPTION

FIG. 1 is a perspective view of a mounting bracket showing our new design in the environment of a system for supporting an article such as a ladder.

FIG. 2 is a rear view of the mounting bracket of FIG. 1.

FIG. 3 is a front view of the mounting bracket of FIG. 1.

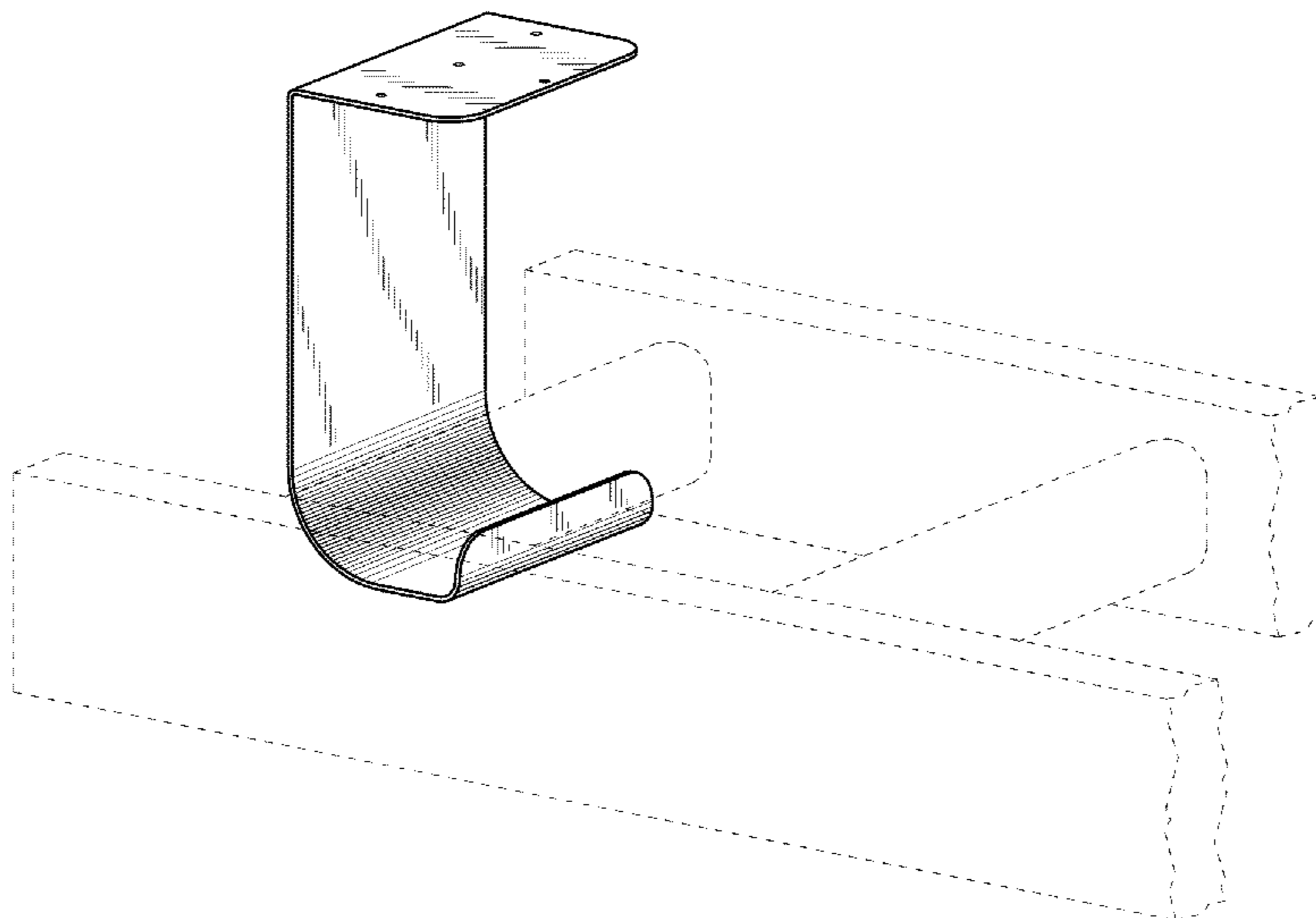
FIG. 4 is a side view of the mounting bracket of FIG. 1, the other side being a mirror image thereof.

FIG. 5 is a top view of the mounting bracket of FIG. 1; and,

FIG. 6 is a bottom view of the mounting bracket of FIG. 1.

The broken lines are for environmental purposes only and form no part of the claimed design.

1 Claim, 1 Drawing Sheet



(56)

References Cited

U.S. PATENT DOCUMENTS

6,301,501 B1 * 10/2001 Cronin et al. 607/5
 D461,396 S 8/2002 Ferrill et al.
 D468,998 S * 1/2003 Zadak D8/373
 D481,303 S * 10/2003 Fell et al. D8/395
 6,669,157 B1 12/2003 Willin et al.
 D491,447 S * 6/2004 Diss D8/373
 D494,844 S * 8/2004 Klein et al. D8/372
 D521,853 S * 5/2006 Bertagnole et al. D8/373
 D529,792 S * 10/2006 Klein et al. D8/373
 7,150,449 B1 12/2006 Dueck et al.
 D535,550 S * 1/2007 Silberman D8/356
 D536,882 S * 2/2007 Sheley D6/323
 D557,120 S * 12/2007 Snell D8/372
 7,367,547 B2 5/2008 Pizak
 7,367,548 B2 5/2008 Rosenfeldt et al.
 D570,765 S 6/2008 Trusty et al.

D571,279 S 6/2008 Trusty et al.
 D576,023 S * 9/2008 Urmson et al. D8/382
 D577,573 S * 9/2008 Wood D8/356
 D584,939 S * 1/2009 Snell D8/367
 7,614,755 B2 11/2009 Branham
 7,631,854 B1 12/2009 Mountain
 D608,190 S * 1/2010 Jimenez D8/395
 7,681,853 B2 3/2010 Trusty et al.
 D620,779 S * 8/2010 Kunnath et al. D8/314
 D628,052 S * 11/2010 Carl D8/367
 7,841,448 B2 11/2010 Lair
 D629,673 S 12/2010 Shaha et al.
 7,992,833 B1 * 8/2011 Goodman et al. 248/298.1
 D657,054 S * 4/2012 Bacon D24/128
 D663,190 S * 7/2012 Mota et al. D8/349
 2008/0060874 A1 3/2008 Lair
 2009/0283484 A1 11/2009 Trusty et al.
 2011/0073729 A1 3/2011 DeSautel

* cited by examiner

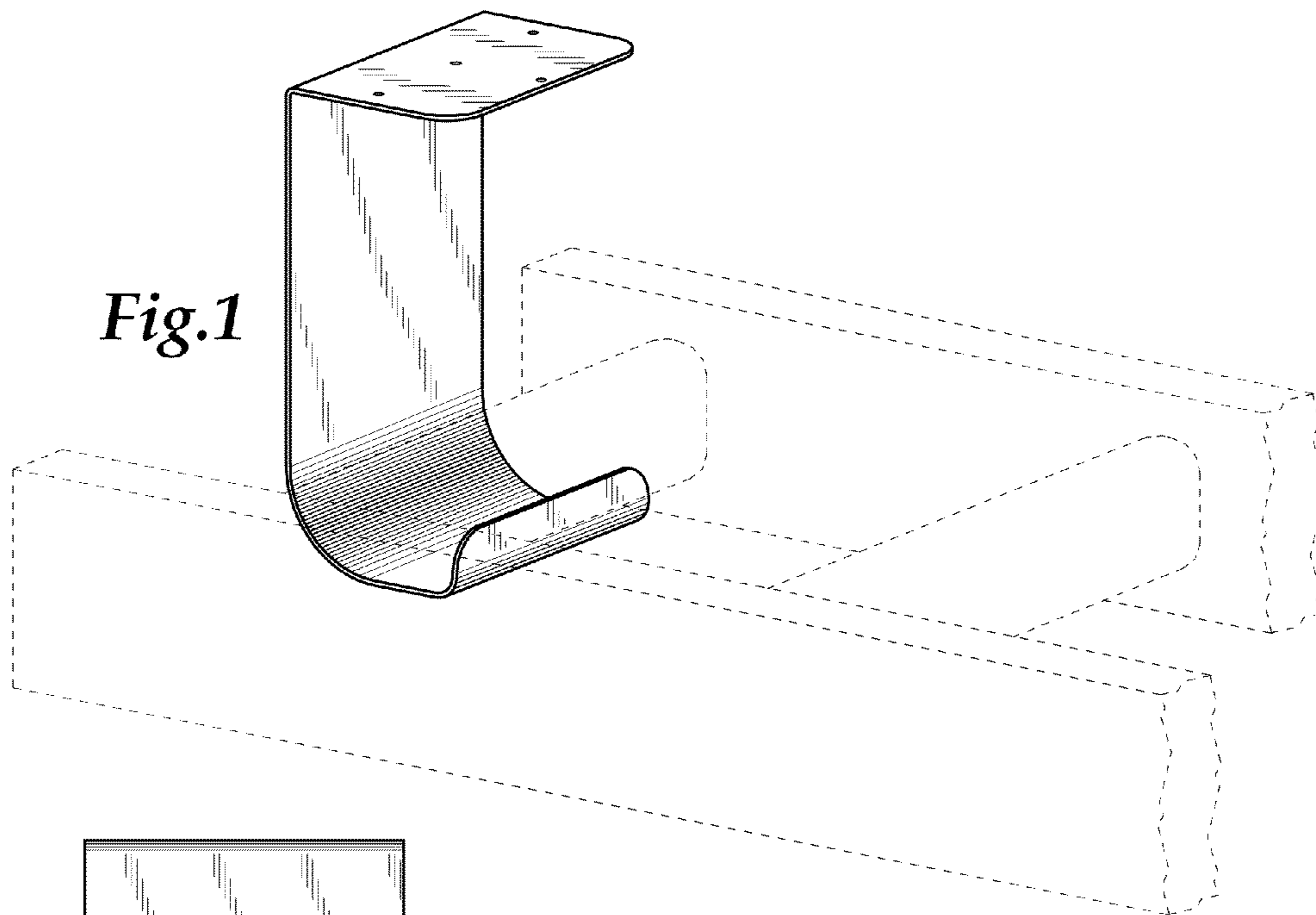


Fig.1

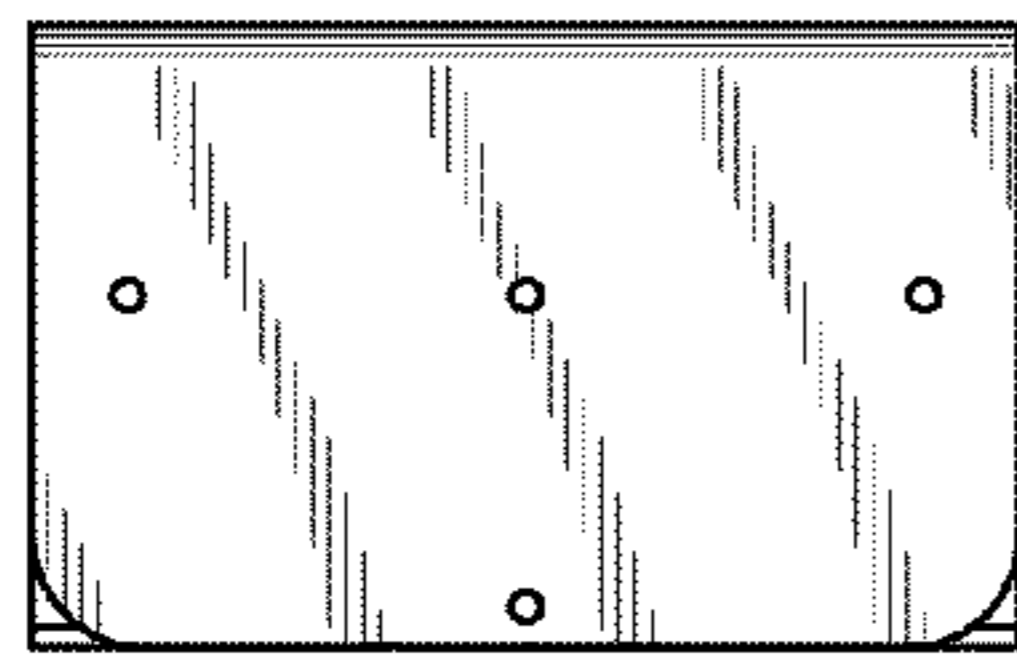


Fig.5

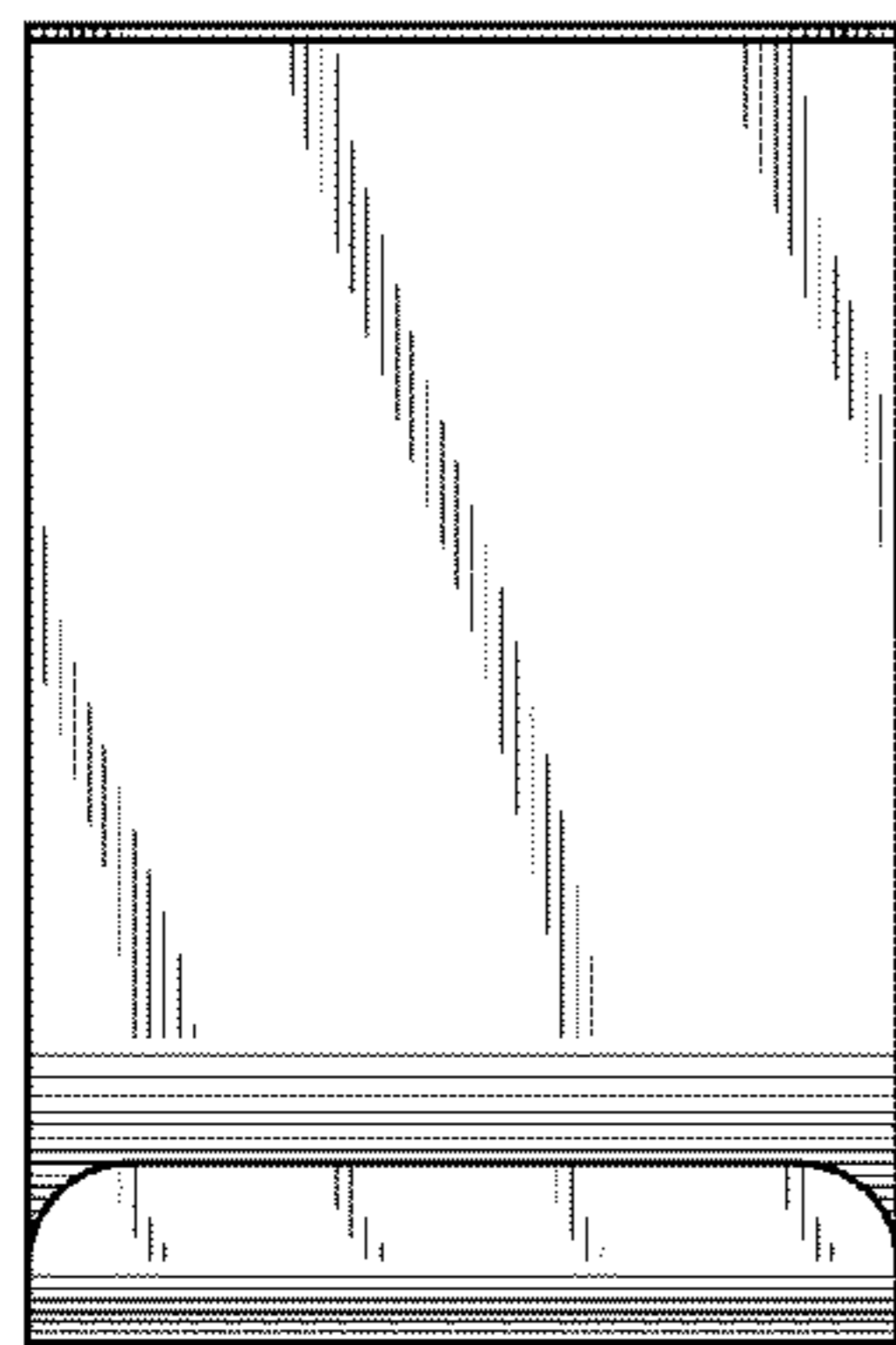


Fig.2

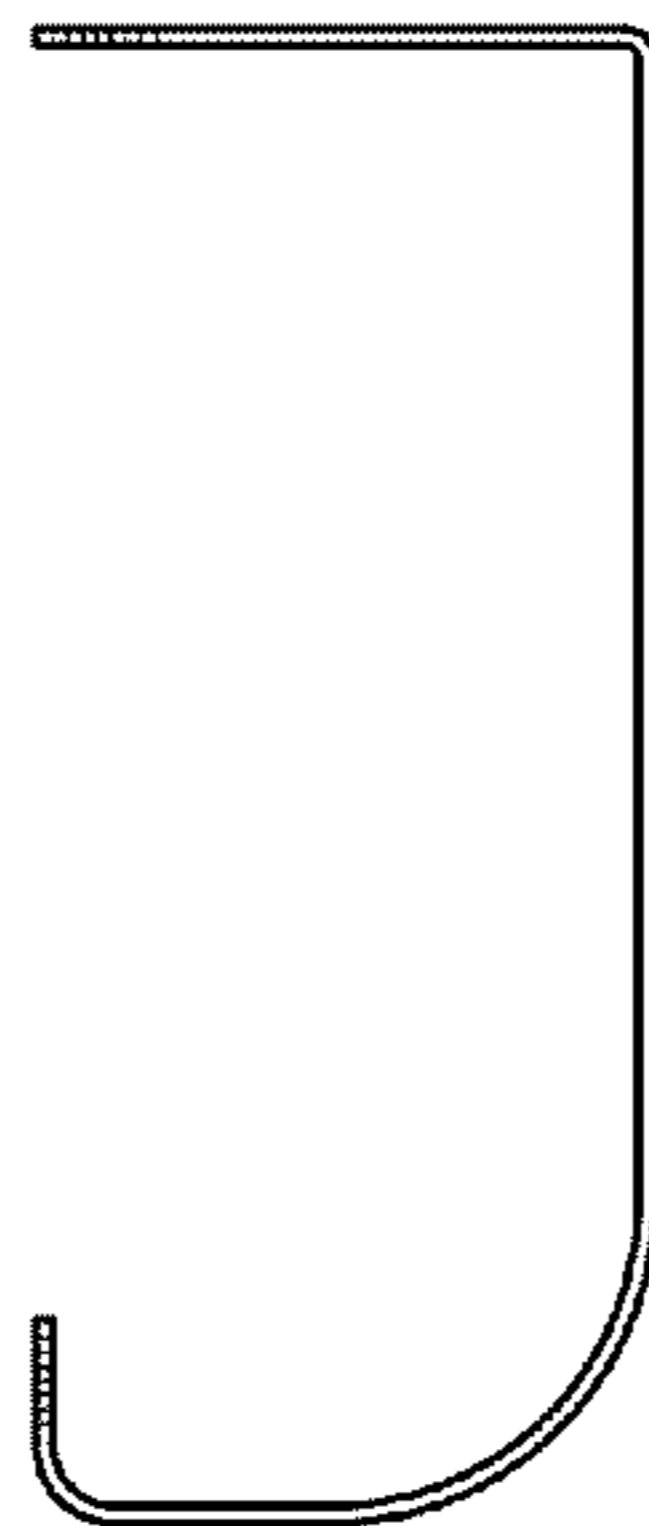


Fig.4



Fig.3

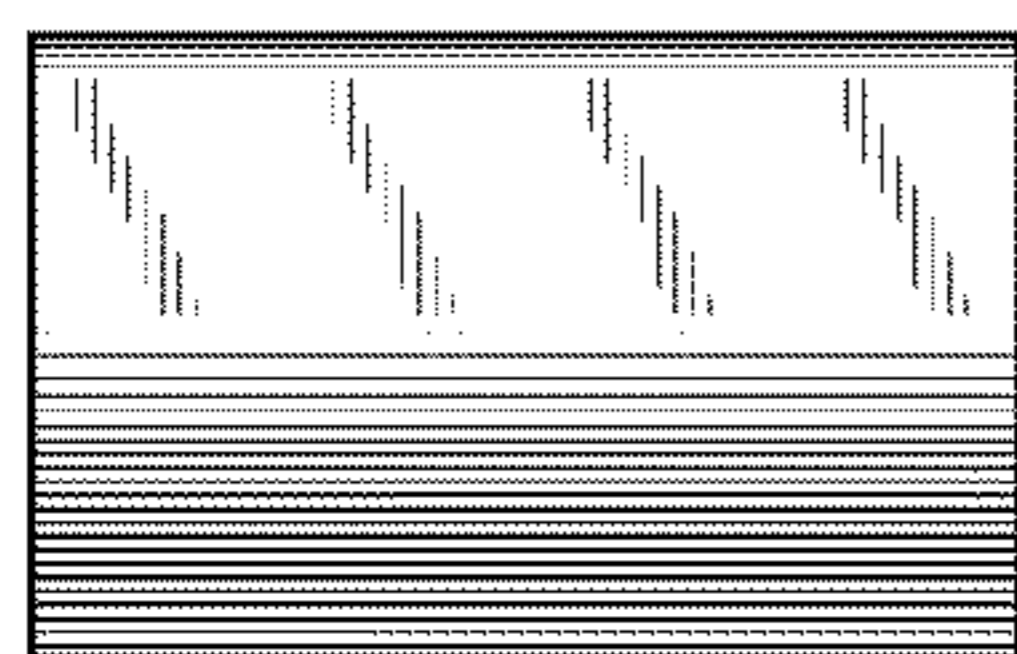


Fig.6