



US00D699093S

(12) **United States Design Patent**
Farnsworth et al.

(10) **Patent No.:** **US D699,093 S**

(45) **Date of Patent:** **** Feb. 11, 2014**

(54) **HINGE**

(75) Inventors: **Hilary Farnsworth**, New Rochelle, NY (US); **Robert Cannetti**, Lindenhurst, NY (US); **Sagar Anatwar**, Stony Brook, NY (US); **June Feldman**, New York, NY (US); **Steven Hamblin**, Daleville, VA (US); **Gunavathi Kuppan**, Ridge, NY (US); **Robert Pandorf**, Titusville, NJ (US); **Joseph Toro**, E. Patchogue, NY (US)

(73) Assignee: **Scranton Products, Inc.**, Scranton, PA (US)

(**) Term: **14 Years**

(21) Appl. No.: **29/410,443**

(22) Filed: **Jan. 9, 2012**

(51) **LOC (10) Cl.** **08-06**

(52) **U.S. Cl.**
USPC **D8/323**

(58) **Field of Classification Search**
USPC D8/367, 353, 354, 349, 356, 352, 351, D8/381, 372, 323, 327, 329; D6/323; 248/301, 304, 214, 215, 508, 354.7, 248/340, 302; D21/662; 294/143; 211/118; 16/87.2, 87.8, 330; 24/DIG. 11; 402/79; D22/144; 184/6.19

See application file for complete search history.

(56) **References Cited**

U.S. PATENT DOCUMENTS

D305,298 S *	1/1990	De Langie	D8/323
D443,196 S *	6/2001	Sosa	D8/323
6,966,150 B2 *	11/2005	Chiang	49/388
7,114,292 B2 *	10/2006	Chiang	49/388
D533,433 S *	12/2006	Loggen	D8/329
D534,053 S *	12/2006	Sozzi	D8/329
D543,830 S *	6/2007	Frank et al.	D8/323
D544,779 S *	6/2007	Loggen	D8/327
D616,282 S *	5/2010	Cosby et al.	D8/323
D653,097 S *	1/2012	Hatano	D8/328
D679,570 S *	4/2013	Farnsworth et al.	D8/323

* cited by examiner

Primary Examiner — Cynthia Underwood

(74) *Attorney, Agent, or Firm* — Buchanan Ingeroll & Rooney PC

(57) **CLAIM**

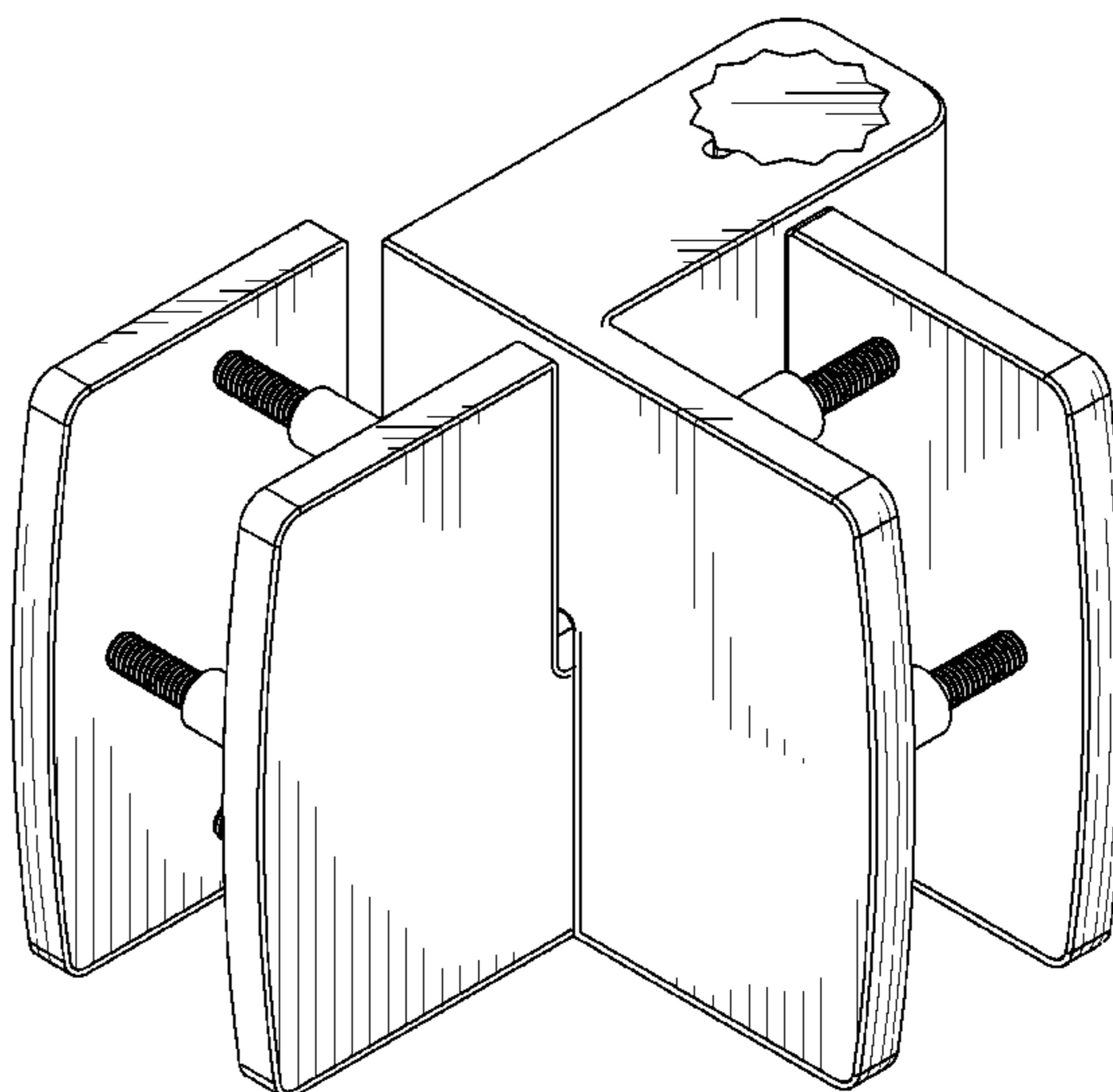
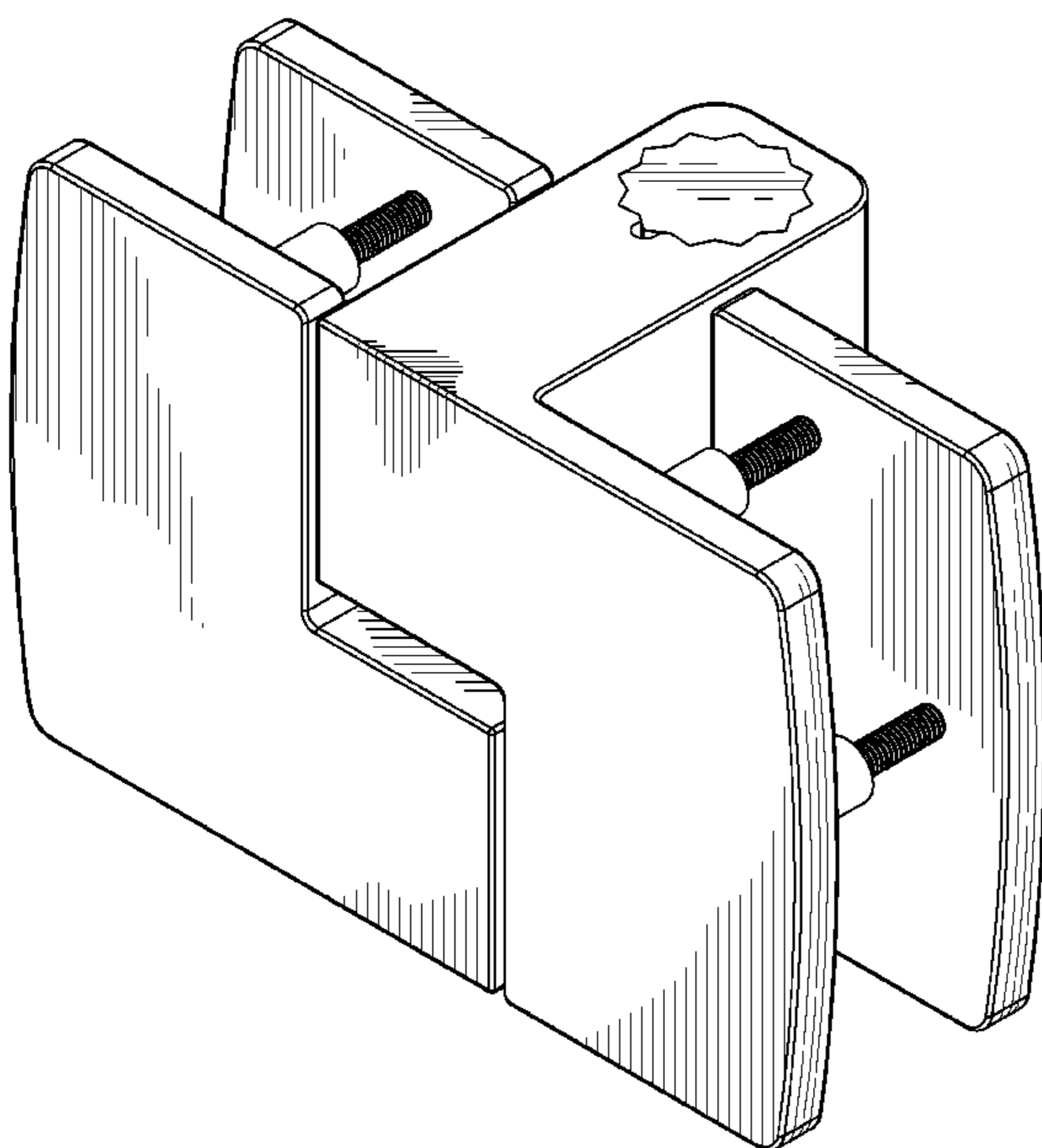
The ornamental design for a hinge, as shown and described.

DESCRIPTION

FIG. 1 is a perspective view of our hinge; FIG. 2 is a top view thereof; FIG. 3 is a bottom view thereof; FIG. 4 is a front view thereof; FIG. 5 is a rear view thereof; FIG. 6 is a left side view thereof, the right view being a mirror image thereof; and, FIG. 7 is a perspective view of FIG. 1 in which one leaf of the hinge has been moved to be perpendicular to the other leaf of the hinge.

The broken lines are included for illustrative purposes and form no part of the claimed design.

1 Claim, 5 Drawing Sheets



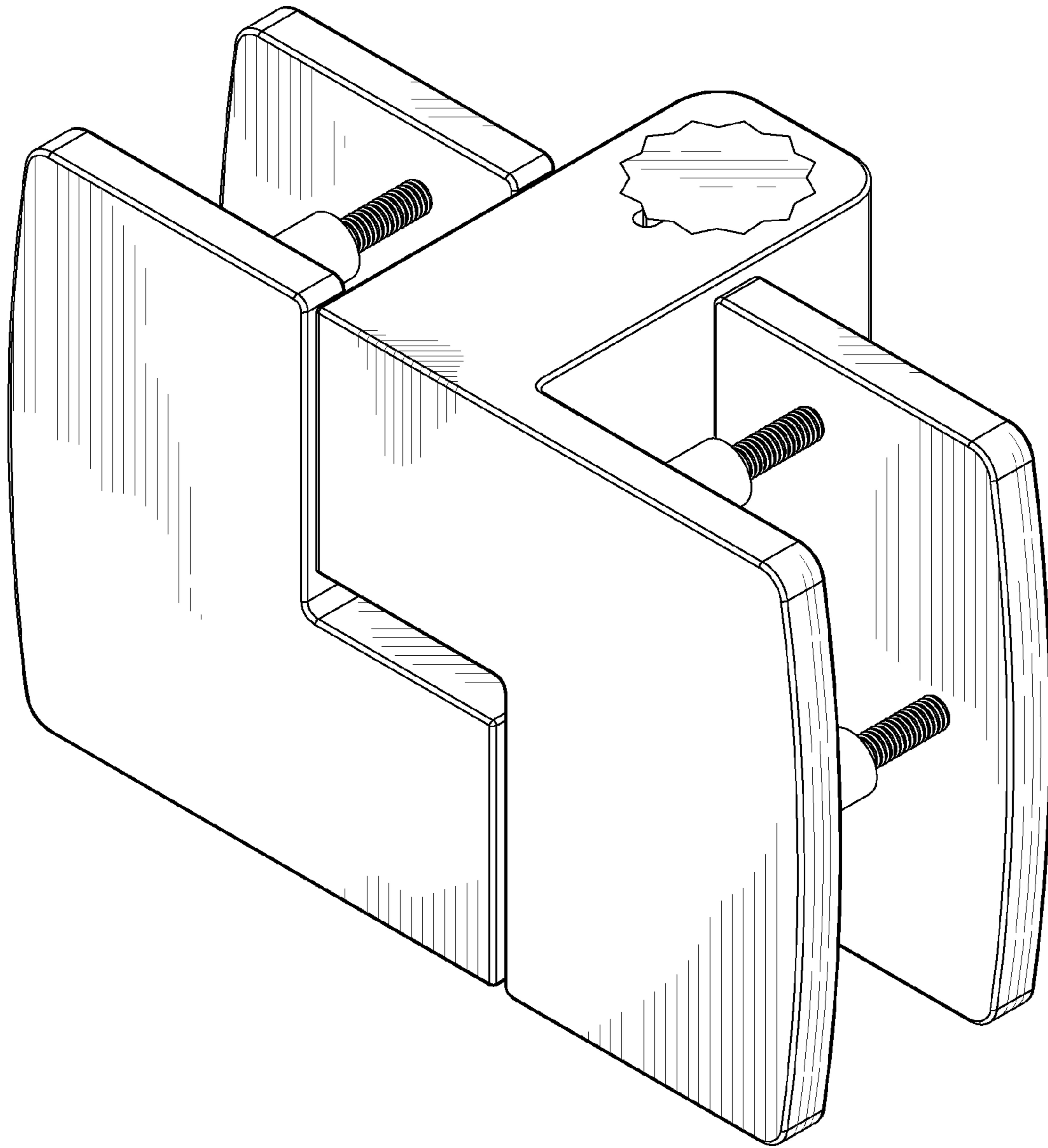


FIG. 1

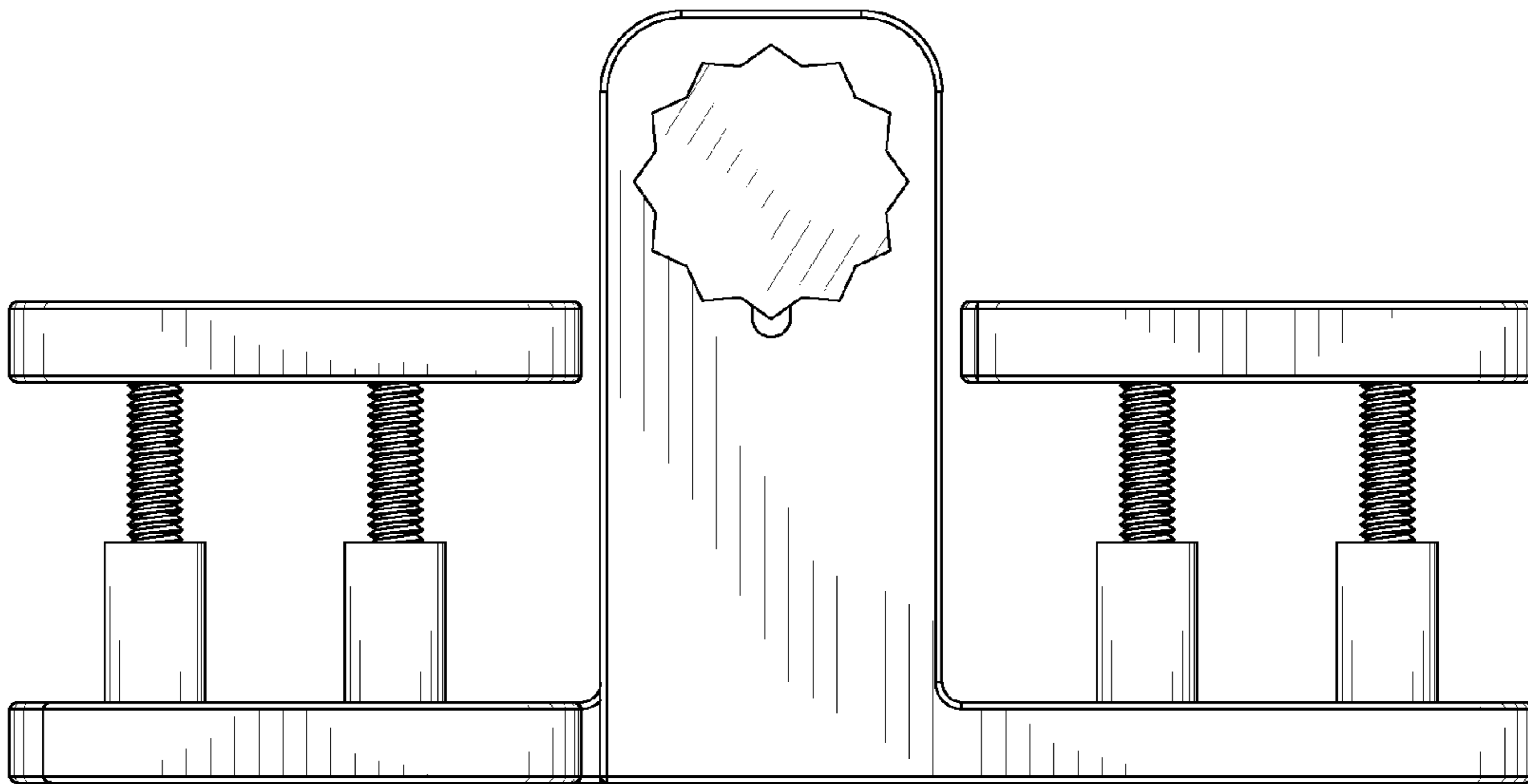


FIG. 2

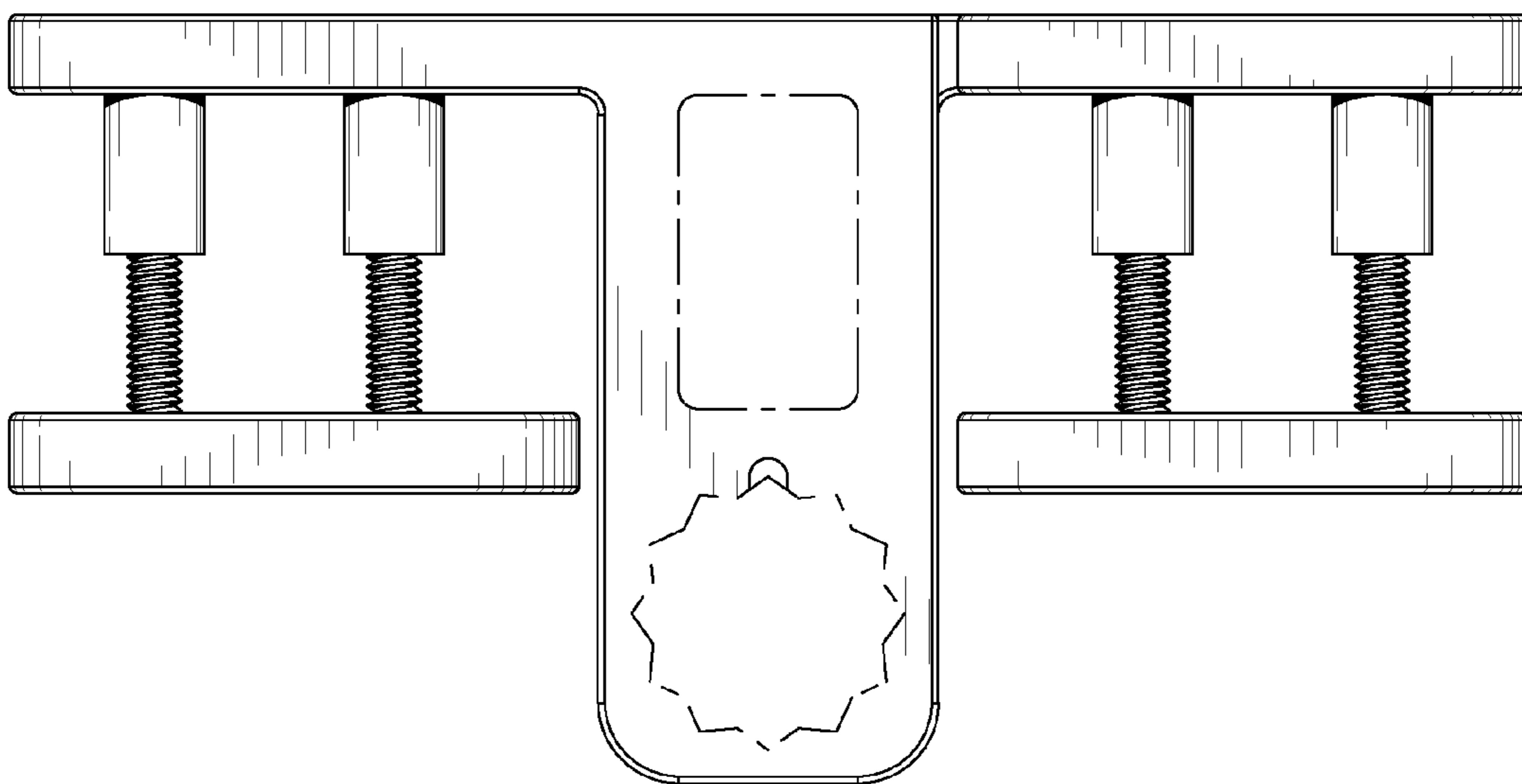


FIG. 3

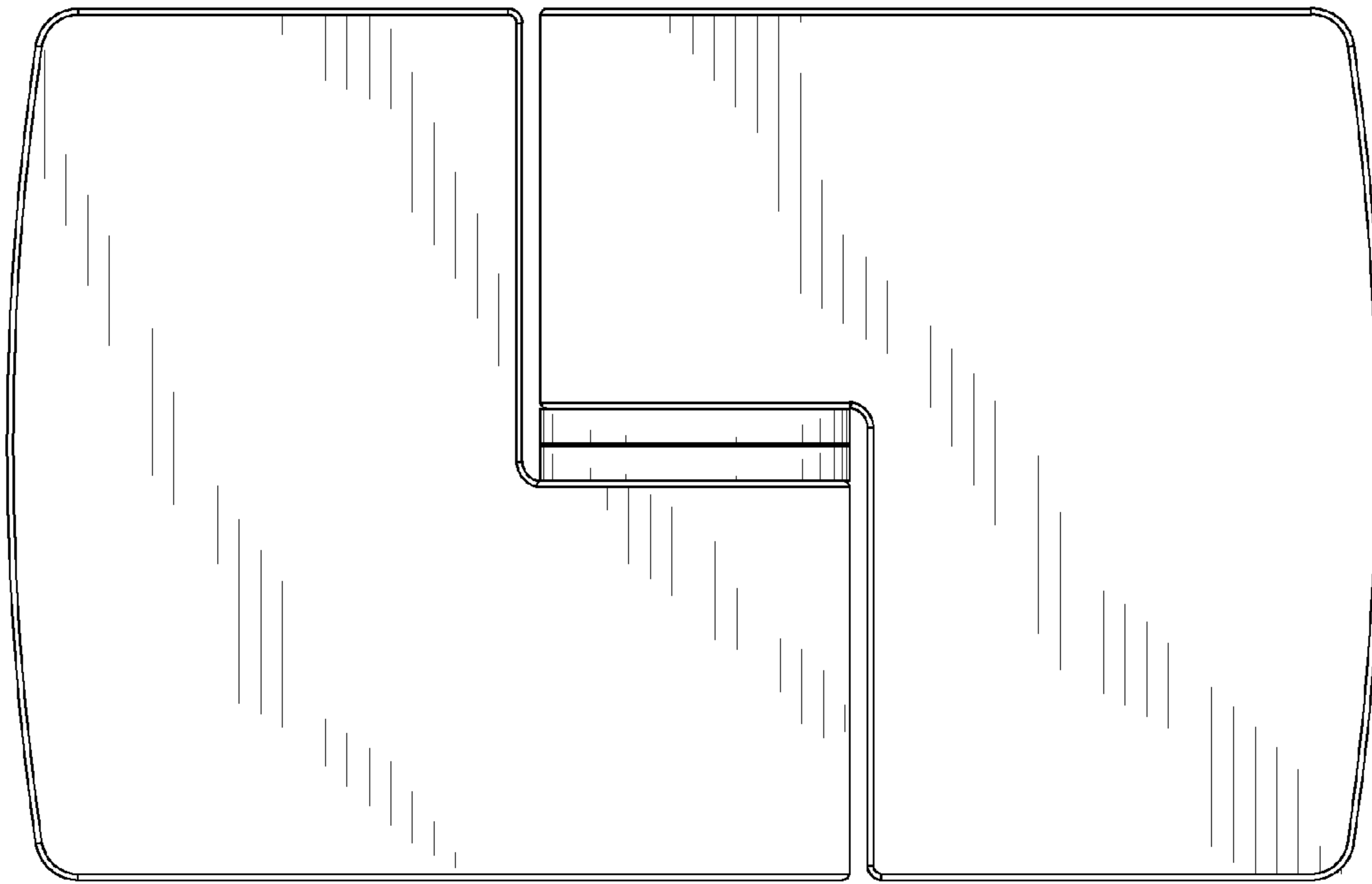


FIG. 4

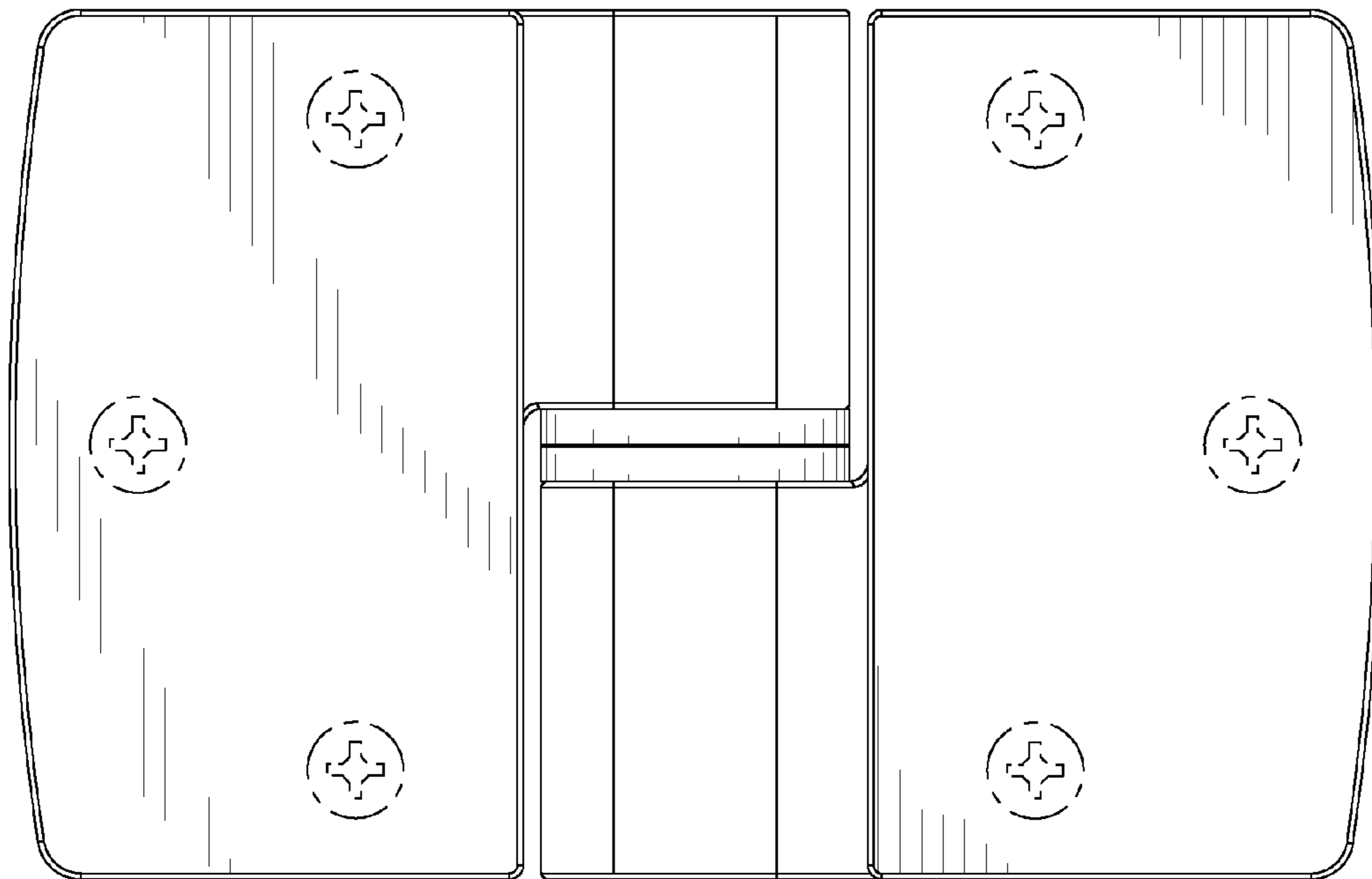


FIG. 5

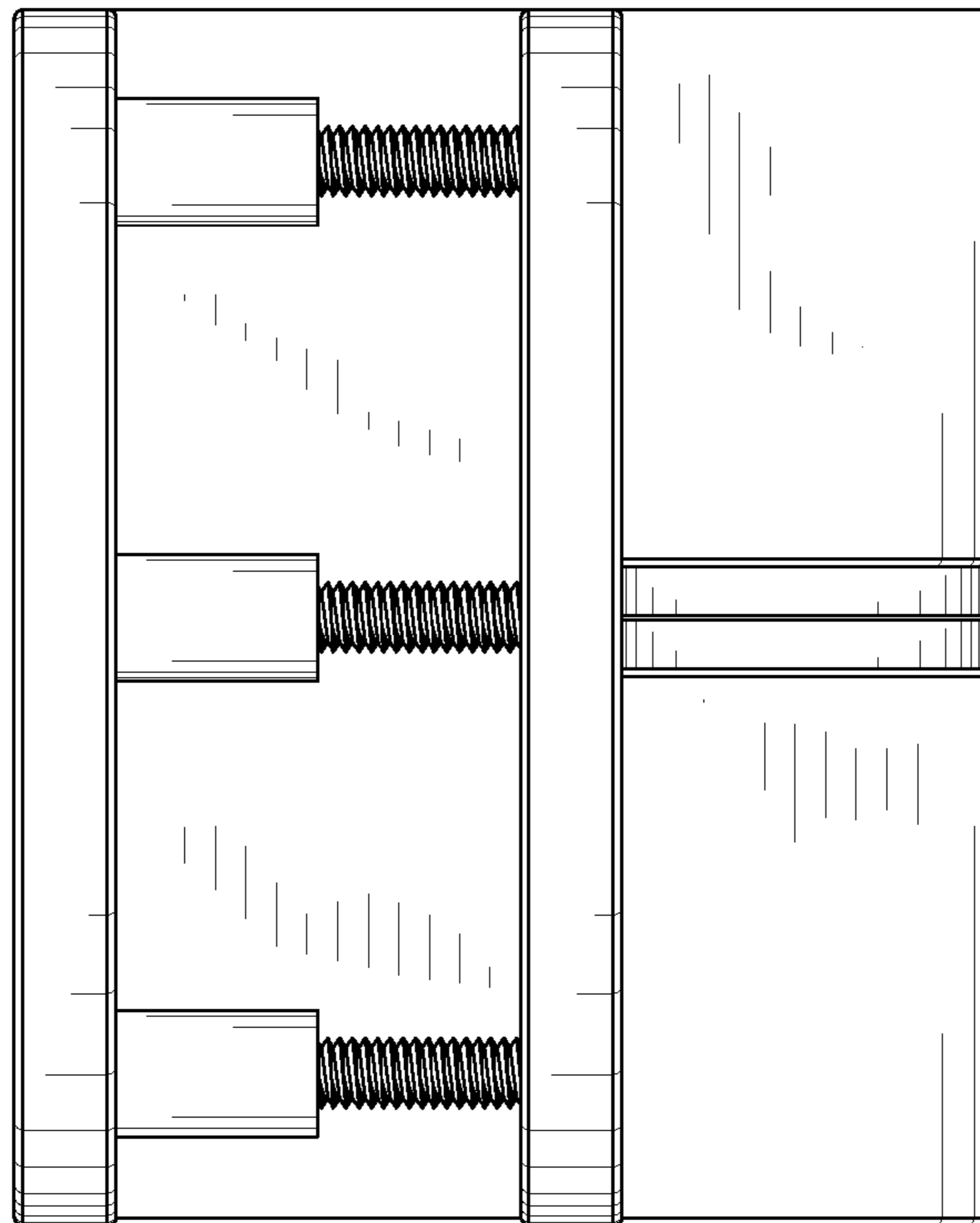


FIG. 6

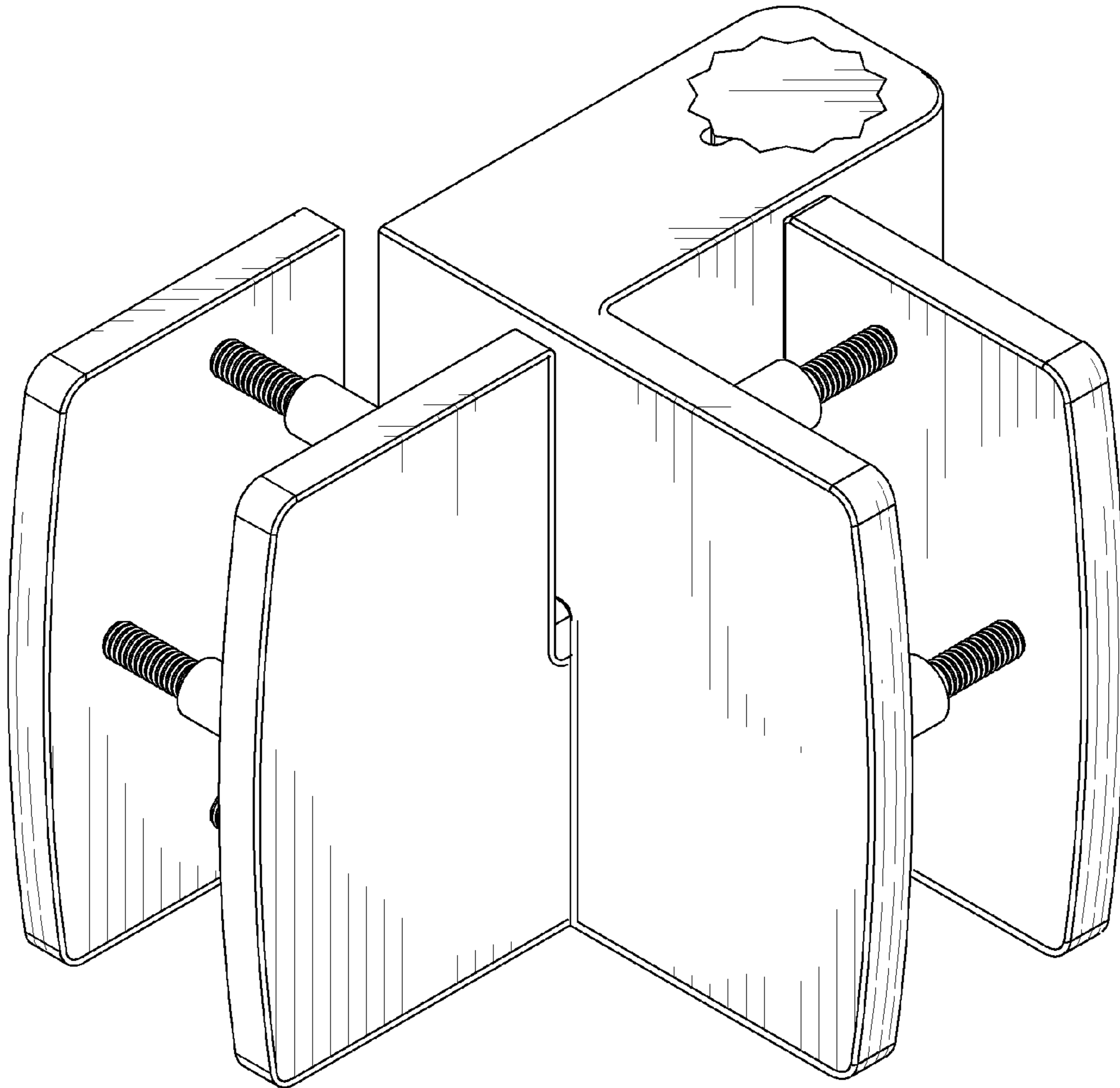


FIG. 7