



US00D699088S

(12) **United States Design Patent**
Abe et al.

(10) **Patent No.:** **US D699,088 S**

(45) **Date of Patent:** **** Feb. 11, 2014**

(54) **PORTABLE ELECTRIC CIRCULAR SAW**

(71) Applicant: **Makita Corporation**, Anjo (JP)

(72) Inventors: **Kenji Abe**, Anjo (JP); **Shinsuke Okuda**, Anjo (JP)

(73) Assignee: **Makita Corporation**, Anjo-shi (JP)

(**) Term: **14 Years**

(21) Appl. No.: **29/465,895**

(22) Filed: **Sep. 3, 2013**

(30) **Foreign Application Priority Data**

May 22, 2013 (JP) 2013-011185

(51) **LOC (10) Cl.** **08-03**

(52) **U.S. Cl.**
USPC **D8/66**

(58) **Field of Classification Search**
USPC D8/69, 68, 67, 66, 64, 61, 70;
83/698.41, 747, 166.3, 374, 373, 375,
83/376, 391, 377, 390, 388, 389;
125/13.01; 144/218

See application file for complete search history.

(56) **References Cited**

U.S. PATENT DOCUMENTS

D555,450 S * 11/2007 Van Wambeke D8/66
D568,705 S * 5/2008 Lopano et al. D8/66
D578,853 S * 10/2008 Gallagher et al. D8/66
7,526,866 B2 * 5/2009 Schnell et al. 30/124
D632,940 S * 2/2011 Yamamoto et al. D8/66

D638,681 S * 5/2011 Yamada et al. D8/66
D653,513 S * 2/2012 Tirone D8/66
D654,340 S * 2/2012 Kawase et al. D8/66
D685,243 S * 7/2013 Waldron D8/66

* cited by examiner

Primary Examiner — Austin Murphy

(74) *Attorney, Agent, or Firm* — Global IP Counselors, LLP

(57) **CLAIM**

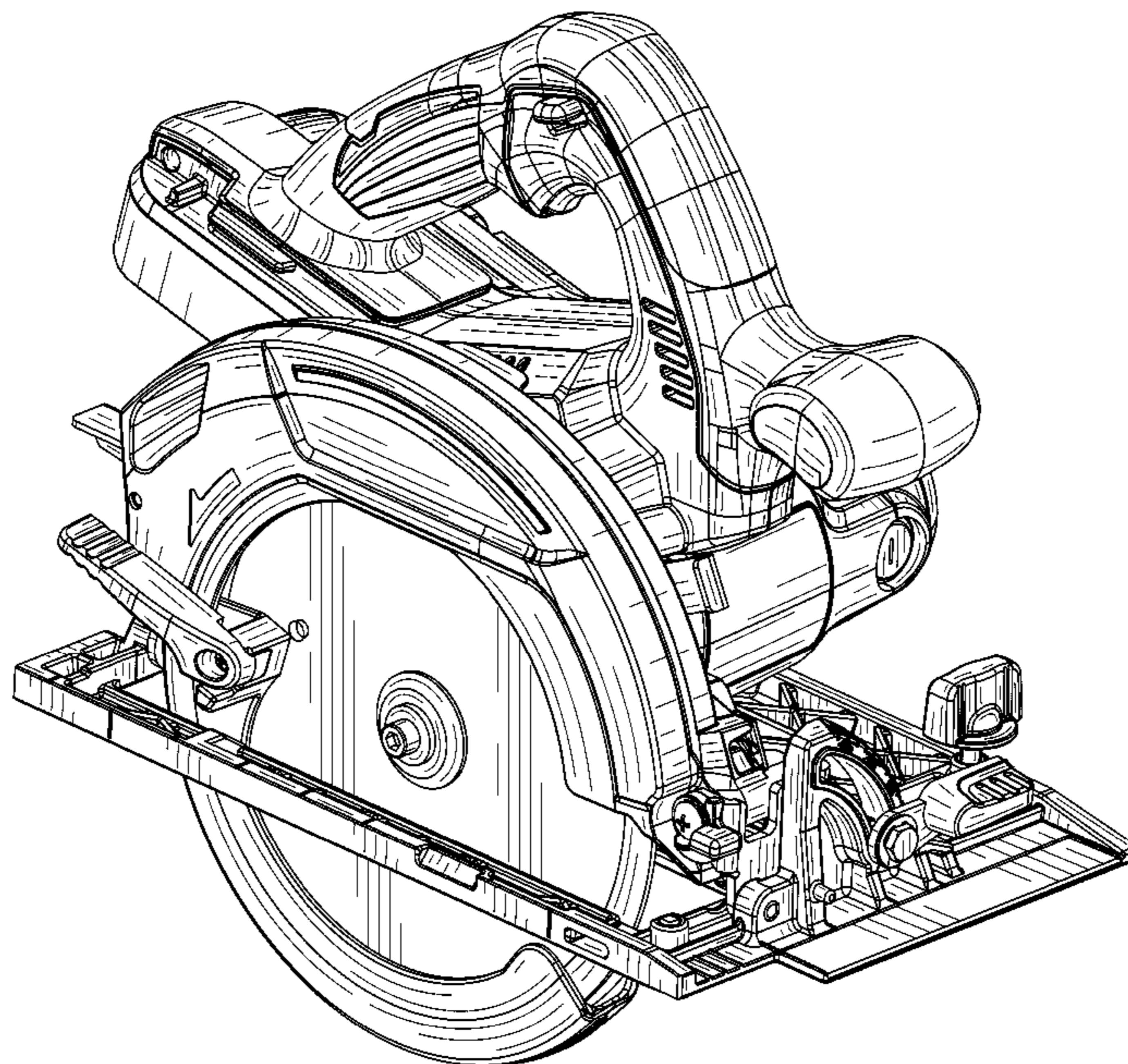
The ornamental design for a portable electric circular saw, as shown and described.

DESCRIPTION

FIG. 1 is a front perspective view of a portable electric circular saw in accordance with our new design;
FIG. 2 is a rear perspective view of the portable electric circular saw in accordance with our new design;
FIG. 3 is a front elevational view of the portable electric circular saw in accordance with our new design;
FIG. 4 is a rear elevational view of the portable electric circular saw in accordance with our new design;
FIG. 5 is a top plan view of the portable electric circular saw in accordance with our new design;
FIG. 6 is a bottom plan view of the portable electric circular saw in accordance with our new design;
FIG. 7 is a right side elevational view of the portable electric circular saw in accordance with our new design;
FIG. 8 is a left side elevational view of the portable electric circular saw in accordance with our new design; and,
FIG. 9 is a rear perspective view, similar to FIG. 2 of the portable electric circular saw in accordance with our new design illustrating a state in which a rechargeable battery is attached to the portable electric circular saw.

The broken line showing of environment forms no part of the claimed design.

1 Claim, 9 Drawing Sheets



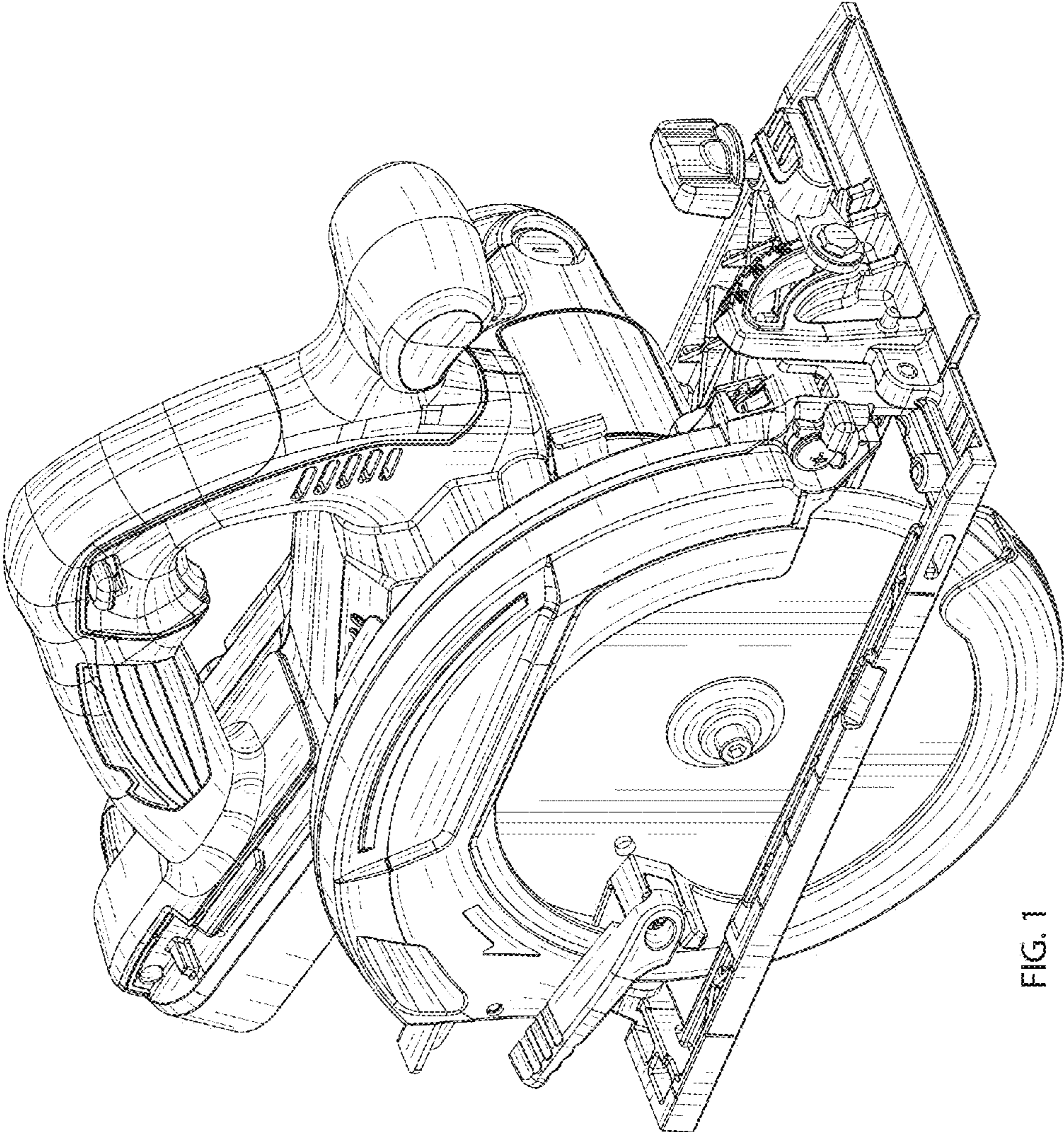


FIG. 1

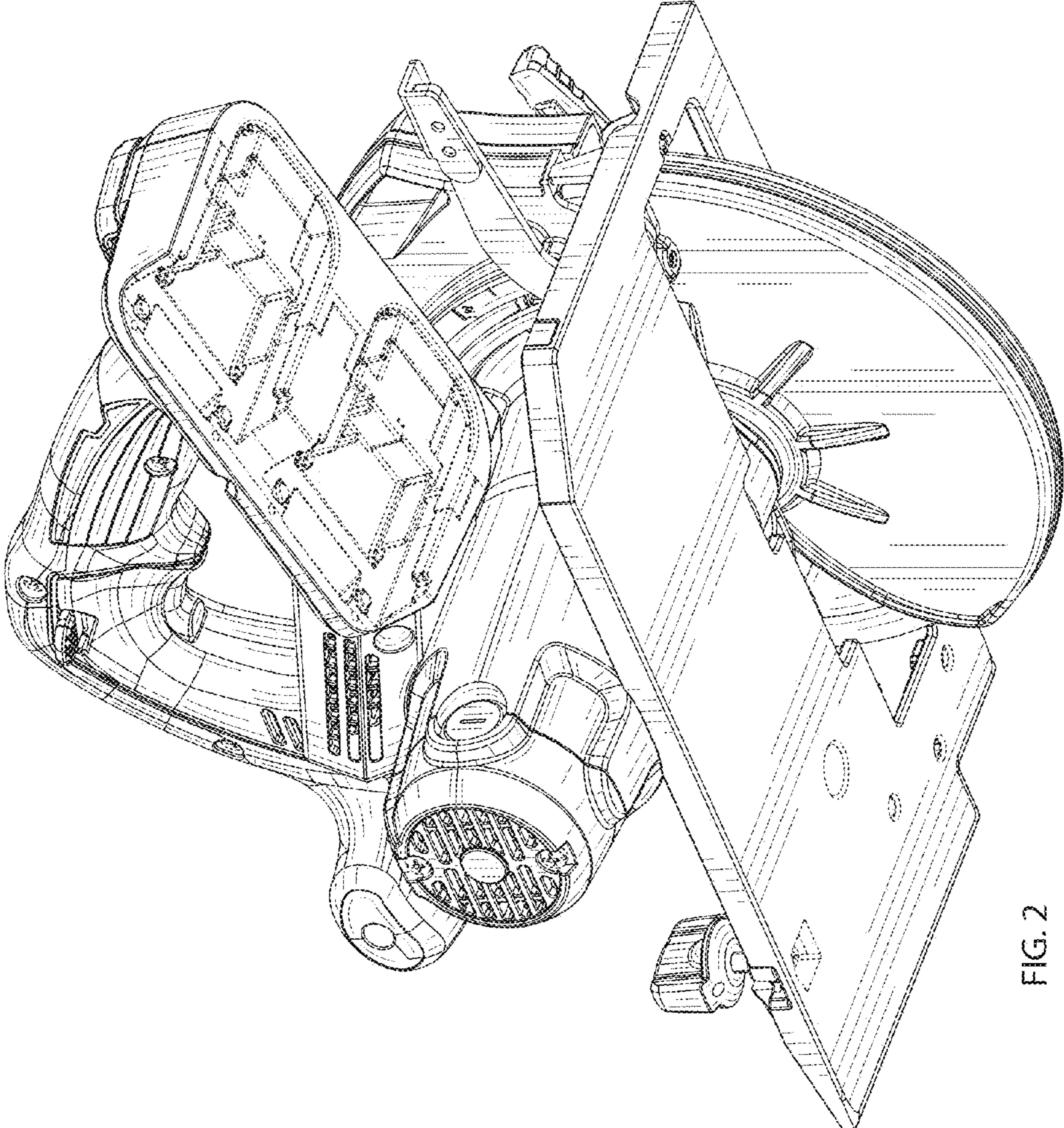


FIG. 2

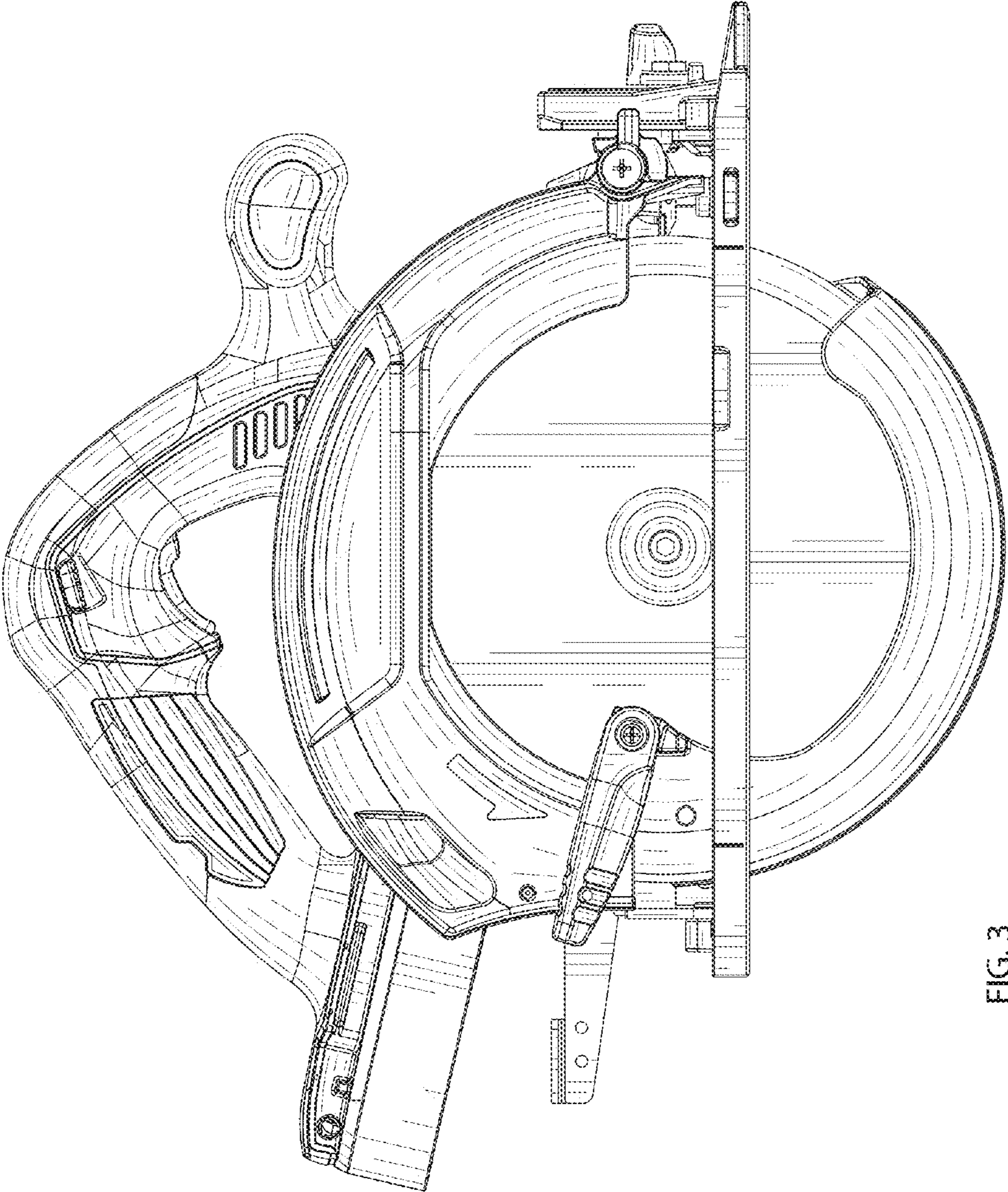


FIG. 3

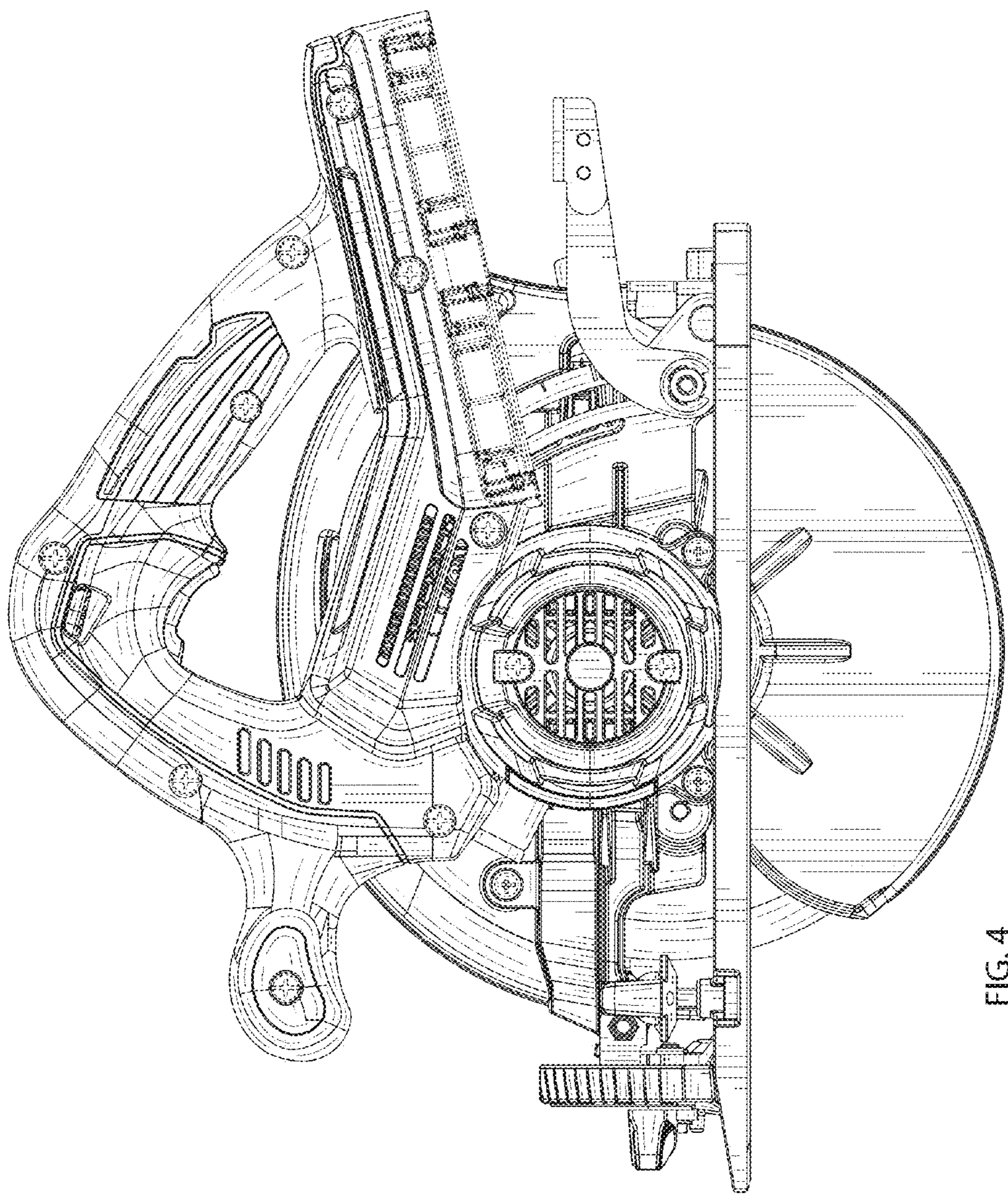


FIG. 4

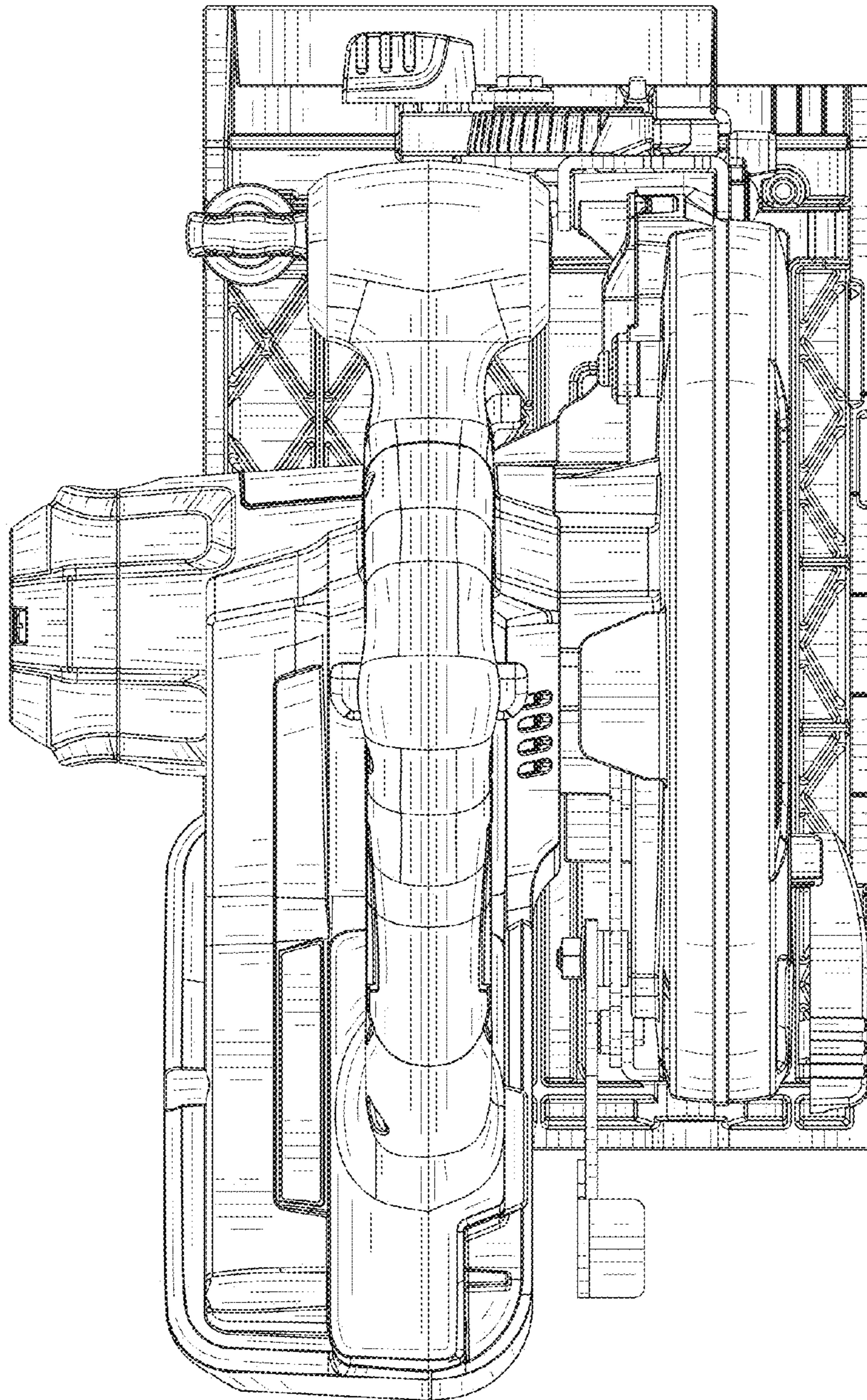


FIG. 5

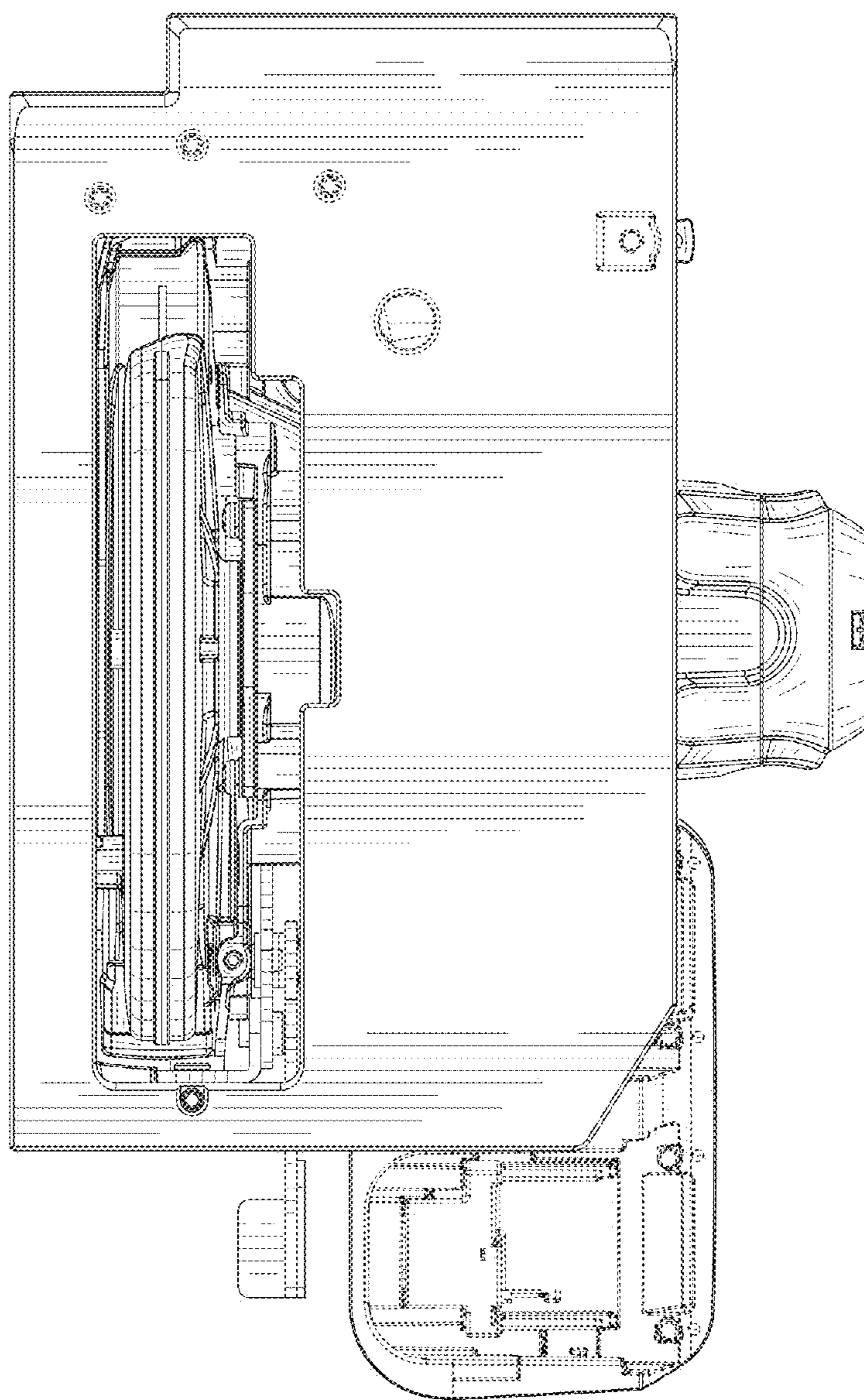


FIG. 6

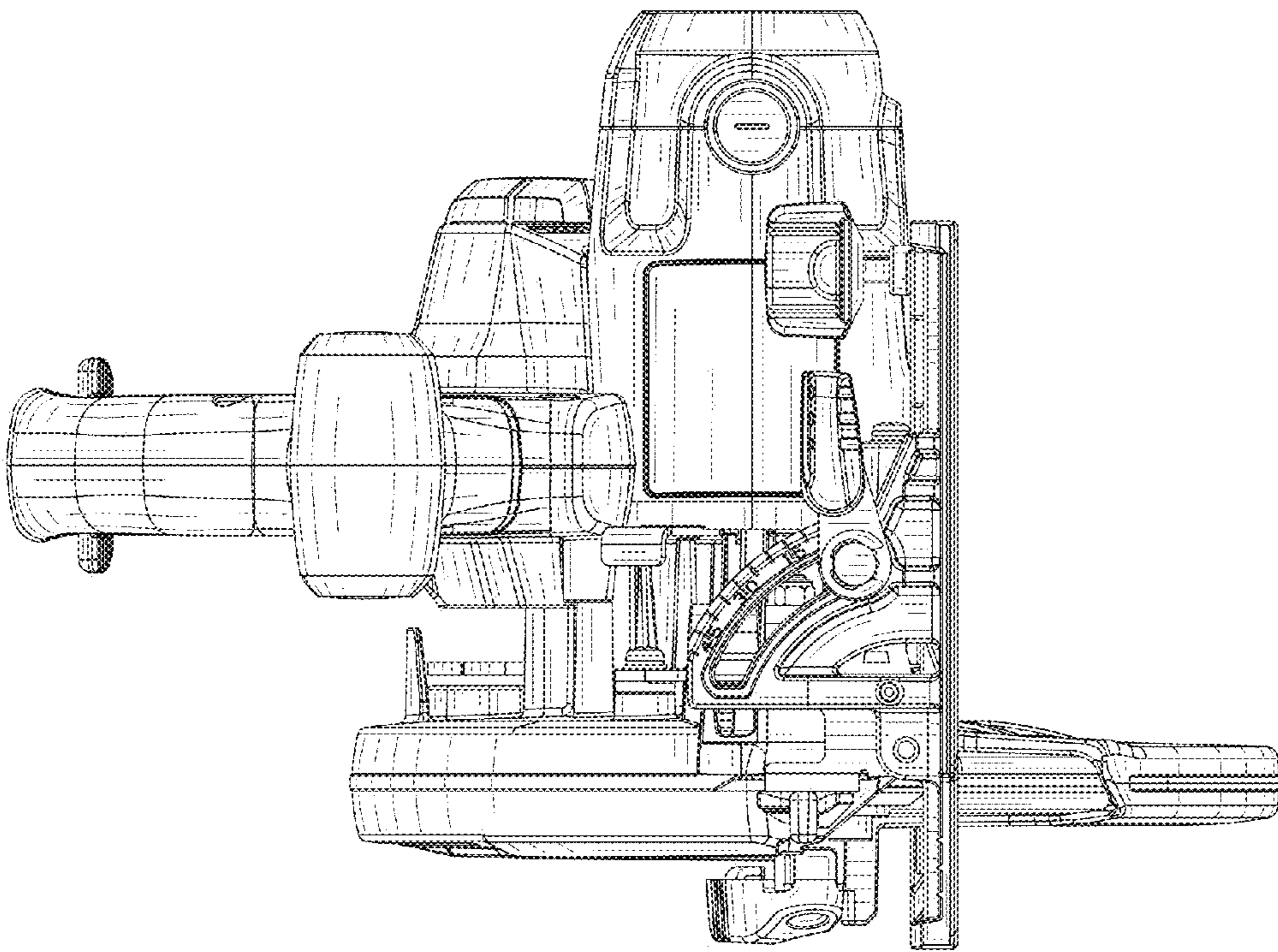


FIG. 7

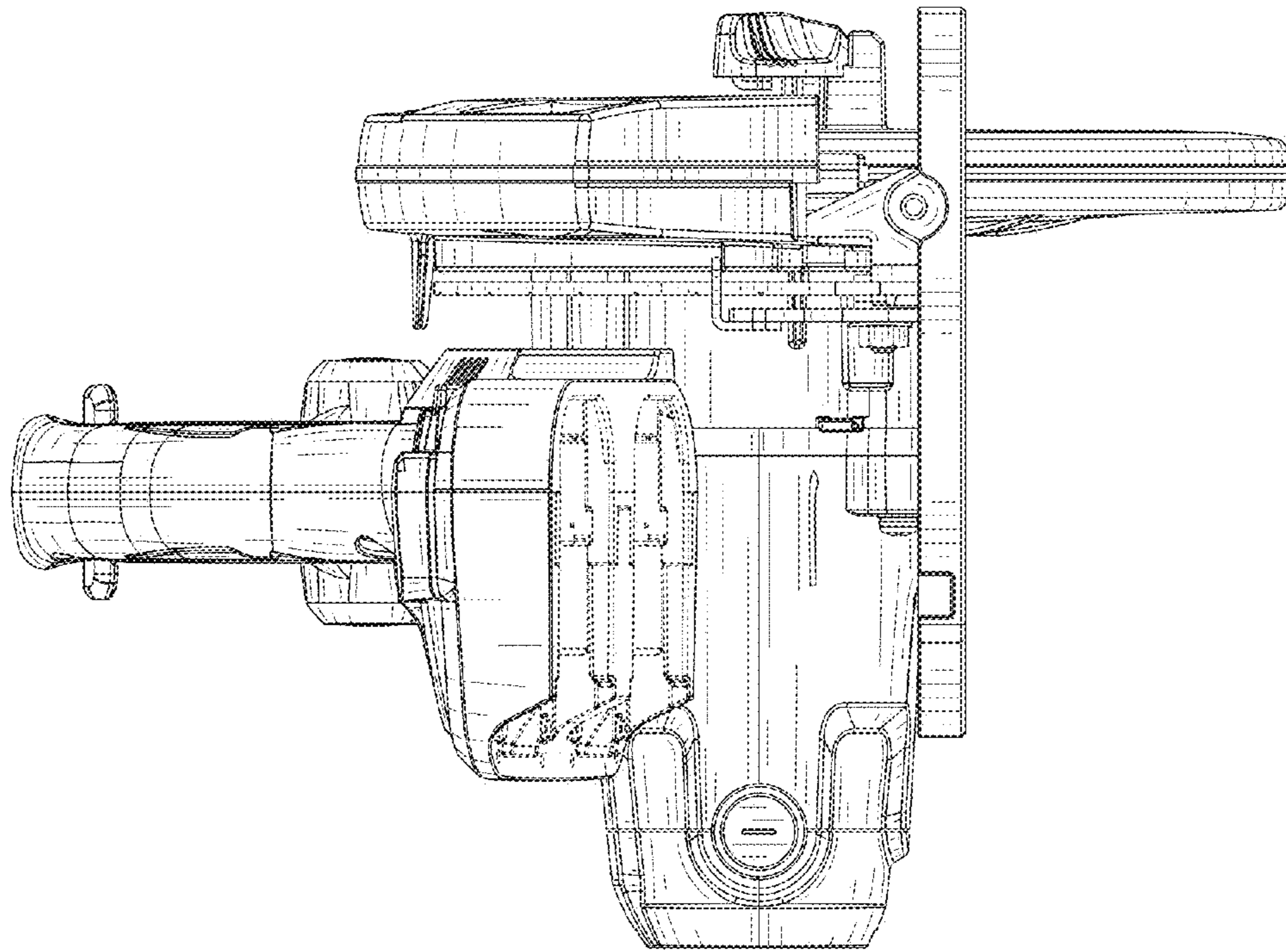


FIG. 8

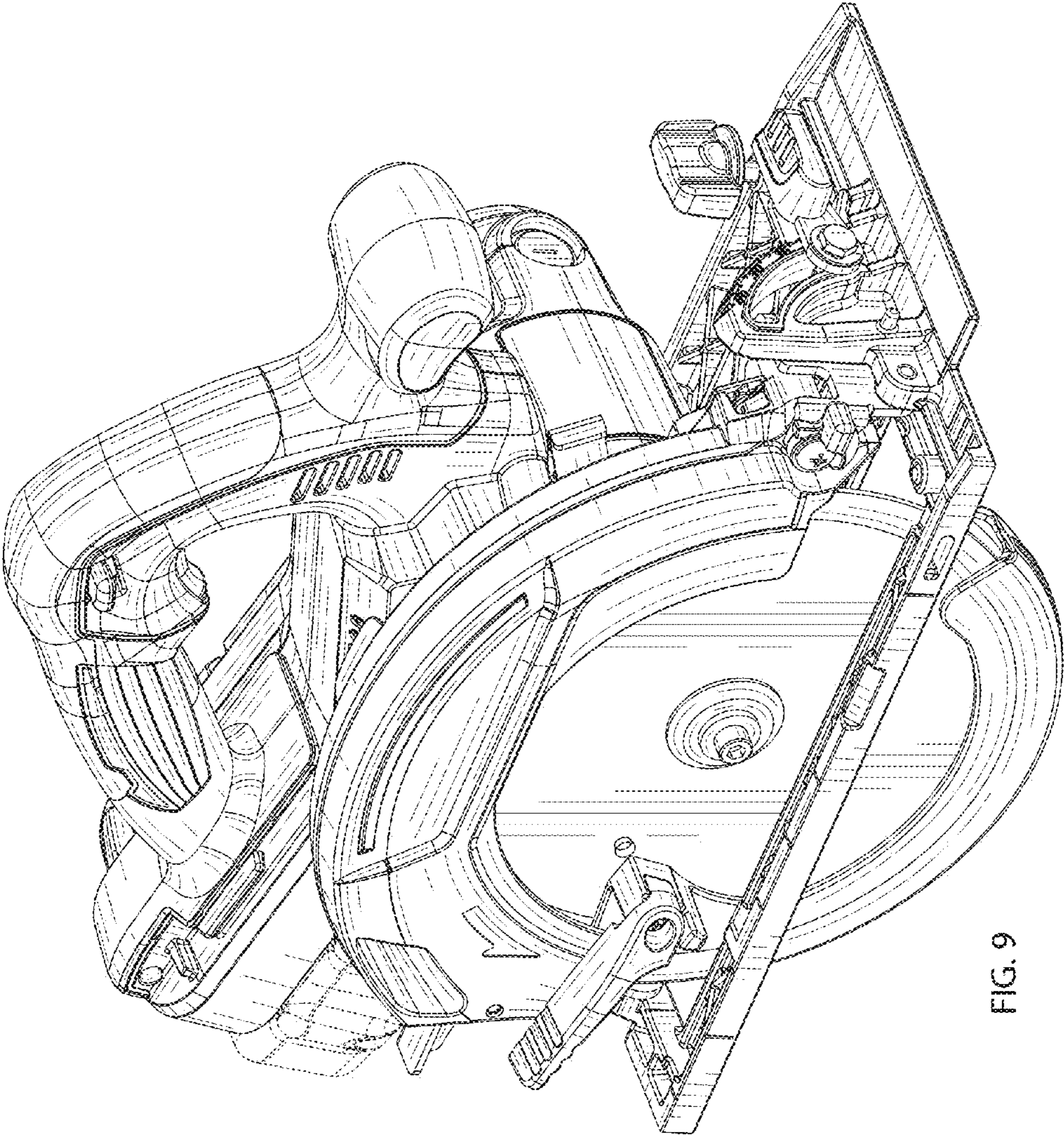


FIG. 9