



US00D699086S

(12) **United States Design Patent**
Christopher

(10) **Patent No.:** **US D699,086 S**

(45) **Date of Patent:** **** Feb. 11, 2014**

(54) **SHOVEL**

(71) Applicant: **Meridian International Co., Ltd.**,
Shanghai (CN)

(72) Inventor: **Brent Christopher**, Centennial, CO
(US)

(73) Assignee: **Meridian International Co., Ltd.**,
Shanghai (CN)

(**) Term: **14 Years**

(21) Appl. No.: **29/454,406**

(22) Filed: **May 9, 2013**

(51) **LOC (10) Cl.** **08-01**

(52) **U.S. Cl.**
USPC **D8/10**

(58) **Field of Classification Search**
USPC D8/7, 10; 294/49, 53.5, 54.5, 57, 55.5,
294/51, 56, 58; 56/400.01, 400.14;
172/371-372
See application file for complete search history.

(56) **References Cited**

U.S. PATENT DOCUMENTS

3,186,750	A *	6/1965	Nelson	294/56
5,533,768	A *	7/1996	Mitchell	294/54.5
5,727,831	A *	3/1998	Dritlein, Jr.	294/59
D506,654	S *	6/2005	Costa	D8/10
D596,470	S *	7/2009	Greenly	D8/10
D602,751	S *	10/2009	Boies et al.	D8/10
D606,817	S *	12/2009	Boies	D8/10
7,677,621	B1 *	3/2010	Guadalupe, Sr.	294/49

D617,615	S *	6/2010	Randolph et al.	D8/10
D621,670	S *	8/2010	Jusidman Rubinstein	D8/10
D634,996	S *	3/2011	Randolph et al.	D8/10
D688,540	S *	8/2013	Sheinberg Frenkel	D8/10
D688,541	S *	8/2013	Frenkel	D8/10

OTHER PUBLICATIONS

Ames True Temper—Excavator Round Point Shovel with Power Step and Ergo Cushion D-grip—Screen print from webpage <http://amestruetemper.com/products/detail.aspx?ProductId=97&SubFamilyId=88&FamilyId=81&LineId=78>—Date unknown but prior to U.S. filing date.

* cited by examiner

Primary Examiner — Sheryl Lane

(74) *Attorney, Agent, or Firm* — Jason R. Sytsma; Shuttleworth & Ingersoll, PLC

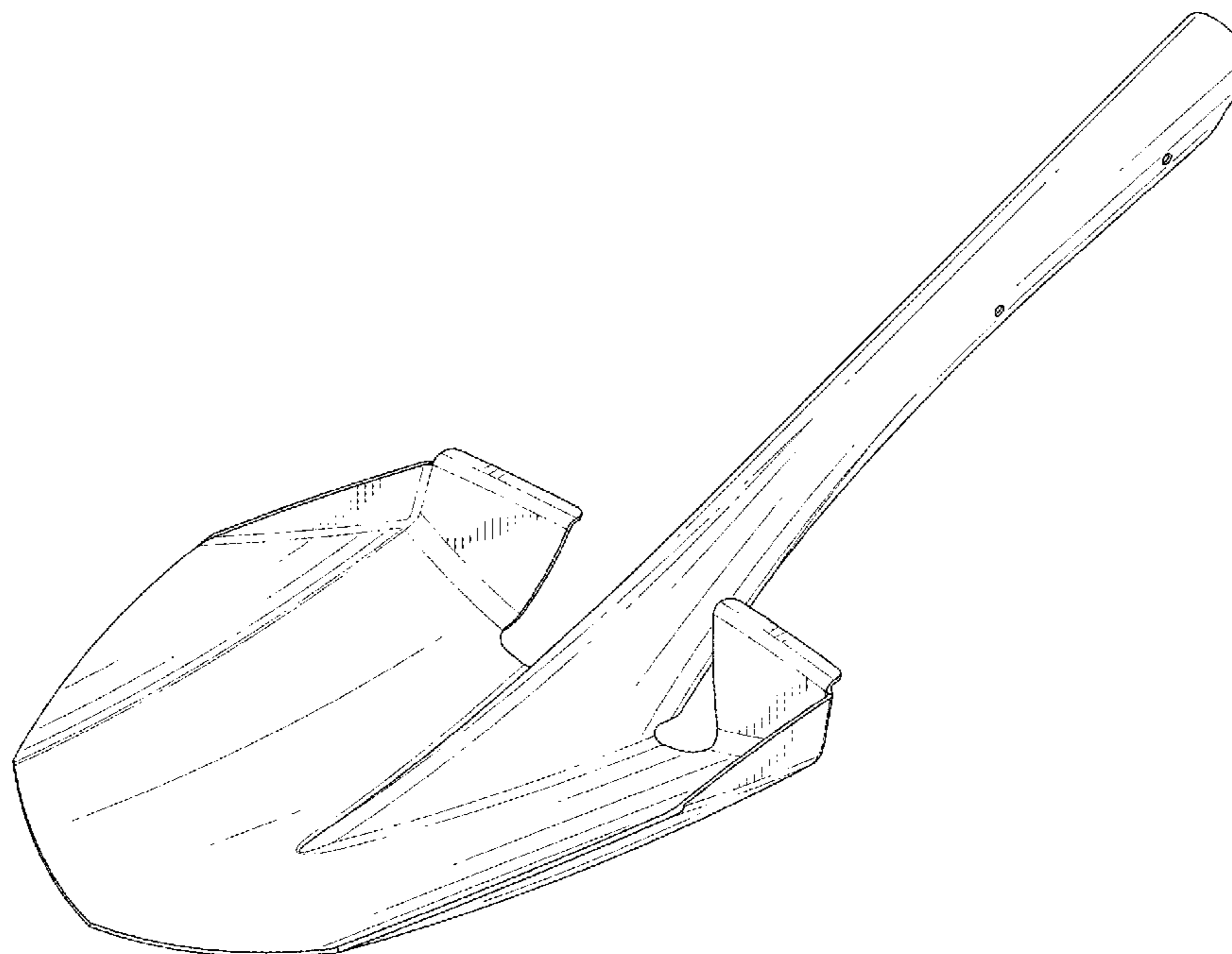
(57) **CLAIM**

The ornamental design for the shovel, shown and described.

DESCRIPTION

FIG. 1 is a perspective view of a shovel according to the invention;
FIG. 2 is a front view of the shovel of FIG. 1;
FIG. 3 is back view of the shovel of FIG. 1;
FIG. 4 is a right-side view of the shovel of FIG. 1;
FIG. 5 is a left-side view of the shovel of FIG. 1;
FIG. 6 is a top-side view of the shovel of FIG. 1; and,
FIG. 7 is a bottom-side view of the shovel of FIG. 1.
The broken lines are included for the purpose of illustrating the environment in which the claimed invention is being used, which form no part of the claimed design.

1 Claim, 5 Drawing Sheets



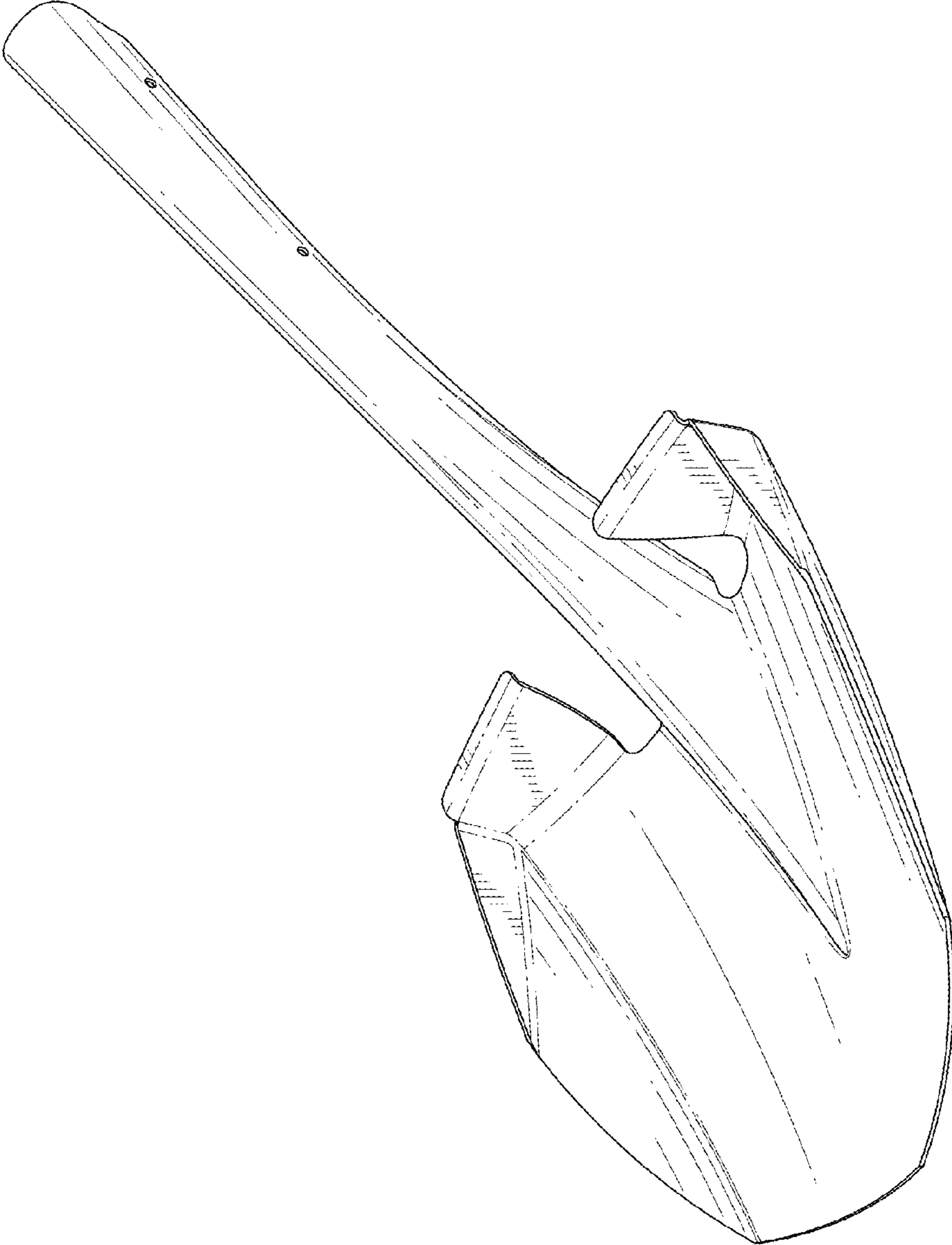


FIG.1

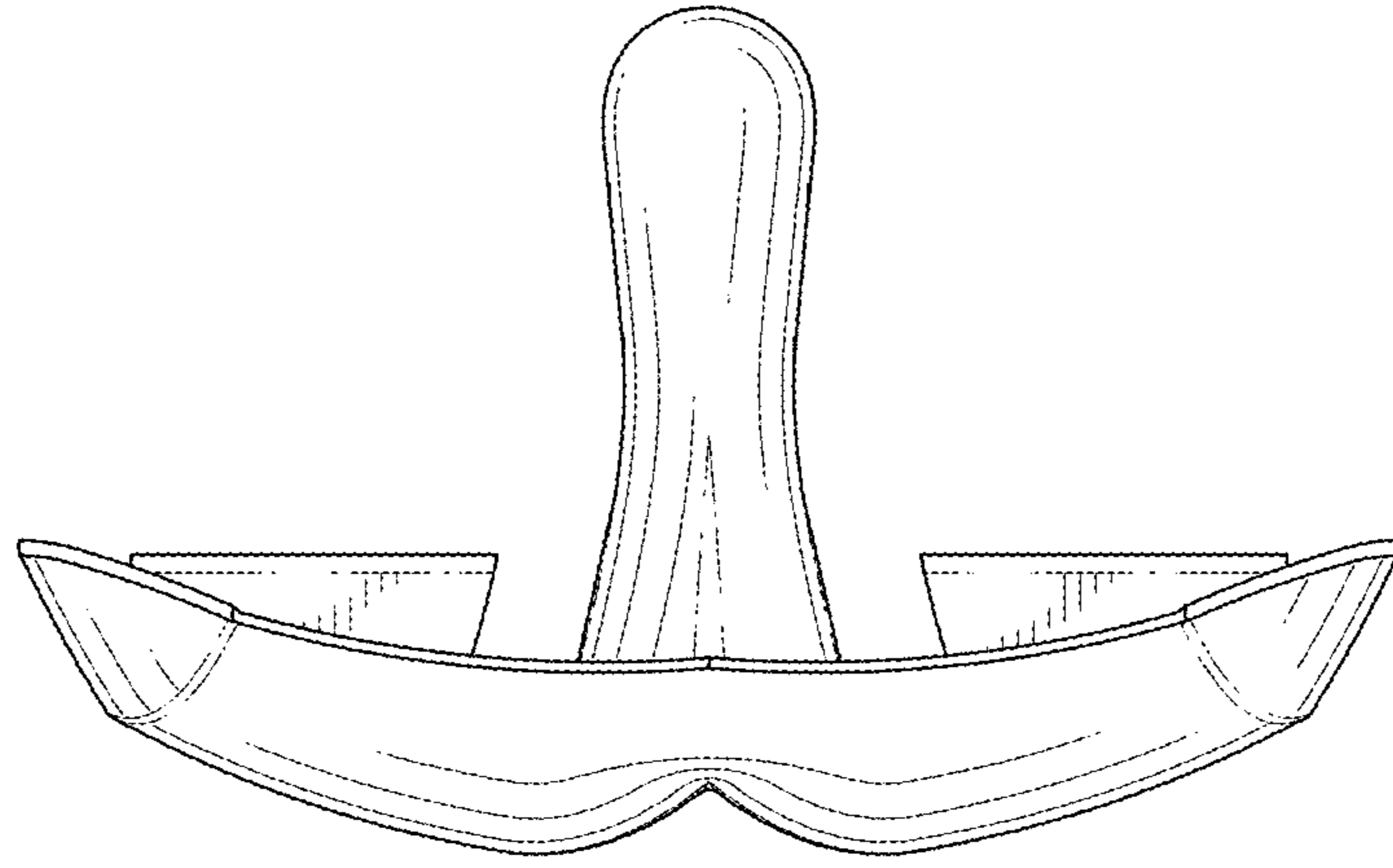


FIG. 2

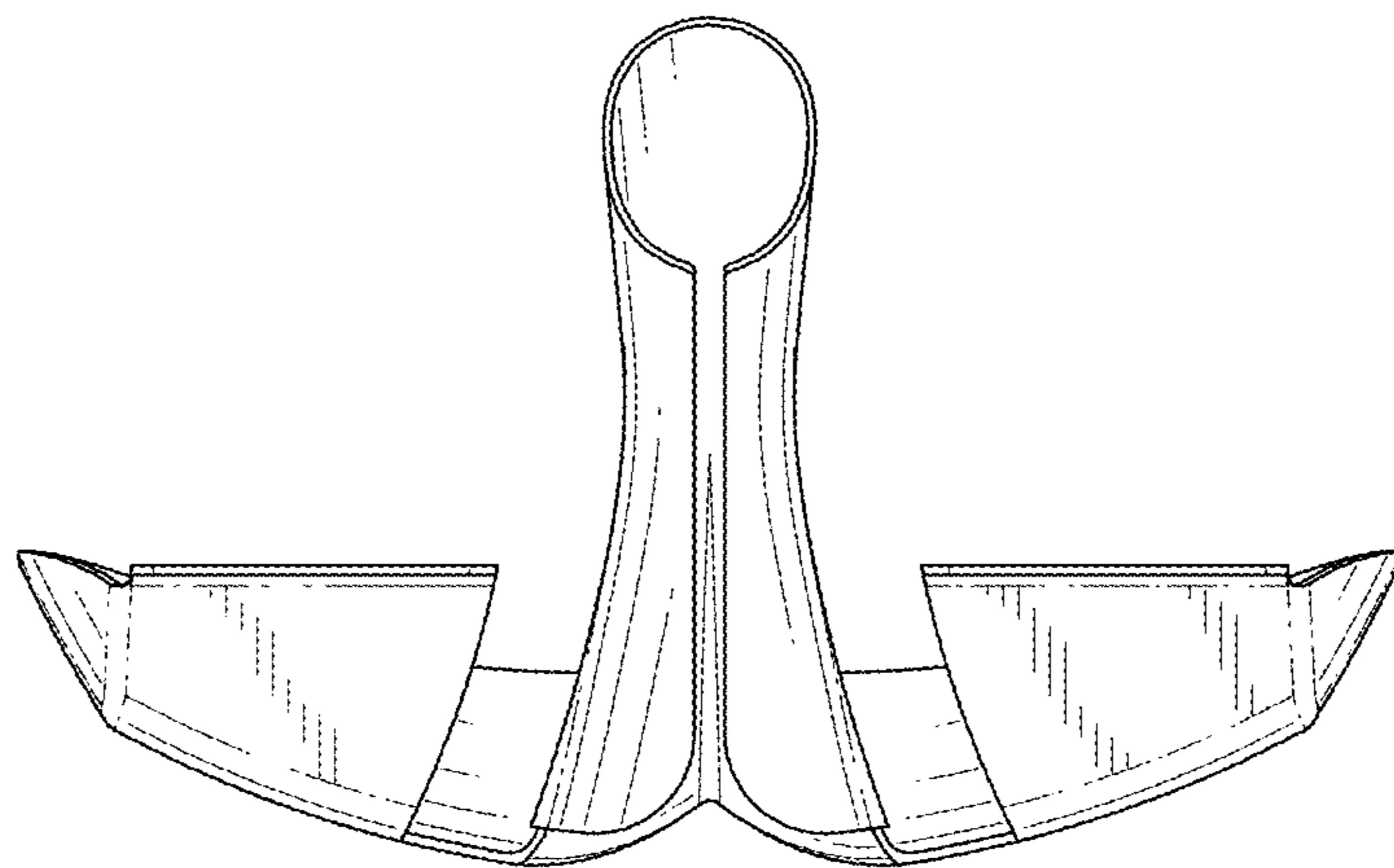


FIG. 3

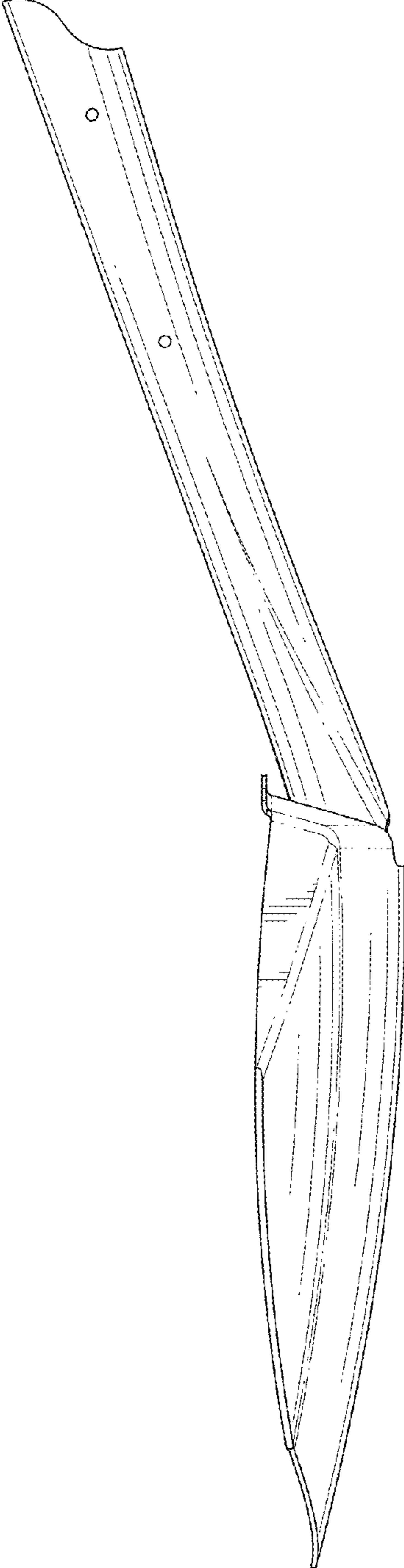


FIG. 5

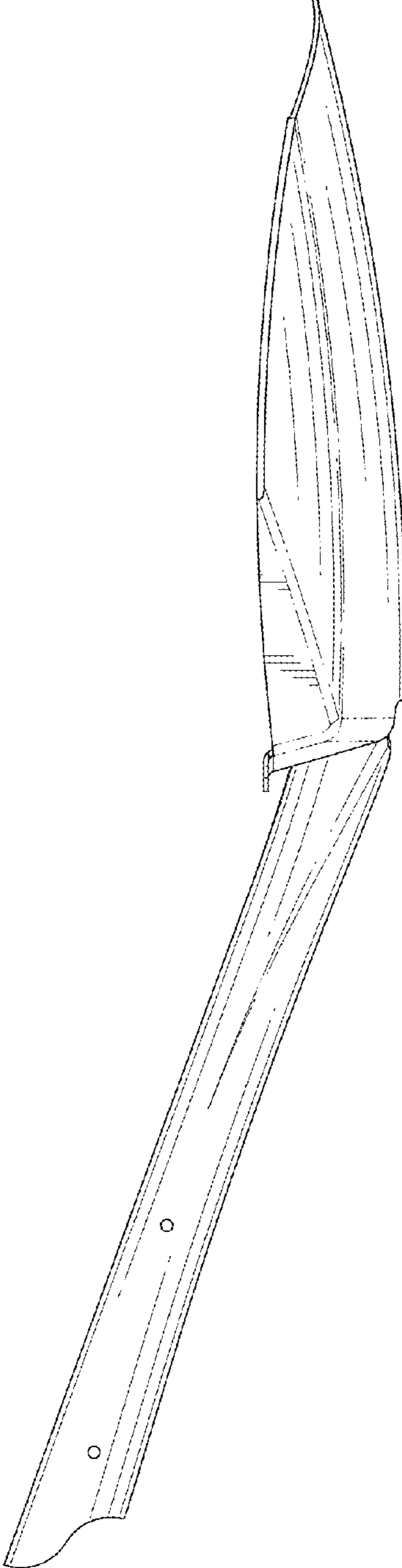


FIG. 4

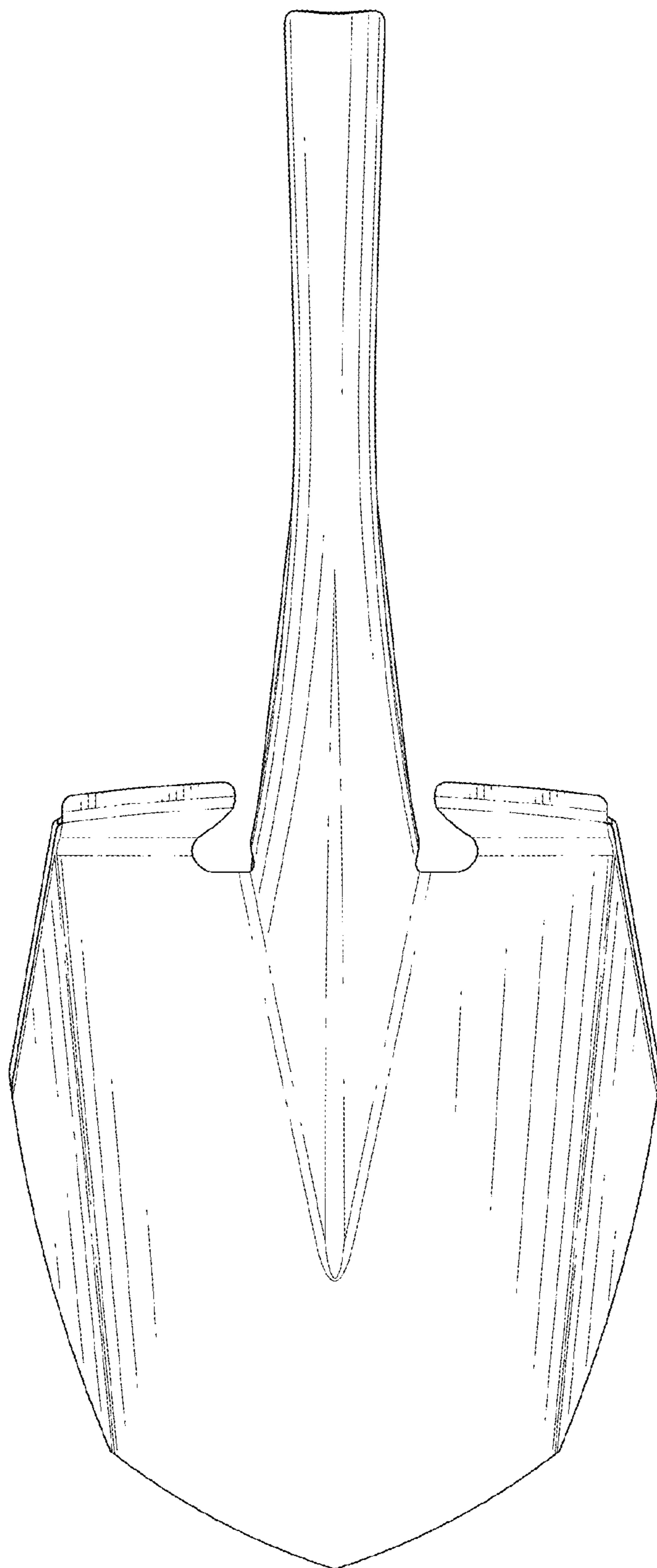


FIG. 6

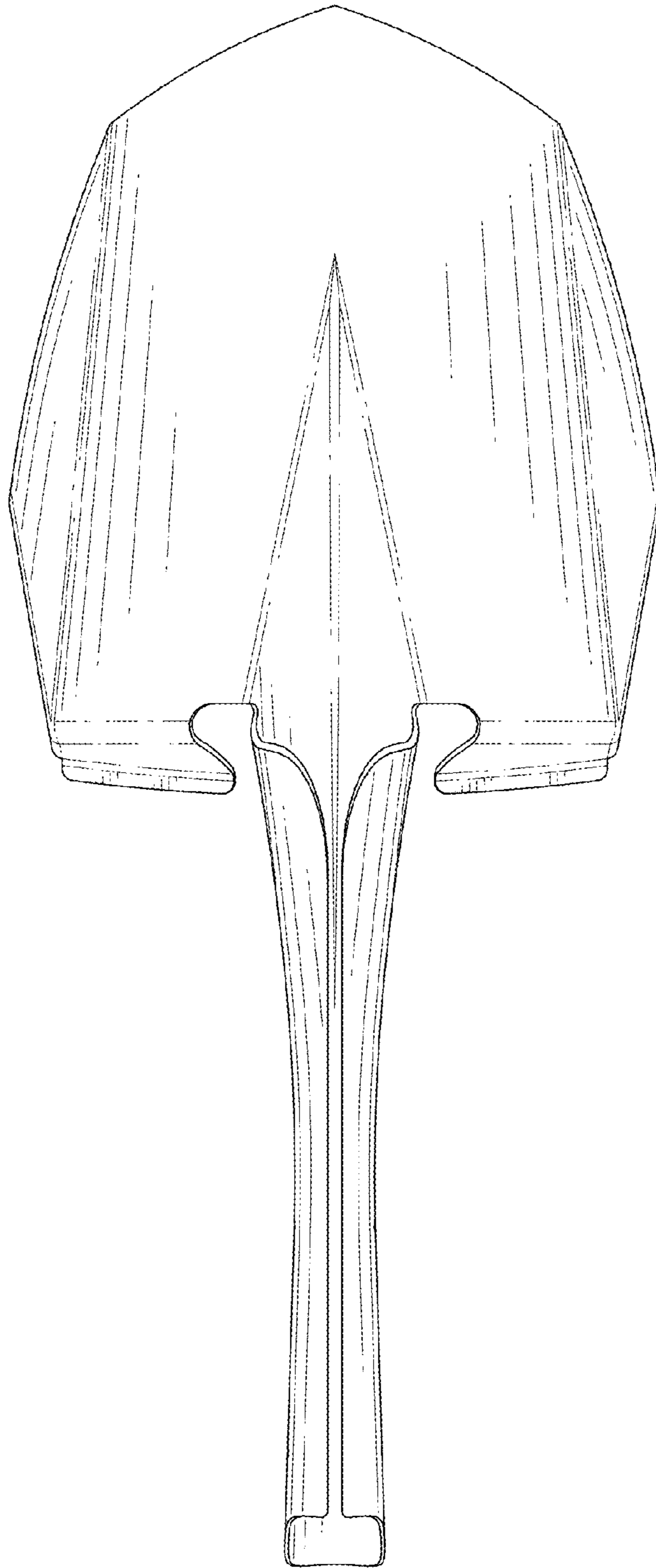


FIG. 7