



US00D699084S

(12) **United States Design Patent**  
**Miller et al.**

(10) **Patent No.:** **US D699,084 S**

(45) **Date of Patent:** **\*\* Feb. 11, 2014**

(54) **CONE HOLDER**

(75) Inventors: **Amanda Miller**, Minneapolis, MN (US);  
**Richard P. Riedel**, Blaine, MN (US);  
**Stacy Abel**, Maple Grove, MN (US)

(73) Assignee: **Target Brands, Inc.**, Minneapolis, MN (US)

(\*\*) Term: **14 Years**

(21) Appl. No.: **29/415,262**

(22) Filed: **Mar. 8, 2012**

(51) **LOC (10) Cl.** ..... **07-07**

(52) **U.S. Cl.**  
USPC ..... **D7/701**

(58) **Field of Classification Search**  
USPC ..... D7/701-708, 620; D1/116, 105, 103;  
206/563; 294/160, 159, 172  
See application file for complete search history.

(56) **References Cited**

U.S. PATENT DOCUMENTS

1,778,425	A *	10/1930	Maddocks et al.	294/160
D129,741	S	9/1941	Clark et al.	
2,314,935	A *	3/1943	Gutterman	206/563
2,344,937	A	3/1944	Brazier	
2,513,762	A *	7/1950	Tyson, Jr.	294/159
2,702,011	A	2/1955	Larkin	
2,941,663	A	6/1960	Ettlenger, Jr.	
D188,992	S	10/1960	Morrison	
D191,059	S	8/1961	Rennels	
3,025,948	A	3/1962	Appelt	
3,039,881	A	6/1962	Shapiro	
3,142,425	A *	7/1964	Cobb	294/159
3,164,110	A	1/1965	Bofinger	
D229,486	S	12/1973	Roper	
D255,574	S	6/1980	Carver	
D261,466	S	10/1981	Harper	
D272,128	S	1/1984	Parmentier	
D272,232	S	1/1984	Parmentier	
D272,233	S	1/1984	Parmentier	

D272,317 S 1/1984 Parmentier  
D273,363 S 4/1984 Hagedorn et al.  
4,718,441 A \* 1/1988 Daum et al. .... 134/201

(Continued)

**OTHER PUBLICATIONS**

Office Action from Canadian Patent Application No. 147,047, mailed Feb. 15, 2013 (3 pages).

(Continued)

*Primary Examiner* — Terry Wallace

(74) *Attorney, Agent, or Firm* — Griffiths & Seaton PLLC;  
JoAnn M. Seaton

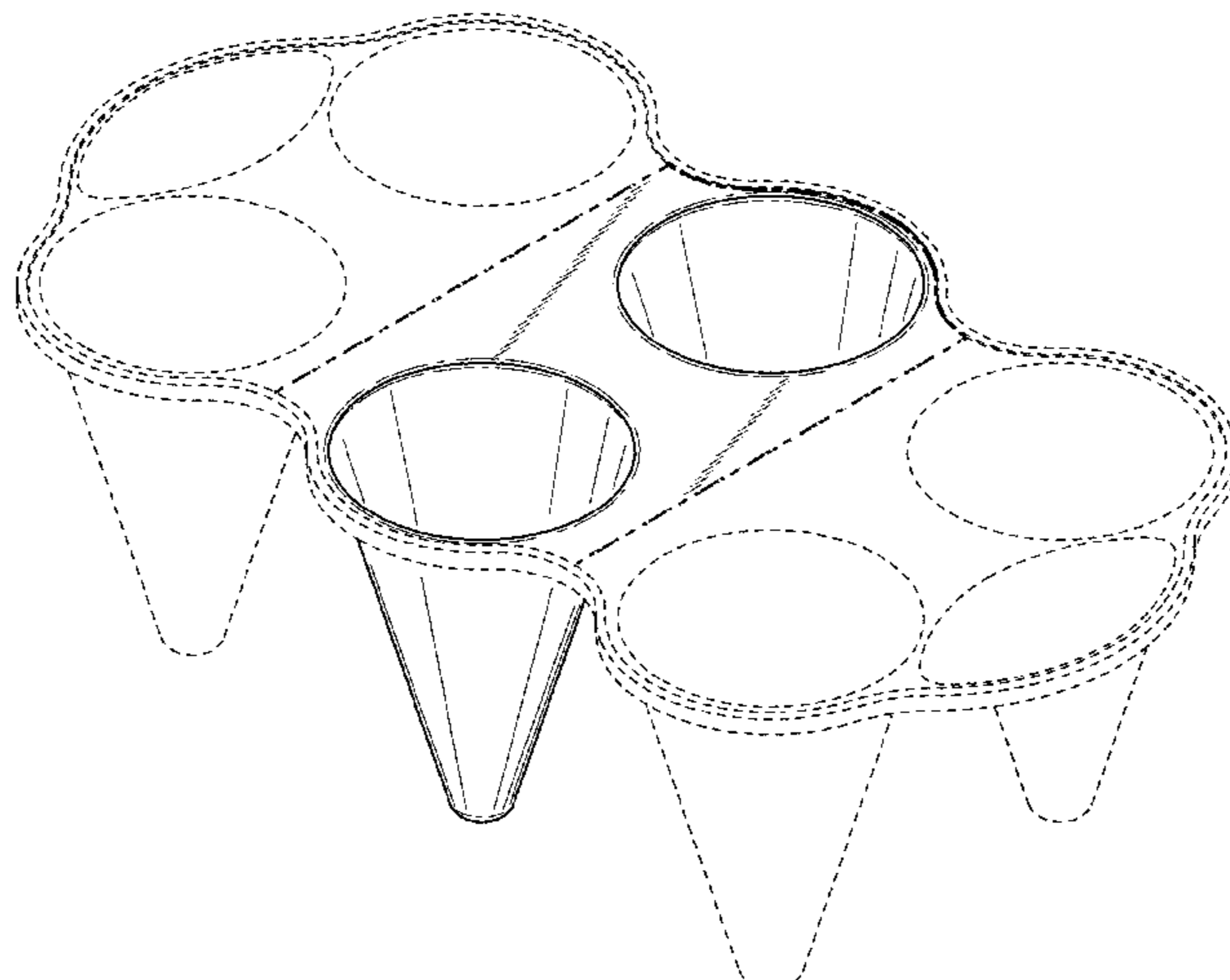
(57) **CLAIM**

The ornamental design for a cone holder, as shown and described.

**DESCRIPTION**

FIG. 1 is a front, perspective view of a cone holder showing a first embodiment of our new design;  
FIG. 2 is a front view thereof, the rear view being a mirror image of the front view;  
FIG. 3 is a right side view thereof;  
FIG. 4 is a left side view thereof;  
FIG. 5 is a top view thereof; and  
FIG. 6 is a bottom view thereof.  
FIG. 7 is a front, perspective view of a cone holder showing a second embodiment of our new design;  
FIG. 8 is a front view thereof, the rear view being identical to the front view;  
FIG. 9 is a right side view thereof; the left side view being identical to the right side view; and,  
FIG. 10 is a top view thereof.  
The features shown in broken lines depict environmental subject matter only and form no part of the claimed design. Bolded, long dash-short dash lines indicate the boundaries of the claimed subject matter and otherwise form no part of the claimed design.

**1 Claim, 10 Drawing Sheets**



(56)

**References Cited**

U.S. PATENT DOCUMENTS

D317,222 S 6/1991 Dodge  
D317,998 S \* 7/1991 Sanford ..... D7/701  
D320,722 S \* 10/1991 Sanford ..... D7/701  
D323,424 S 1/1992 Beiler et al.  
D326,589 S \* 6/1992 White et al. .... D7/620  
D340,343 S 10/1993 Rizikow  
D347,143 S 5/1994 Awyong  
5,996,802 A 12/1999 Parker et al.  
D420,743 S 2/2000 Monks  
D431,760 S 10/2000 Sullivan  
D450,171 S 11/2001 Wright

D469,653 S 2/2003 Cooper et al.  
D574,506 S 8/2008 Monks  
D605,303 S 12/2009 Monks  
D608,013 S 1/2010 Coulling et al.

OTHER PUBLICATIONS

“Shave Ice & Sno-Kone,” [www.gmpopcorn.com/products/product-description.cfm?pid=1655](http://www.gmpopcorn.com/products/product-description.cfm?pid=1655), available at least as early as Dec. 2, 2010 per [www.internetarchive.org](http://www.internetarchive.org) (1 page).  
“Snow-Cone Supplies,” [www.concessionequipment.net/contents/en-us/d8.html](http://www.concessionequipment.net/contents/en-us/d8.html), available at least as early as Apr. 20, 2011 per [www.internetarchive.org](http://www.internetarchive.org) (13 pages).

\* cited by examiner

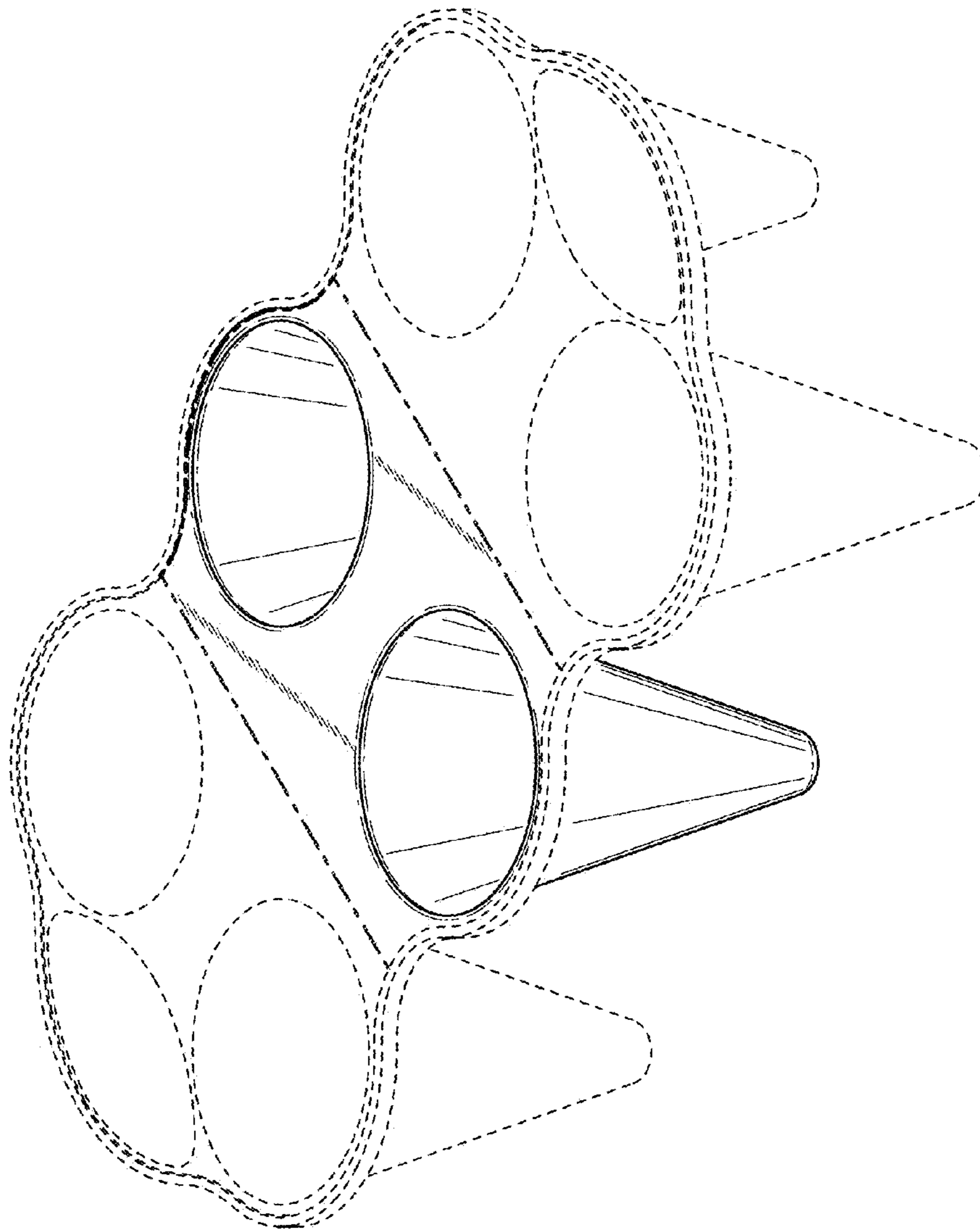


FIG. 1

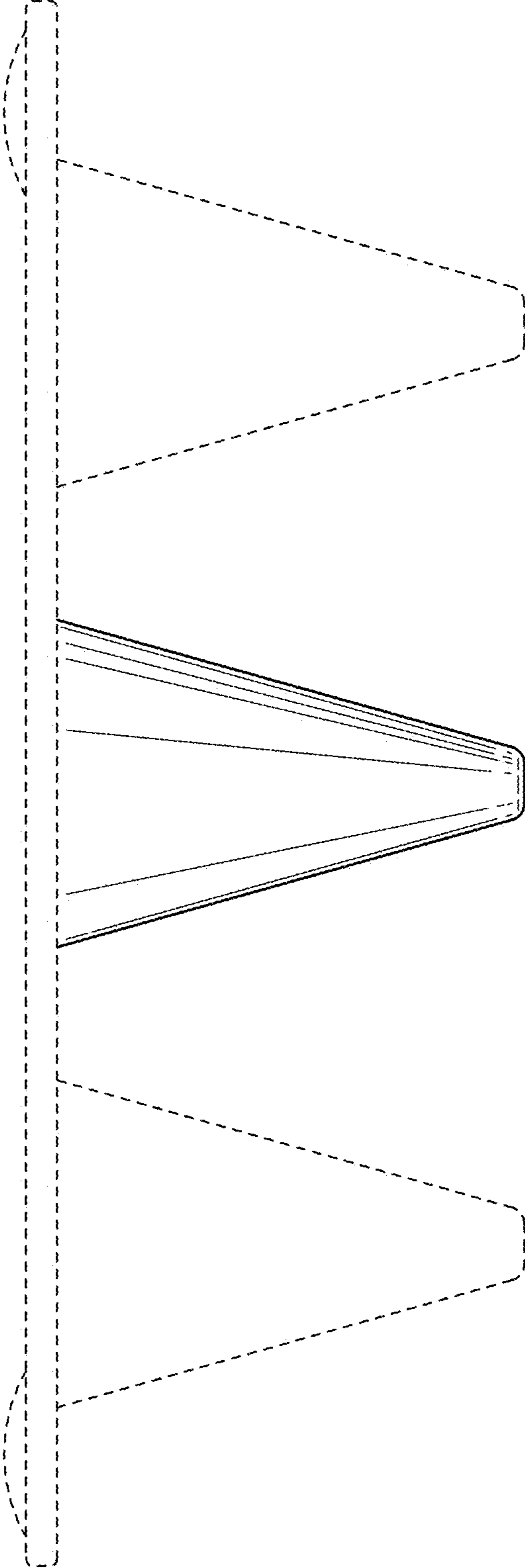


FIG. 2

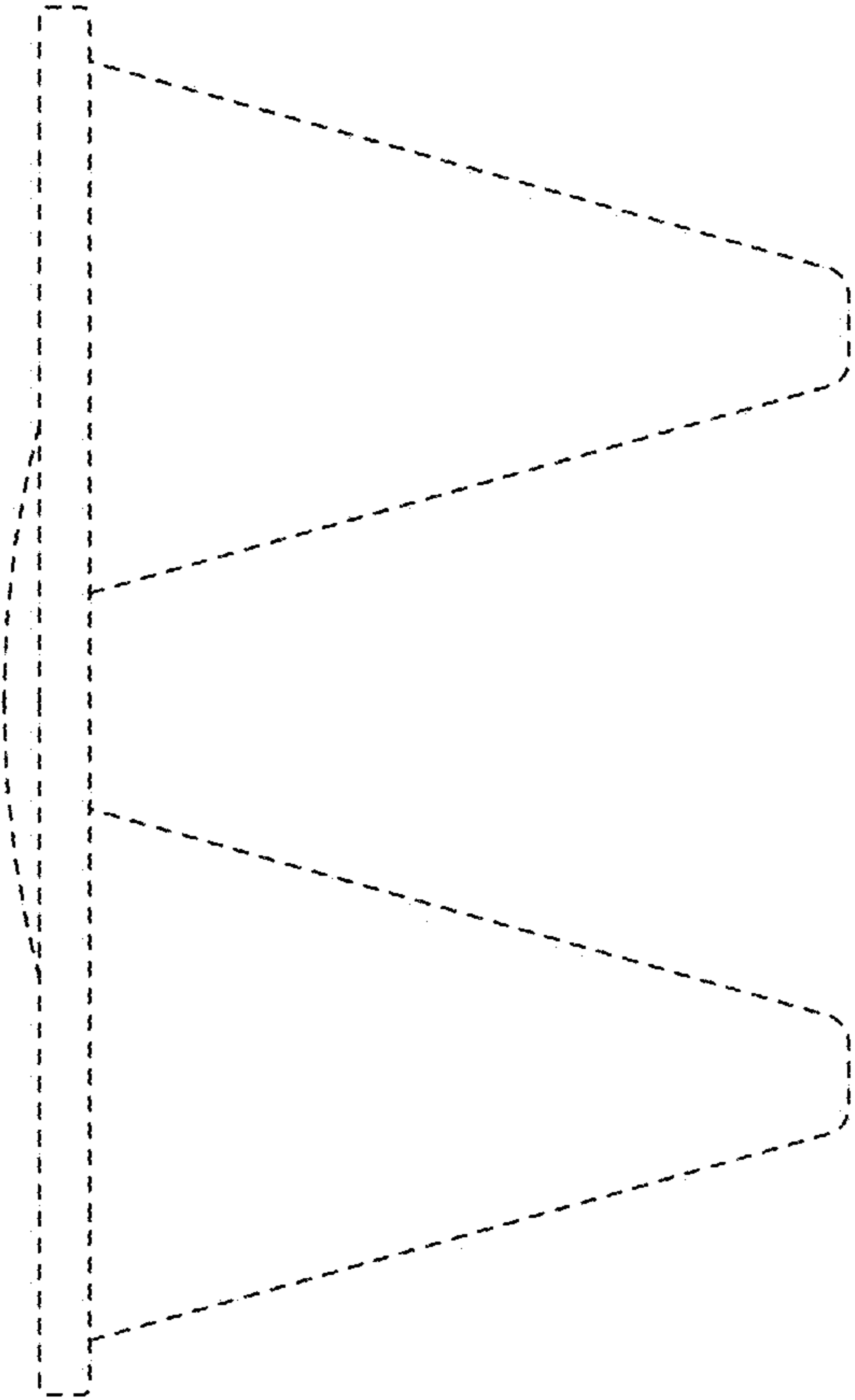


FIG. 3

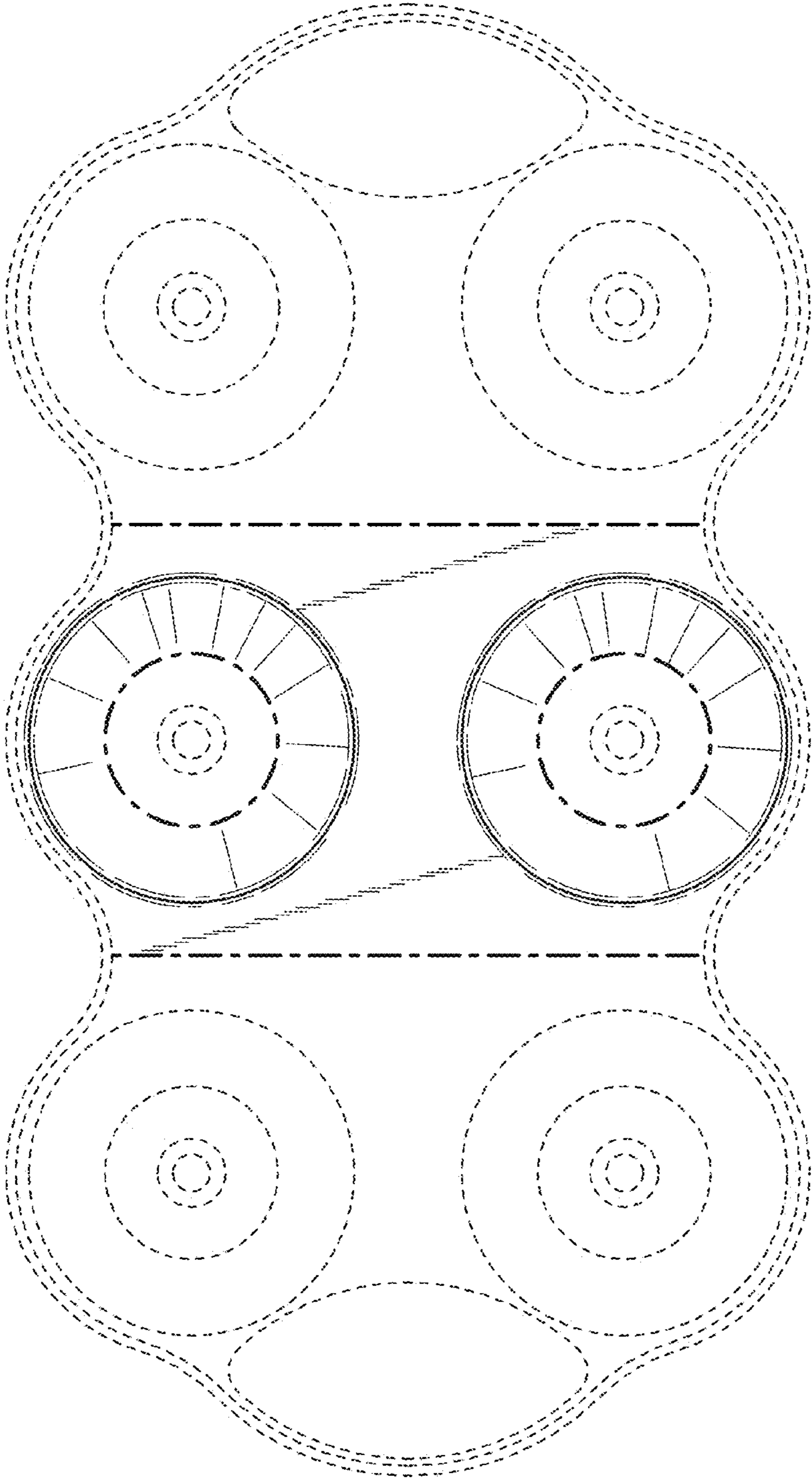


FIG. 4



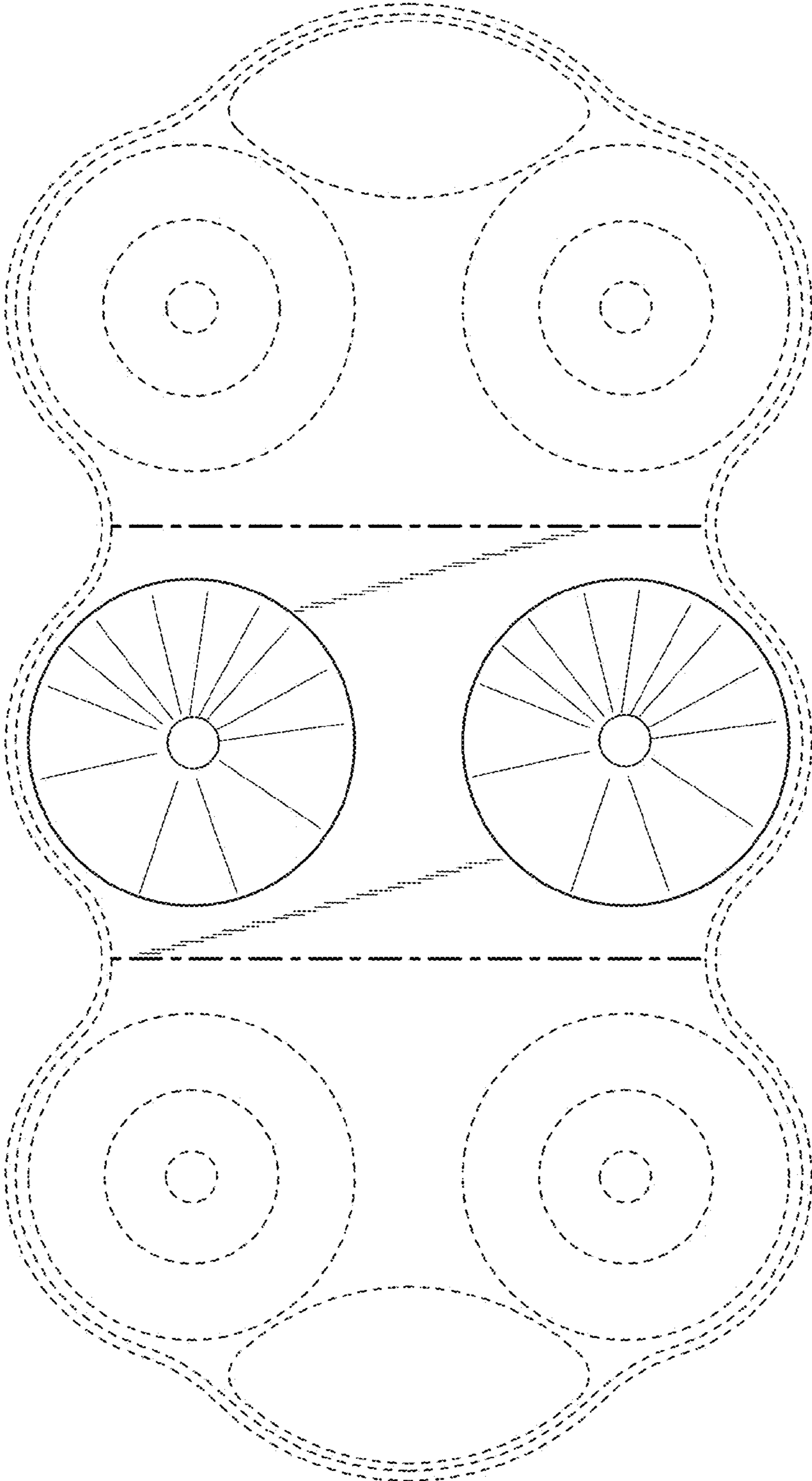


FIG. 5

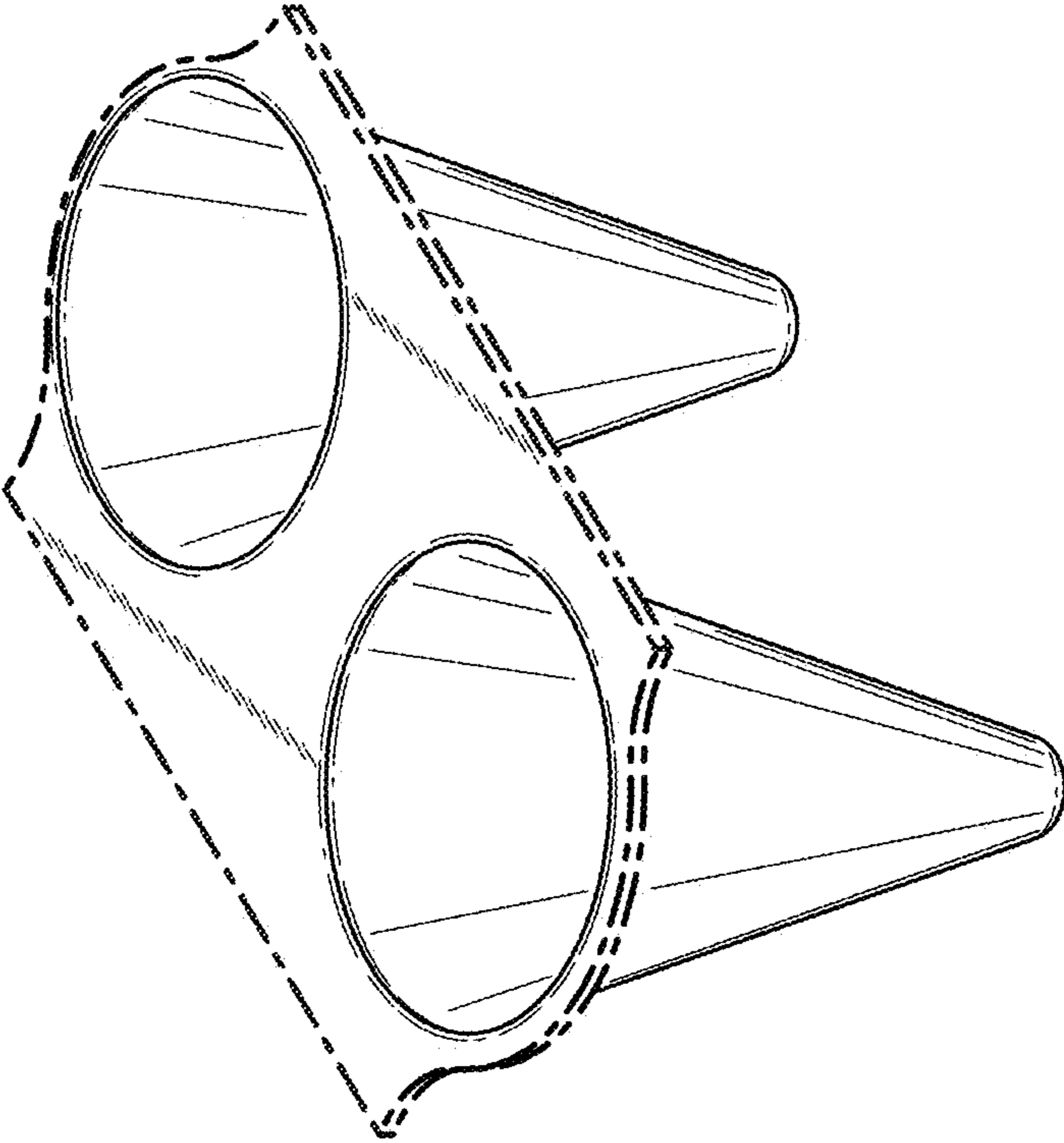


FIG. 6



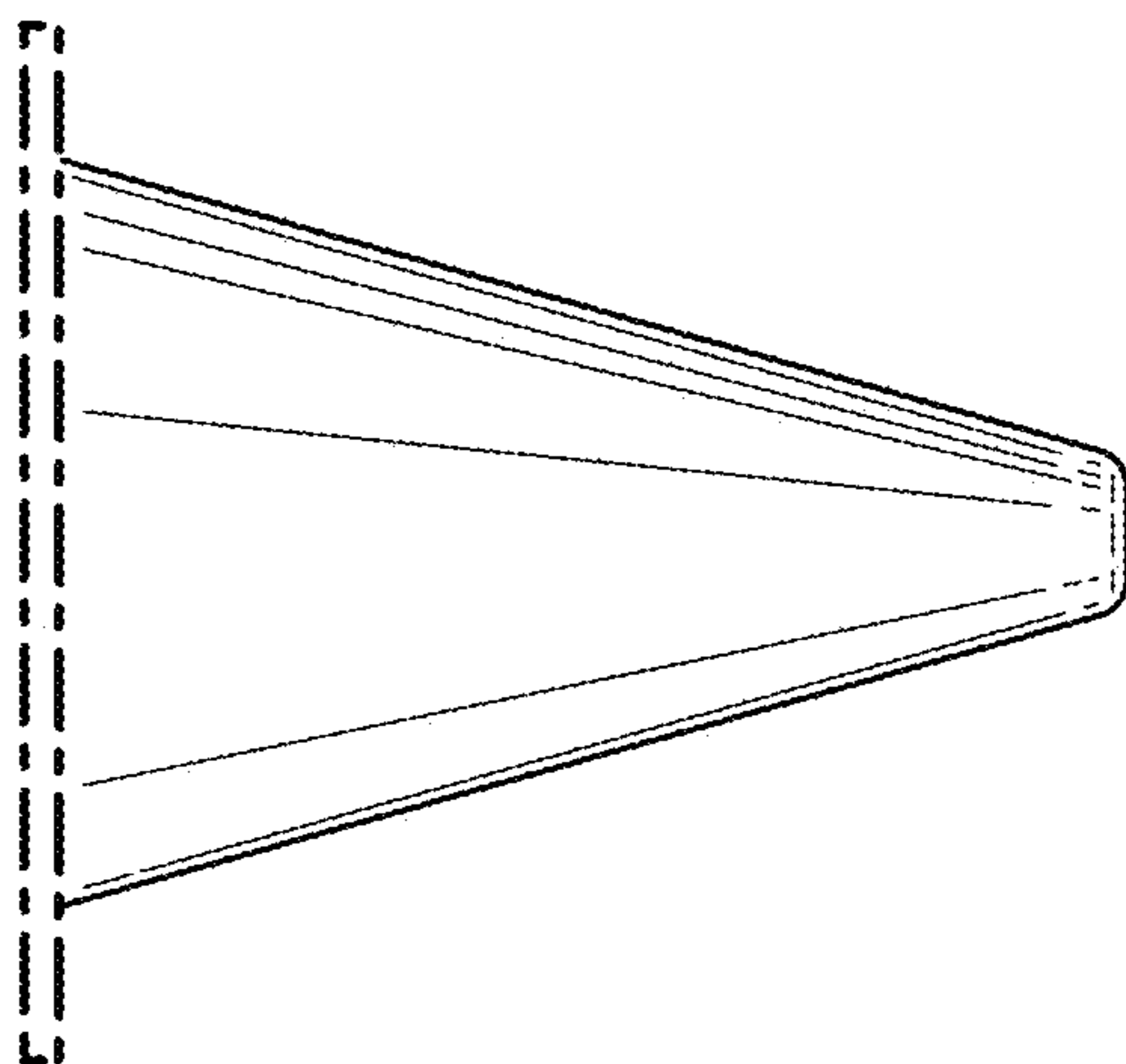


FIG. 7

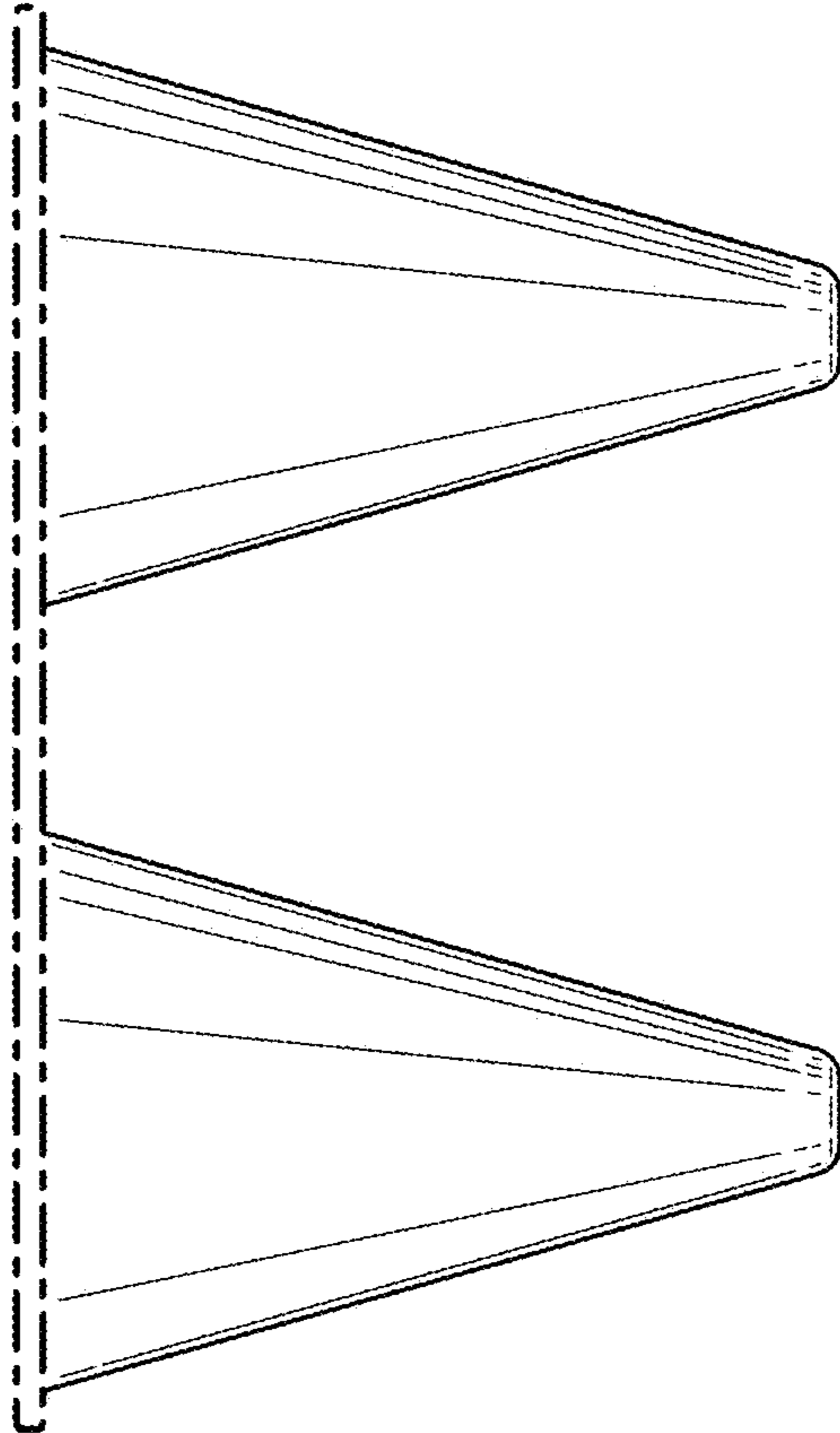


FIG. 8

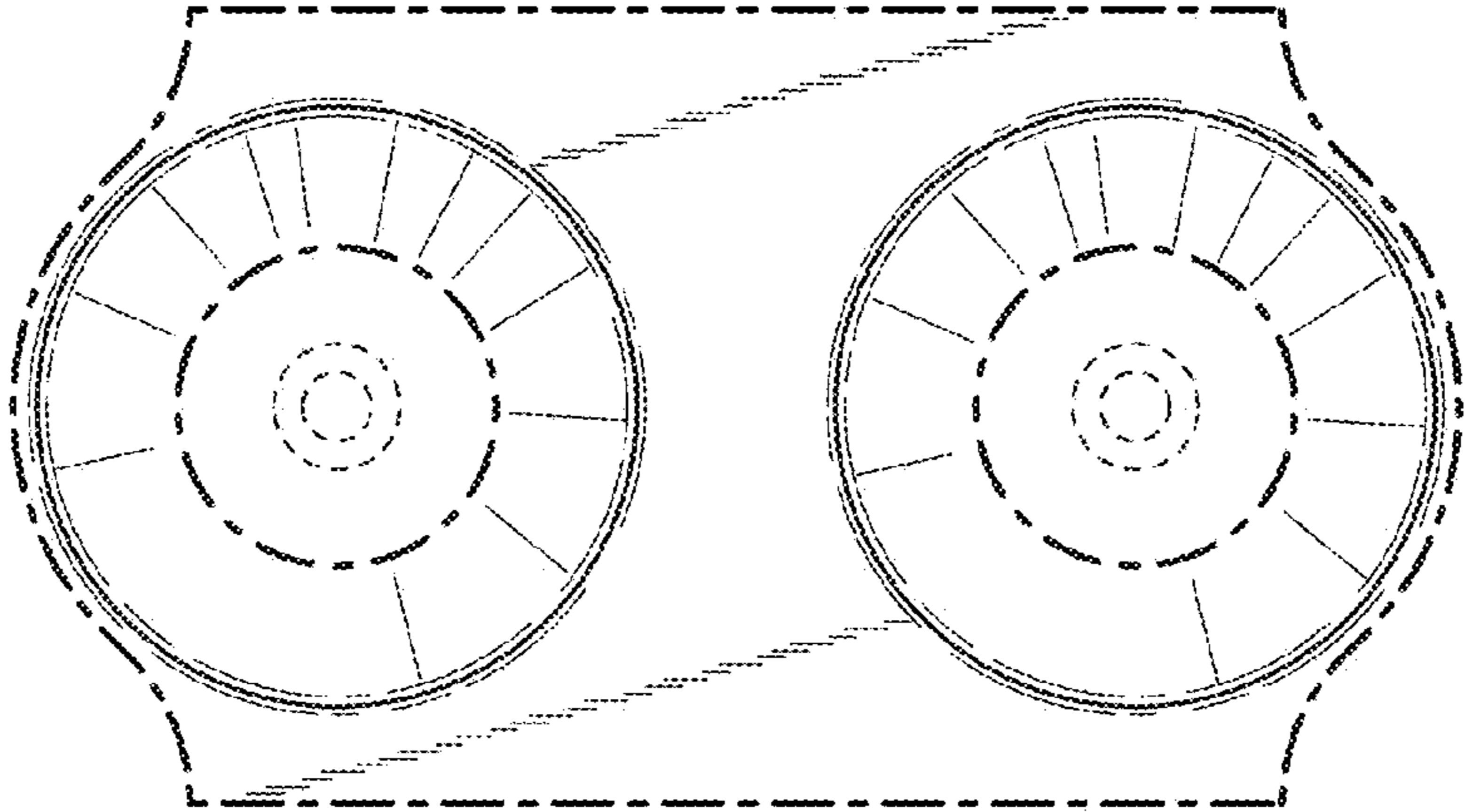


FIG. 9

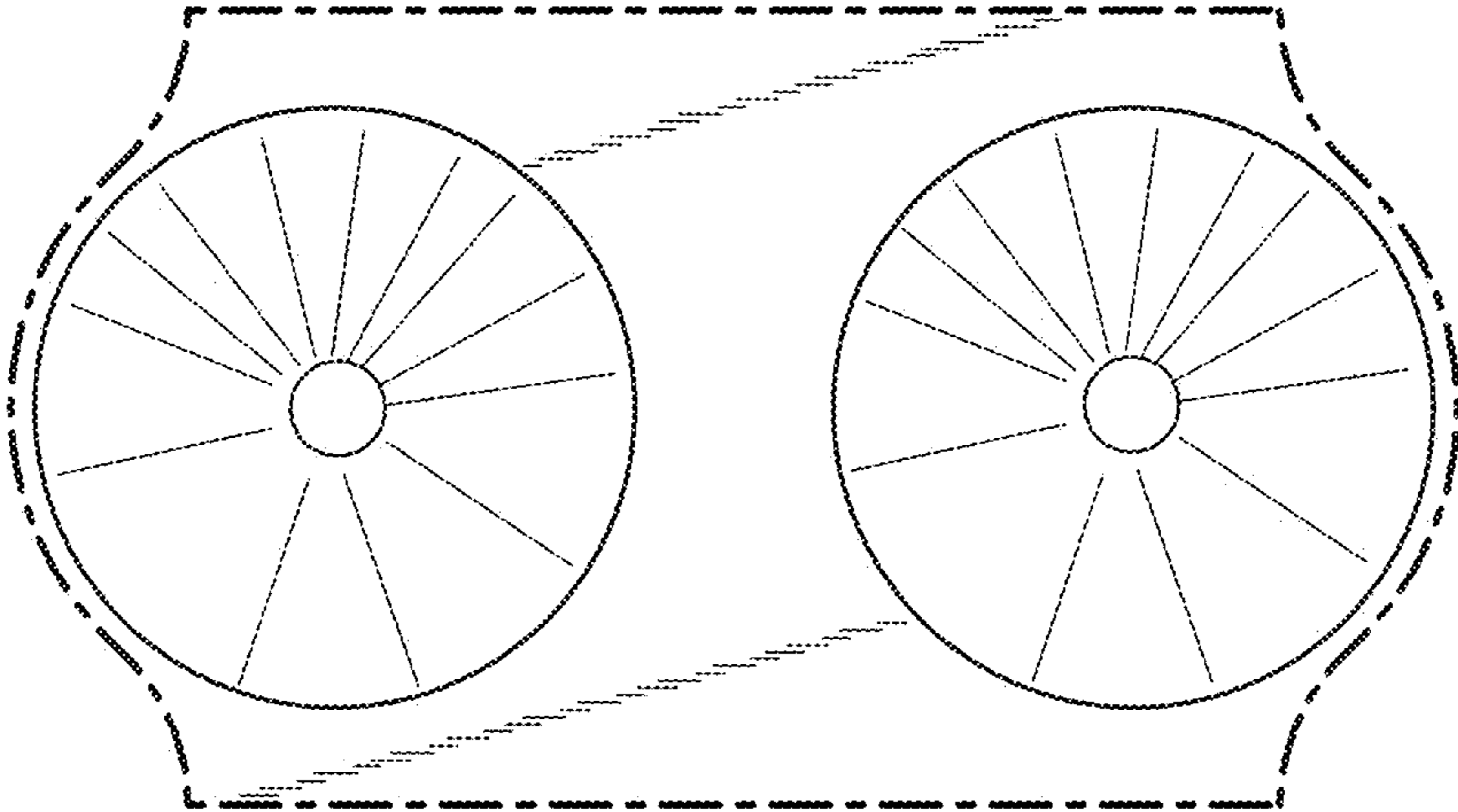


FIG. 10