

US00D699083S

(12) **United States Design Patent**  
**Hasegawa**

(10) **Patent No.:** **US D699,083 S**

(45) **Date of Patent:** **\*\* Feb. 11, 2014**

(54) **CUTTING BOARD PLANE**

(75) Inventor: **Teiichi Hasegawa**, Chiba (JP)

(73) Assignee: **Hasegawa Corporation**, Chiba (JP)

(\*\*) Term: **14 Years**

(21) Appl. No.: **29/413,484**

(22) Filed: **Feb. 16, 2012**

(51) **LOC (10) Cl.** ..... **07-04**

(52) **U.S. Cl.**  
USPC ..... **D7/698**

(58) **Field of Classification Search**

USPC ..... D7/354, 357-360, 368, 388, 392.1,  
D7/396.1, 409, 412, 505, 549, 550.1,  
D7/552.1-552.2, 553.1, 553.5, 553.8,  
D7/554.3-554.4, 555, 586, 637, 673,  
D7/698-699; D19/37; D30/161;  
D32/55-57; 99/324, 357, 446-450;  
33/563; 119/165; 269/13-16, 87.2,  
269/289 R, 302.1, 575; 312/319.7; 472/85

See application file for complete search history.

(56) **References Cited**

**U.S. PATENT DOCUMENTS**

D289,095	S *	3/1987	Chiodo et al.	.....	D30/161
5,031,975	A *	7/1991	Anderson	.....	312/319.7
5,860,641	A *	1/1999	Heath	.....	269/289 R
5,916,031	A *	6/1999	Casillan	.....	472/85
D435,149	S *	12/2000	Kleinberg	.....	D30/161
6,910,685	B2 *	6/2005	Sellers	.....	269/289 R
7,325,325	B2 *	2/2008	Gleeson	.....	33/563
D571,608	S *	6/2008	Yeung	.....	D7/388
D581,120	S *	11/2008	Sofy et al.	.....	D32/57
7,621,233	B2 *	11/2009	Dukes et al.	.....	119/165
D609,538	S *	2/2010	Sullivan	.....	D7/698
D675,259	S *	1/2013	Chang	.....	D19/37
D682,634	S *	5/2013	Datavs	.....	D7/698

**FOREIGN PATENT DOCUMENTS**

JP	1-138570	U	9/1989
JP	2-4751	U	1/1990

**OTHER PUBLICATIONS**

Office Action issued in Japanese Design App. No. 2011-024087 (Mar. 6, 2012) with special attention to the figure on p. 3 of the Office Action.

Office Action issued in Japanese Design App. No. 2011-024076 (Mar. 6, 2012) with special attention to the figure on p. 3 of the Office Action.

\* cited by examiner

*Primary Examiner* — Ricky Pham

(74) *Attorney, Agent, or Firm* — Cermak Nakajima LLP; Tomoko Nakajima

(57) **CLAIM**

The ornamental design for a cutting board plane, as shown and described.

**DESCRIPTION**

FIG. 1 is a front elevational view of a first embodiment of a cutting board plane showing my new design, a rear elevational view thereof being a mirror image;

FIG. 2 is a top plan view thereof;

FIG. 3 is a bottom plan view thereof;

FIG. 4 is a right side elevational view thereof, a left side elevational view thereof being a mirror image;

FIG. 5 is a front top perspective view thereof;

FIG. 6 is a front bottom perspective view thereof;

FIG. 7 is a front bottom perspective view thereof in a using position.

FIG. 8 is a front elevational view of a second embodiment of a cutting board plane showing my new design, a rear elevational view thereof being a mirror image;

FIG. 9 is a top plan view thereof;

FIG. 10 is a bottom plan view thereof;

FIG. 11 is a right side elevational view thereof, a left side elevational view thereof being a mirror image;

FIG. 12 is a front top perspective view thereof;

FIG. 13 is a front bottom perspective view thereof;

FIG. 14 is a front bottom perspective view thereof in a using position.

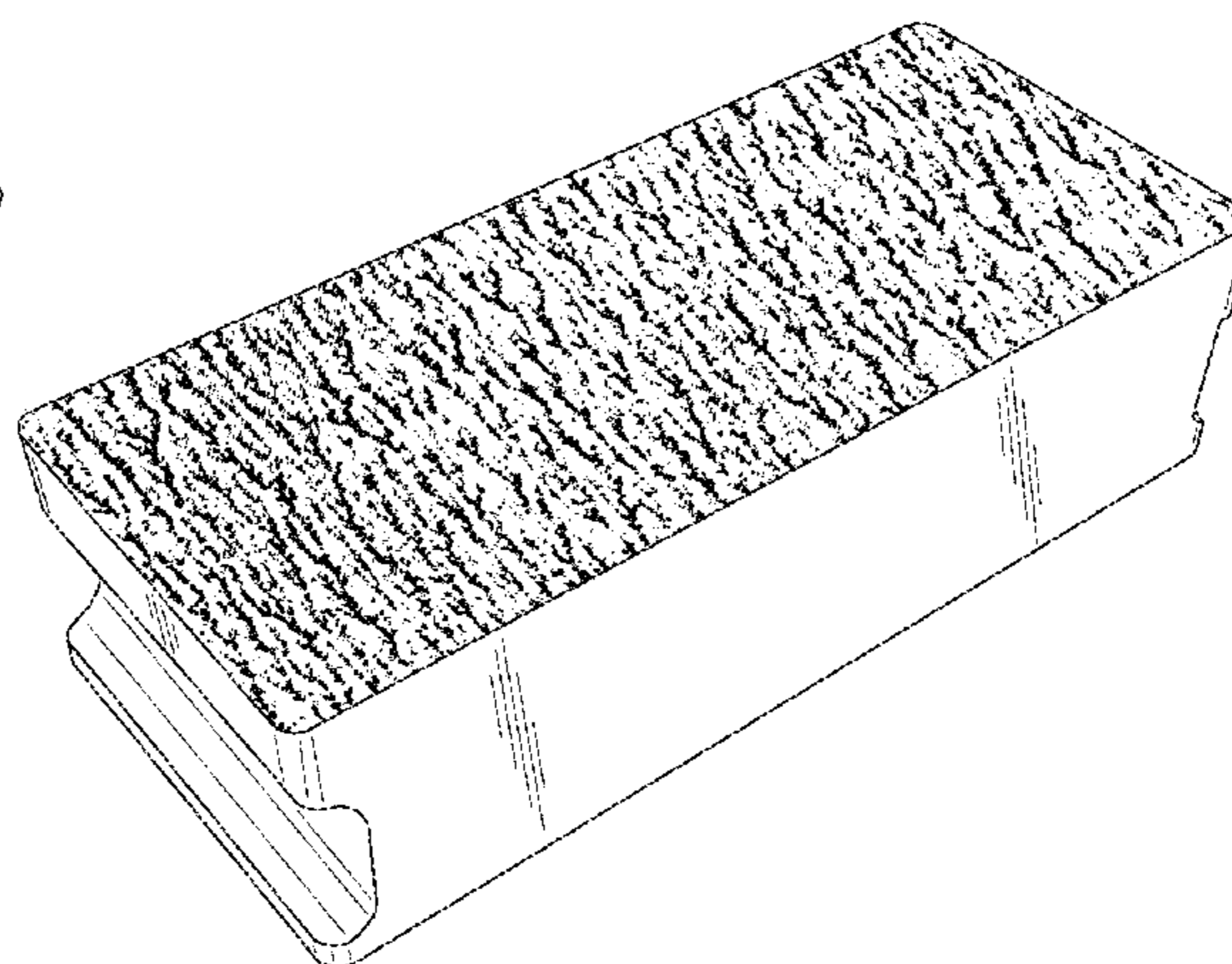
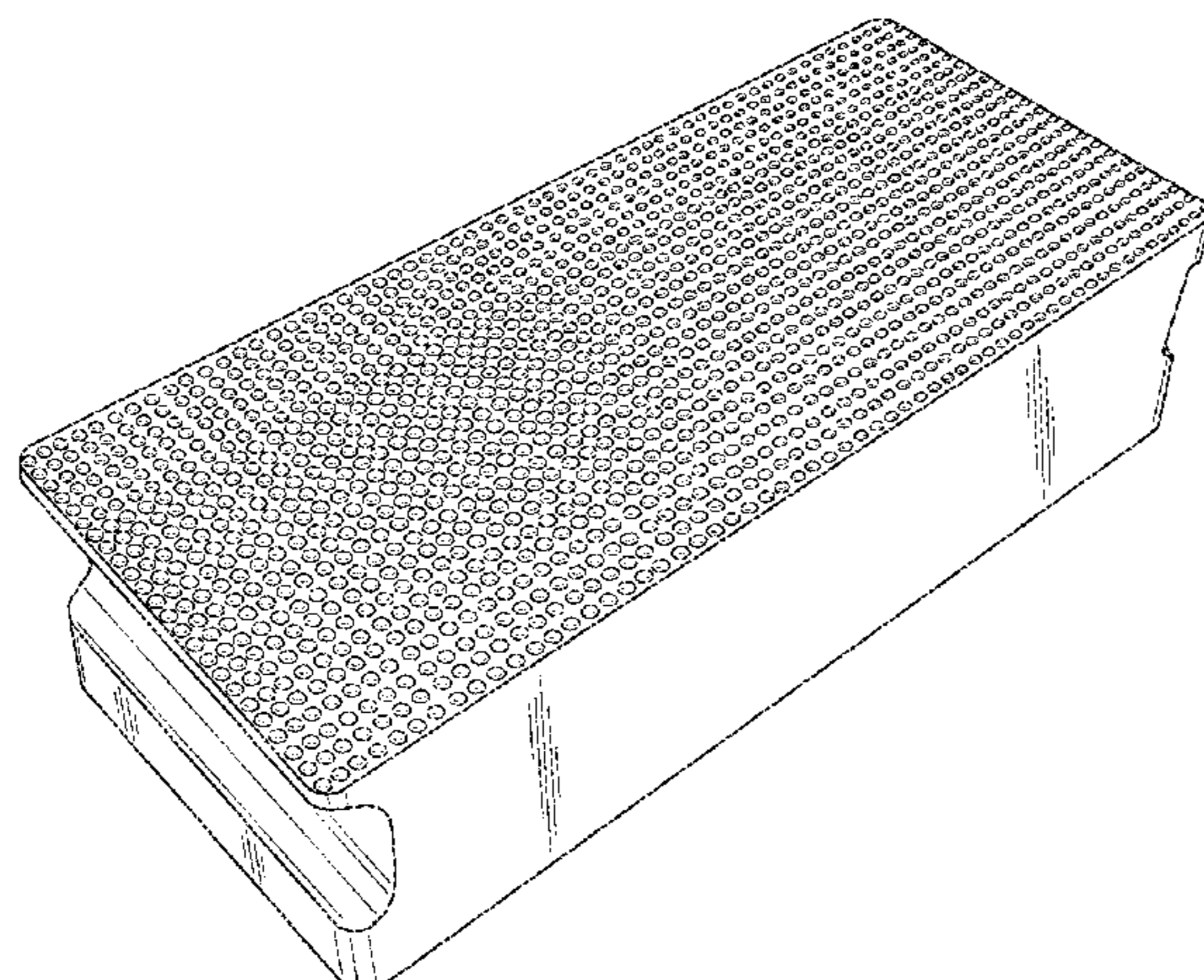


FIG. 15 is a front elevational view of a third embodiment of a cutting board plane showing my new design, a rear elevational view thereof being a mirror image;

FIG. 16 is a top plan view thereof;

FIG. 17 is a bottom plan view thereof;

FIG. 18 is a right side elevational view thereof, a left side elevational view thereof being a mirror image;

FIG. 19 is a front top perspective view thereof;

FIG. 20 is a front bottom perspective view thereof;

FIG. 21 is a front bottom perspective view thereof in a using position.

FIG. 22 is a front elevational view of a fourth embodiment of a cutting board plane showing my new design, a rear elevational view thereof being a mirror image;

FIG. 23 is a top plan view thereof;

FIG. 24 is a bottom plan view thereof;

FIG. 25 is a right side elevational view thereof, a left side elevational view thereof being a mirror image;

FIG. 26 is a front top perspective view thereof;

FIG. 27 is a front bottom perspective view thereof; and,

FIG. 28 is a front bottom perspective view thereof in a using position.

The broken lines shown in drawings are for illustrative purposes only and form no part of the claimed design.

**1 Claim, 20 Drawing Sheets**

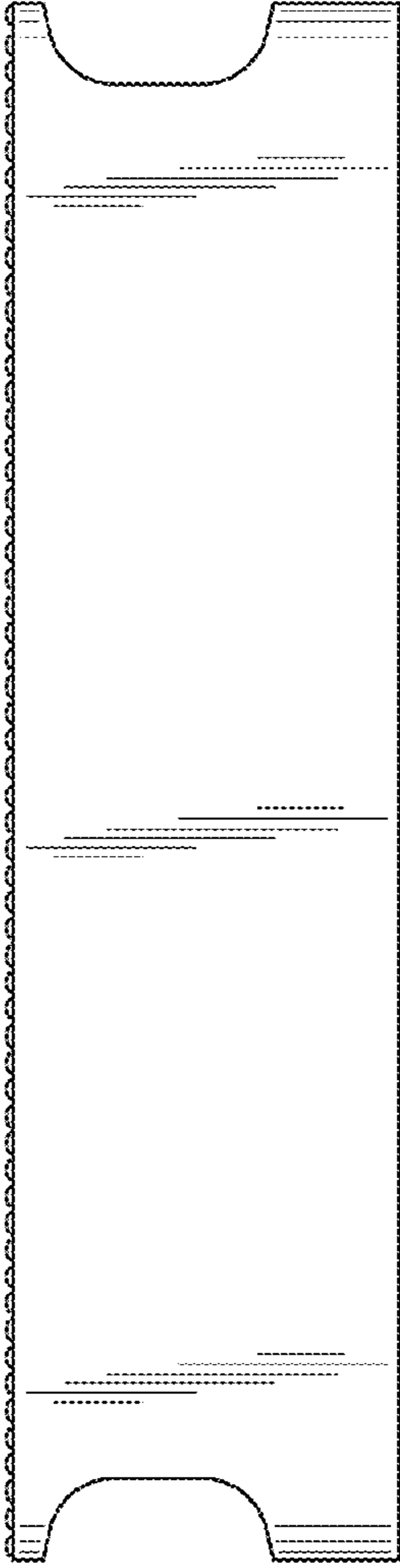


FIG. 1

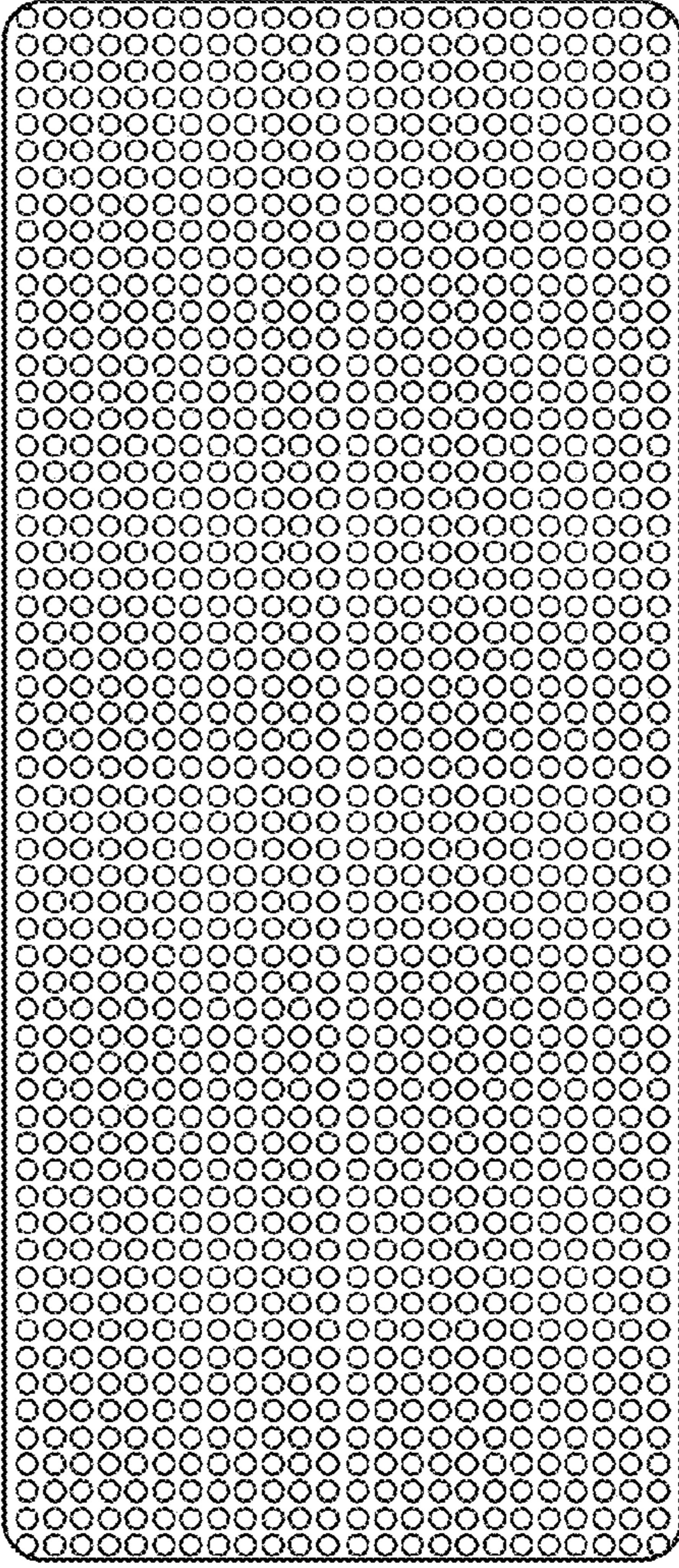


FIG. 2

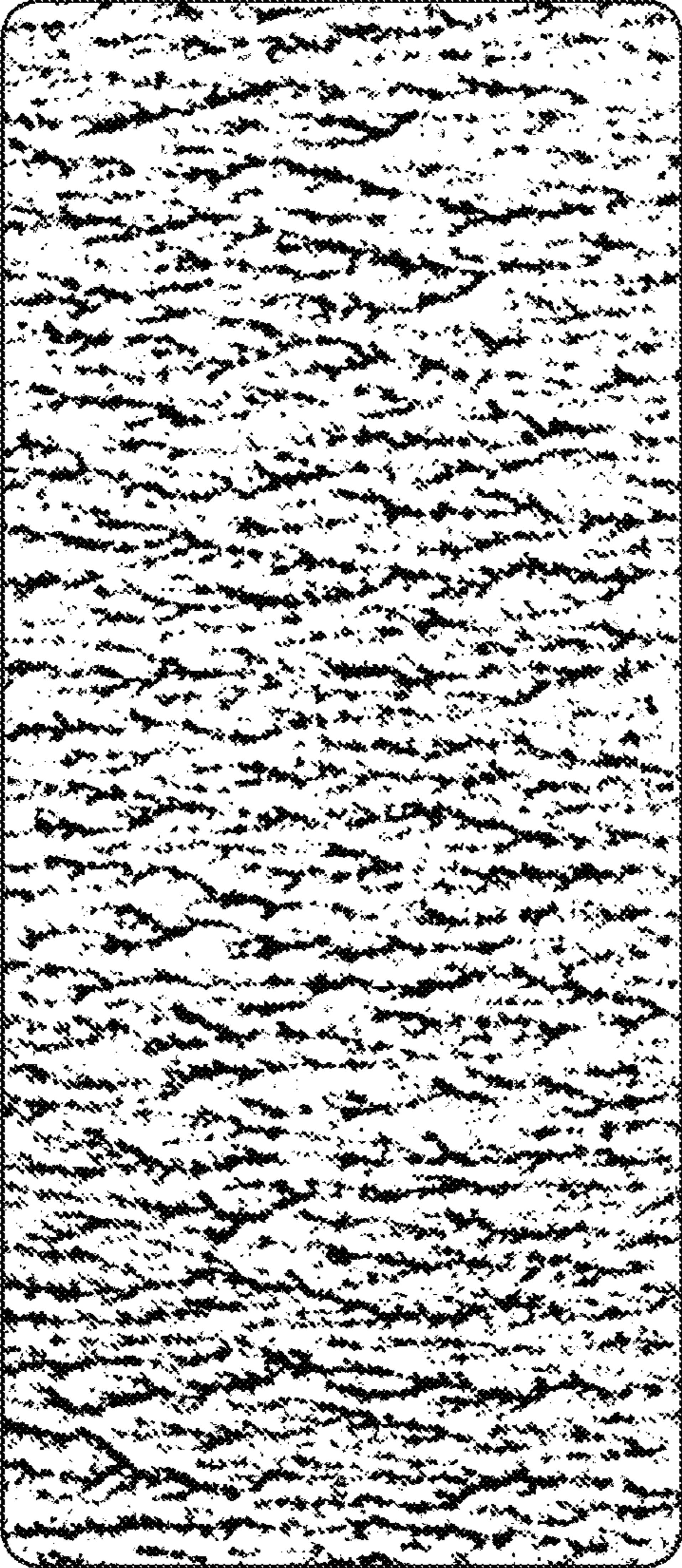


FIG. 3

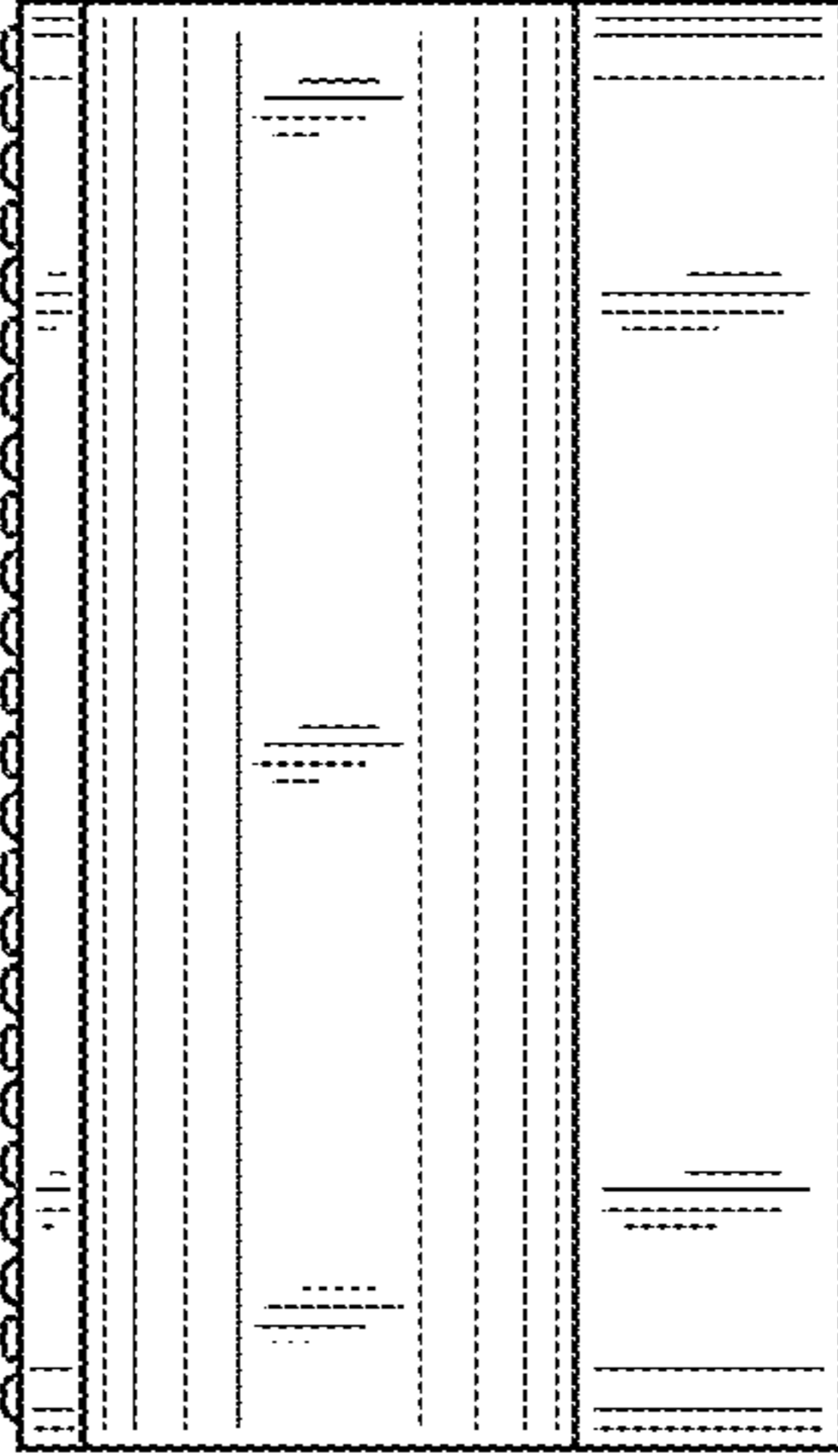


FIG. 4

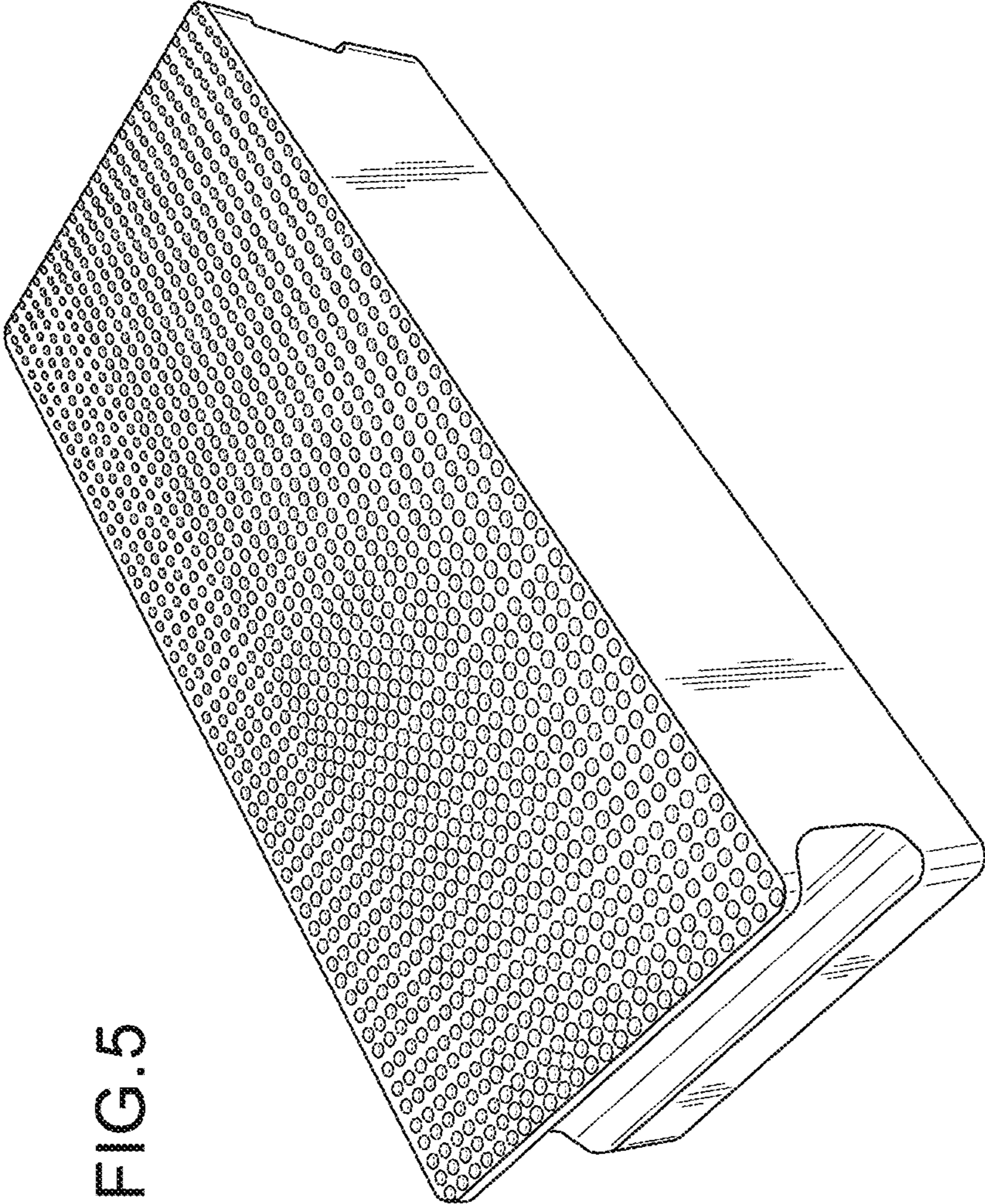


FIG. 5

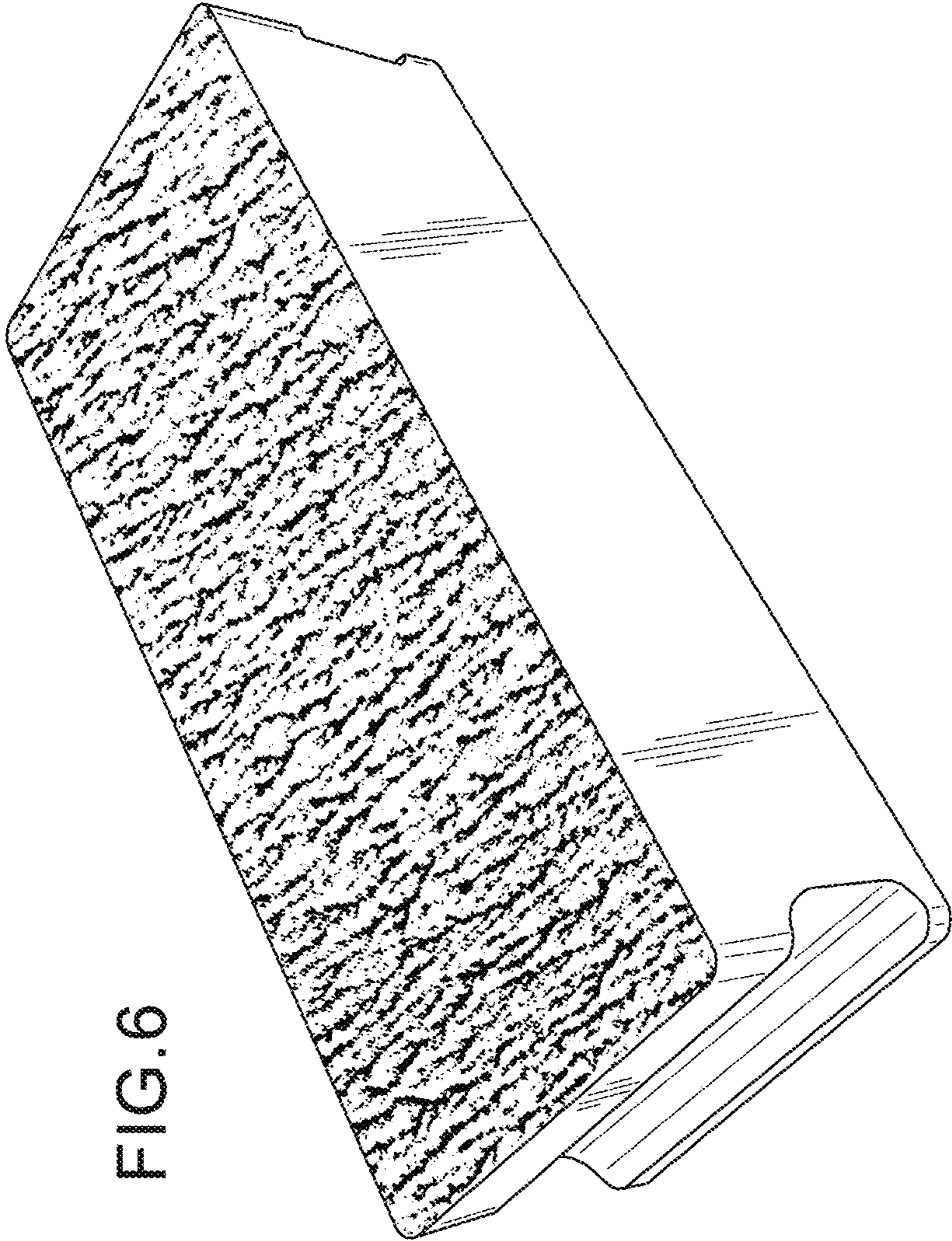


FIG.6

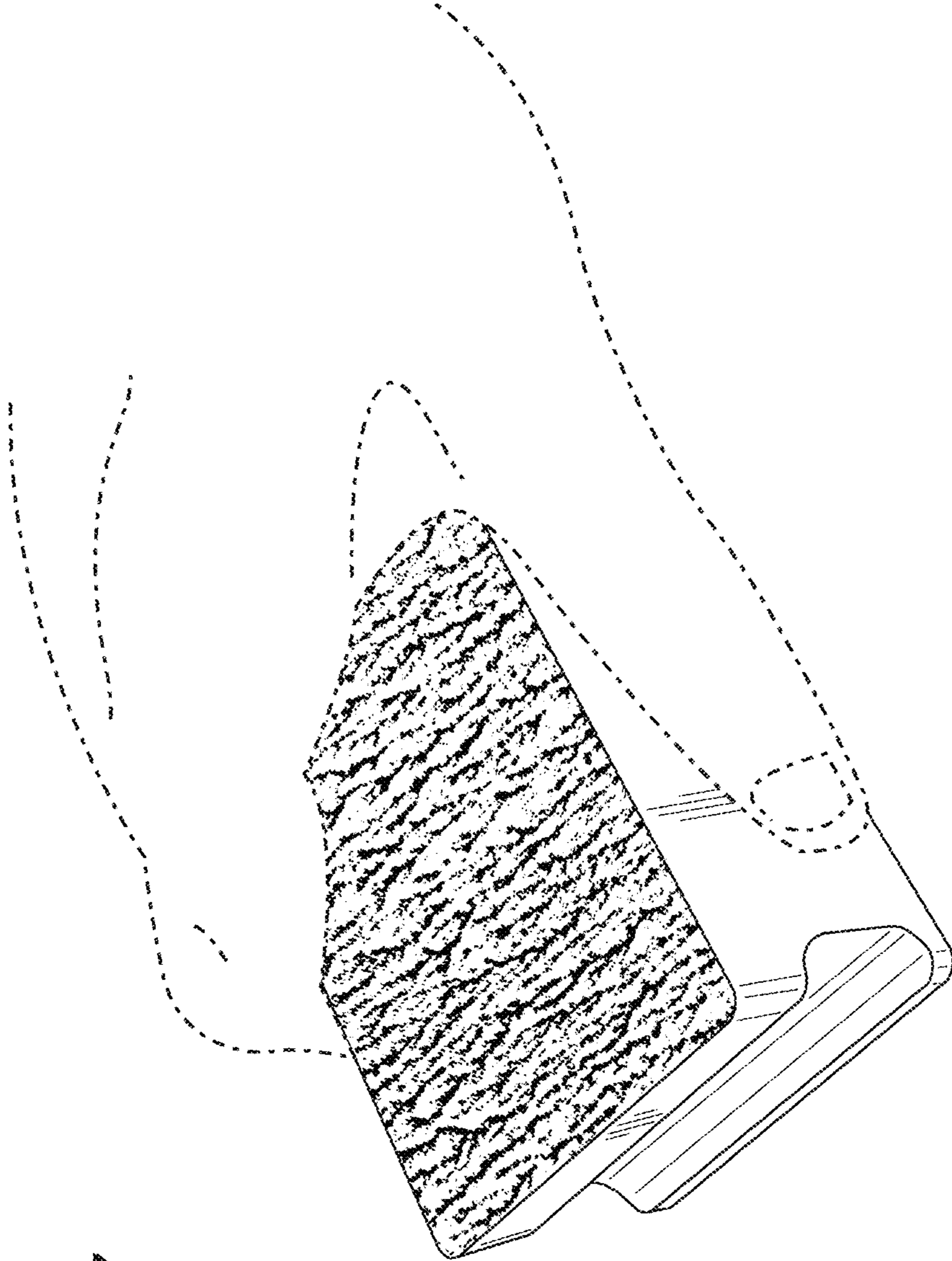


FIG.7

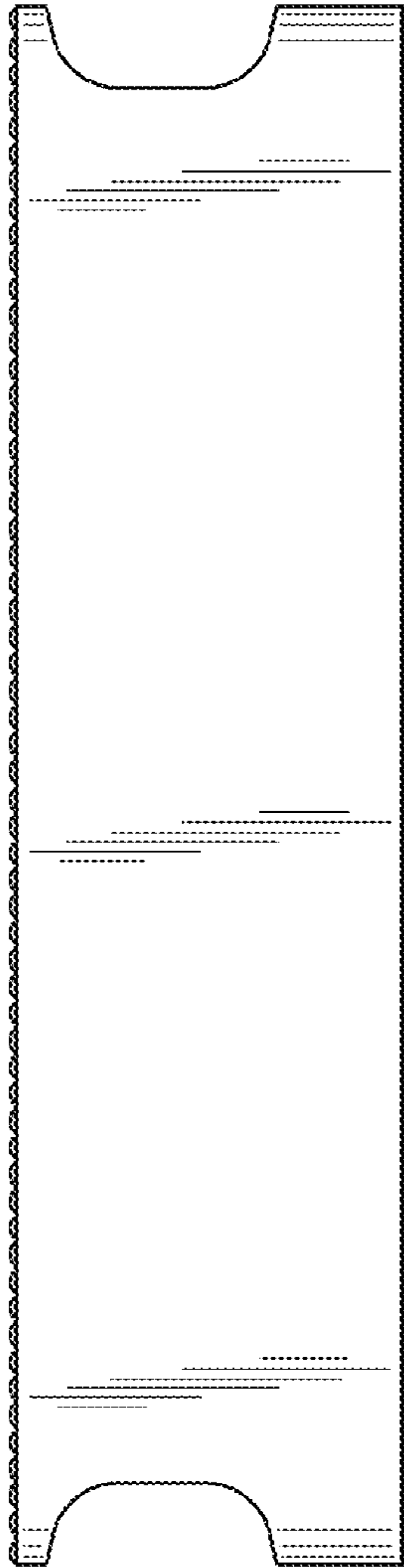


FIG. 8

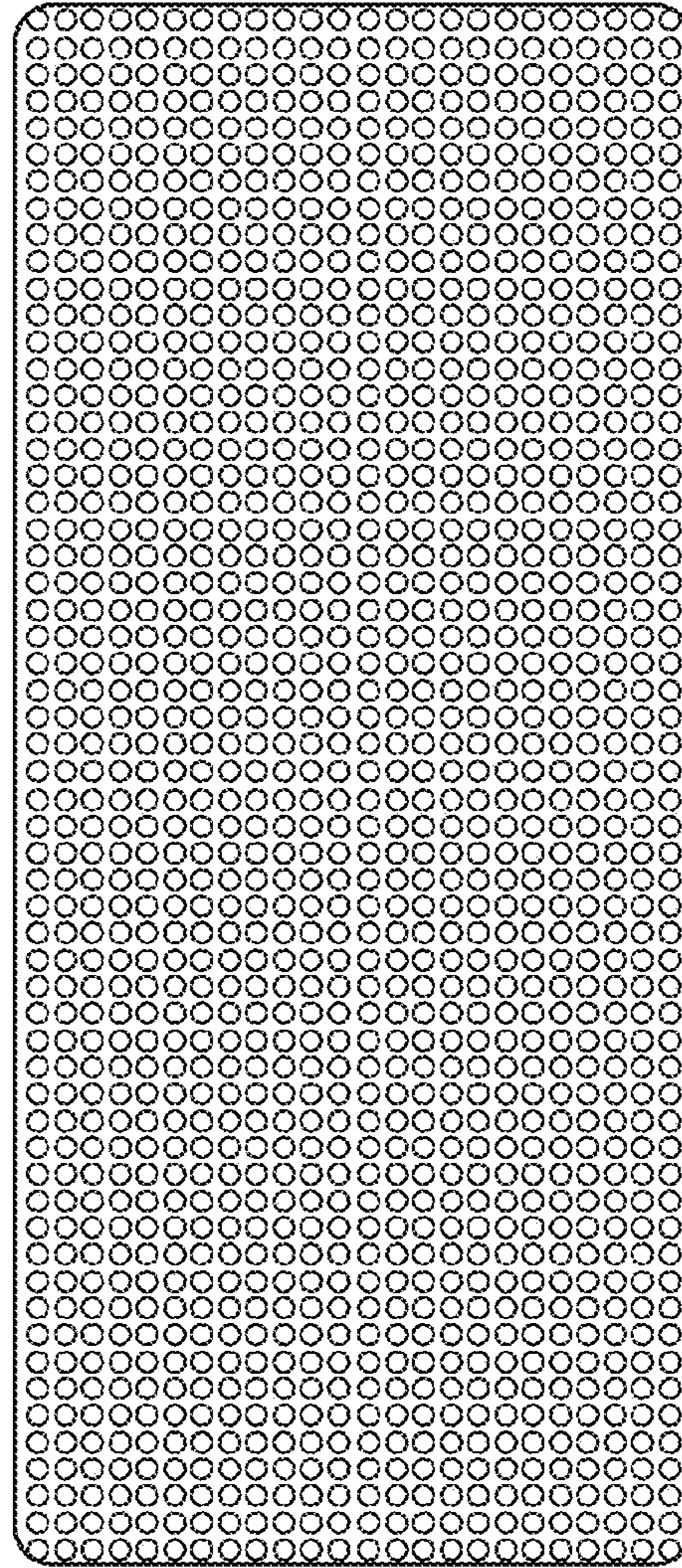


FIG. 9





FIG. 10

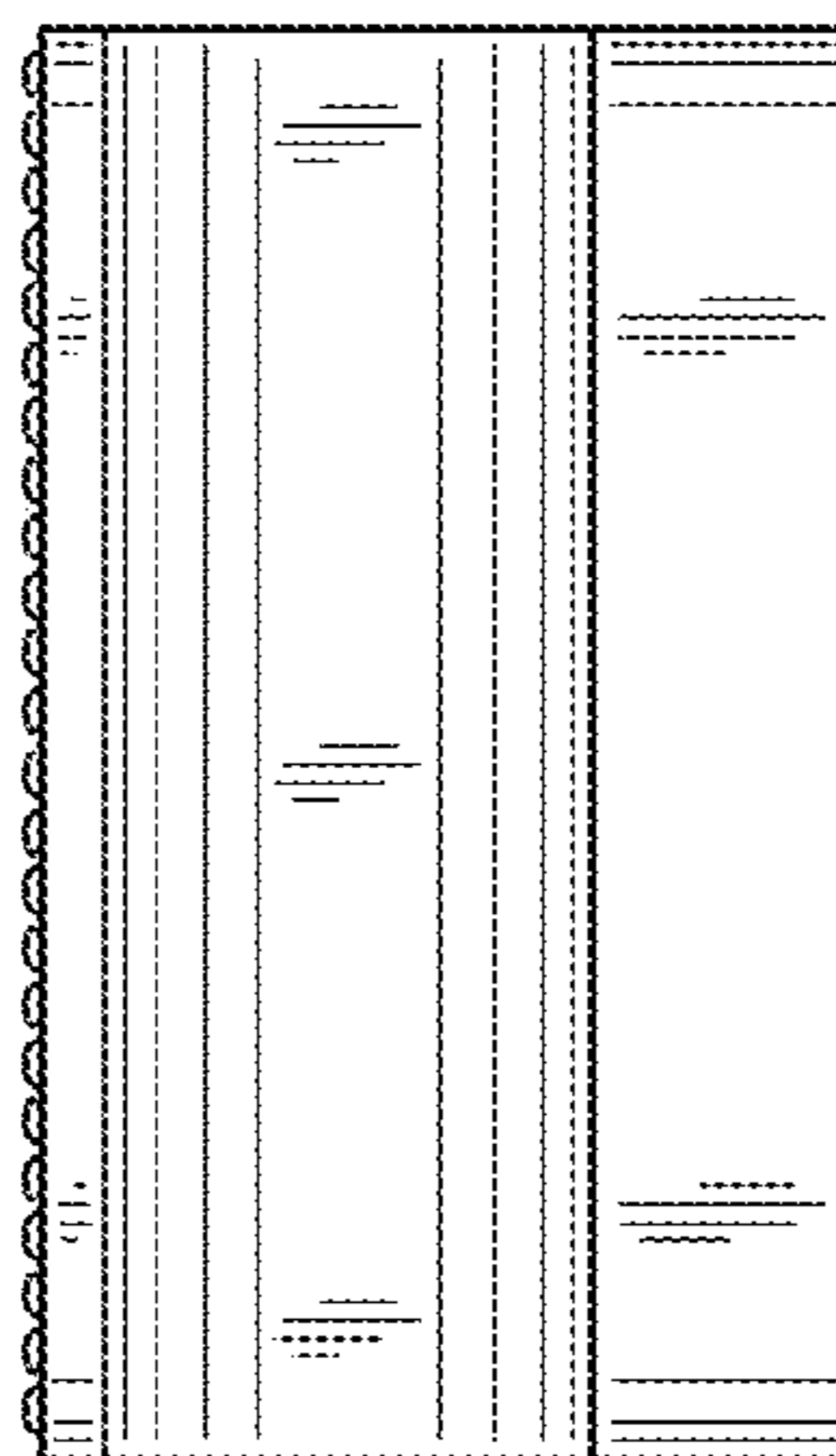


FIG. 11

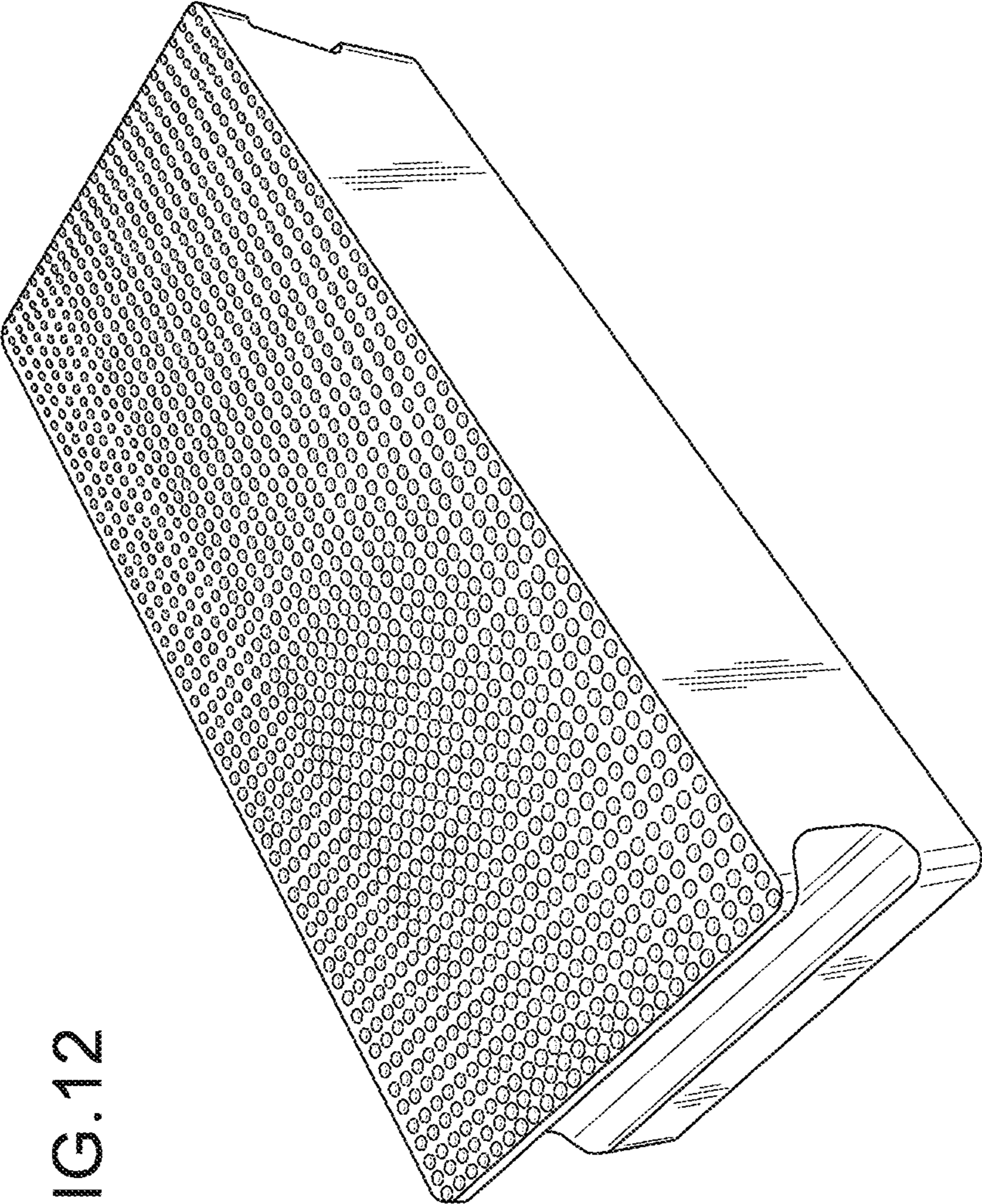


FIG.12

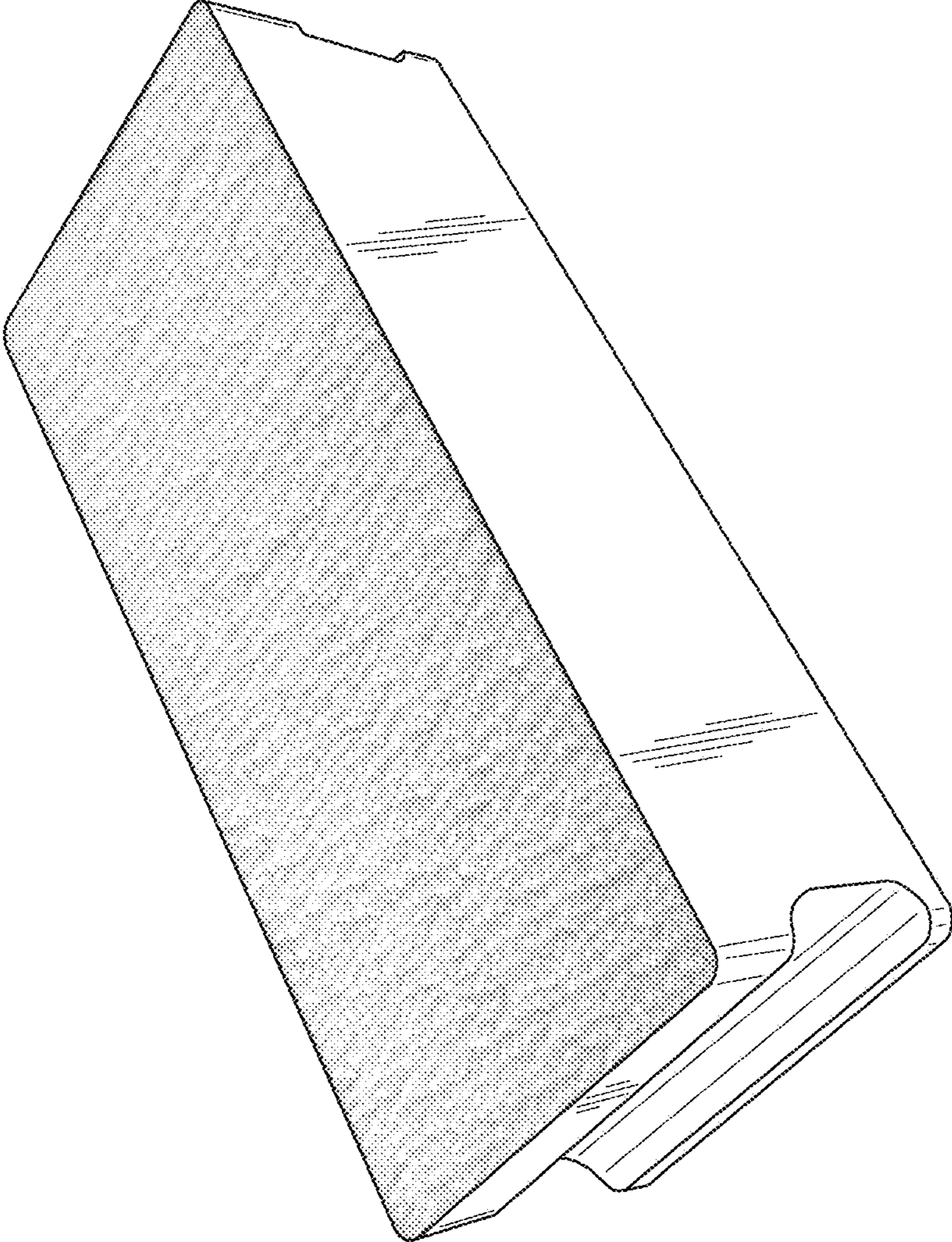


FIG. 13

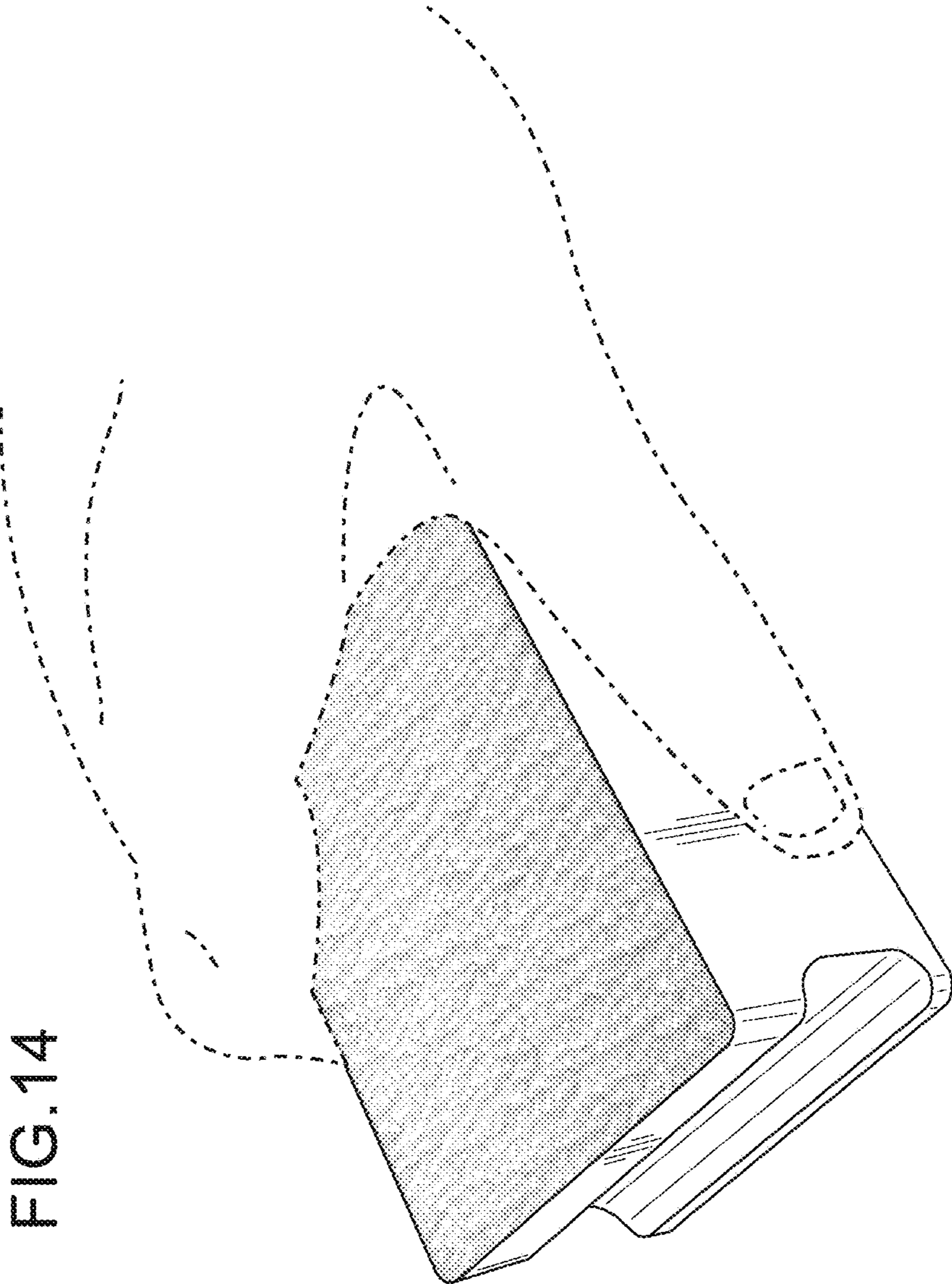


FIG. 14

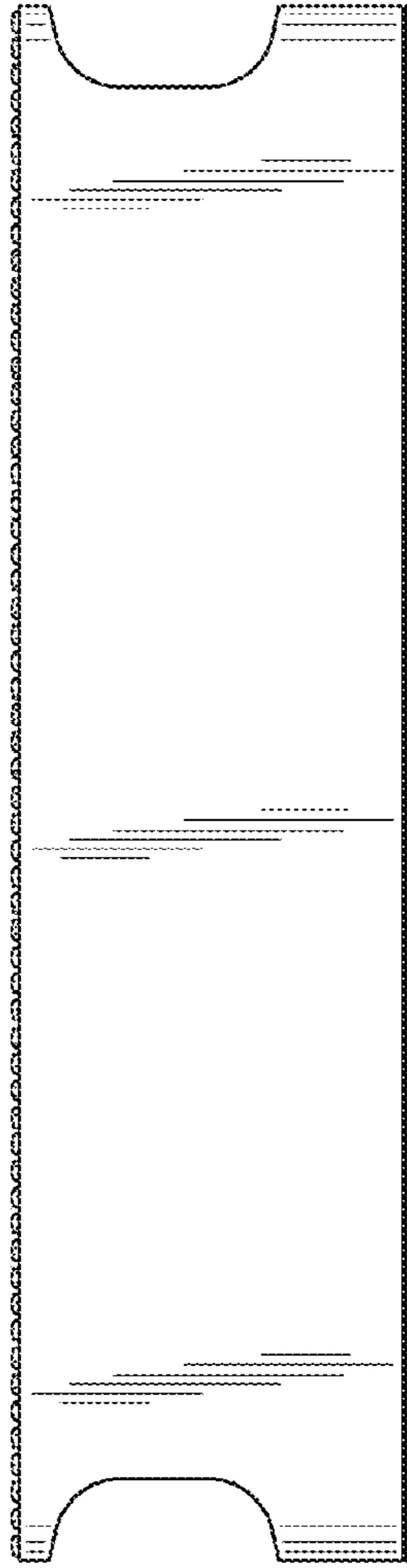


FIG. 15

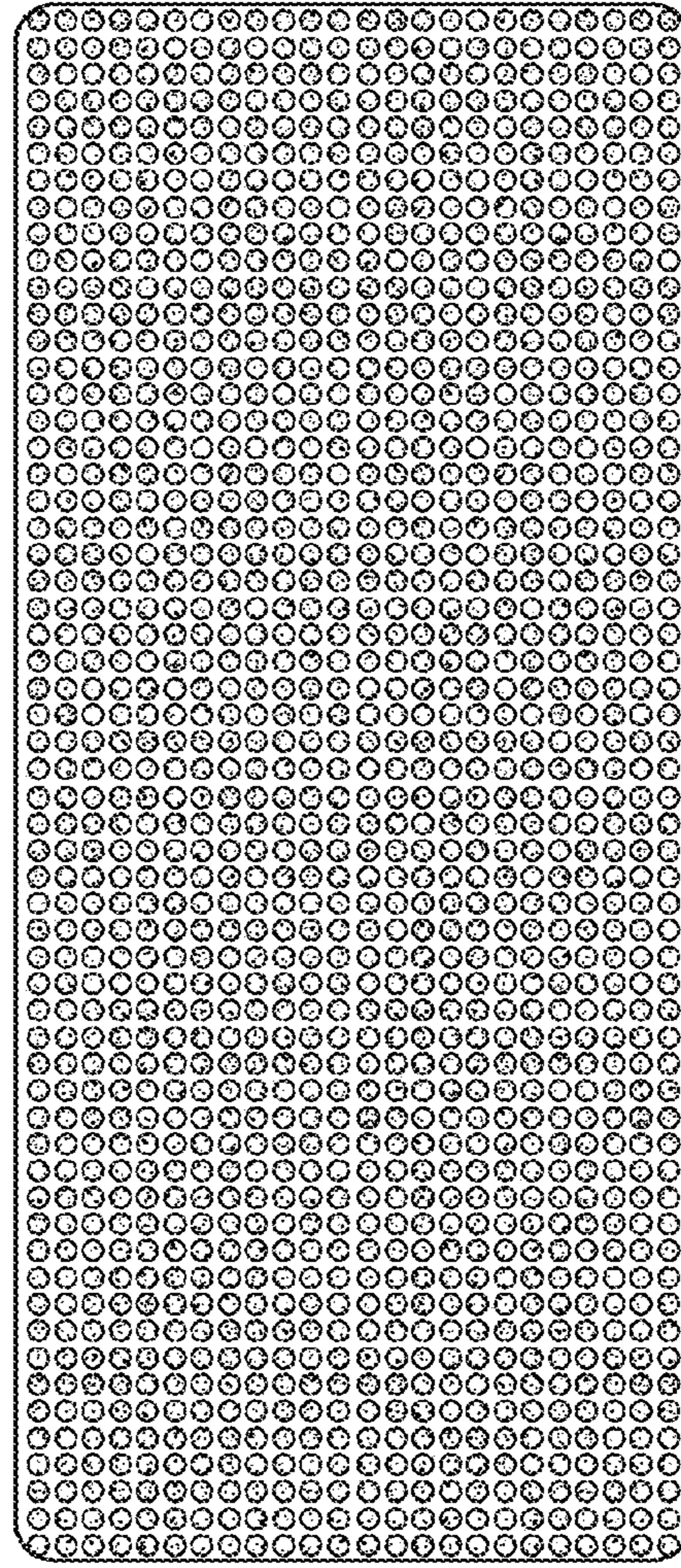


FIG. 16

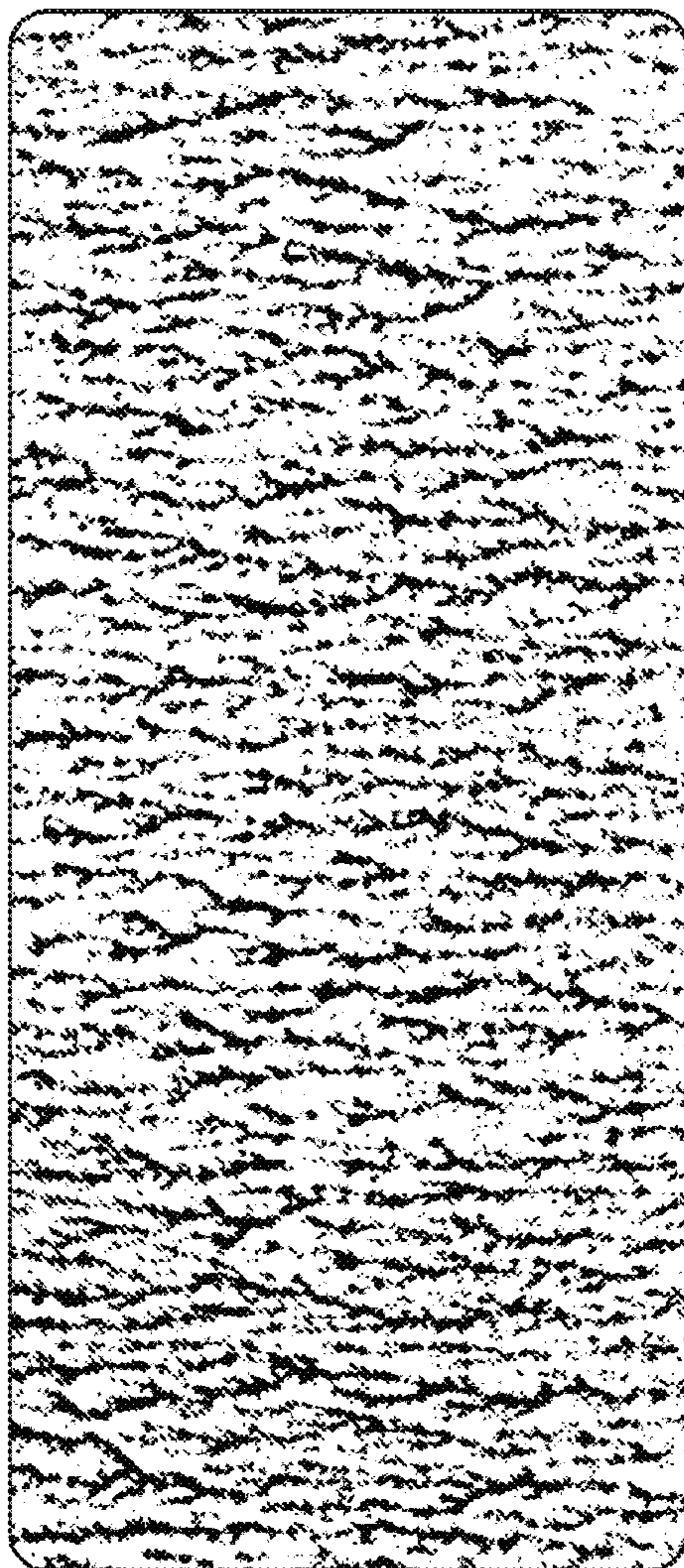


FIG. 17

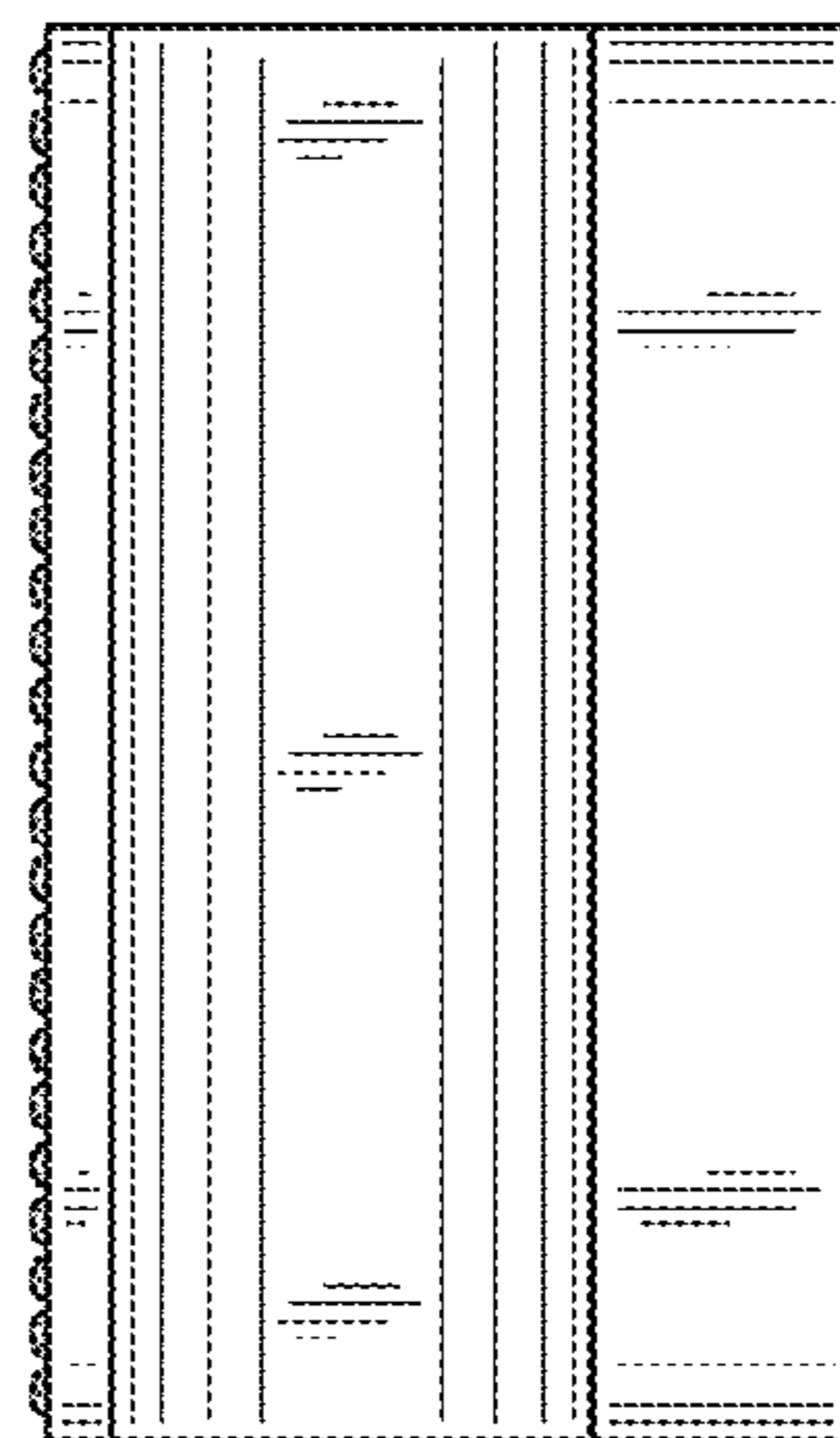


FIG. 18

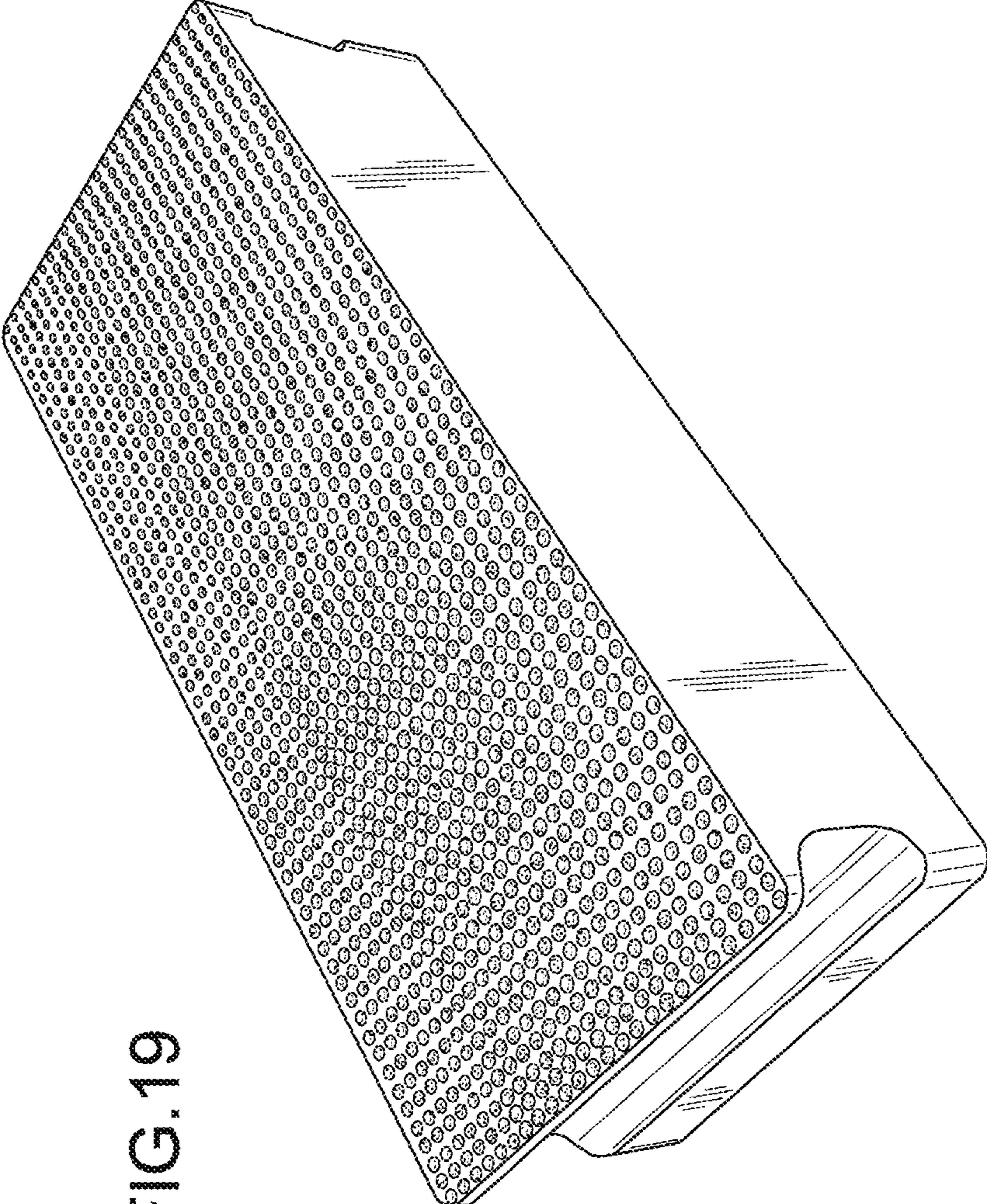


FIG. 19

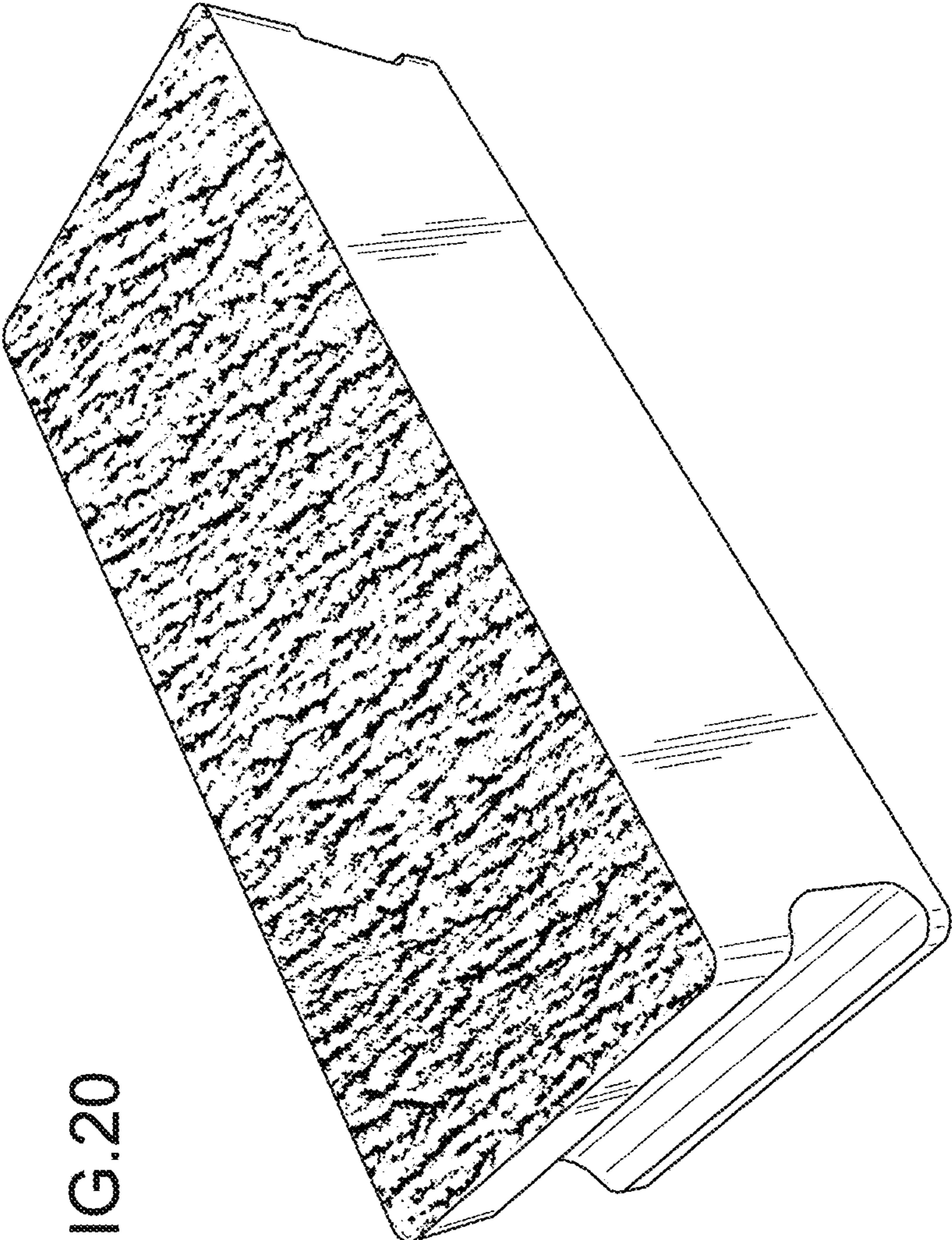


FIG.20



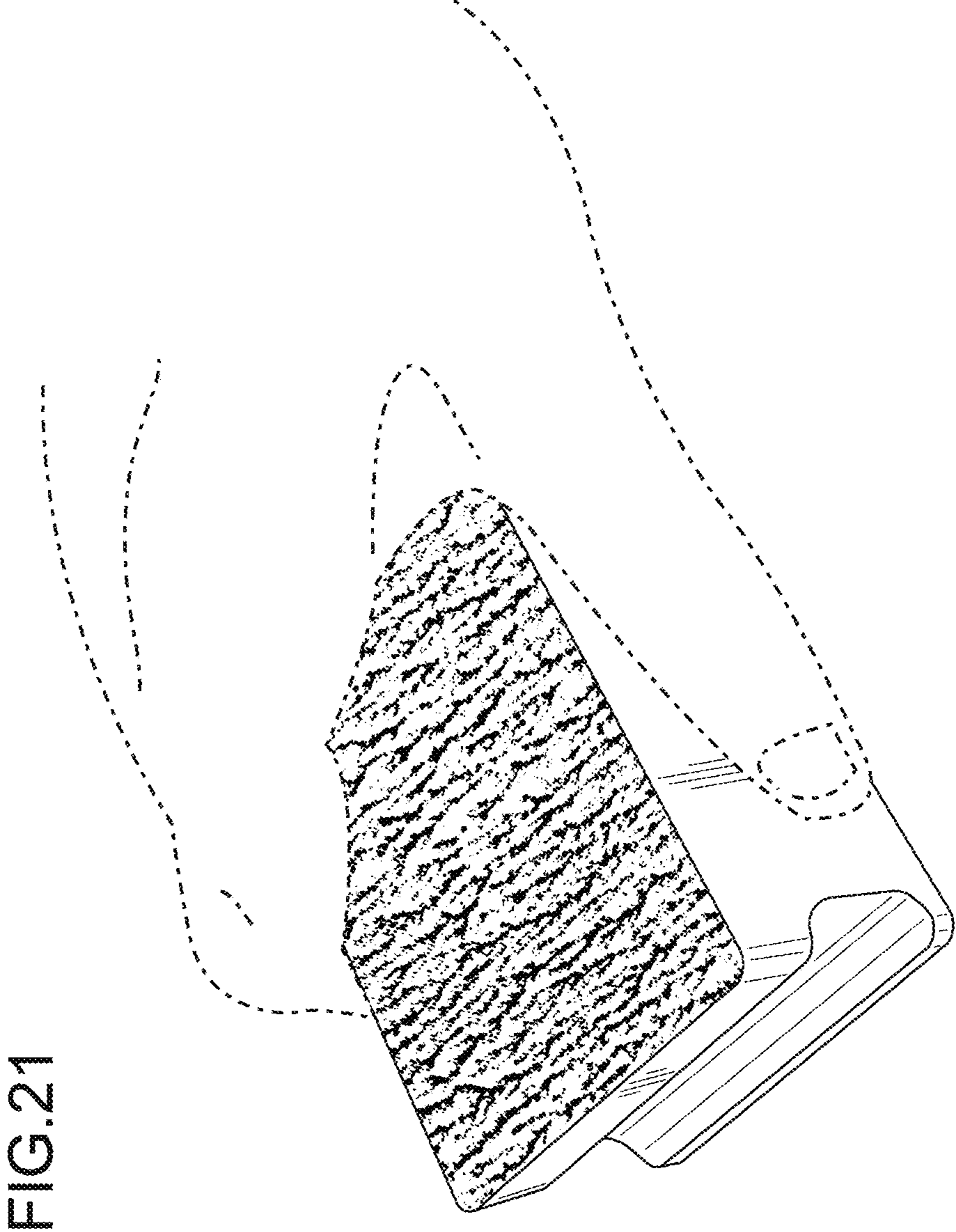


FIG. 21

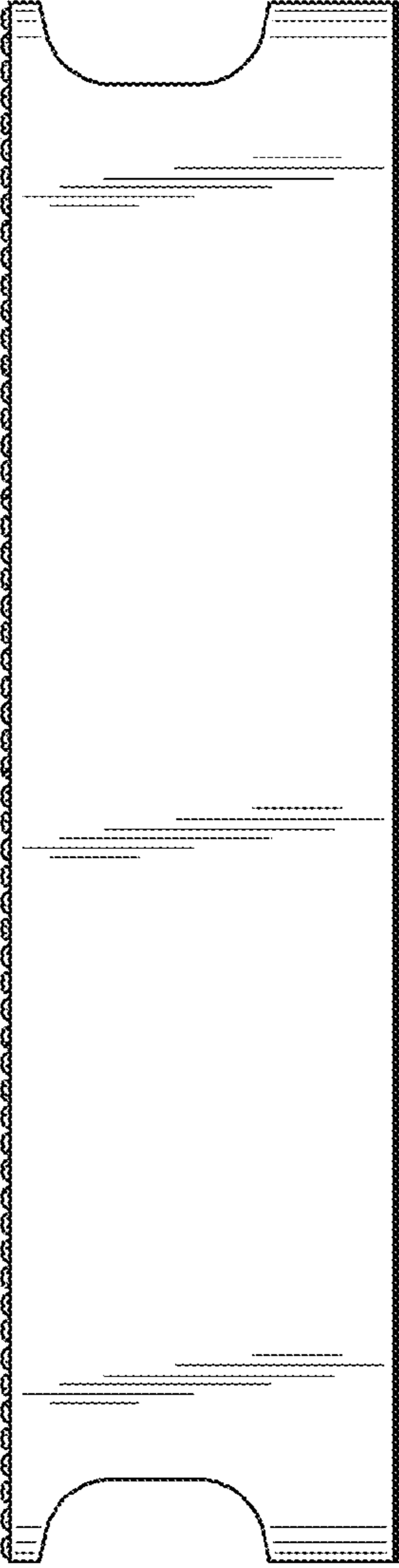


FIG. 22

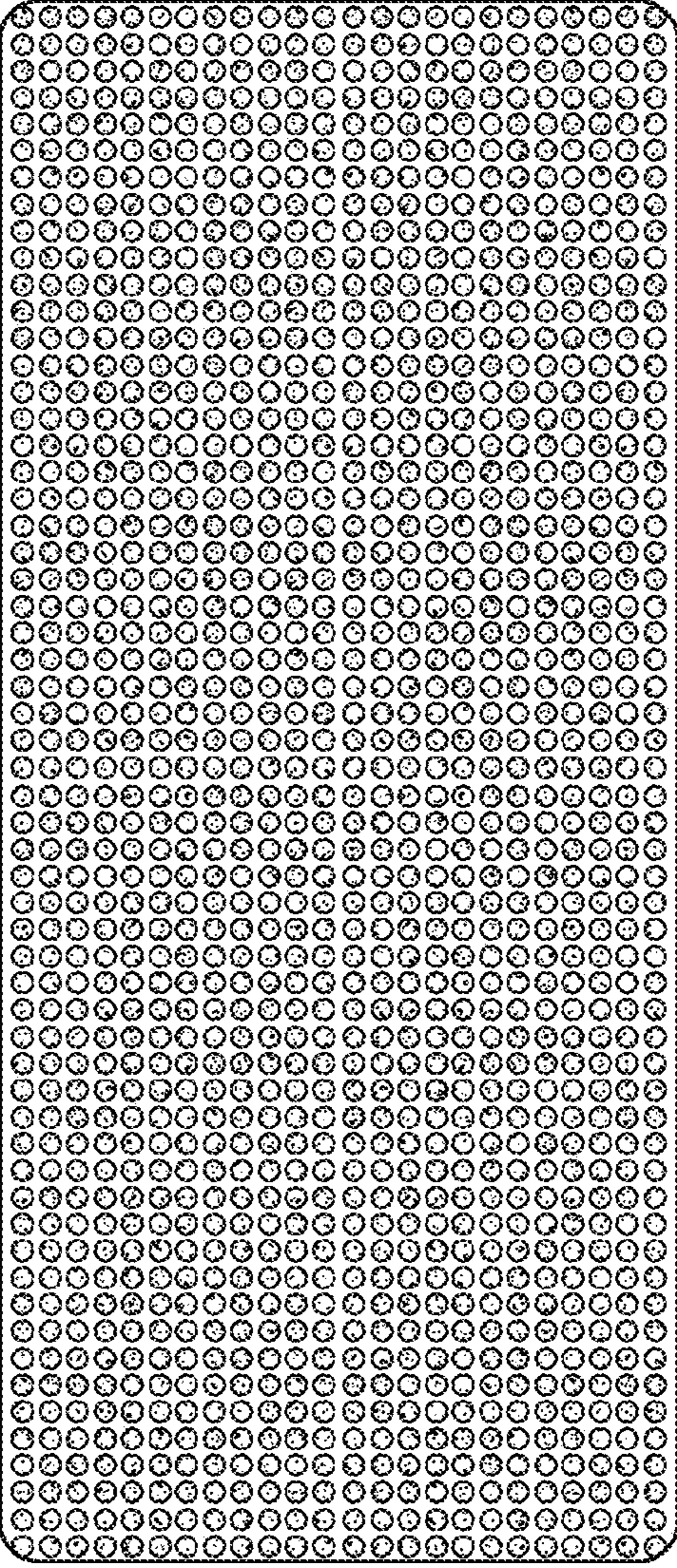


FIG. 23

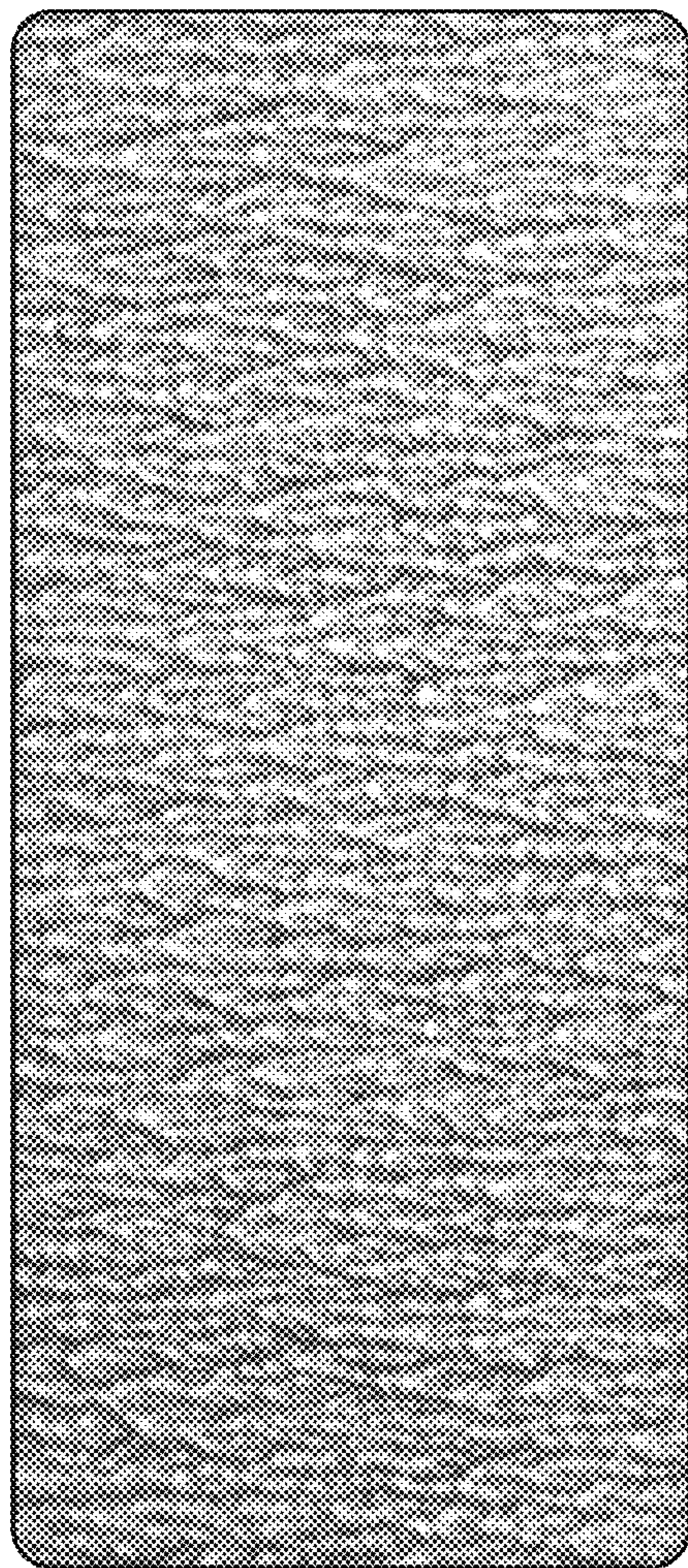


FIG. 24

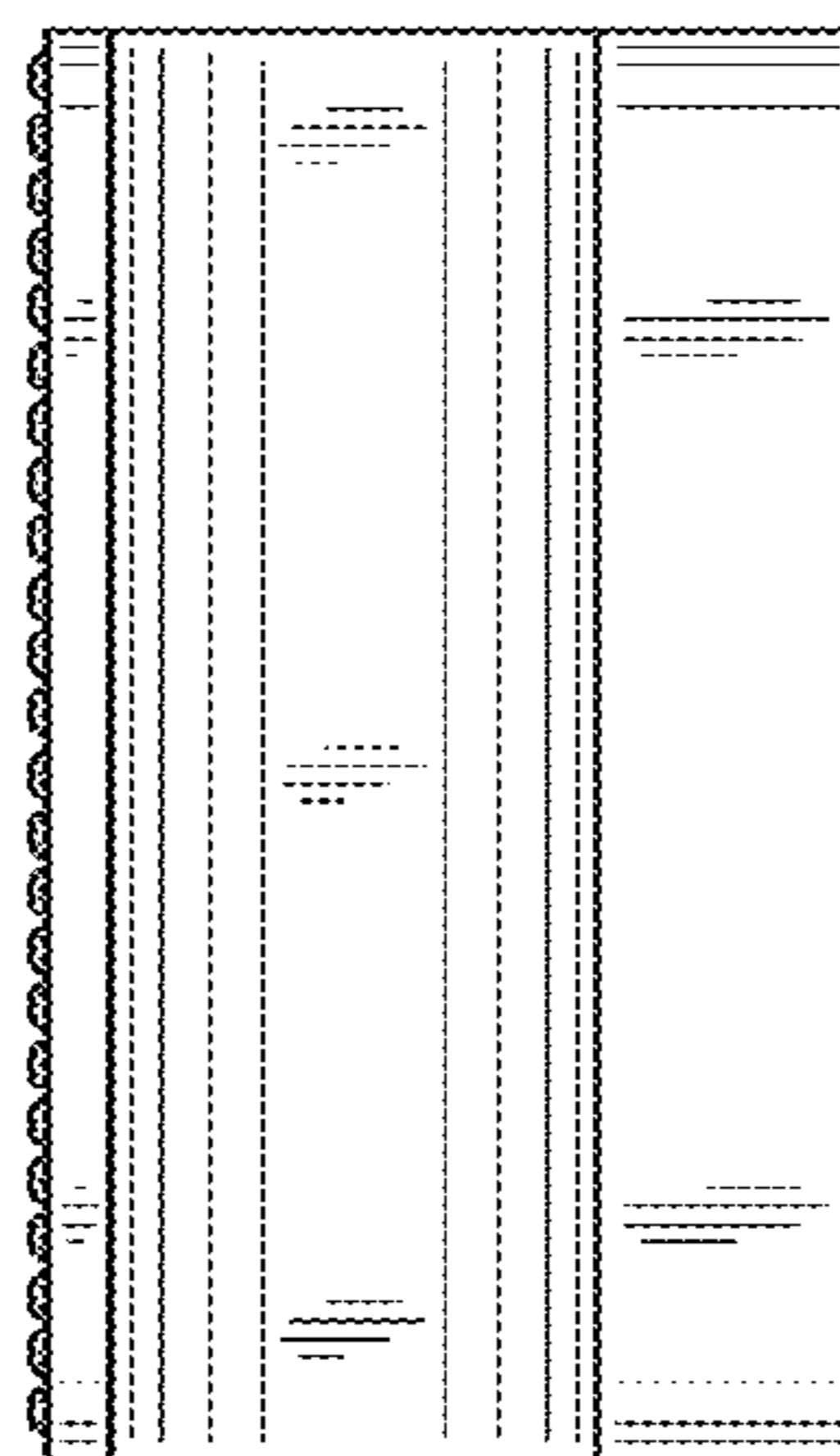


FIG. 25

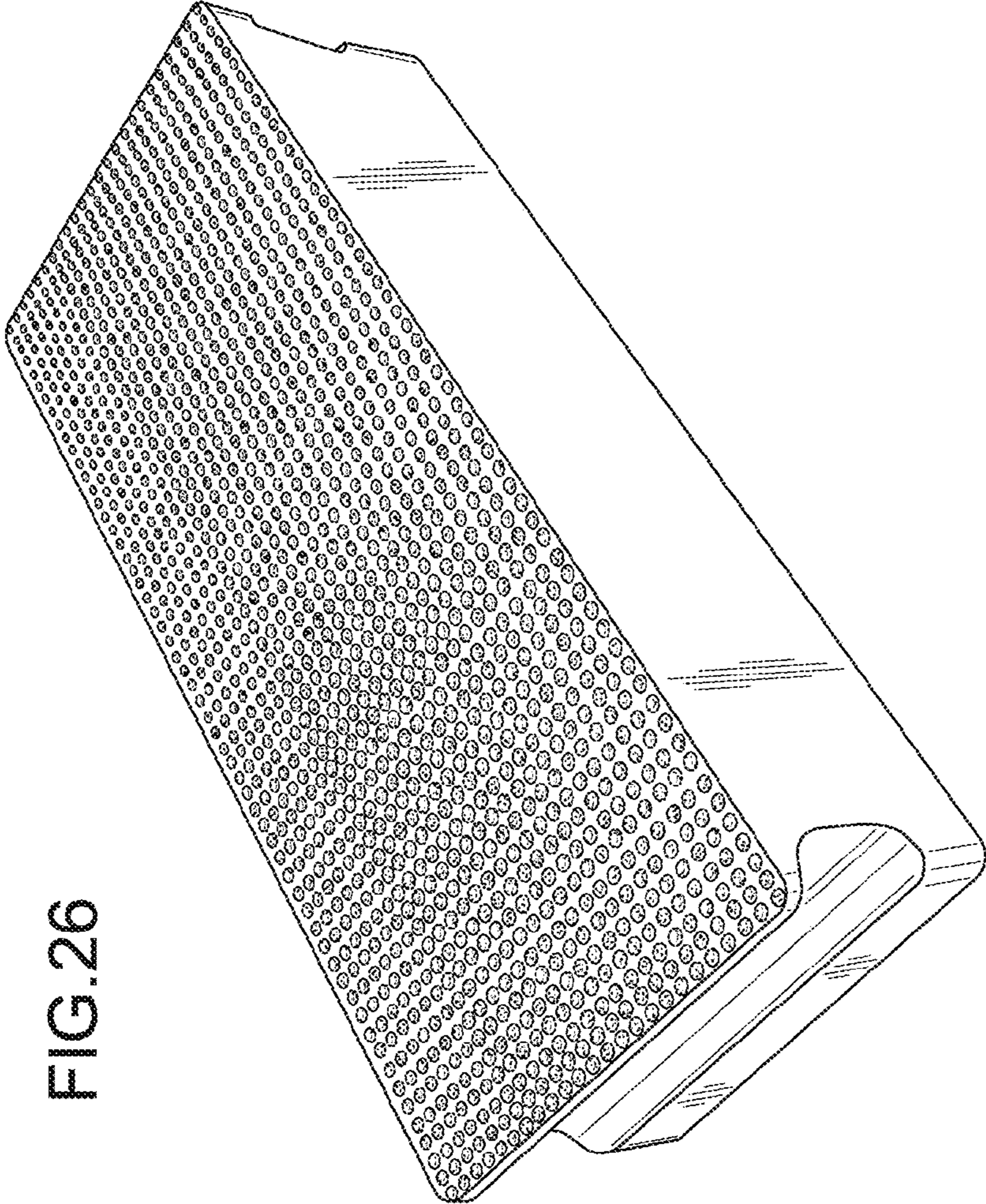


FIG.26

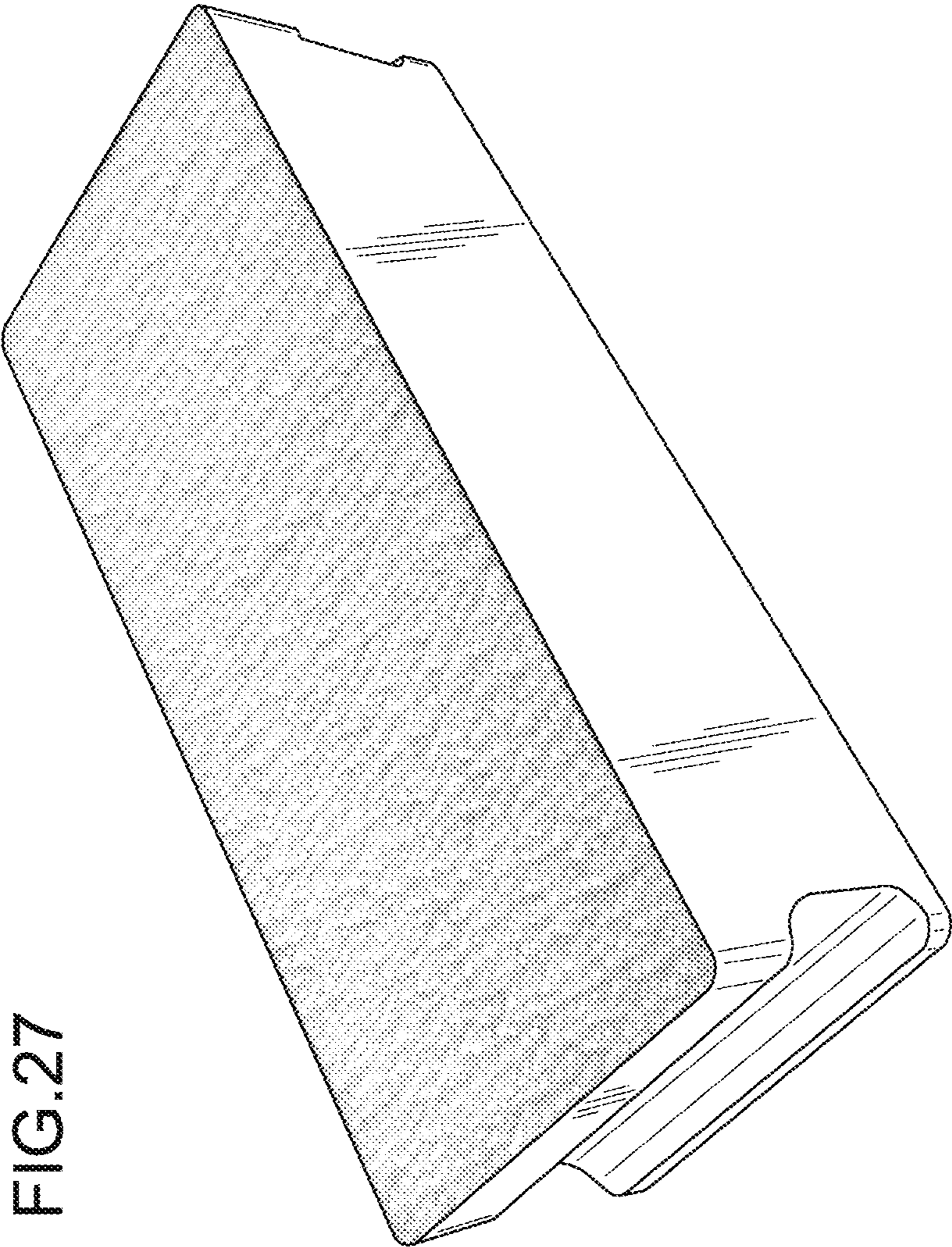


FIG.27

FIG.28

