



US00D699082S

(12) **United States Design Patent**  
**Duvigneau**

(10) **Patent No.:** **US D699,082 S**

(45) **Date of Patent:** **\*\* Feb. 11, 2014**

(54) **CONTAINER WITH LID**

(71) Applicant: **Curver Luxembourg Sarl**, Neidercorn (LU)

(72) Inventor: **Nikolai Duvigneau**, Zichron Yaacov (IL)

(73) Assignee: **Curver Luxembourg Sarl**, Neidercorn (LU)

(\*\*) Term: **14 Years**

(21) Appl. No.: **29/462,929**

(22) Filed: **Aug. 9, 2013**

**Related U.S. Application Data**

(62) Division of application No. 29/399,150, filed on Aug. 10, 2011.

**Foreign Application Priority Data**

Feb. 11, 2011	(EM)	001259949-0009
Feb. 11, 2011	(EM)	001259949-0010
Feb. 11, 2011	(EM)	001259949-0011
Feb. 11, 2011	(EM)	001259949-0012
Feb. 11, 2011	(EM)	001259949-0013
Feb. 11, 2011	(EM)	001259949-0014
Feb. 11, 2011	(EM)	001259949-0015
Feb. 11, 2011	(EM)	001259949-0016
Feb. 11, 2011	(EM)	001259949-0017

(51) **LOC (10) Cl.** ..... **07-07**

(52) **U.S. Cl.**  
USPC ..... **D7/629**

(58) **Field of Classification Search**  
USPC ..... D7/602, 629, 630, 612-615, 538-542,  
D7/391-392, 584, 586, 587; 220/780-806,  
220/669-673, 675, 574-575, 573.1, 660,  
220/260, 326; D9/424-432

See application file for complete search history.

(56) **References Cited**

U.S. PATENT DOCUMENTS

D452,374	S	*	12/2001	Kim	.....	D3/302
6,415,947	B1	*	7/2002	Kim	.....	220/788
D481,910	S	*	11/2003	Kim	.....	D7/629
6,793,096	B1	*	9/2004	Seok	.....	220/788
D517,311	S	*	3/2006	Kim	.....	D3/218
D536,571	S	*	2/2007	Kim	.....	D7/391
D544,762	S	*	6/2007	Zimmerman	.....	D7/629
D618,516	S	*	6/2010	DiPietro et al.	.....	D7/629
D660,095	S	*	5/2012	Kyung	.....	D7/629
2004/0084464	A1	*	5/2004	Koo	.....	220/784
2005/0006390	A1	*	1/2005	Wang	.....	220/326
2005/0035125	A1	*	2/2005	Bae	.....	220/326
2008/0203092	A1	*	8/2008	Stamper et al.	.....	220/203.01

\* cited by examiner

*Primary Examiner* — Terry Wallace

(74) *Attorney, Agent, or Firm* — Nath, Goldberg & Meyer; Jerald L. Meyer; Scott C. Langford

(57) **CLAIM**

The ornamental design for container with lid, as shown and described.

**DESCRIPTION**

FIG. 1 is a top perspective view of a container with lid;  
FIG. 2 is a front elevational view of the container with lid as seen in FIG. 1, with the rear elevational view being identical;  
FIG. 3 is a right elevational view of the container with lid as seen in FIG. 1, with the left elevational view being identical;  
FIG. 4 is a top planar view of the container with lid as seen in FIG. 1;

FIG. 5 is a top perspective view of a second embodiment of a container with lid;

FIG. 6 is a front elevational view of the container with lid as seen in FIG. 5, with the rear elevational view being identical;  
FIG. 7 is a right elevational view of the container with lid as seen in FIG. 5, with the left elevational view being identical;  
FIG. 8 is a top planar view of the container with lid as seen in FIG. 5;

FIG. 9 is a top perspective view of a third embodiment of a container with lid;

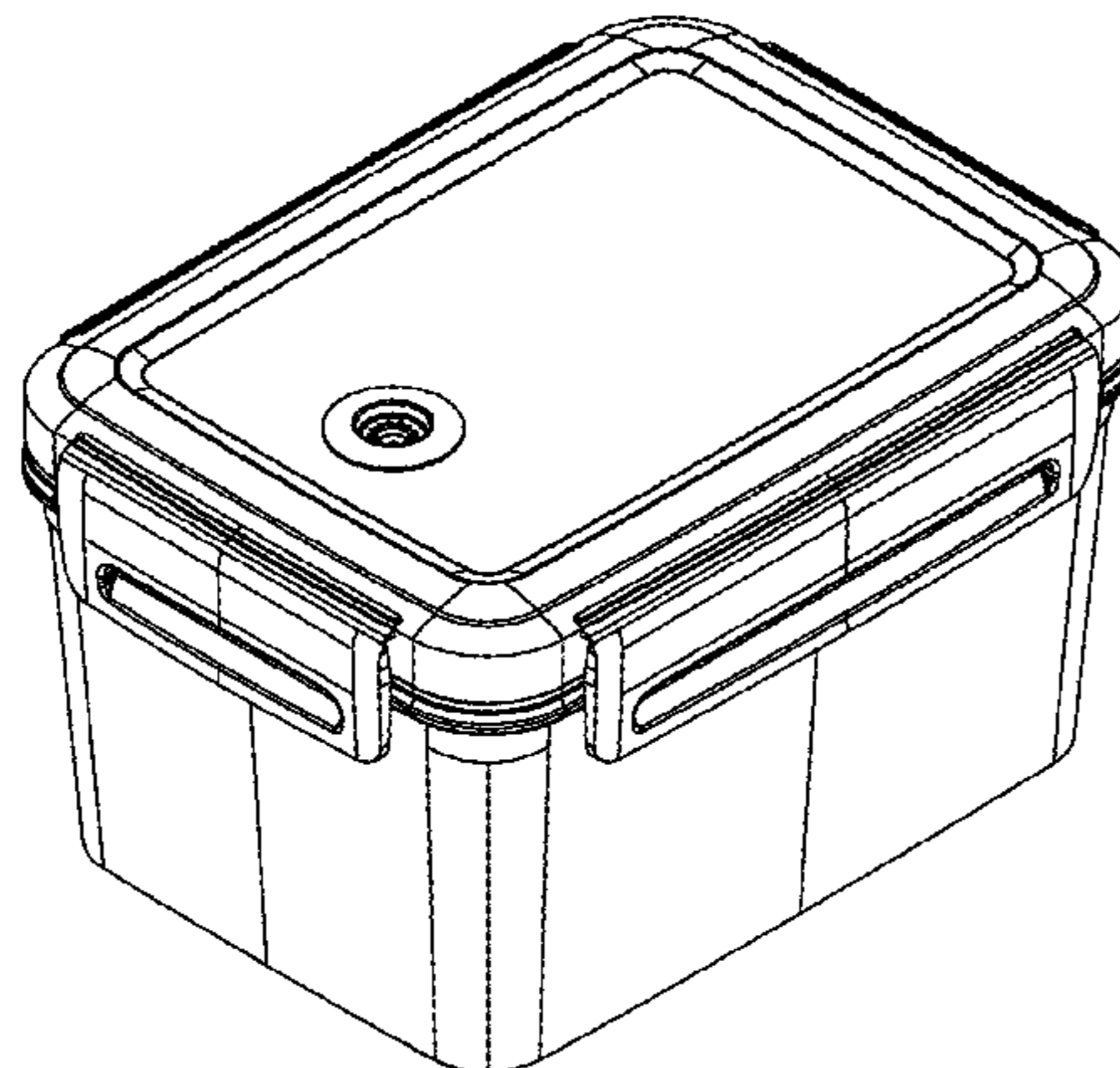


FIG. 10 is a front elevational view of the container with lid as seen in FIG. 9, with the rear elevational view being identical; FIG. 11 is a right elevational view of the container with lid as seen in FIG. 9, with the left elevational view being identical; FIG. 12 is a top planar view of the container with lid as seen in FIG. 9;

FIG. 13 is a top perspective view of a fourth embodiment of a container with lid;

FIG. 14 is a front elevational view of the container with lid as seen in FIG. 13, with the rear elevational view being identical;

FIG. 15 is a right elevational view of the container with lid as seen in FIG. 13, with the left elevational view being identical;

FIG. 16 is a top planar view of the container with lid as seen in FIG. 13;

FIG. 17 is a top perspective view of a fifth embodiment of a container with lid;

FIG. 18 is a front elevational view of the container with lid as seen in FIG. 17, with the rear elevational view being identical;

FIG. 19 is a right elevational view of the container with lid as seen in FIG. 17, with the left elevational view being identical;

FIG. 20 is a top planar view of the design for the container with lid as seen in FIG. 17;

FIG. 21 is a top perspective view of a sixth embodiment of a container with lid;

FIG. 22 is a front elevational view of the container with lid as seen in FIG. 21, with the rear elevational view being identical;

FIG. 23 is a right elevational view of the container with lid as seen in FIG. 21, with the left elevational view being identical;

FIG. 24 is a top planar view of the container with lid as seen in FIG. 21;

FIG. 25 is a top perspective view of a seventh embodiment of a container with lid;

FIG. 26 is a front elevational view of the container with lid as seen in FIG. 25, with the rear elevational view being identical;

FIG. 27 is a right elevational view of the container with lid as seen in FIG. 25, with the left elevational view being identical;

FIG. 28 is a top planar view of the container with lid as seen in FIG. 25;

FIG. 29 is a top perspective view of an eighth embodiment of a container with lid;

FIG. 30 is a front elevational view of the container with lid as seen in FIG. 29, with the rear elevational view being identical;

FIG. 31 is a right elevational view of the container with lid as seen in FIG. 29, with the left elevational view being identical;

FIG. 32 is a top planar view of the container with lid as seen in FIG. 29;

FIG. 33 is a top perspective view of a ninth embodiment of a container with lid;

FIG. 34 is a front elevational view of the container with lid as seen in FIG. 33, with the rear elevational view being identical;

FIG. 35 is a right elevational view of the container with lid as seen in FIG. 33, with the left elevational view being identical;

and,

FIG. 36 is a top planar view of the container with lid as seen in FIG. 33.

**1 Claim, 36 Drawing Sheets**

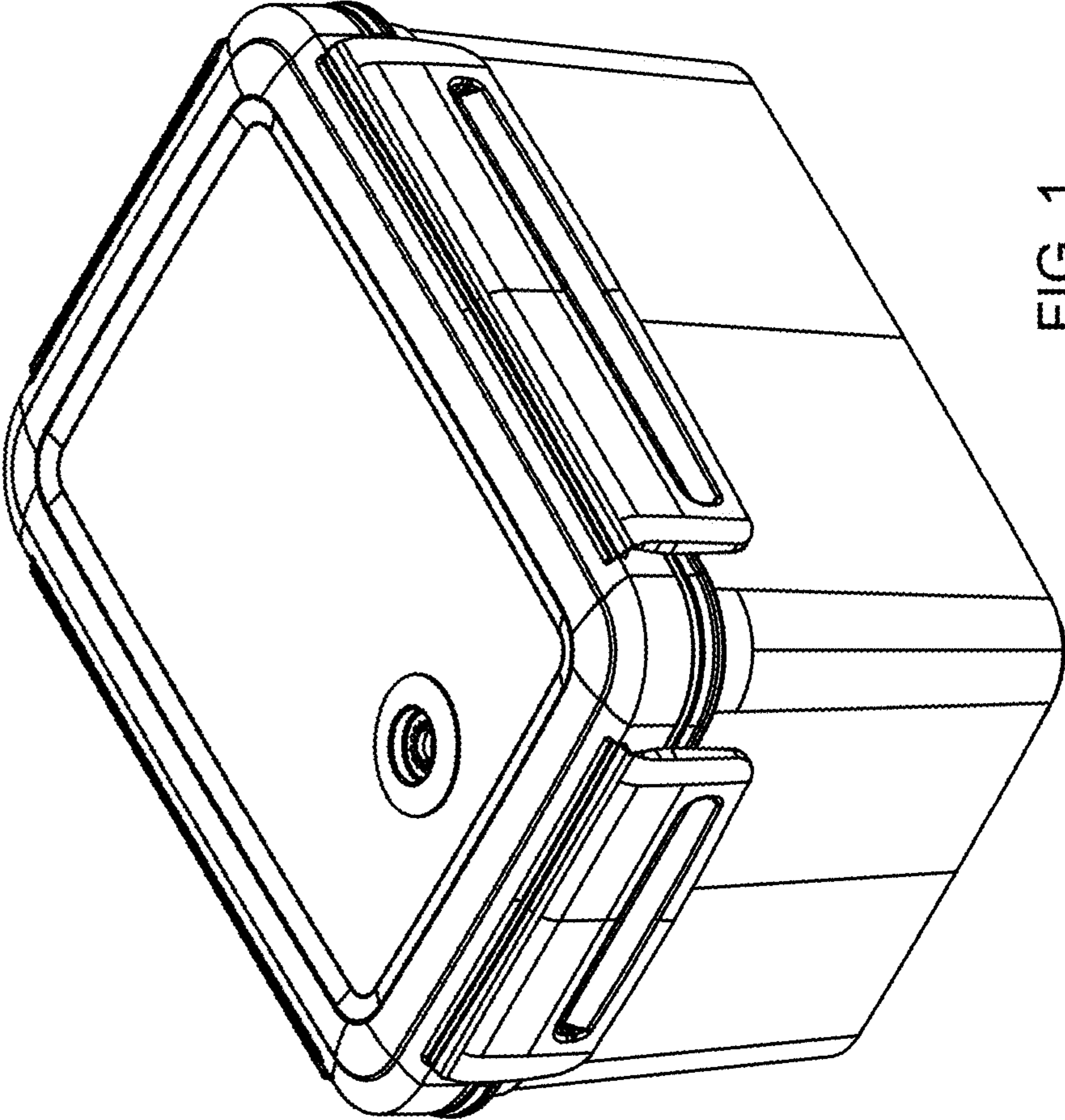


FIG. 1

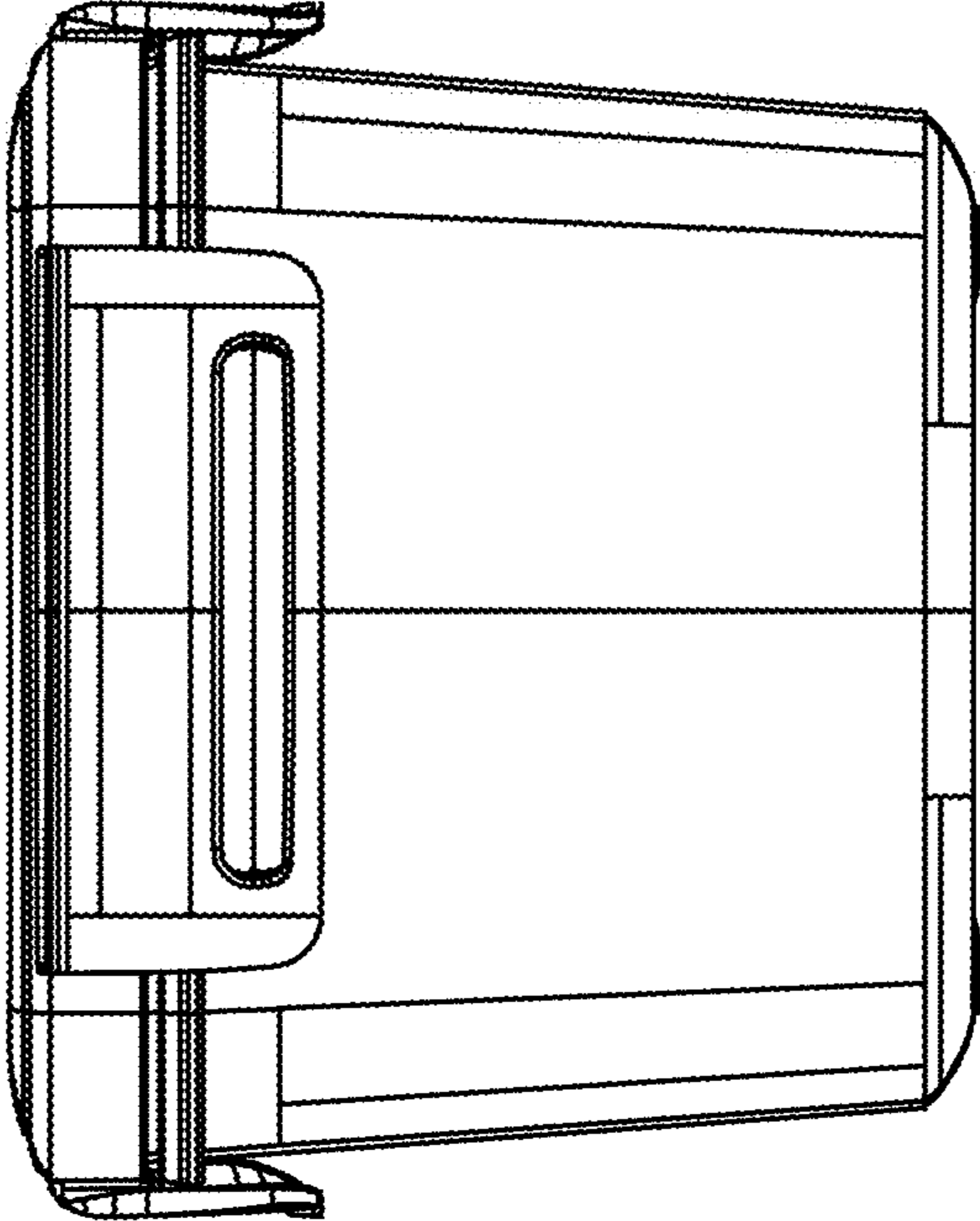


FIG. 2

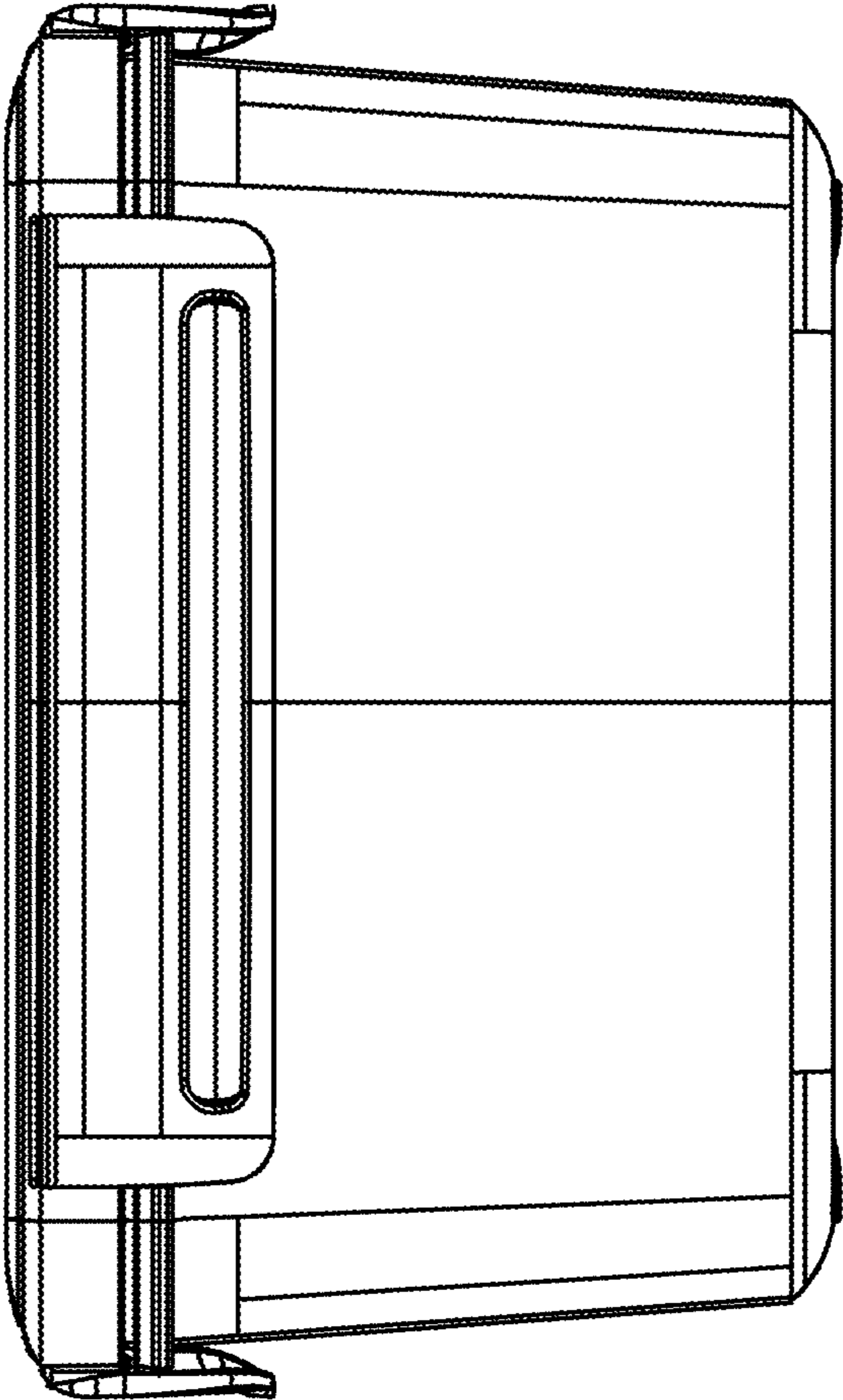


FIG. 3

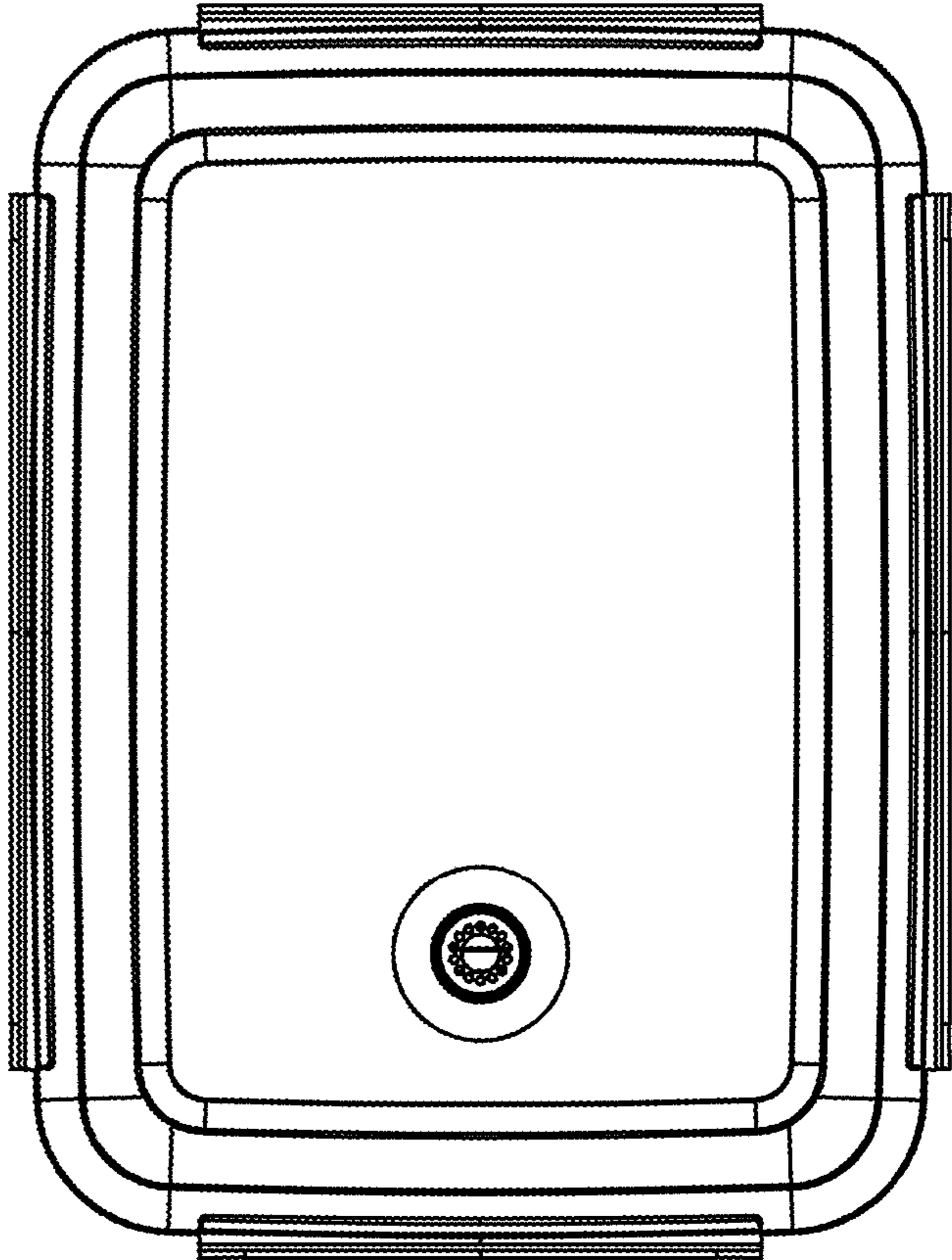


FIG. 4

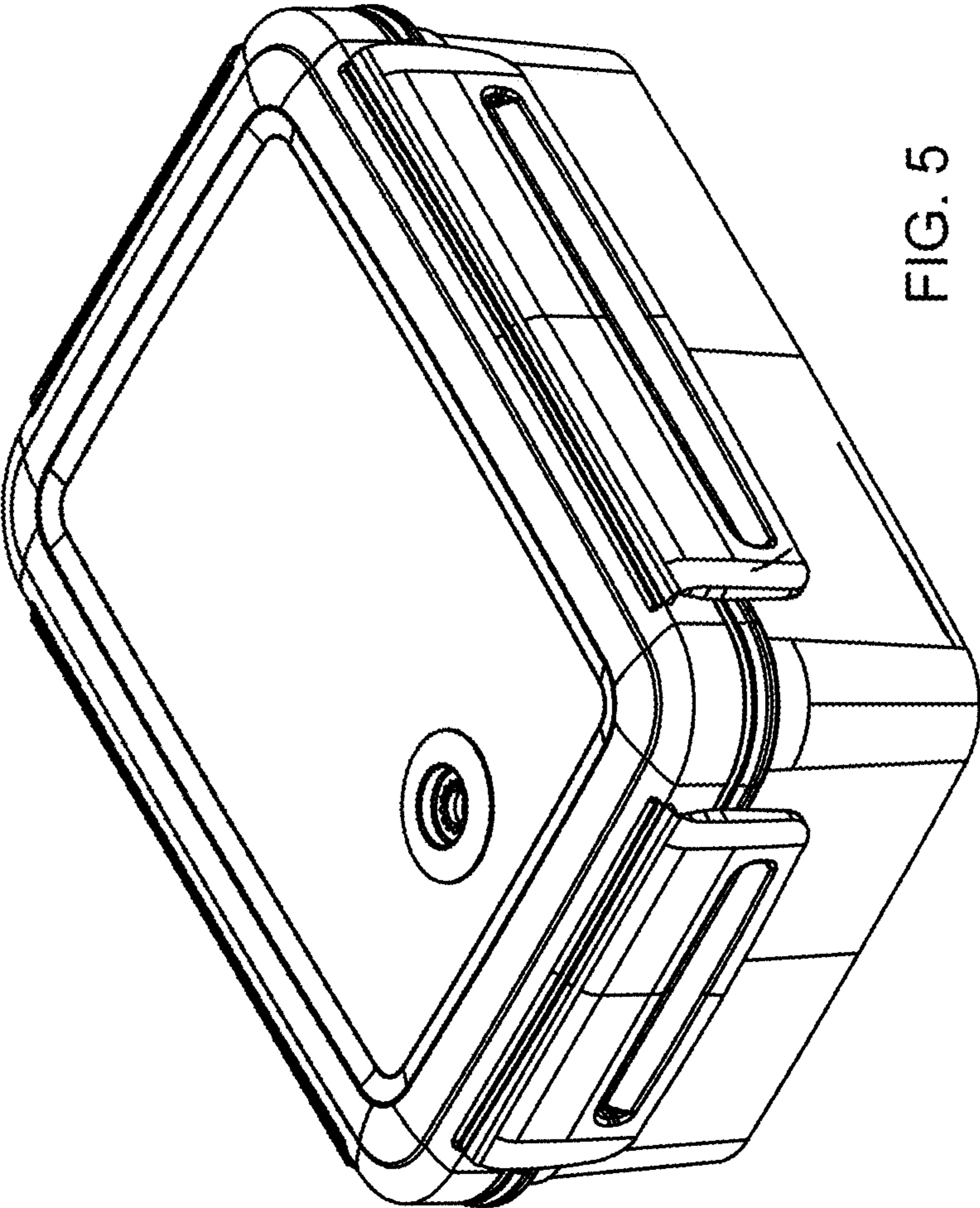


FIG. 5

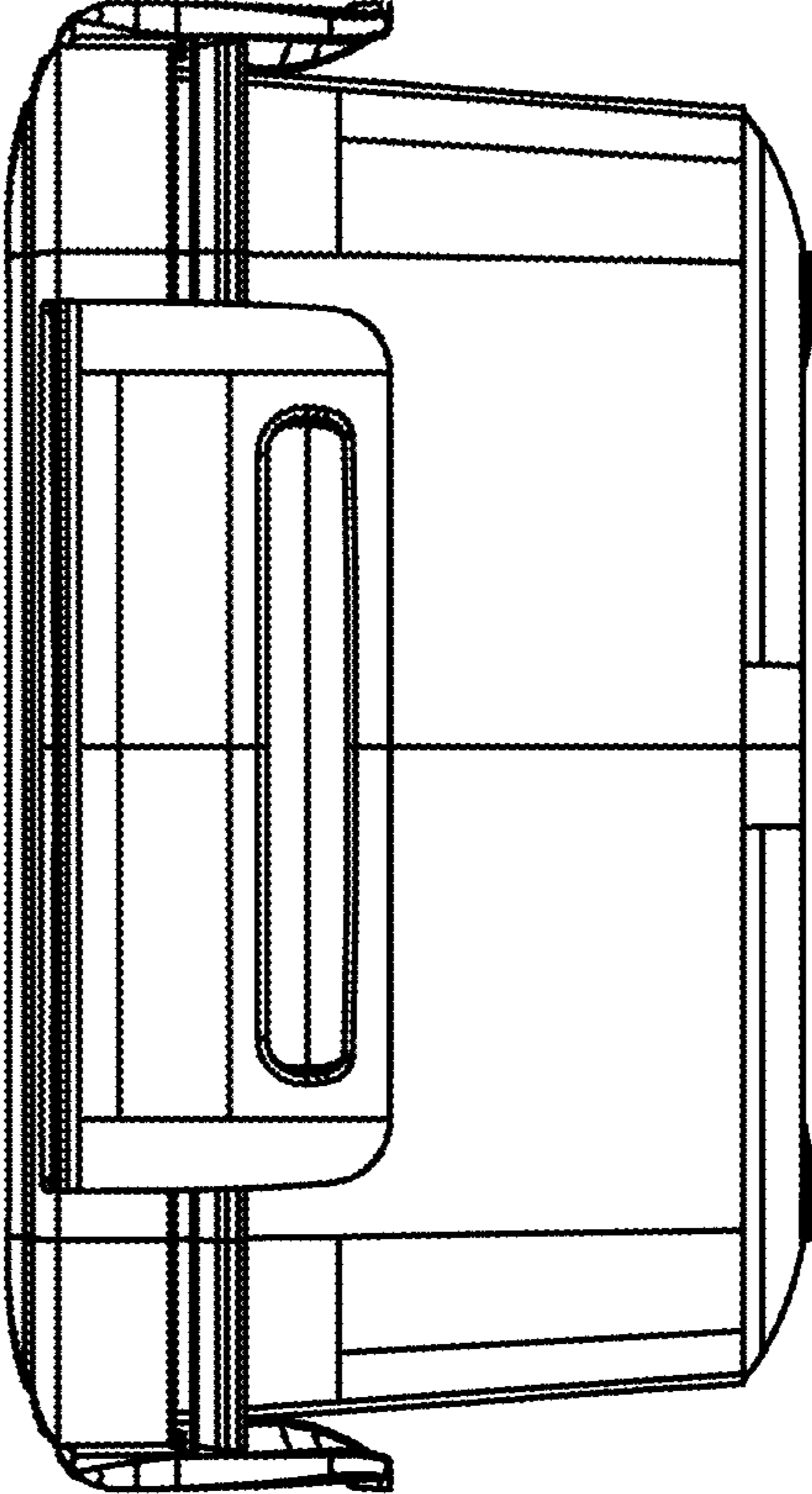


FIG. 6



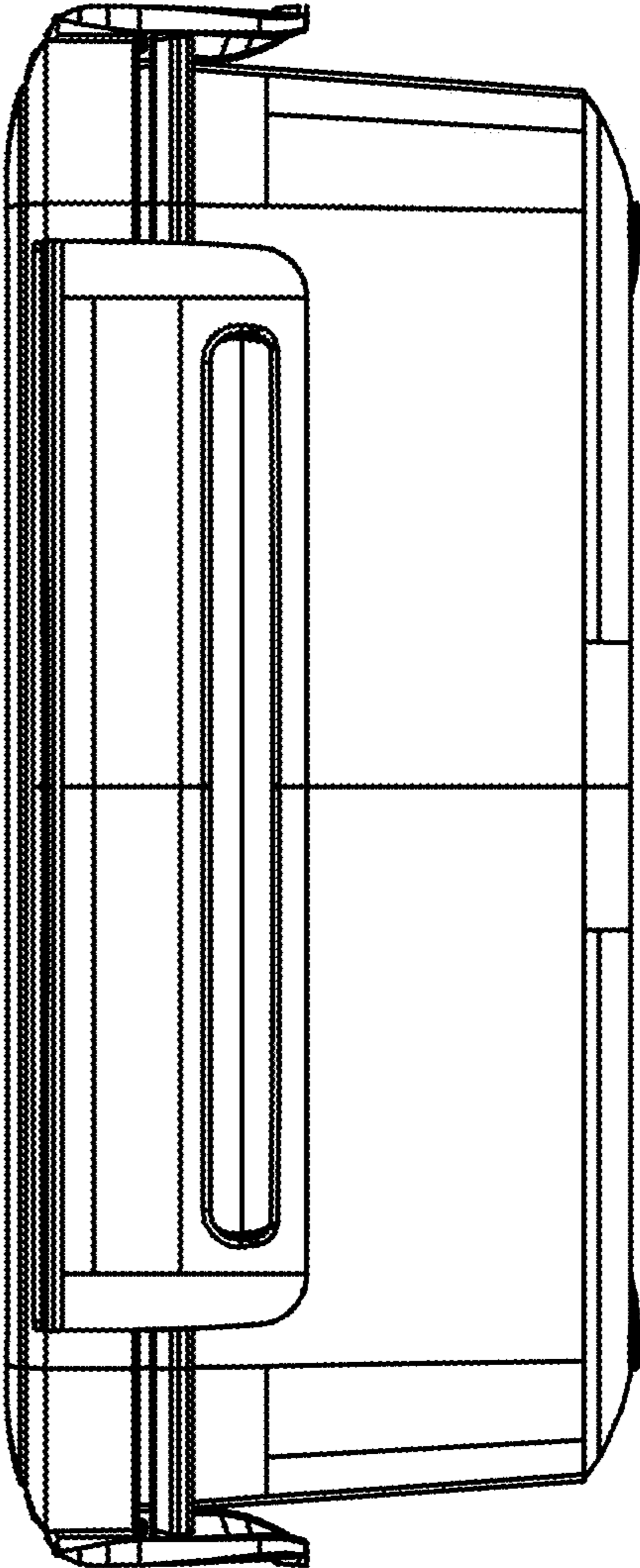


FIG. 7

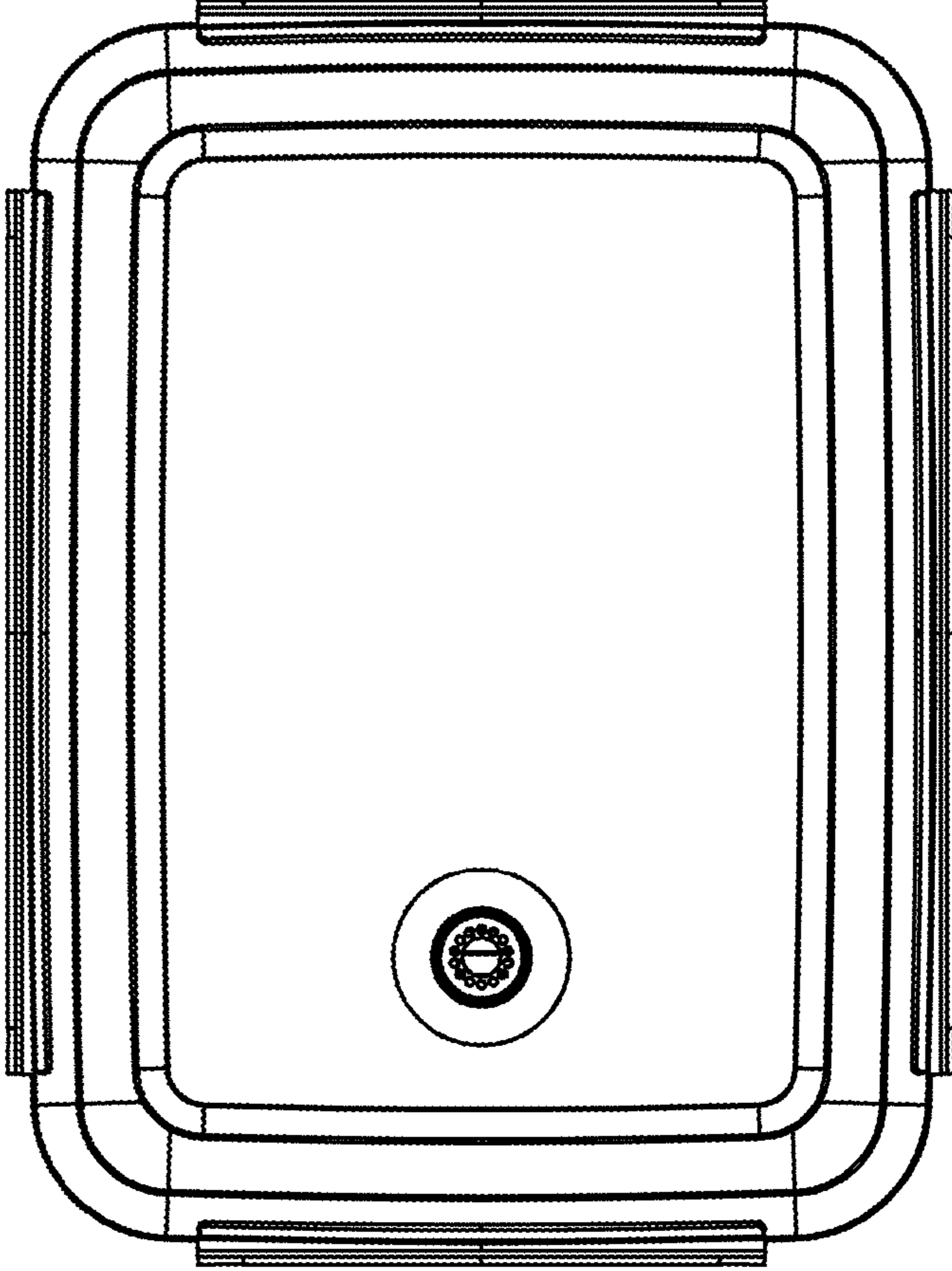


FIG. 8

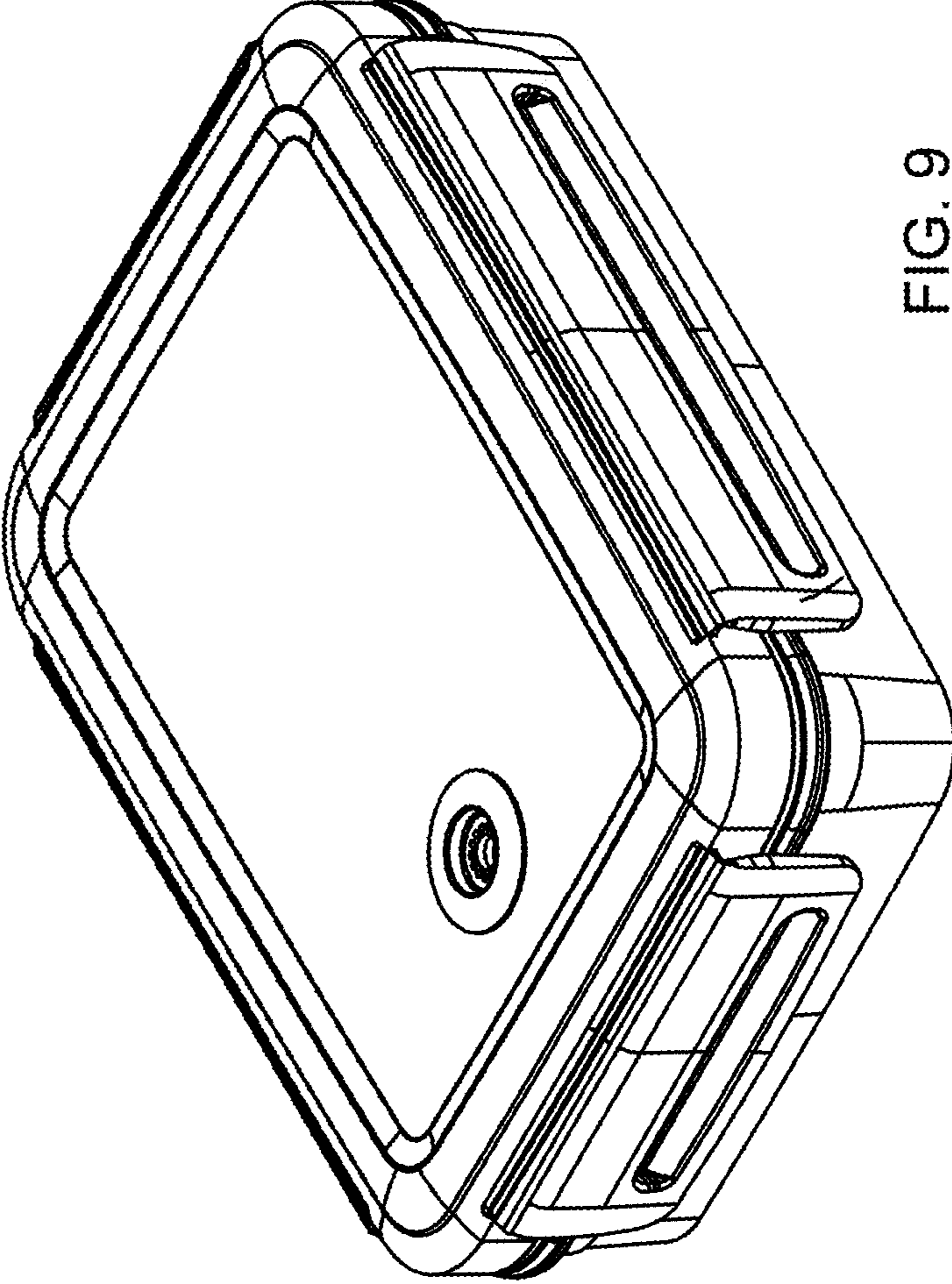


FIG. 9

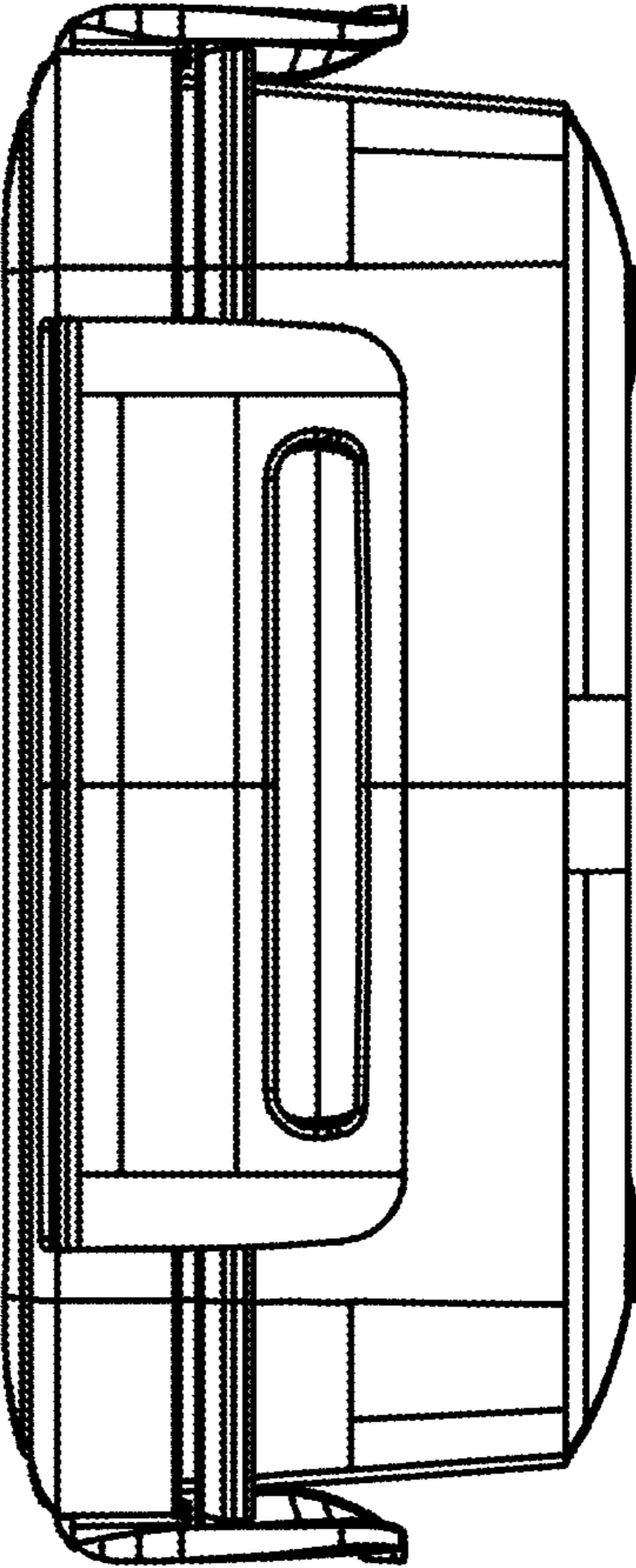


FIG. 10

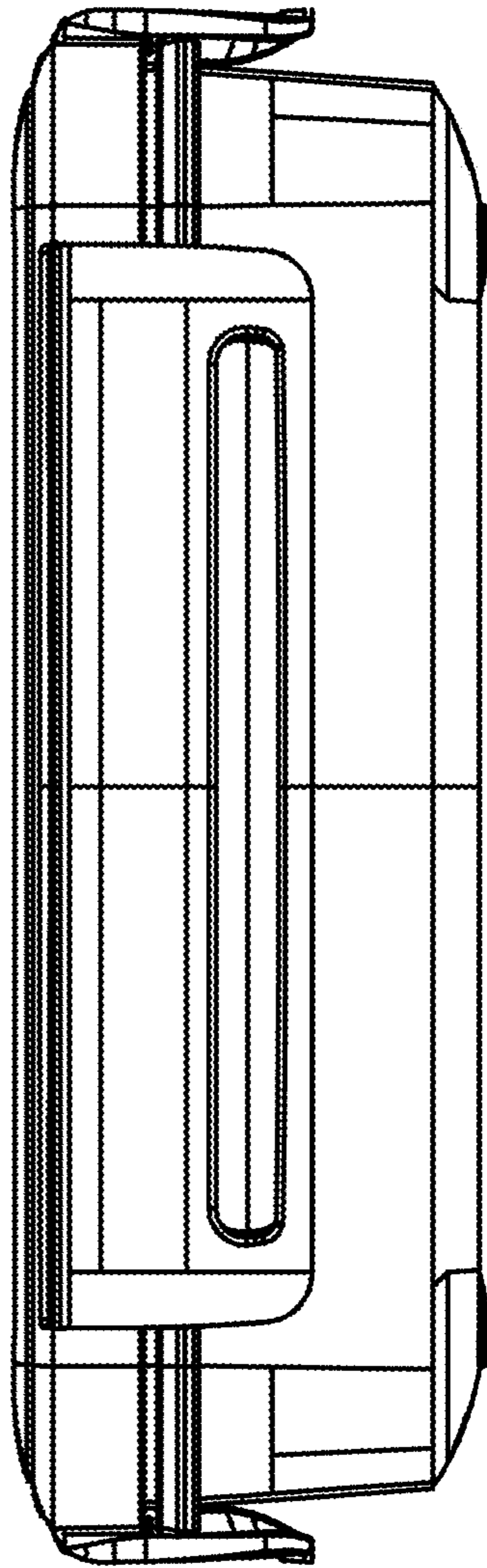


FIG. 11

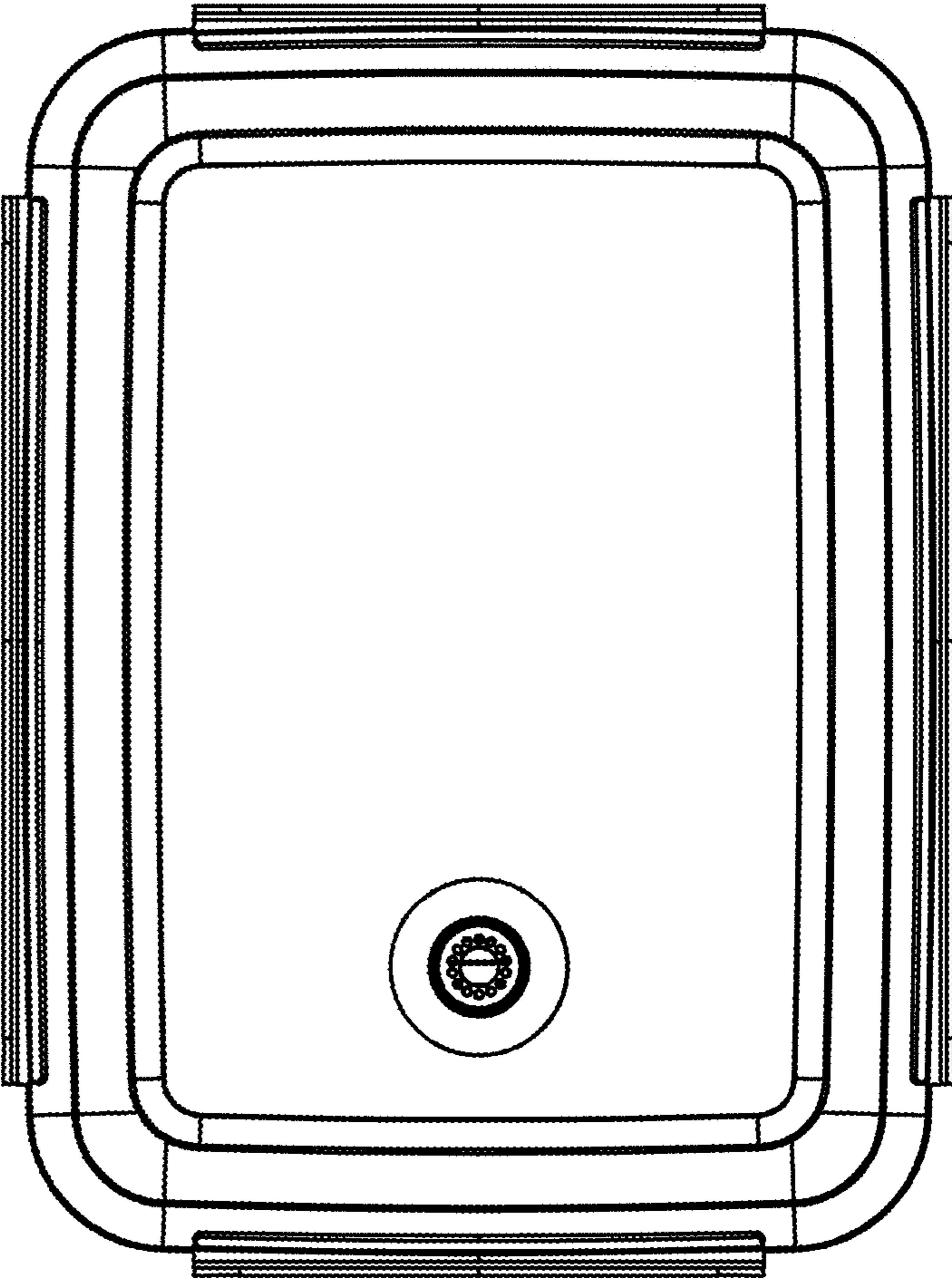


FIG. 12

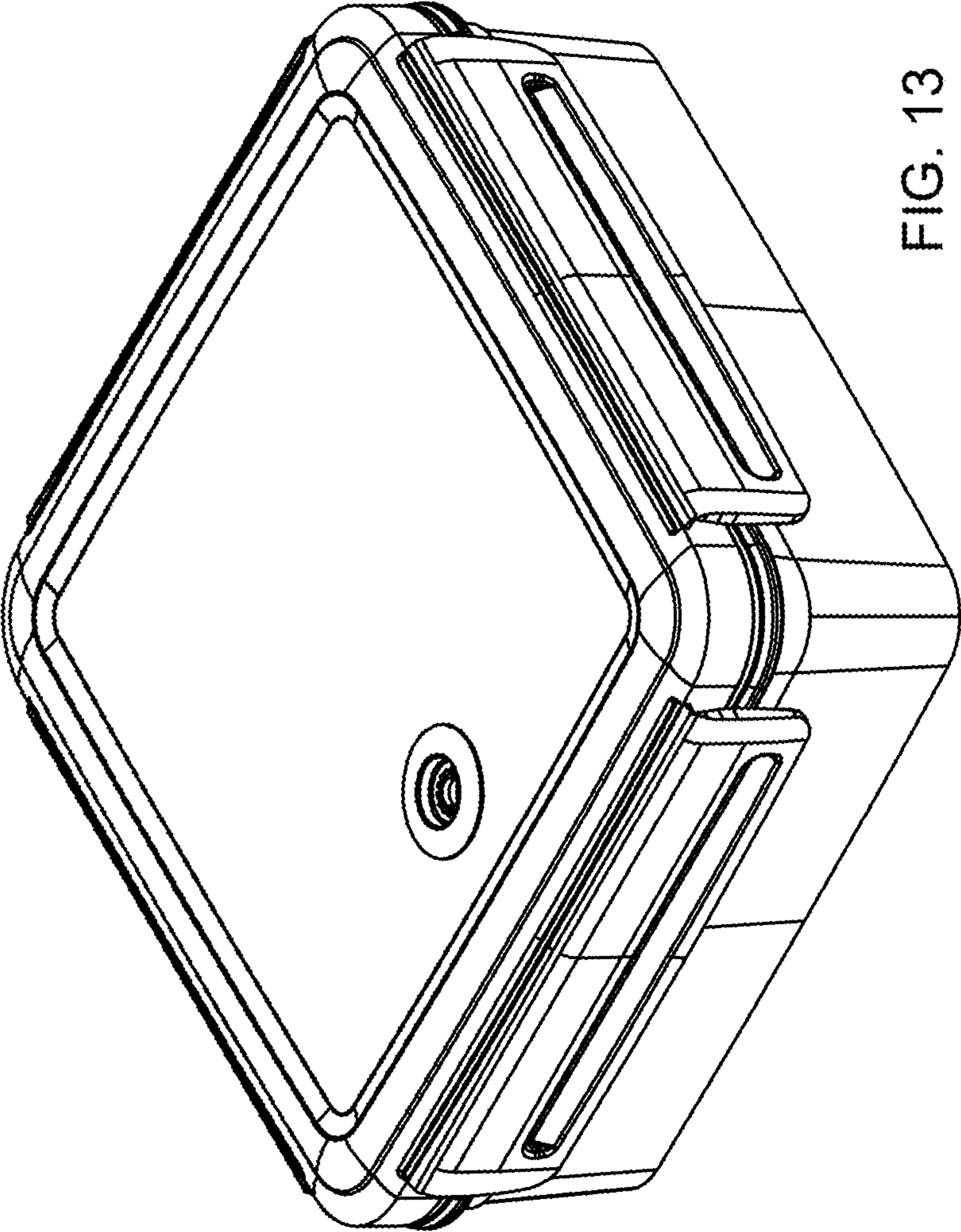


FIG. 13

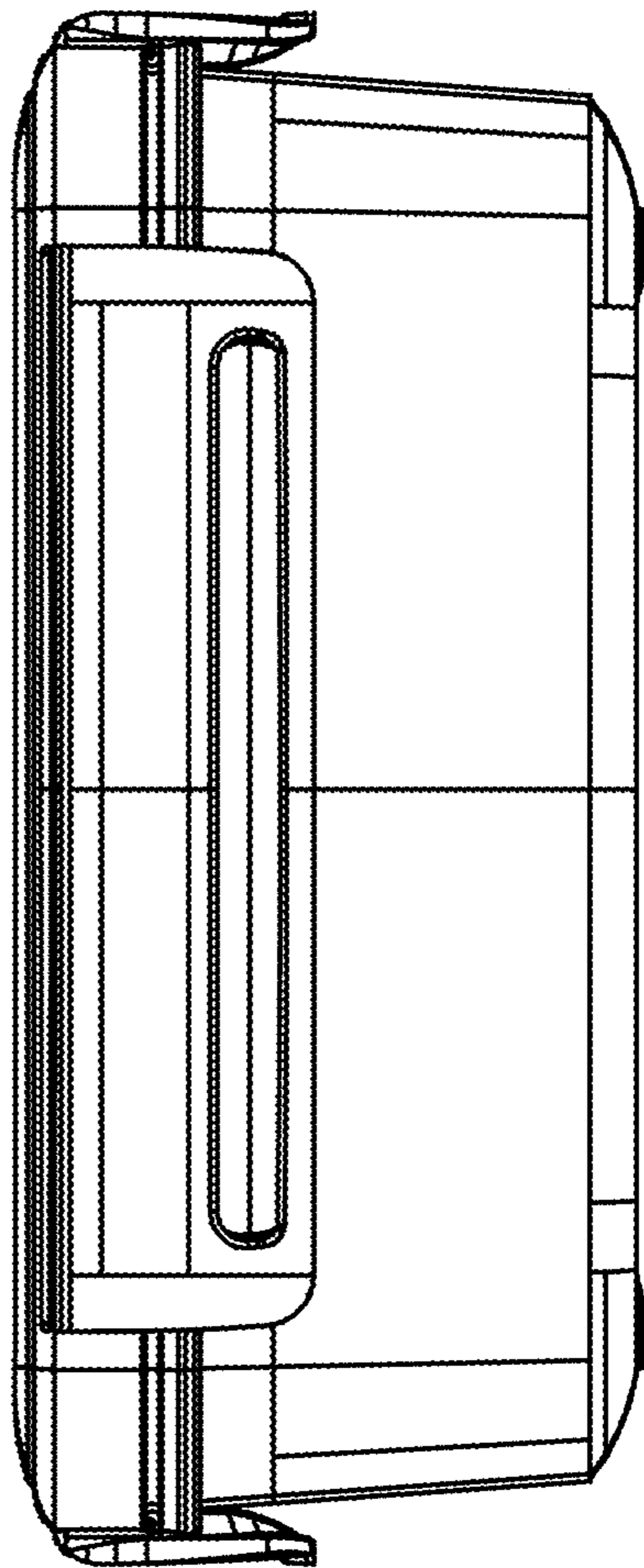


FIG. 14



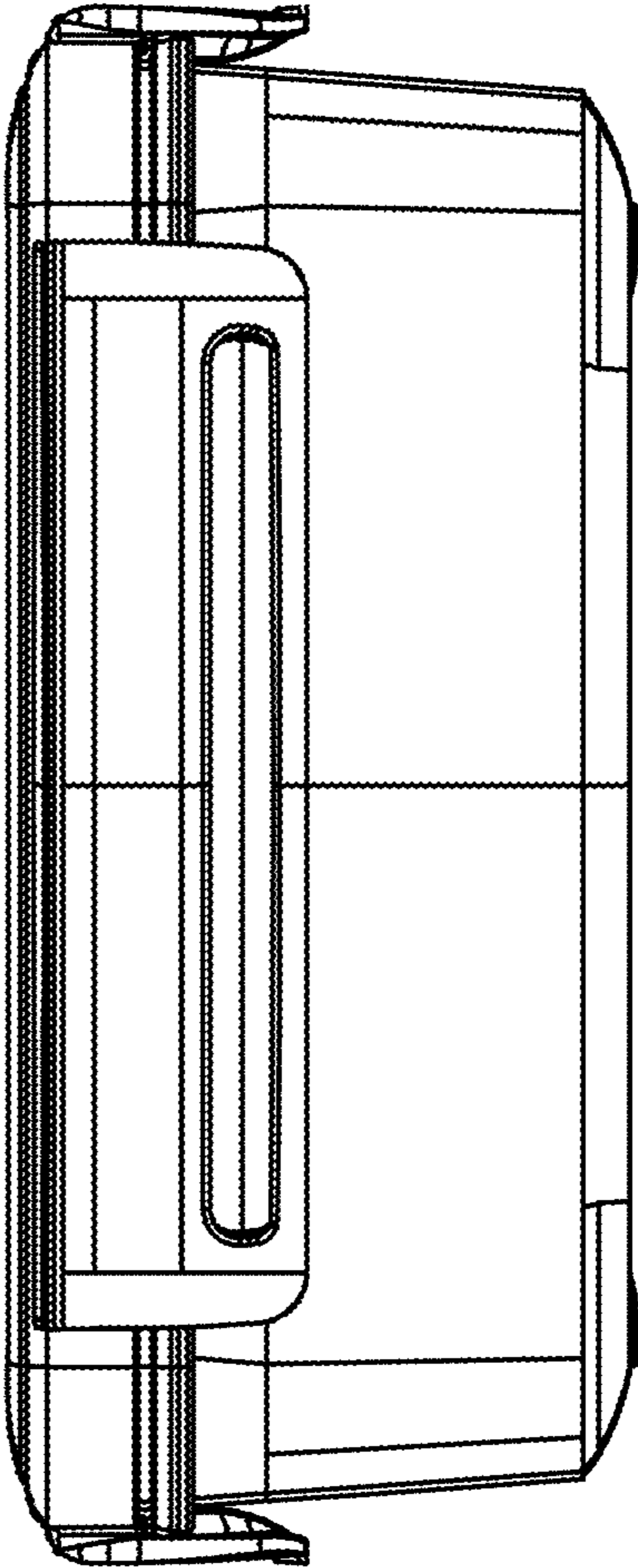


FIG. 15

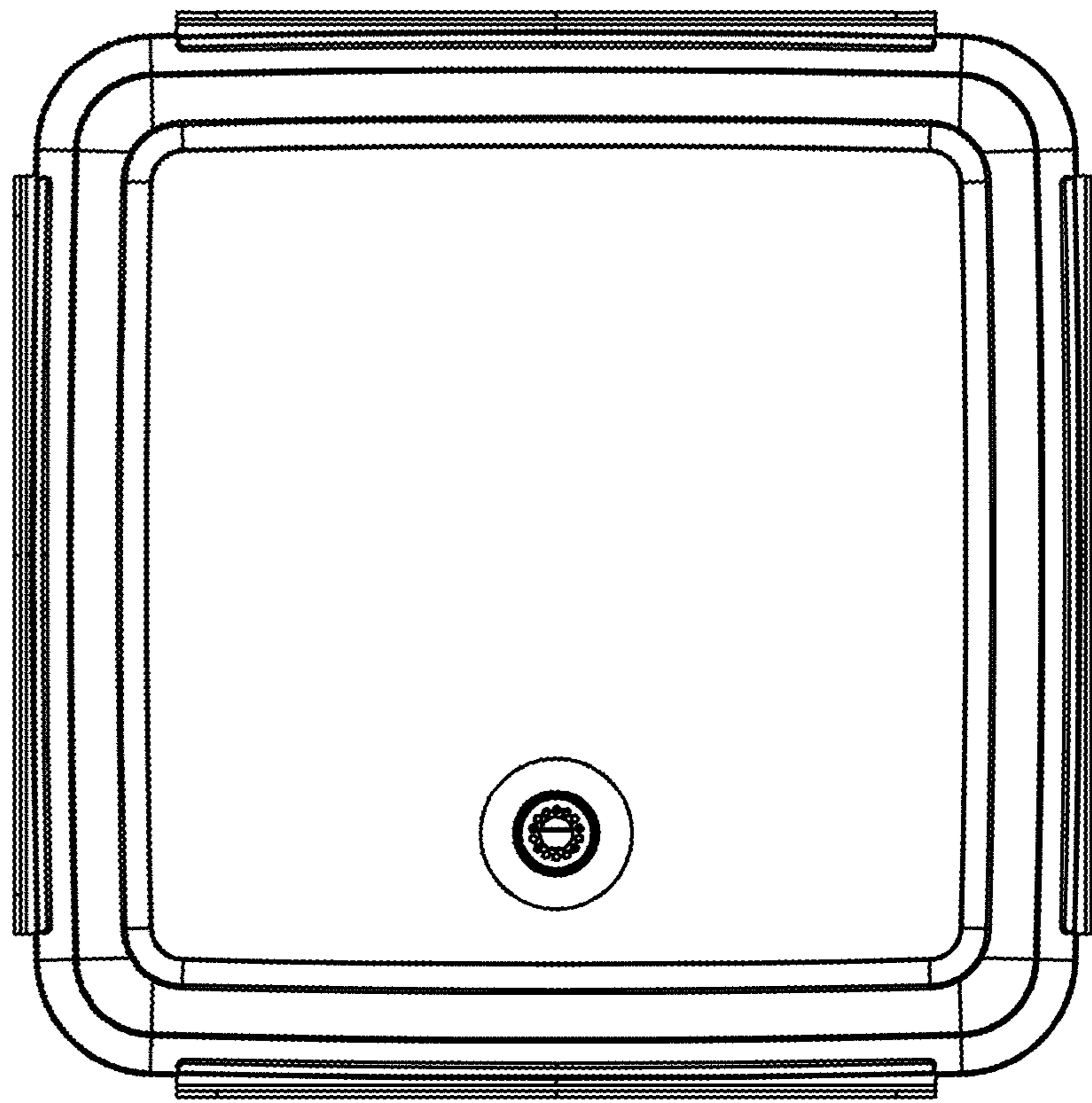


FIG. 16

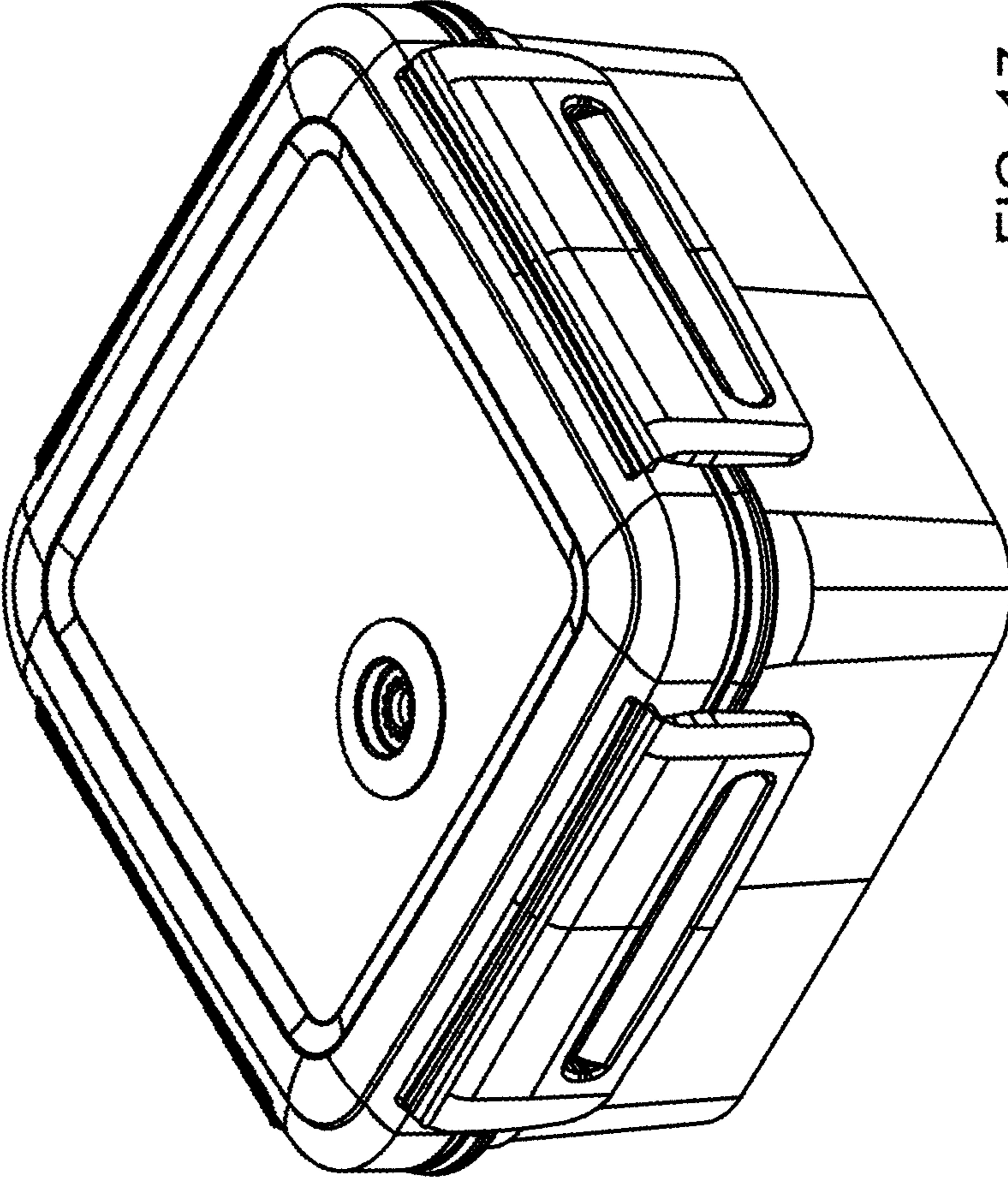


FIG. 17

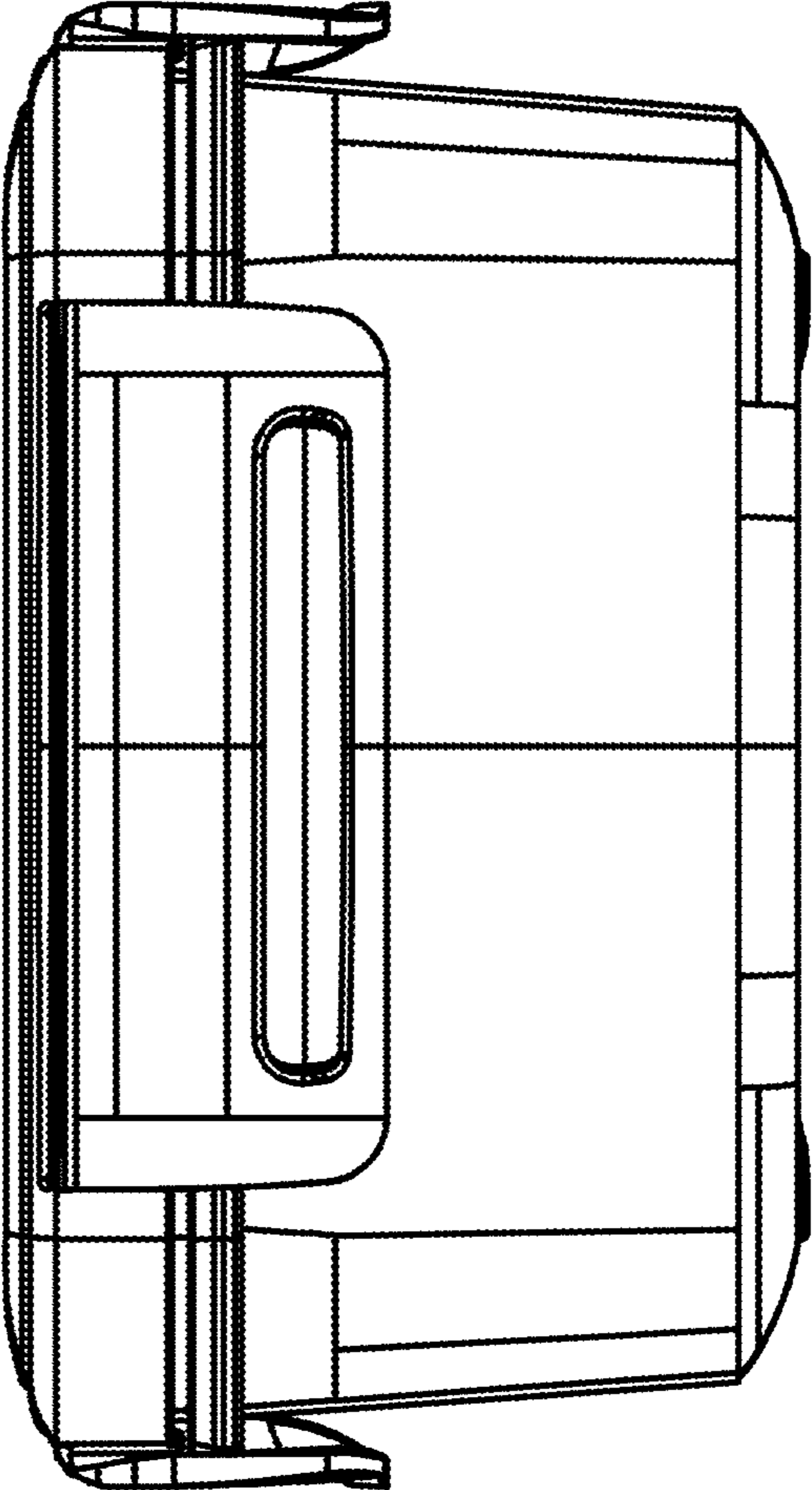


FIG. 18

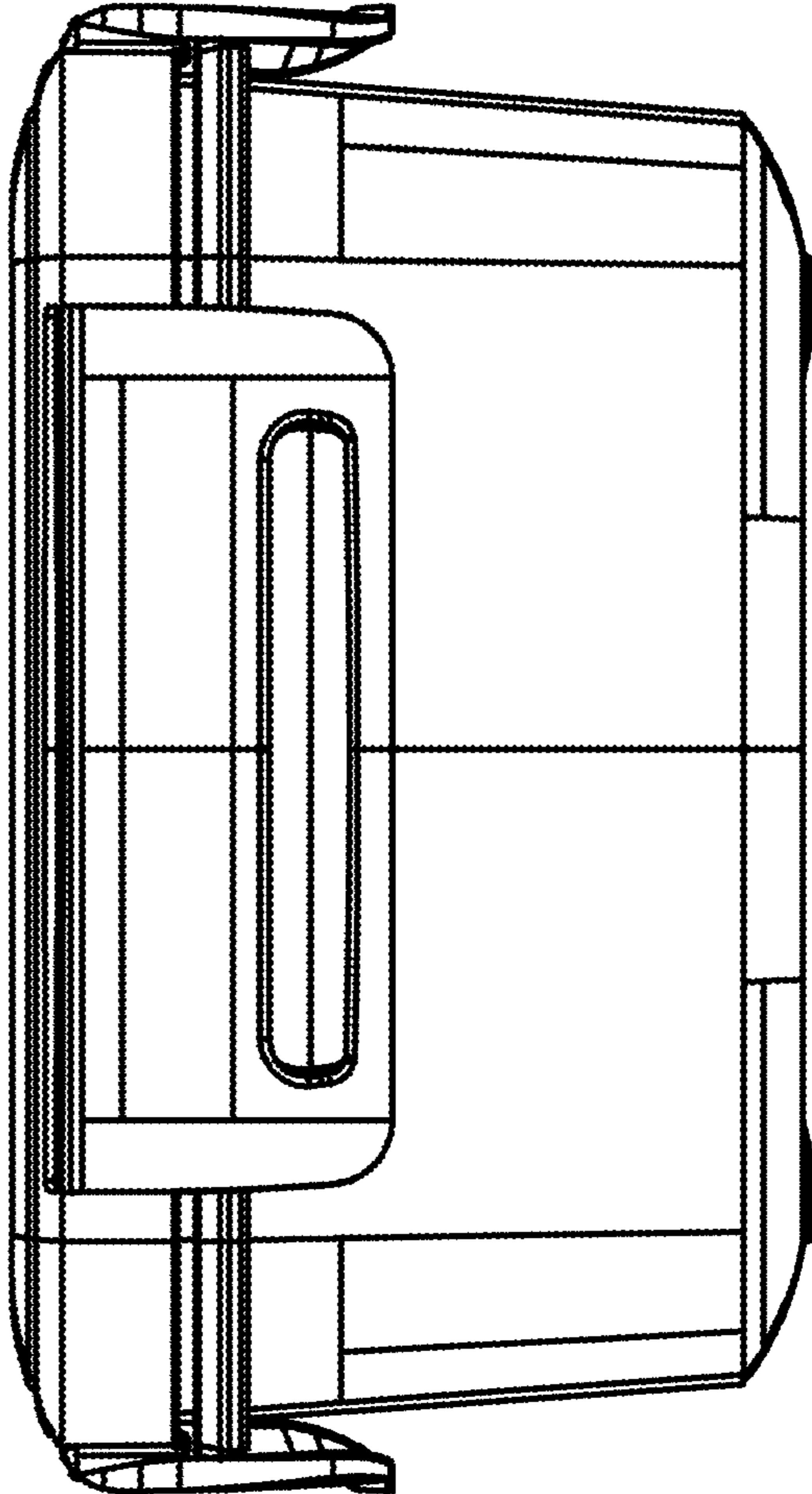


FIG. 19

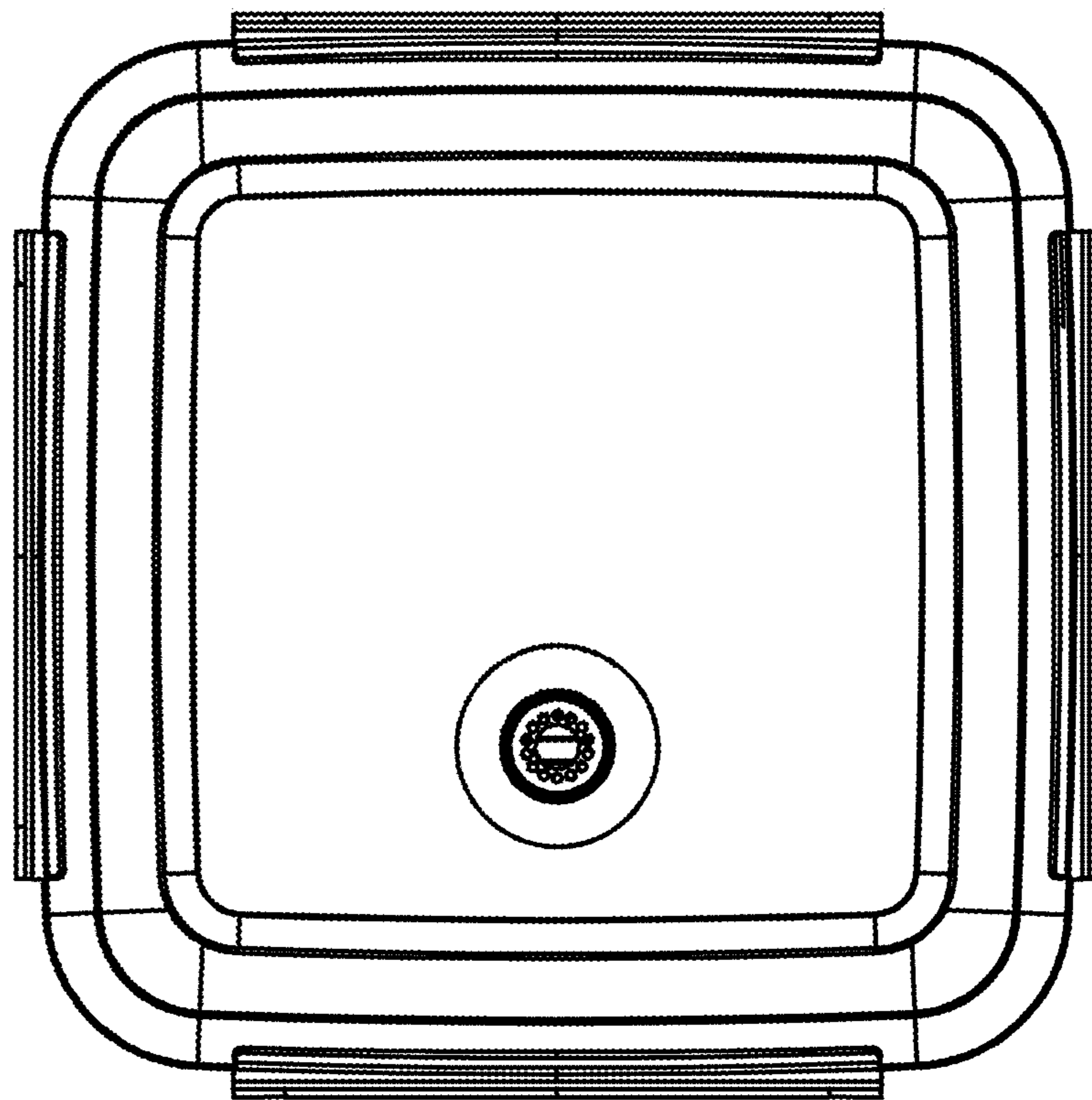


FIG. 20

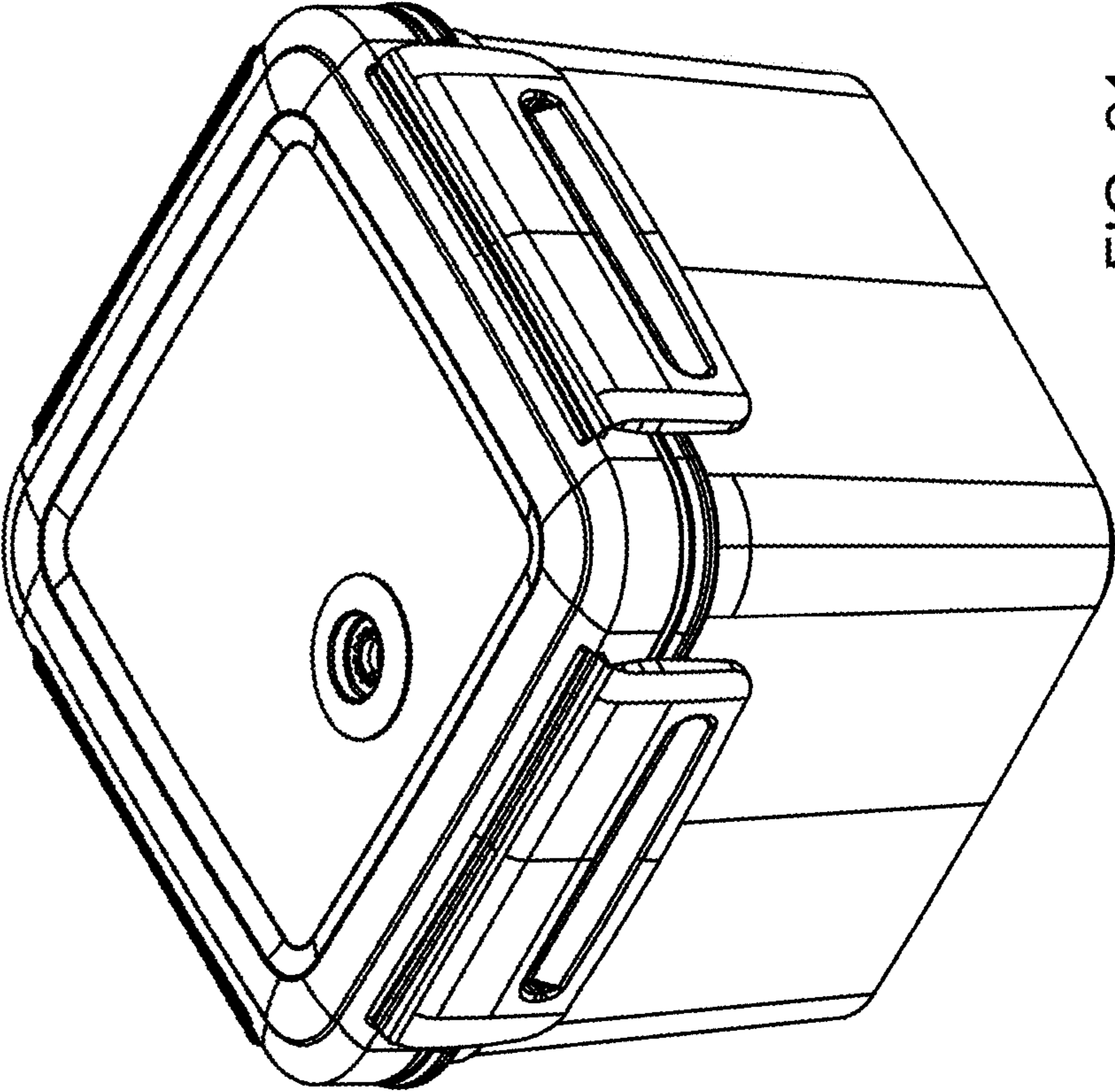


FIG. 21

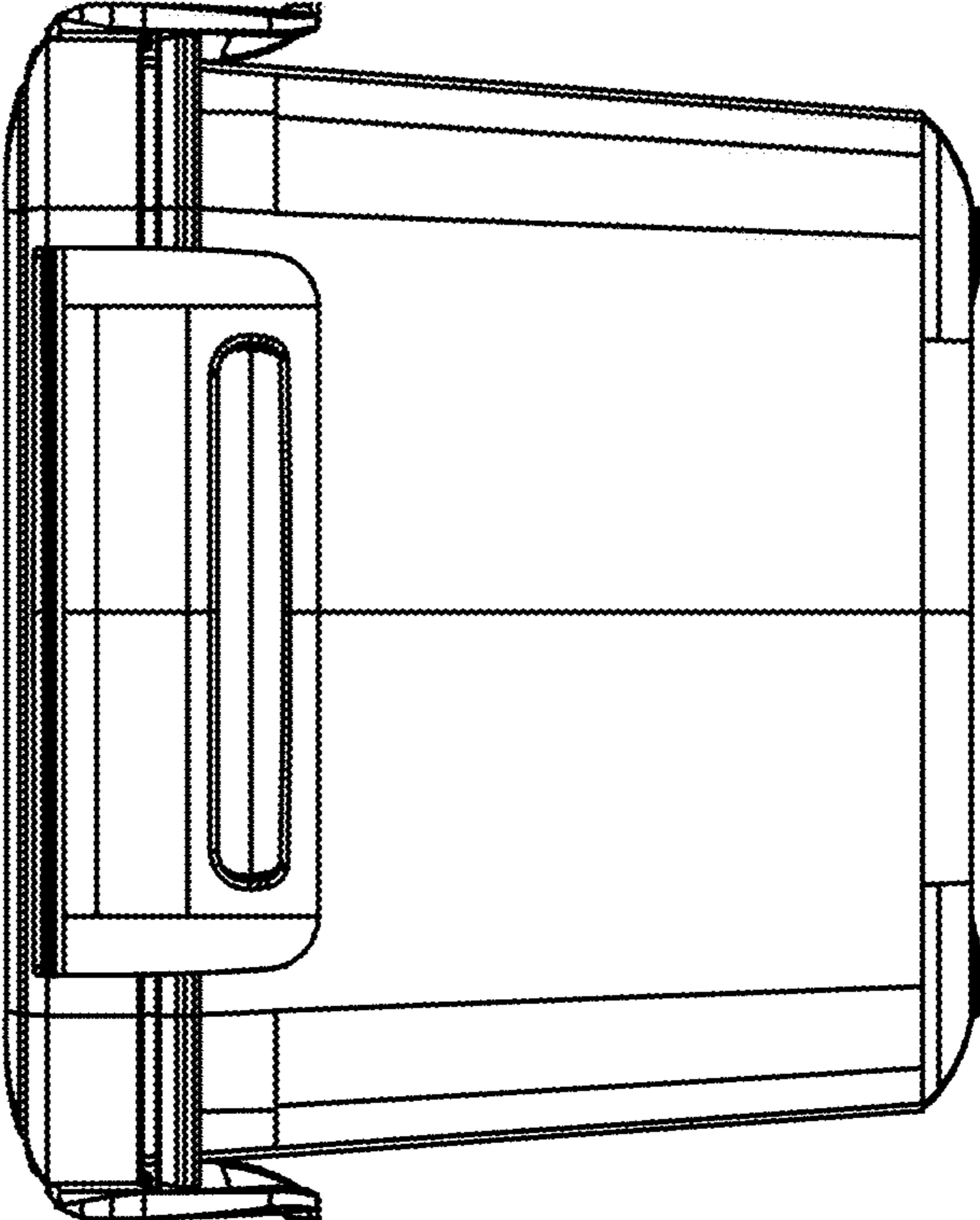


FIG. 22



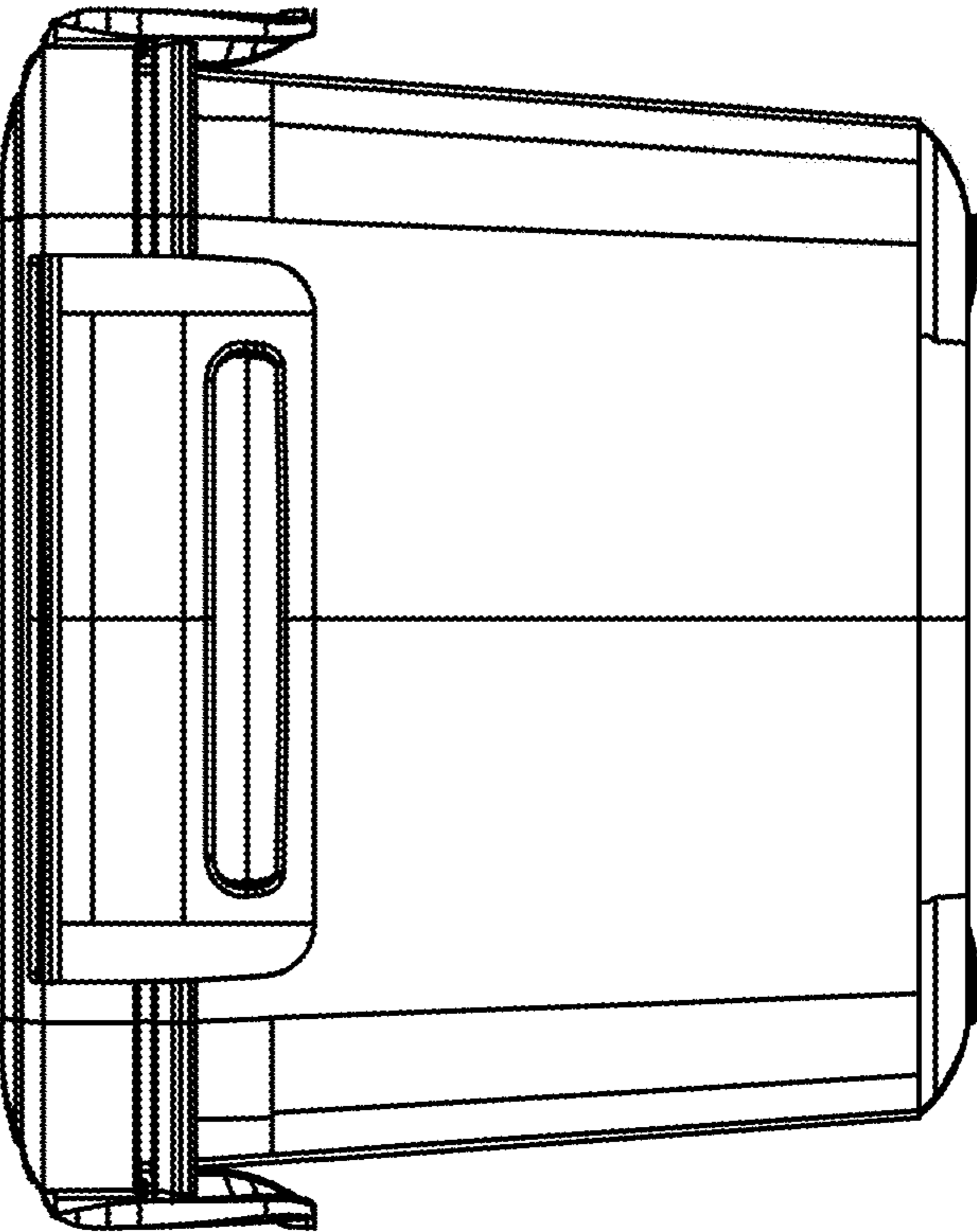


FIG. 23

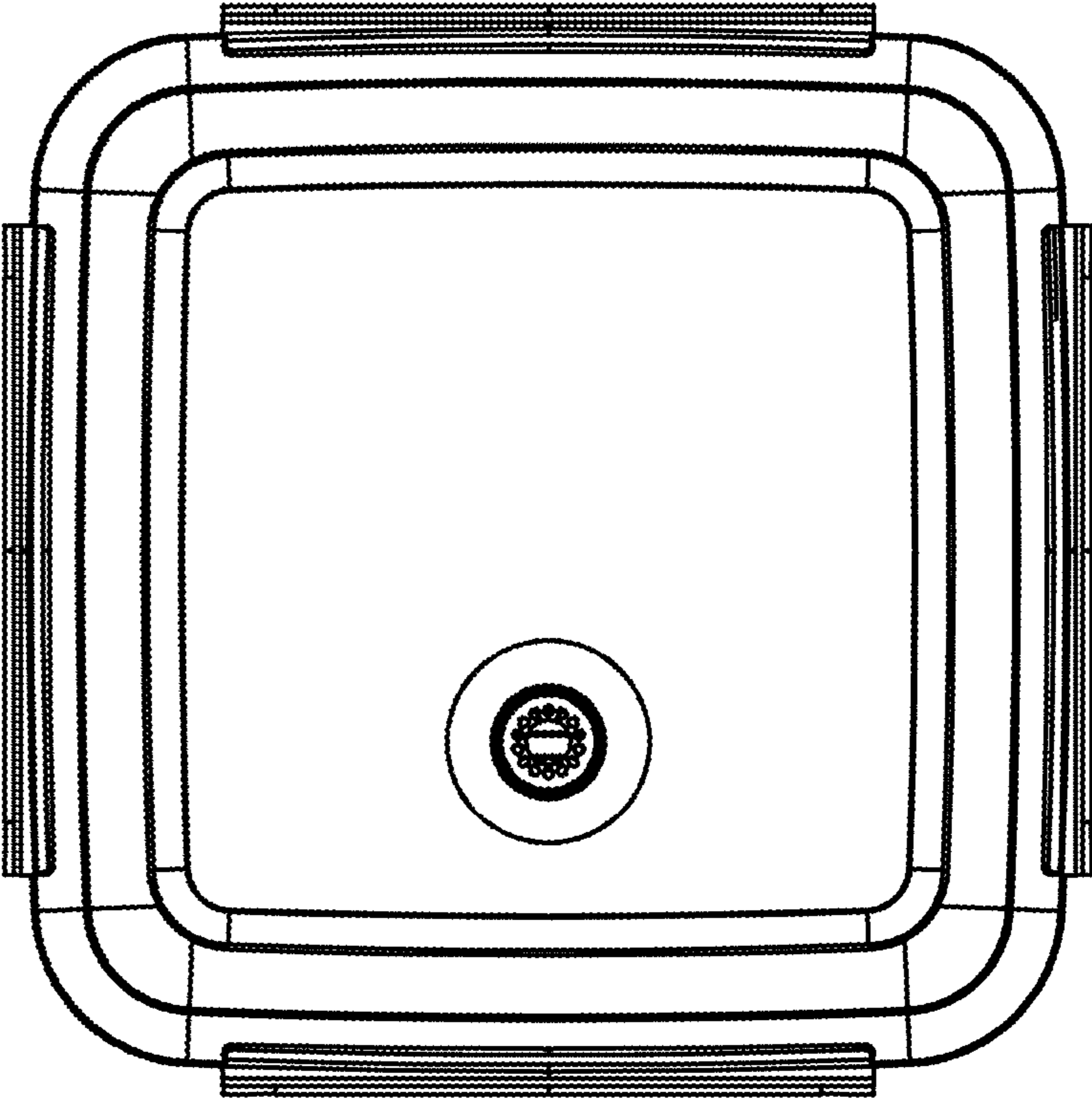


FIG. 24

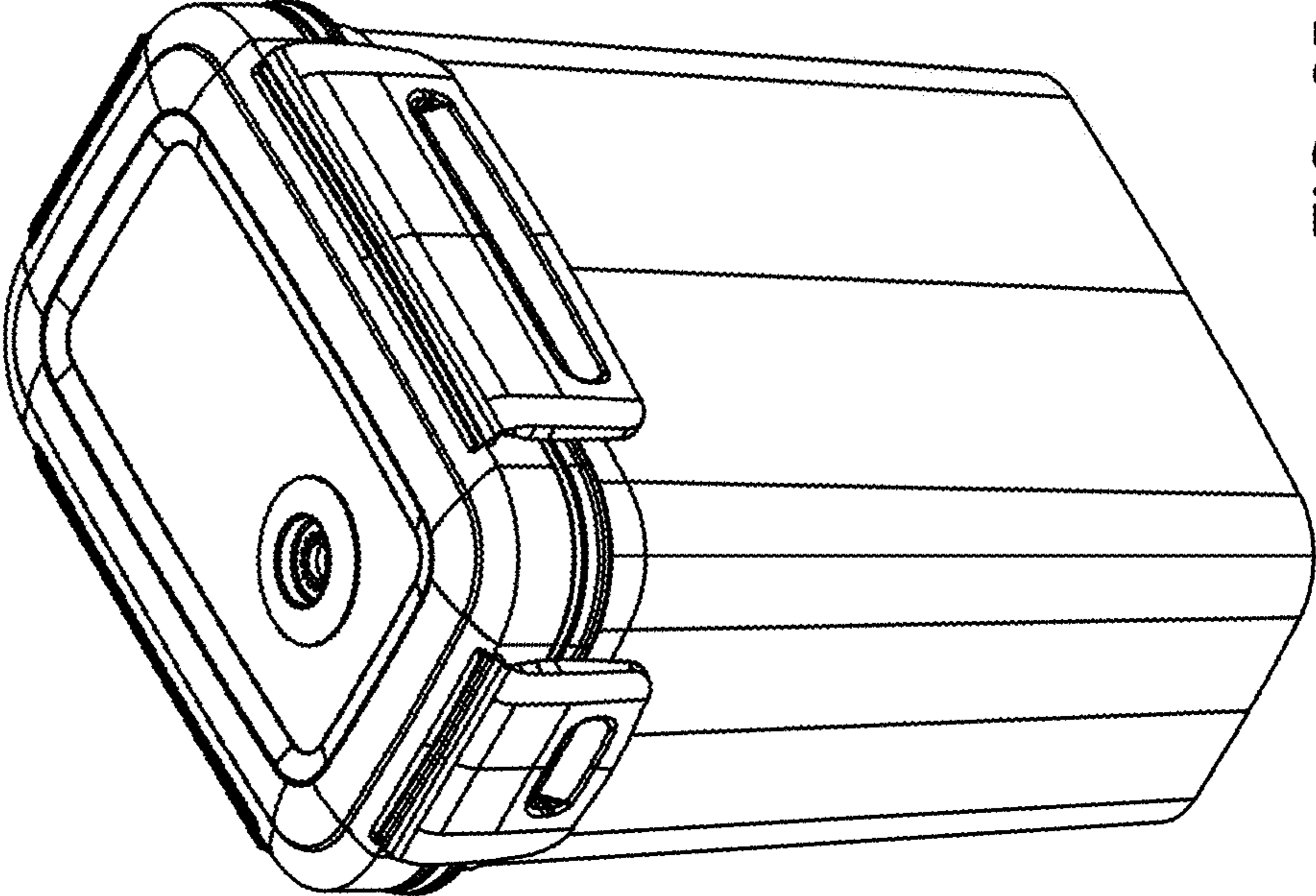


FIG. 25

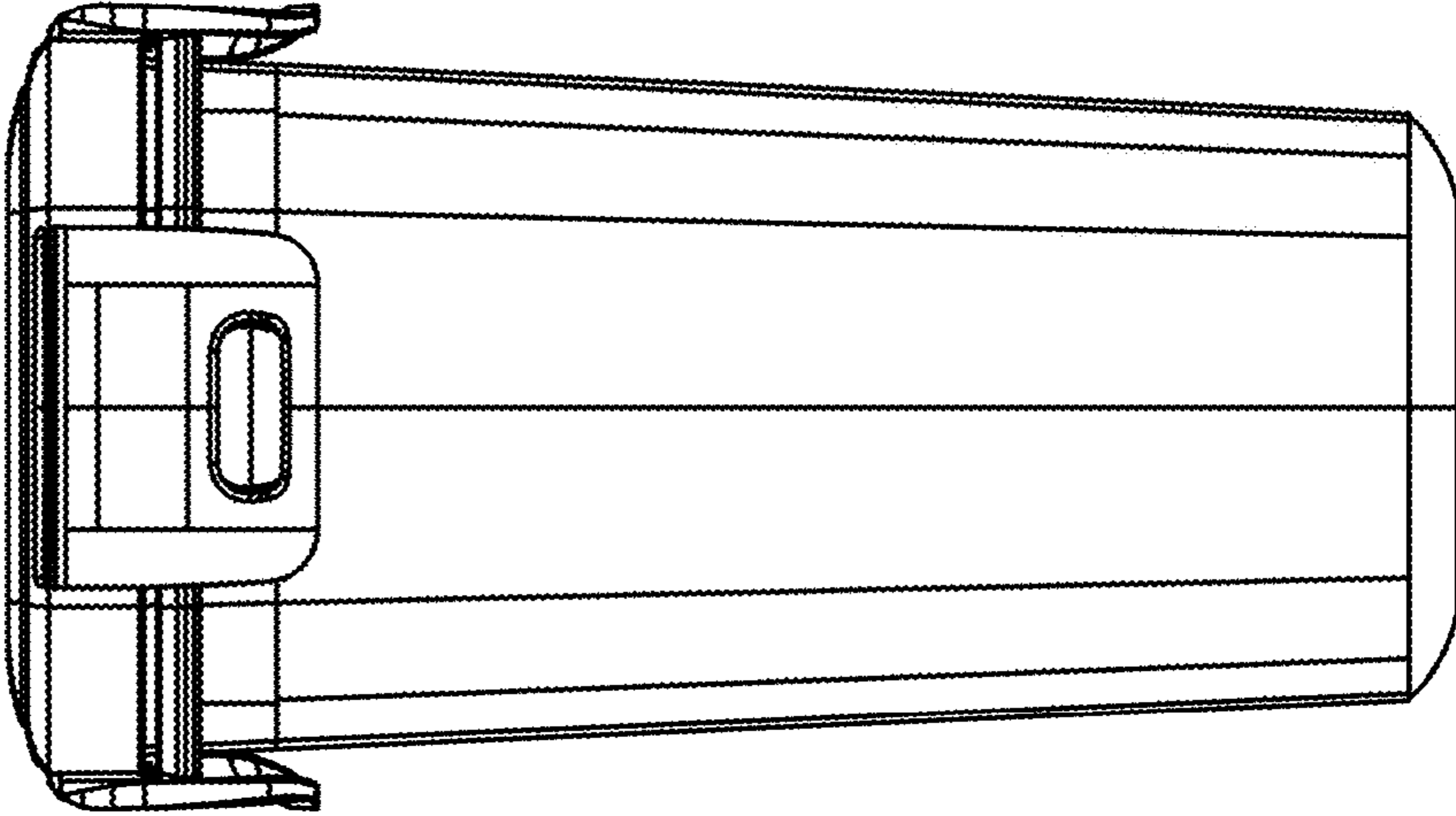
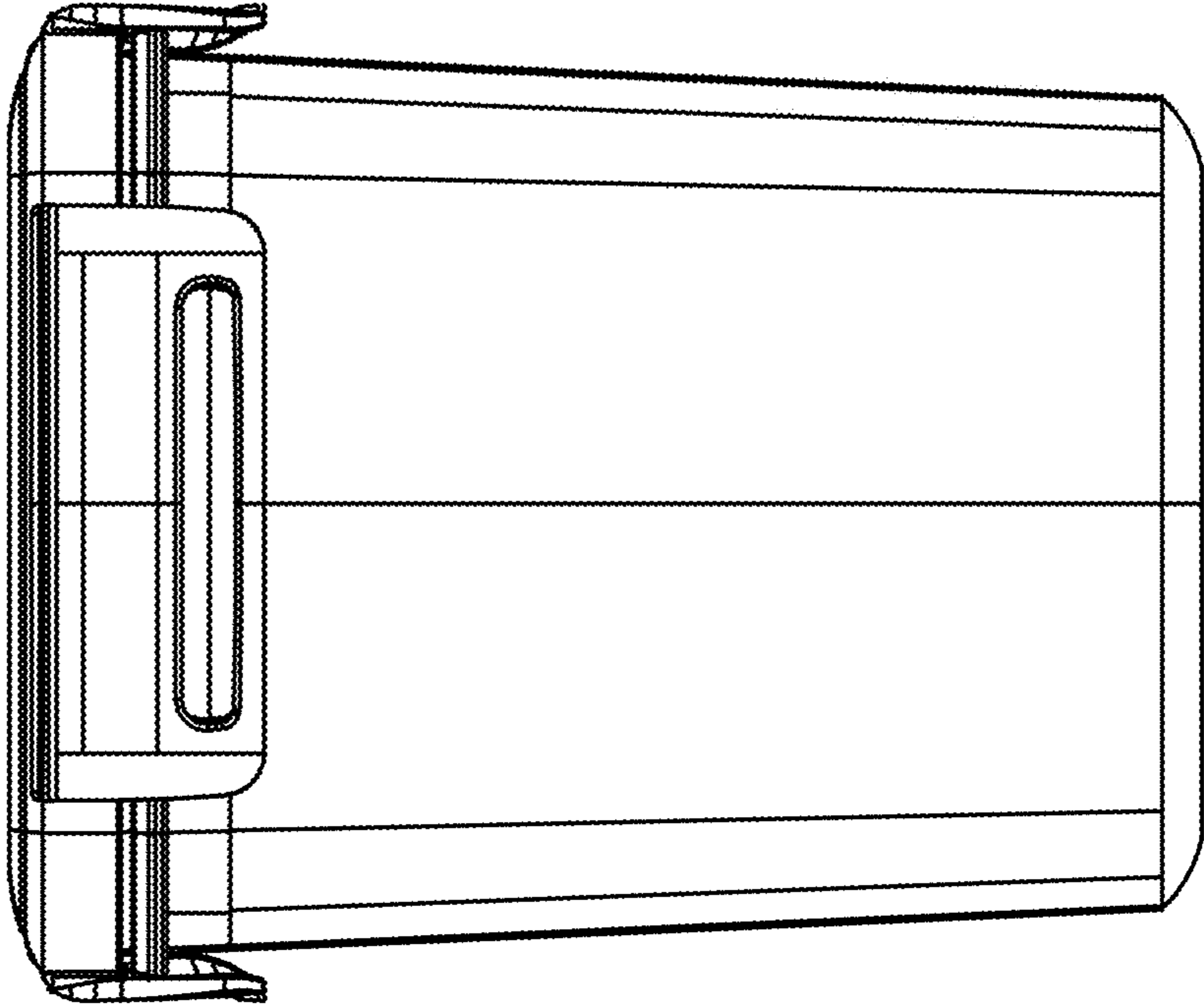


FIG. 26

FIG. 27



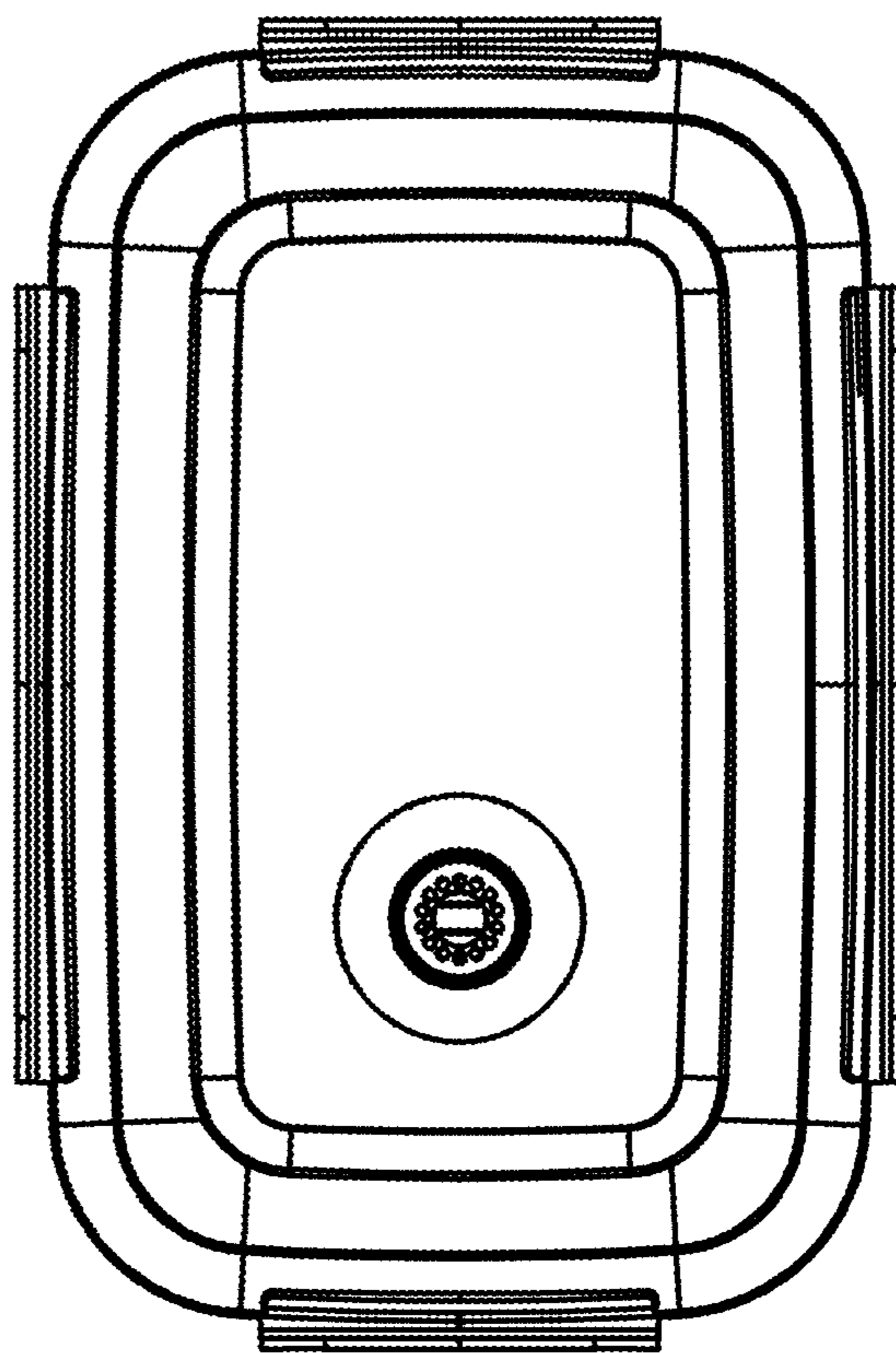


FIG. 28

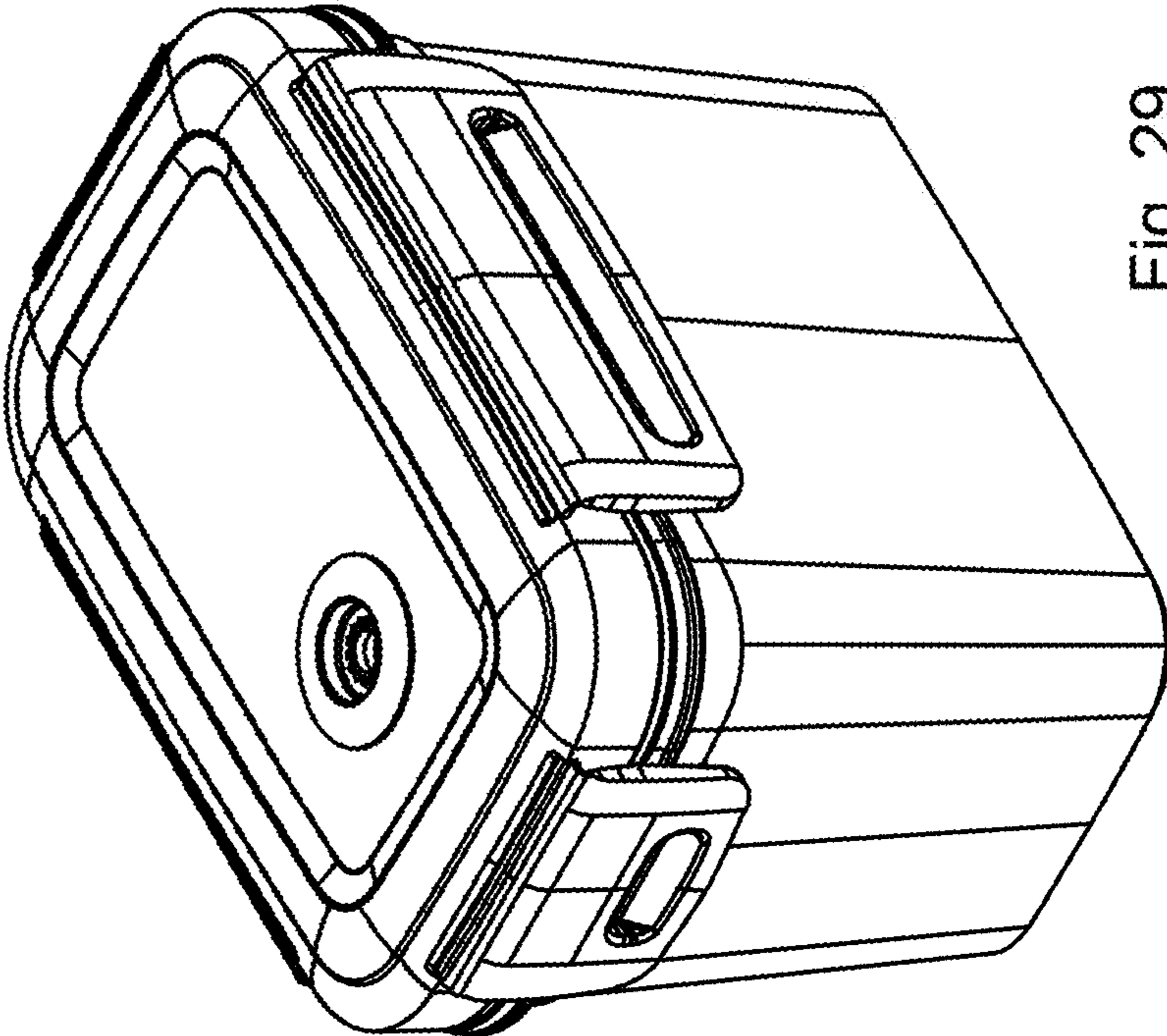


Fig. 29

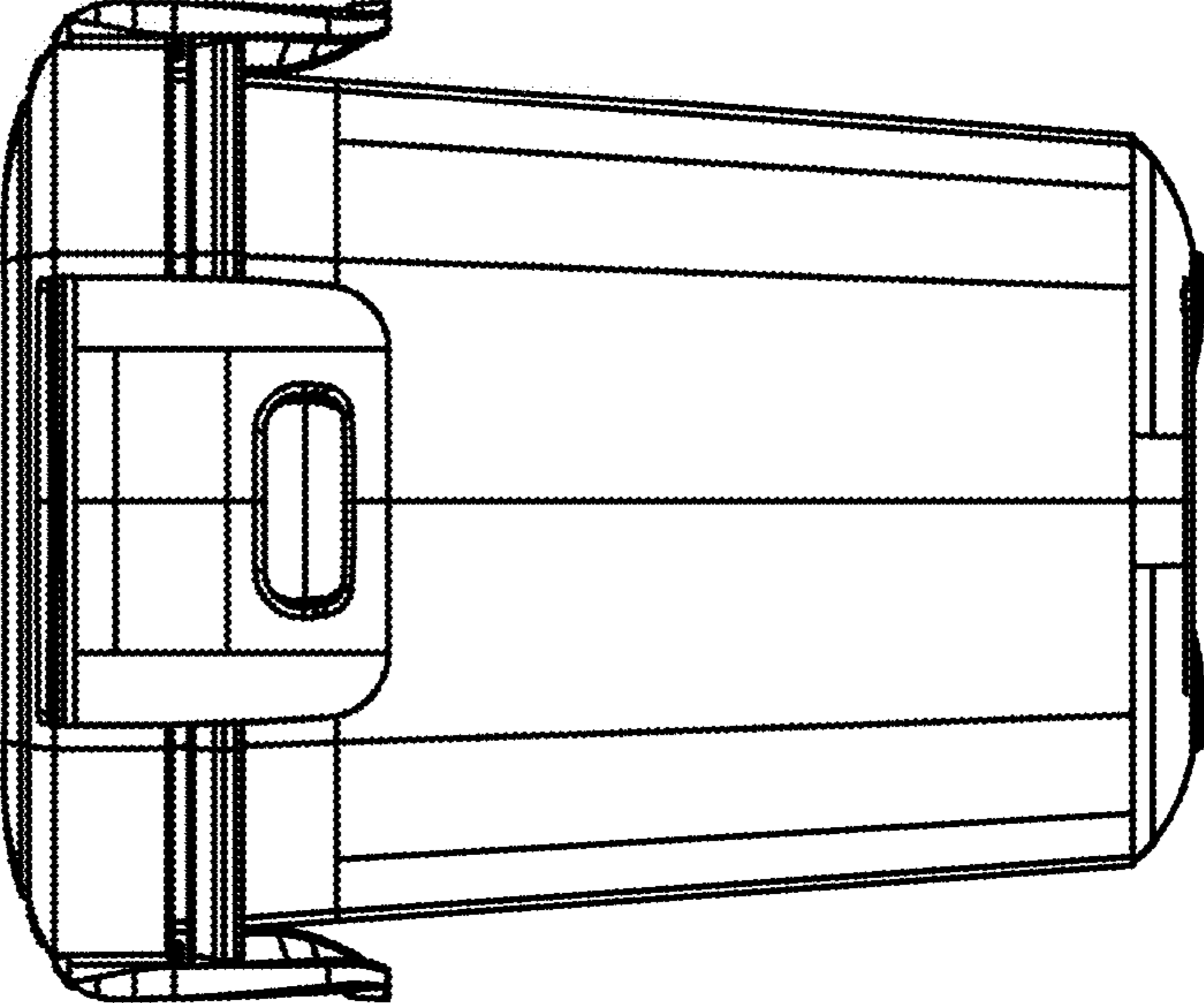


FIG. 30



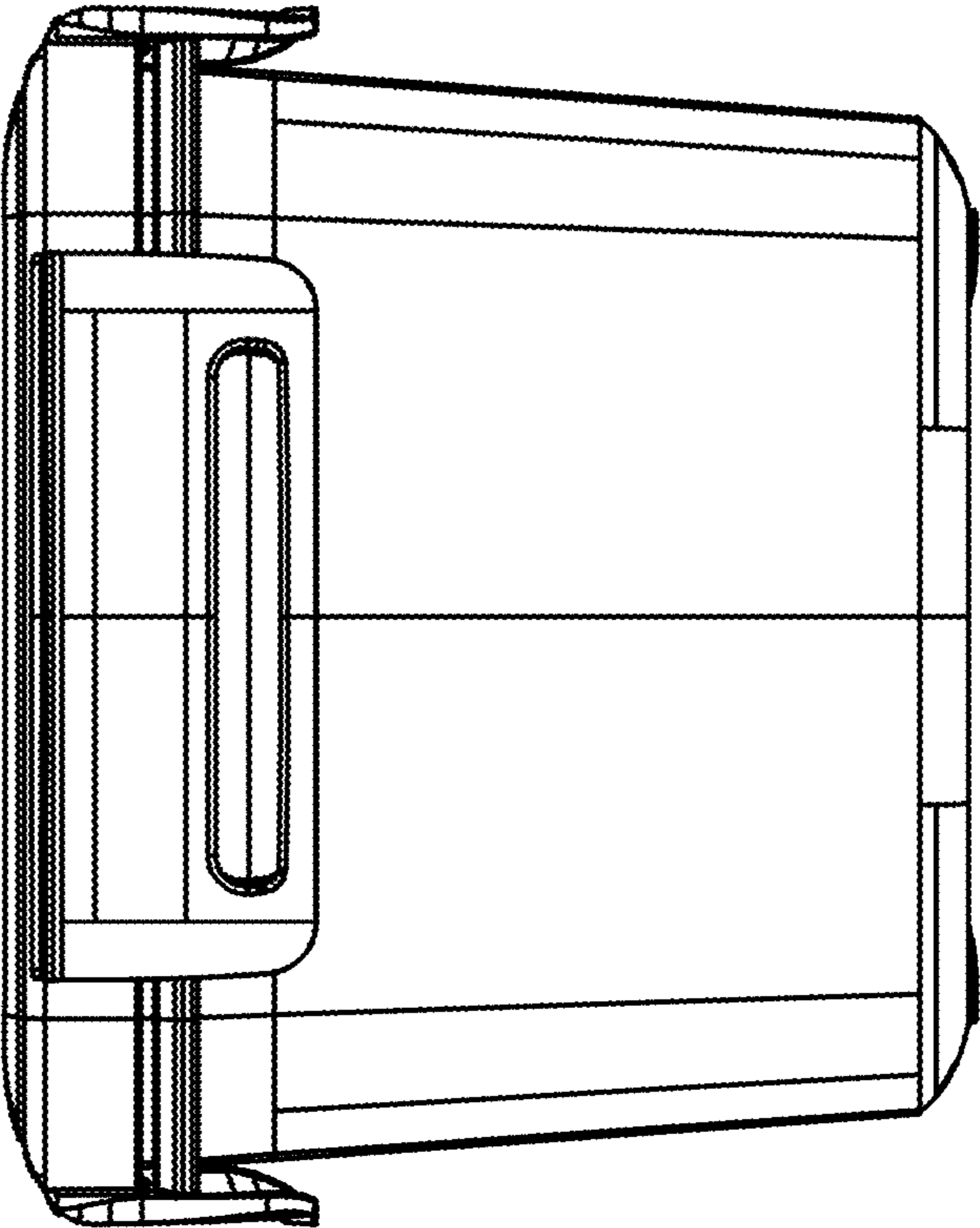


FIG. 31

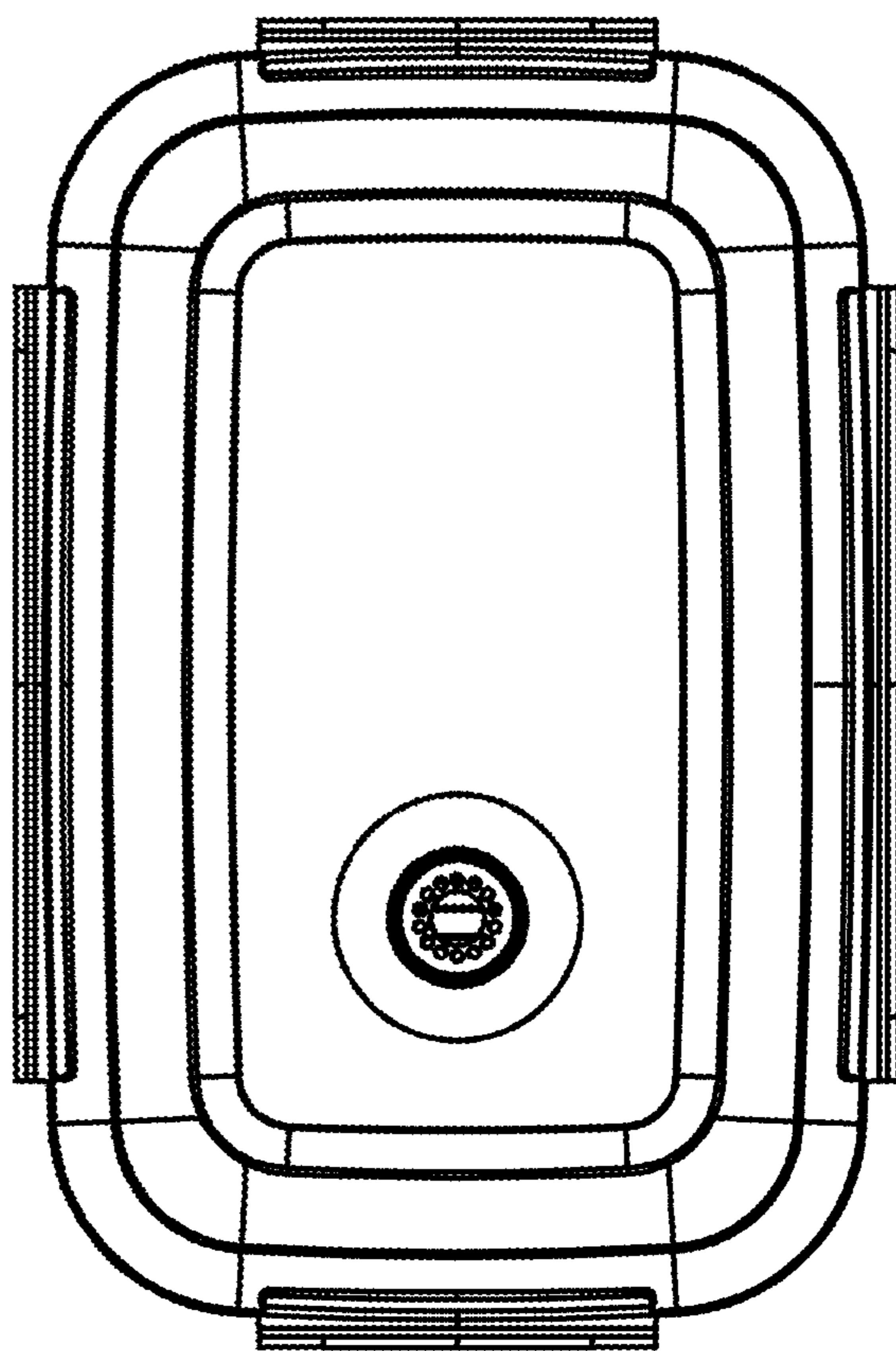


FIG. 32

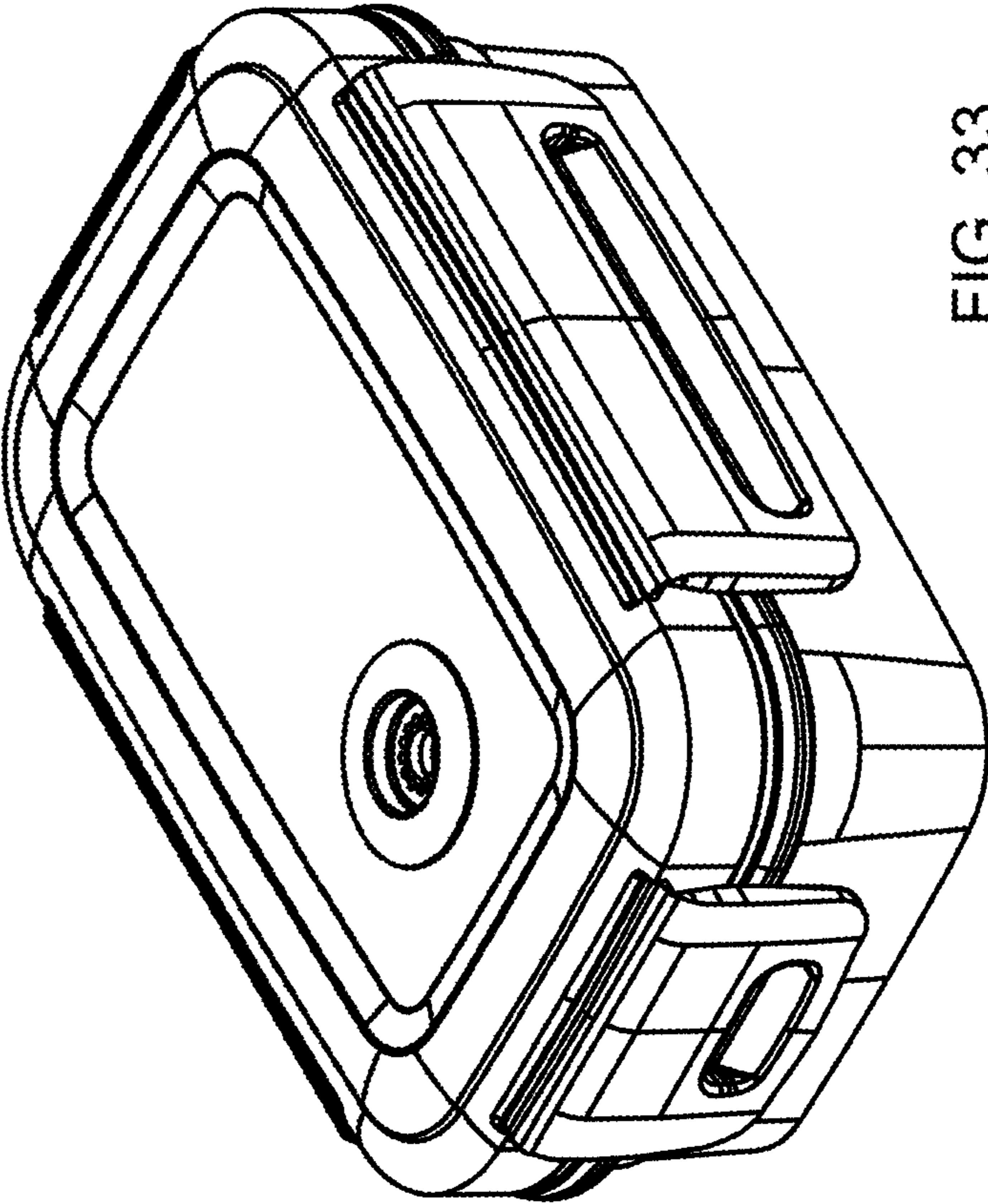


FIG. 33

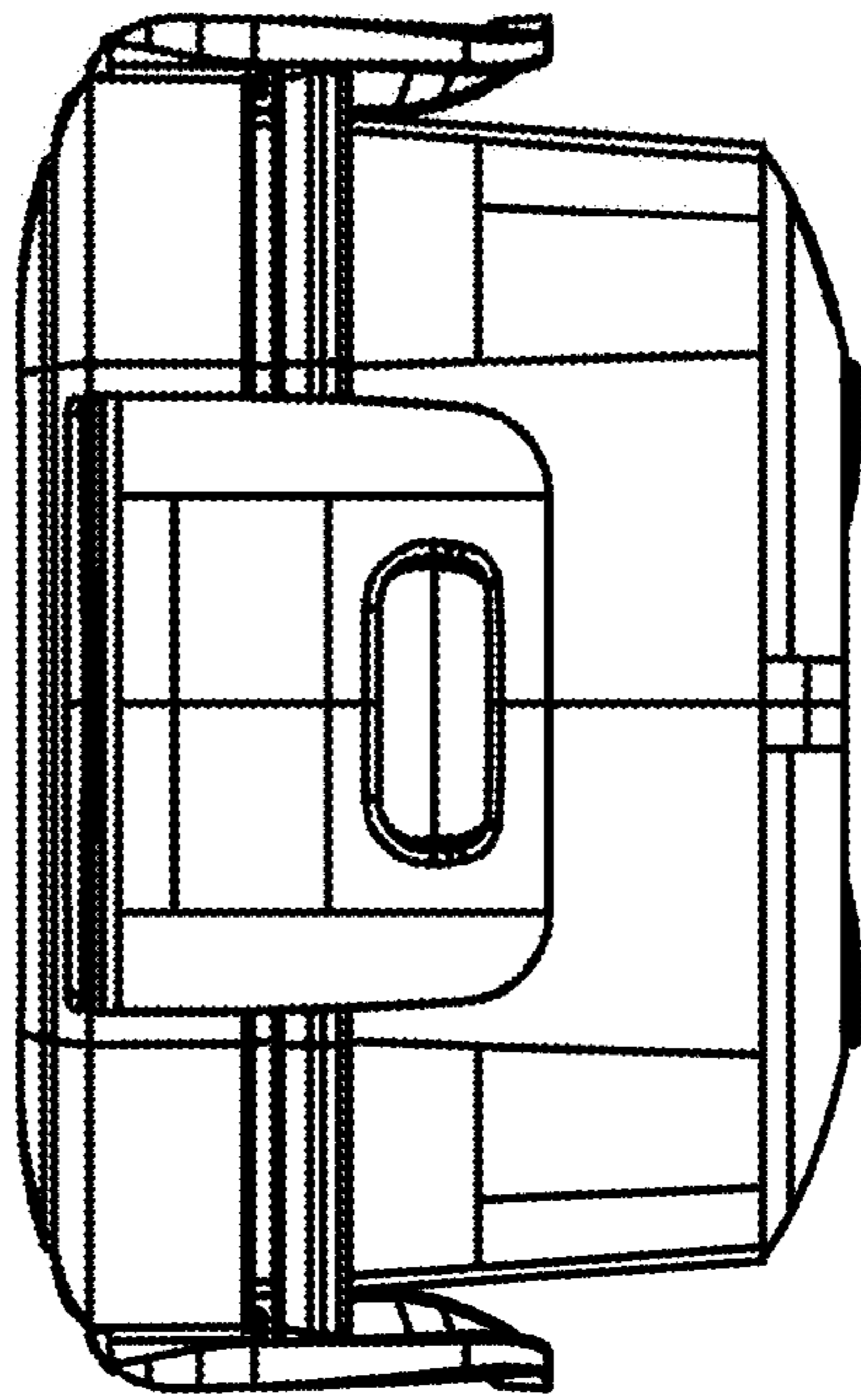


FIG. 34

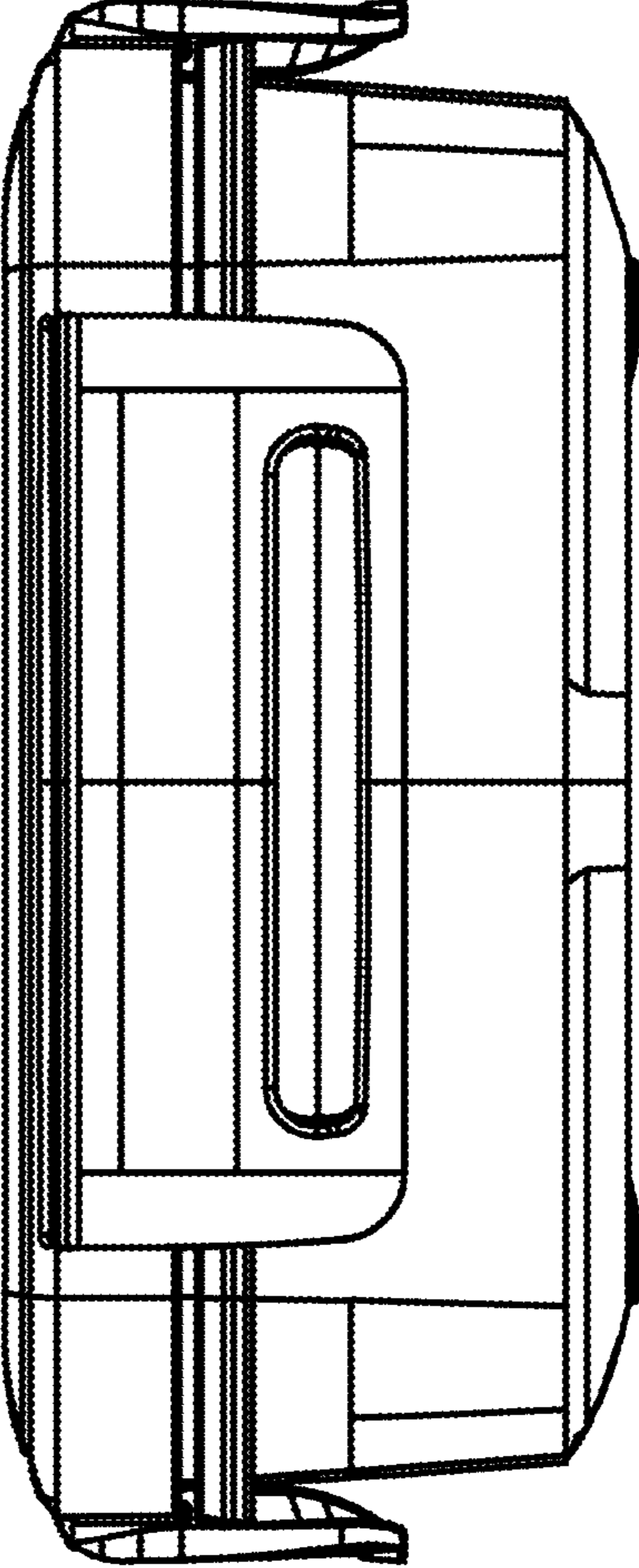


FIG. 35

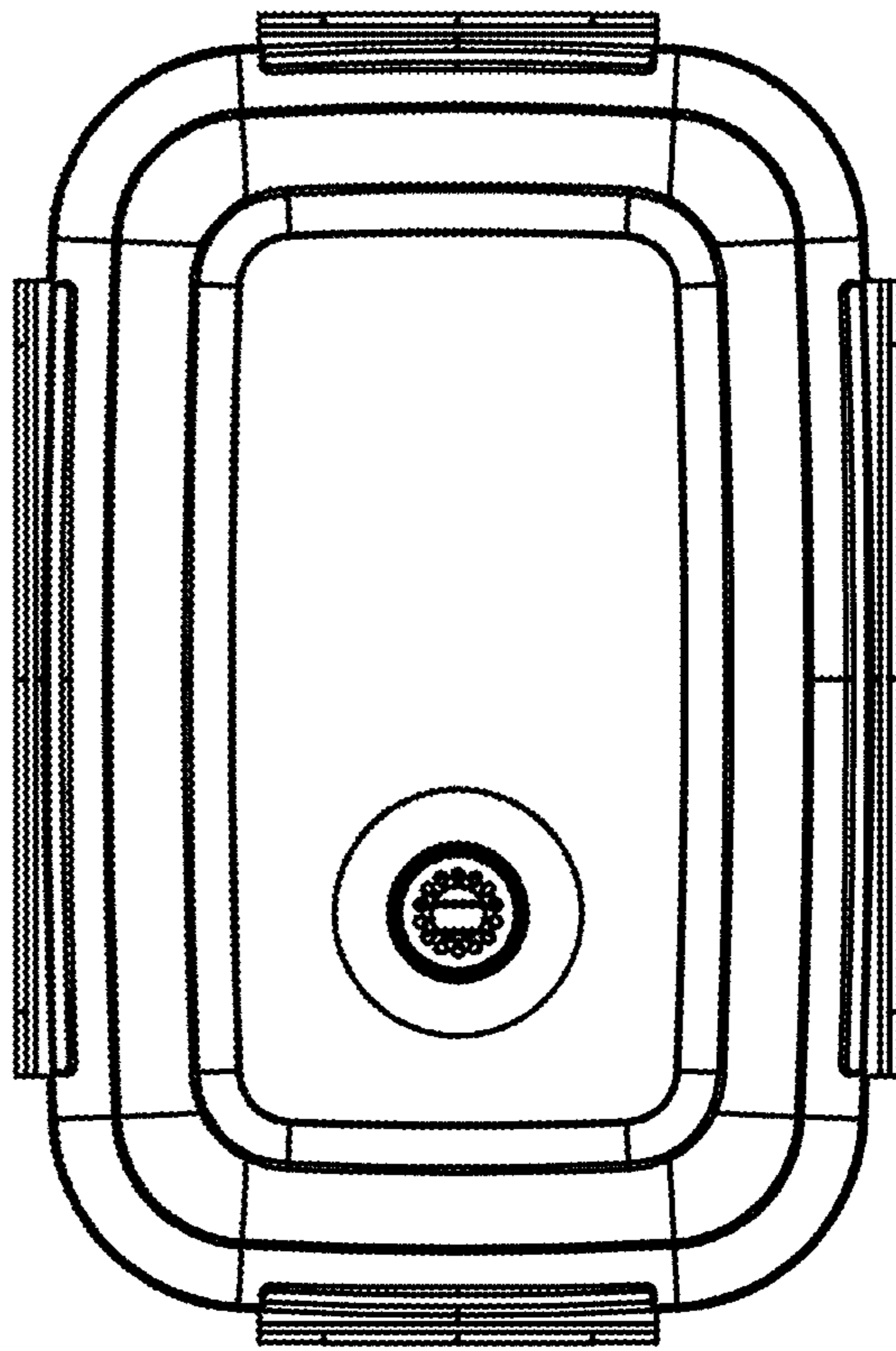


FIG. 36