

US00D699081S

(12) **United States Design Patent**
Dagan et al.

(10) **Patent No.:** **US D699,081 S**
(45) **Date of Patent:** **** Feb. 11, 2014**

(54) **CUPCAKE CARRIER**

(75) Inventors: **Roni Dagan**, Netanya (IL); **Noa Moial**, Netanya (IL); **Michael Librus**, Netanya (IL)

(73) Assignee: **RL Industry Company Ltd.**, Ningbo (CN)

(**) Term: **14 Years**

(21) Appl. No.: **29/409,007**

(22) Filed: **Dec. 20, 2011**

(51) **LOC (10) Cl.** **07-07**

(52) **U.S. Cl.**
USPC **D7/610**

(58) **Field of Classification Search**
USPC D7/500, 550.1, 554.3, 554.4, 586, 601, D7/602, 610, 611, 701, 703, 629; 206/515, 206/519, 557, 558, 559, 560, 561, 562, 563, 206/564, 565, 566, 567, 499, 508, 509; 229/117.09, 117.11, 117.12, 117.13, 229/117.4

See application file for complete search history.

(56) **References Cited**

U.S. PATENT DOCUMENTS

D112,347 S *	11/1938	Nesbitt	D7/610
2,965,430 A *	12/1960	Garner	312/284
D269,935 S *	8/1983	Powers	D7/357
4,694,961 A *	9/1987	Menendez	206/508
D348,378 S *	7/1994	Crane	D7/610
D365,502 S *	12/1995	Runge	D7/610
D374,820 S *	10/1996	Knoss et al.	D7/610
D396,999 S *	8/1998	Boothe	D7/610
D400,055 S *	10/1998	McFadzean	D7/610
5,967,323 A *	10/1999	Siragusa	206/499
6,003,671 A *	12/1999	McDonough et al.	206/493
D422,456 S *	4/2000	Krueger	D7/610
6,146,673 A *	11/2000	Ferguson	426/115

6,153,237 A *	11/2000	Ferguson	426/115
D461,677 S *	8/2002	Bradley	D7/357
D469,653 S *	2/2003	Cooper et al.	D7/357
D479,952 S *	9/2003	Zimmerman	D7/610
D484,005 S *	12/2003	Levien	D7/610
D507,154 S *	7/2005	Kim	D7/610
D515,363 S *	2/2006	Driggers et al.	D7/610
D522,813 S *	6/2006	Swinford et al.	D7/610
D529,345 S *	10/2006	Kim	D7/610
D553,902 S *	10/2007	Barber	D7/357
D572,539 S *	7/2008	Swinford et al.	D7/610
D601,860 S *	10/2009	Madagan	D7/610
D604,109 S *	11/2009	Madagan	D7/610
7,614,518 B2 *	11/2009	Barber	220/23.89
D609,979 S *	2/2010	Soibel et al.	D7/629
D638,255 S *	5/2011	Barber	D7/354
D655,567 S *	3/2012	Kirkland et al.	D7/357
D659,483 S *	5/2012	Dagan et al.	D7/610
D670,931 S *	11/2012	Tapper	D6/449

(Continued)

Primary Examiner — Elizabeth J Oswecki

(74) *Attorney, Agent, or Firm* — Mark M. Friedman

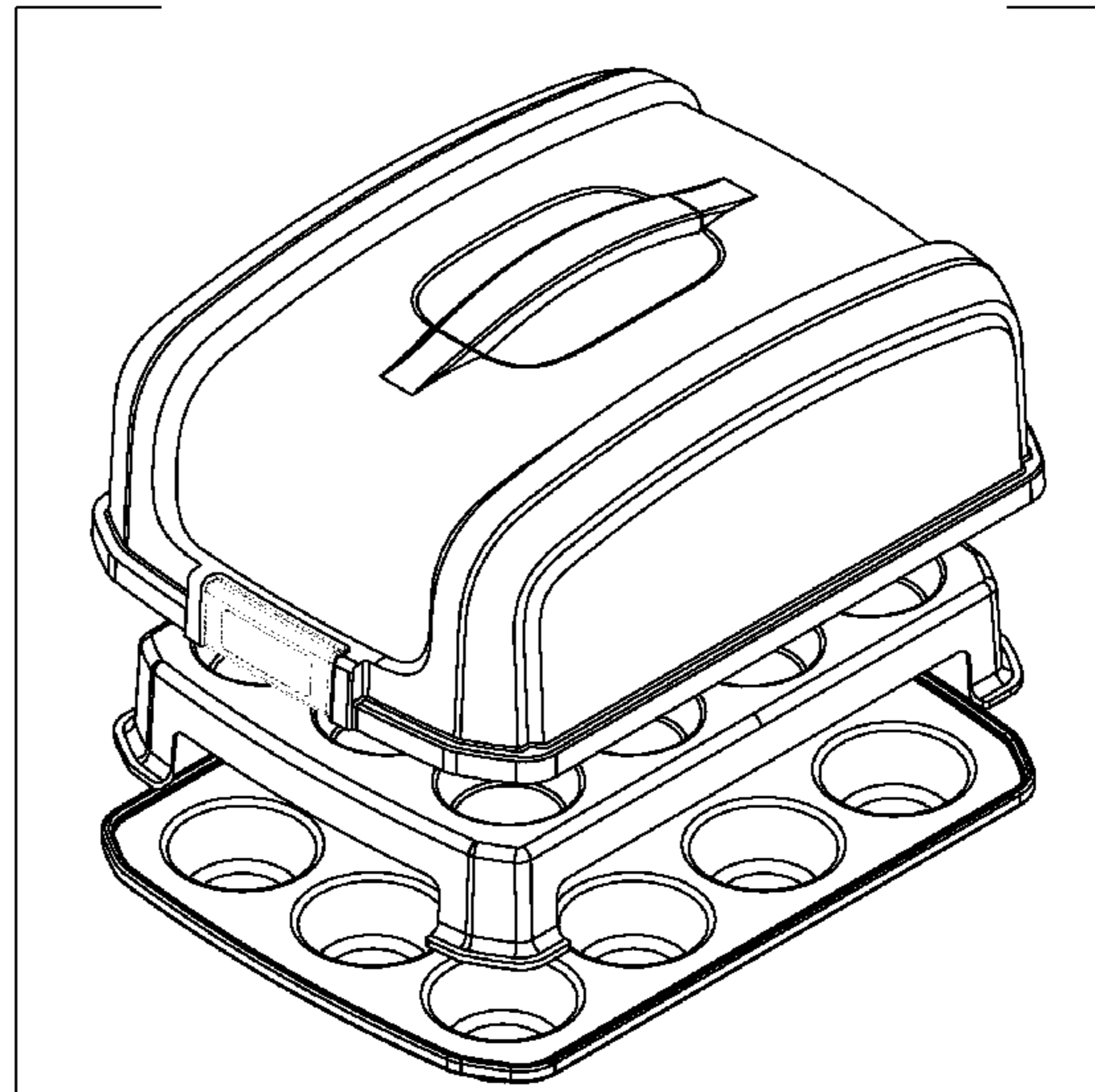
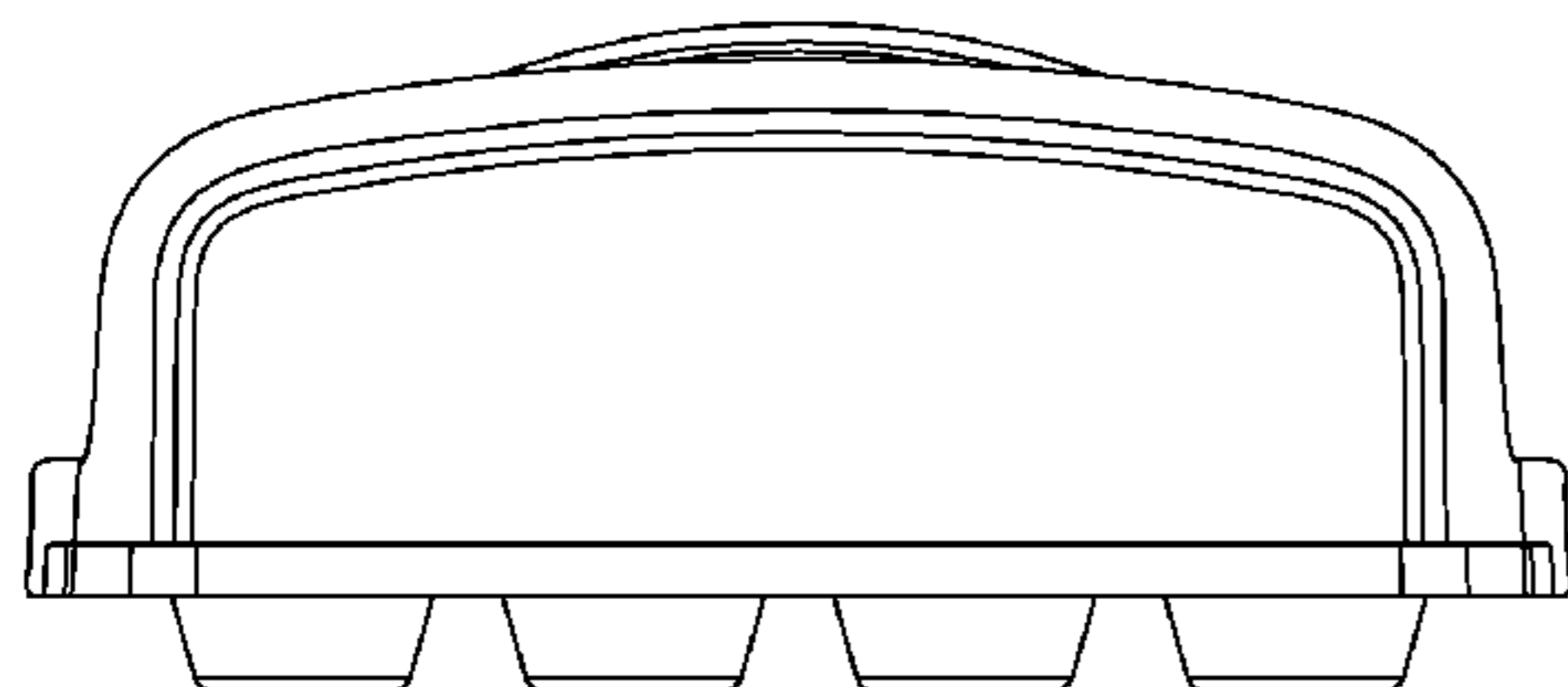
(57) **CLAIM**

The ornamental design for a cupcake carrier, as shown and described.

DESCRIPTION

FIG. 1 is a top view of a cupcake carrier showing our new design in a closed position;
FIG. 2 is a side view thereof;
FIG. 3 is a bottom view thereof;
FIG. 4 is a front view thereof;
FIG. 5 is an isometric view thereof;
FIG. 6 is an exploded front view thereof;
FIG. 7 is an exploded isometric view thereof; and,
FIG. 8 is an exploded side view thereof.
The broken lines in the drawing views of FIGS. 1, 4, 5, 6 and 7 of the handle represent portions of the cupcake carrier that form no part of the claimed design.

1 Claim, 8 Drawing Sheets



US D699,081 S

Page 2

(56)

References Cited

D670,933 S * 11/2012 Tapper D6/449
D670,934 S * 11/2012 Tapper D6/449

U.S. PATENT DOCUMENTS

D670,932 S * 11/2012 Tapper D6/449 * cited by examiner

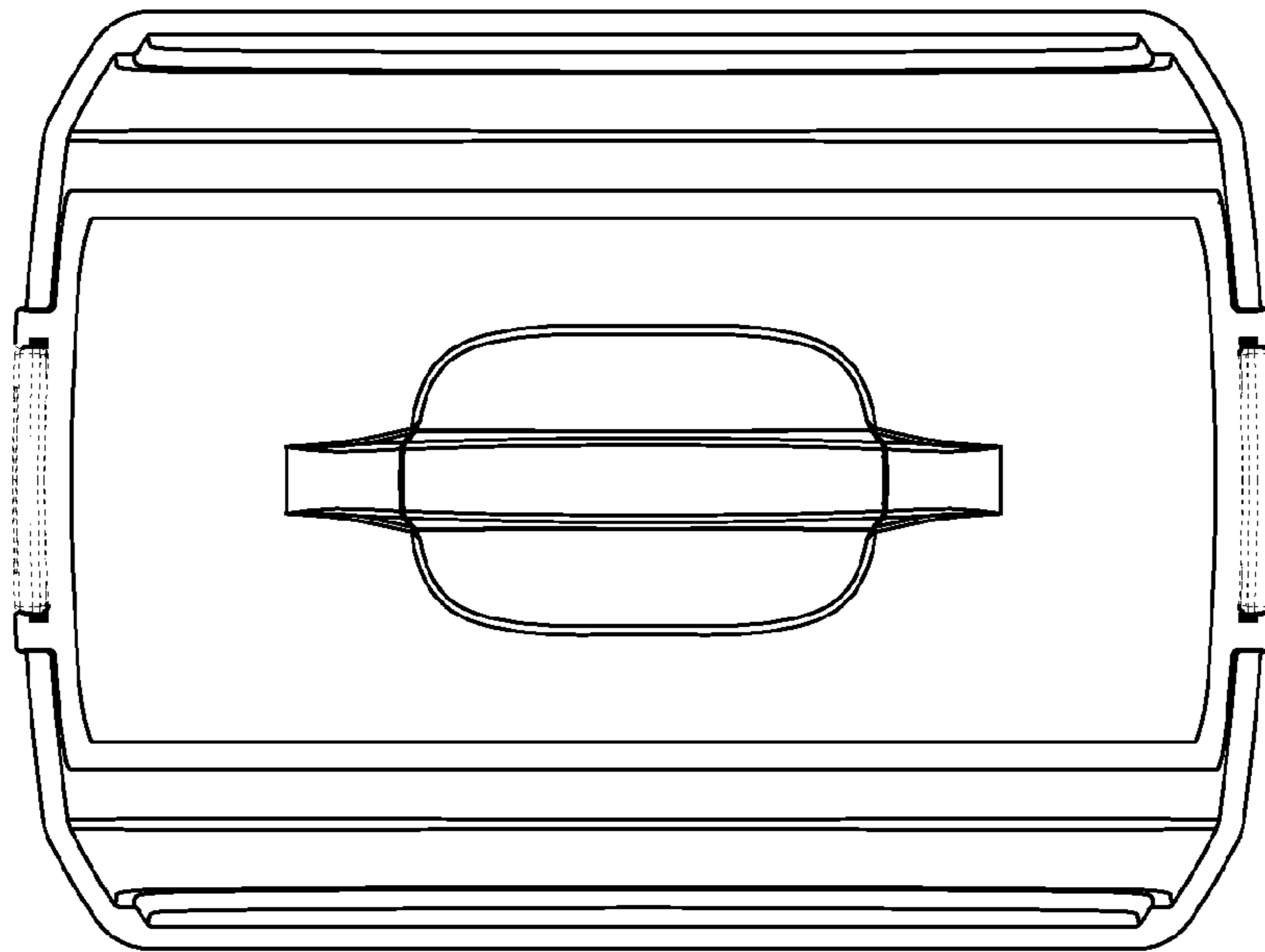


FIG 1

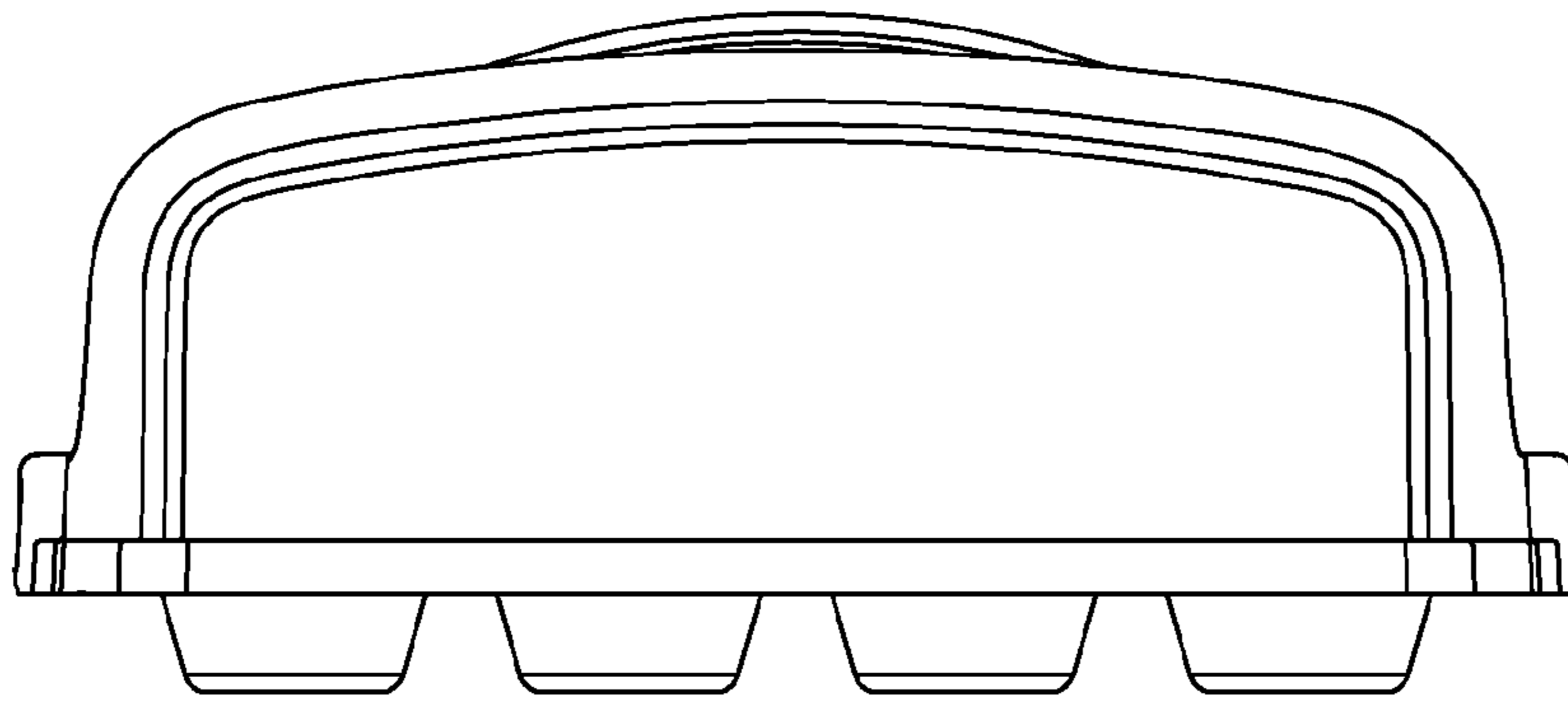


FIG 2

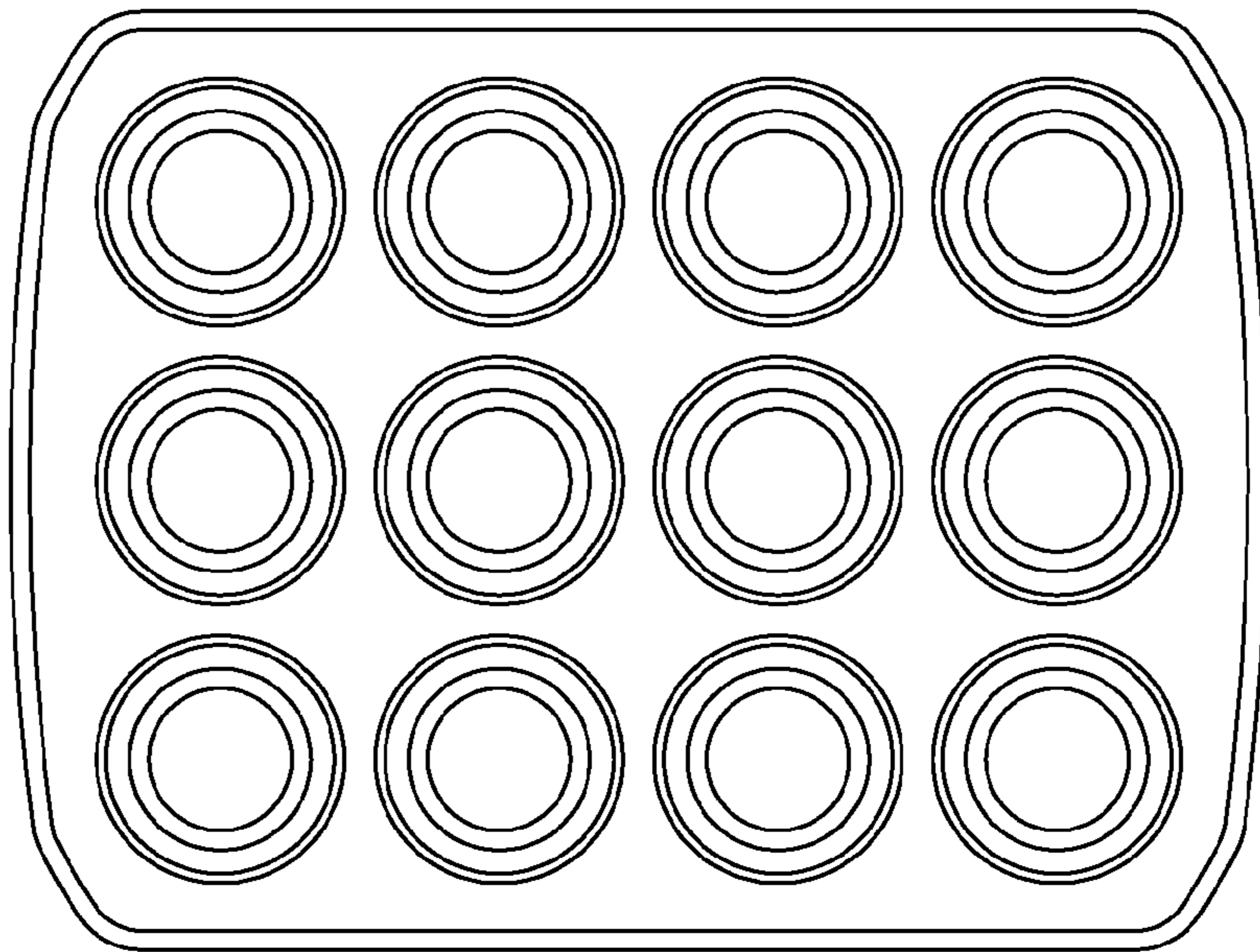


FIG 3

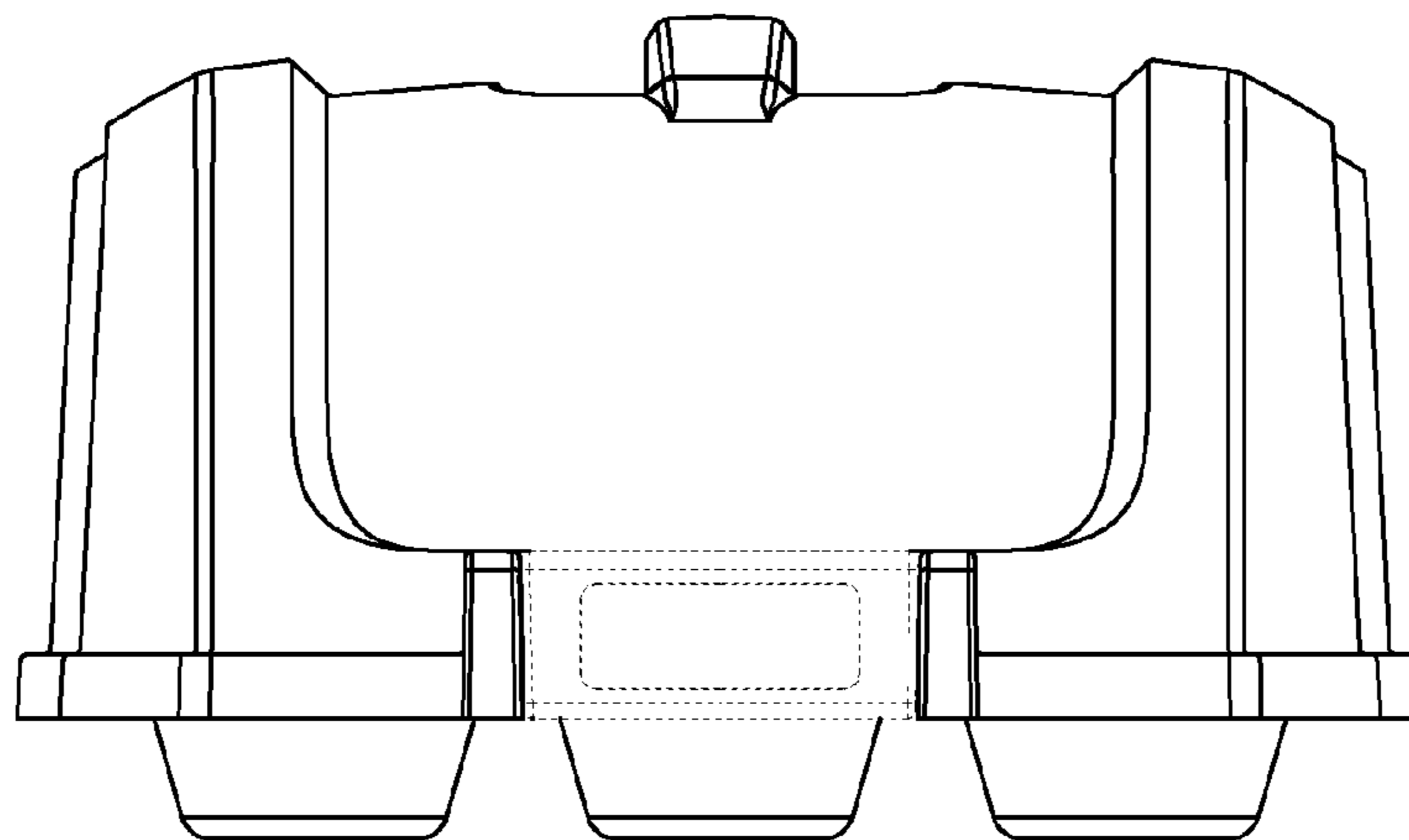


FIG 4

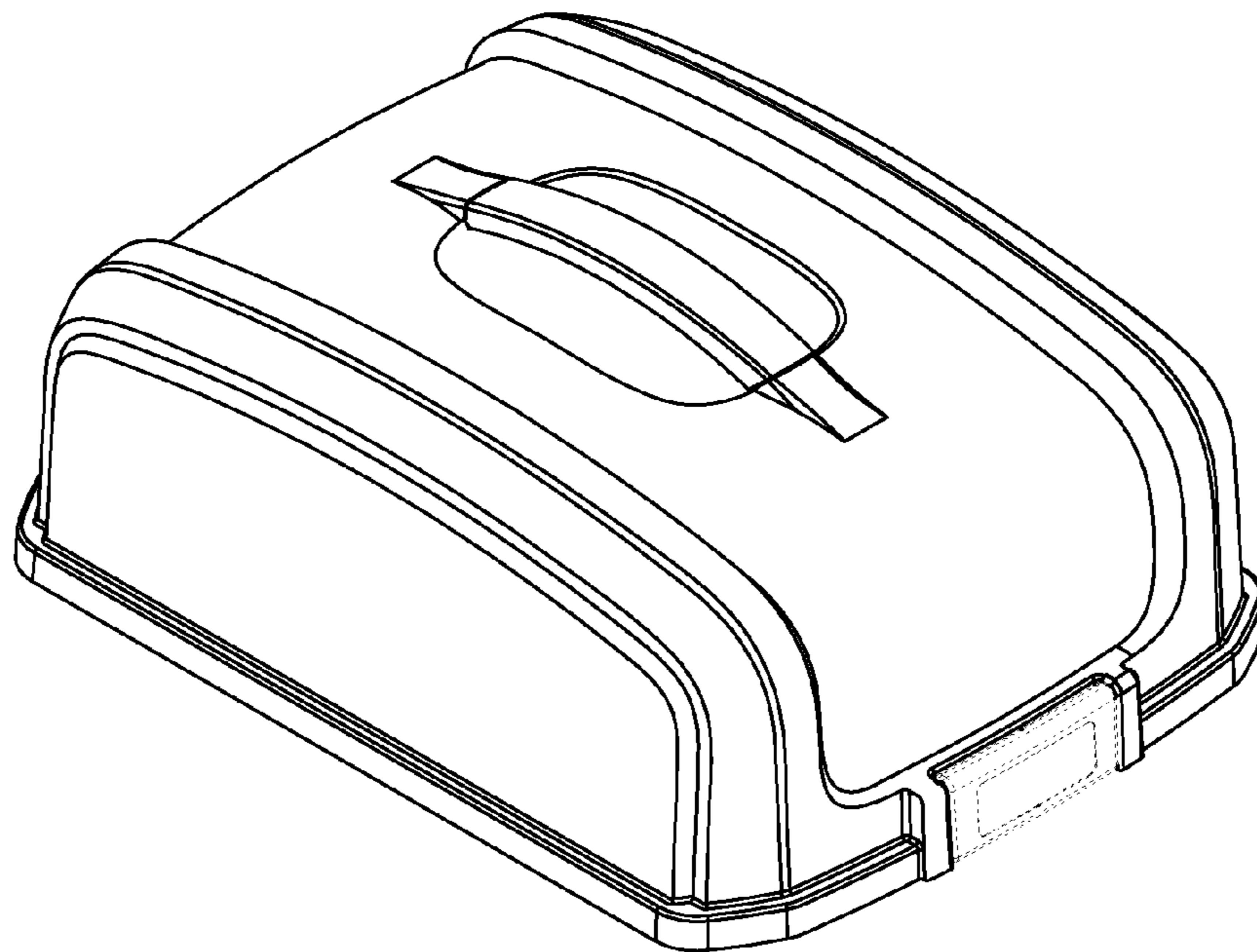


FIG 5

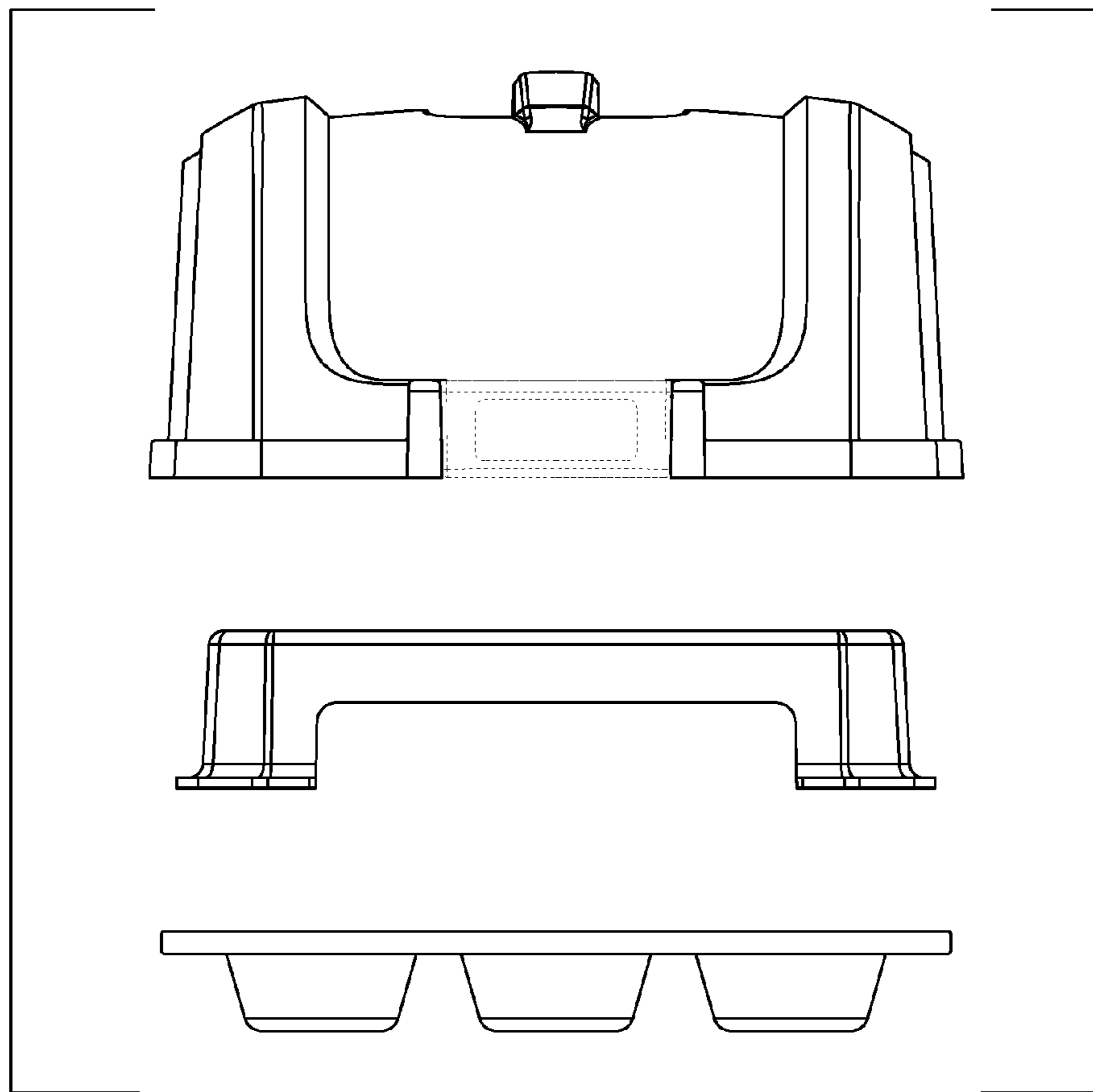


FIG 6

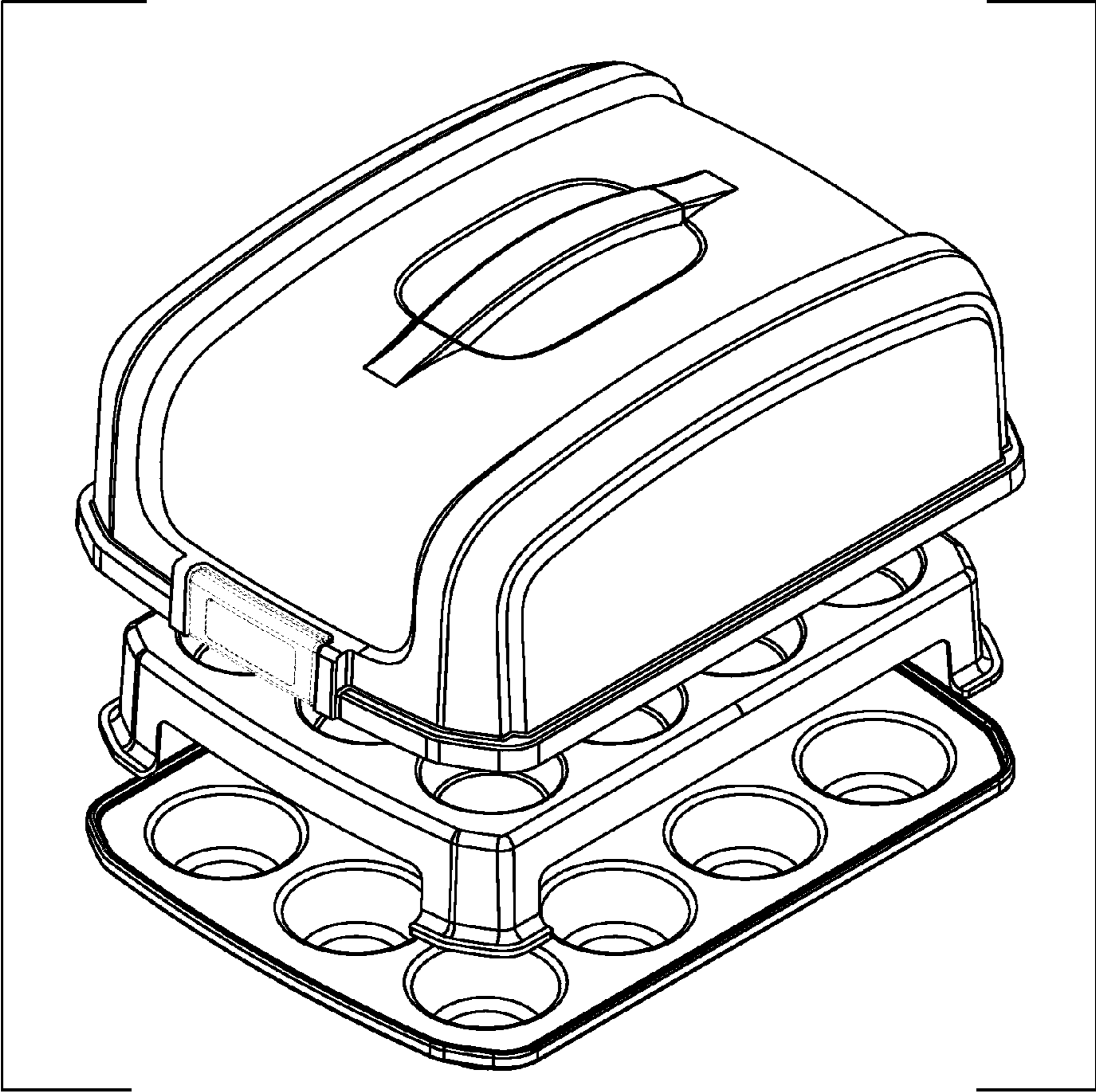


FIG 7

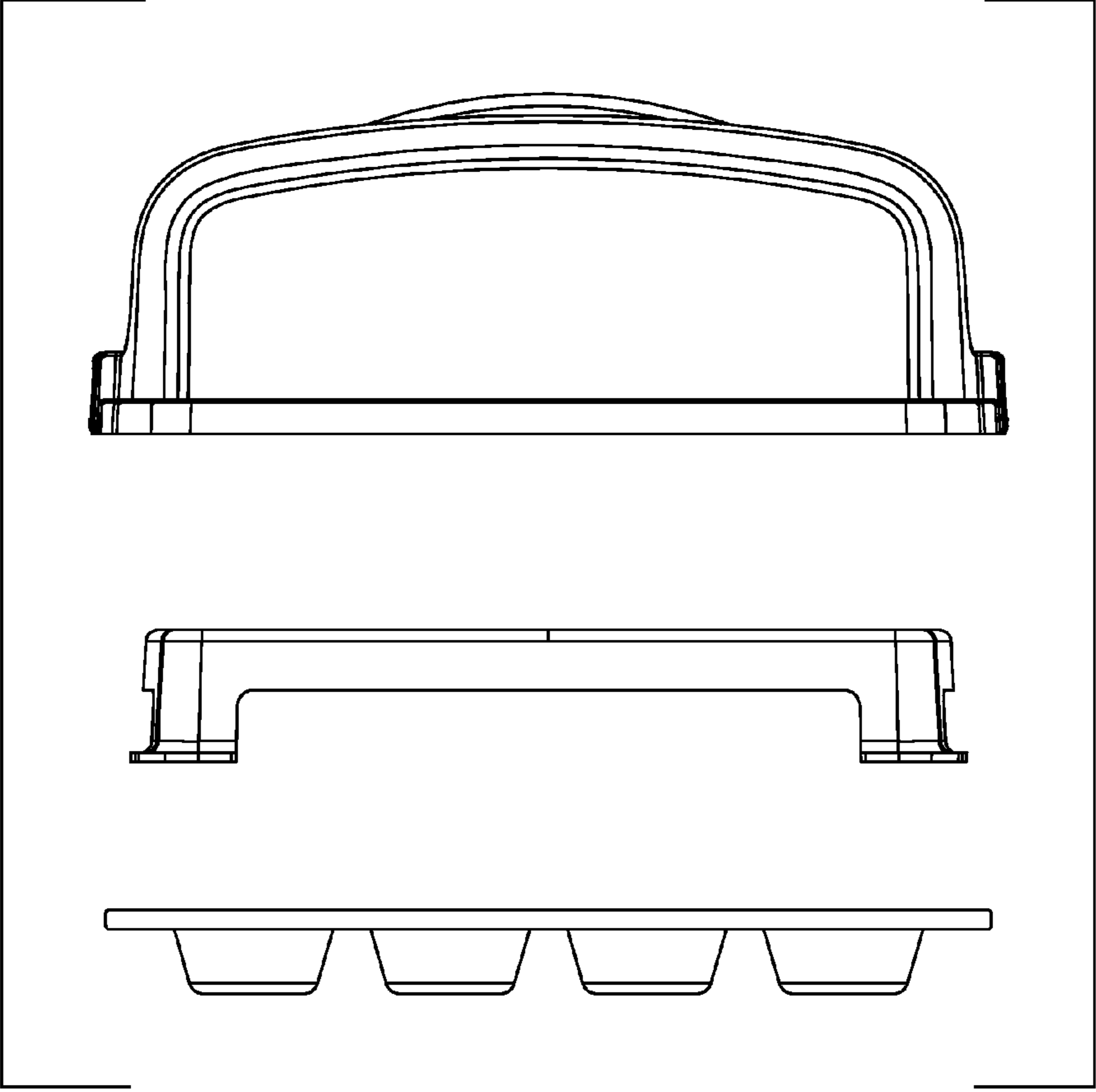


FIG 8