



US00D699080S

(12) **United States Design Patent**  
**Lee**

(10) **Patent No.:** **US D699,080 S**

(45) **Date of Patent:** **\*\* Feb. 11, 2014**

(54) **COOLER**

(76) Inventor: **Justin Lee**, Houston, TX (US)

(\*\*) Term: **14 Years**

(21) Appl. No.: **29/429,215**

(22) Filed: **Aug. 8, 2012**

(51) **LOC (10) Cl.** ..... **07-01**

(52) **U.S. Cl.**  
USPC ..... **D7/605**

(58) **Field of Classification Search**  
USPC ..... D7/603–608, 629, 602;  
62/457.1–457.9, 246–254, 371, 372;  
220/592.01, 592.09, 592.17, 592.19,  
220/592.12, 592.2; D15/79–84; D34/1;  
312/114, 116, 117, 119  
See application file for complete search history.

(56) **References Cited**

**U.S. PATENT DOCUMENTS**

4,581,902	A	*	4/1986	Starck et al.	.....	62/258
D299,391	S	*	1/1989	Meehan	.....	D6/440
D401,479	S	*	11/1998	Norman et al.	.....	D7/605
D414,987	S	*	10/1999	Moffett et al.	.....	D7/605
D428,733	S	*	8/2000	Hazen et al.	.....	D6/441

D437,736	S	*	2/2001	Moffett et al.	.....	D7/605
D469,663	S	*	2/2003	Steinfels	.....	D7/605
D520,305	S	*	5/2006	Brodock et al.	.....	D7/605
D525,084	S	*	7/2006	Willis	.....	D7/605
D567,594	S	*	4/2008	Giovino	.....	D7/605
D570,161	S	*	6/2008	Giovino	.....	D7/605
D580,232	S	*	11/2008	Lee	.....	D7/606
D585,704	S	*	2/2009	Balmas et al.	.....	D7/606
D632,929	S	*	2/2011	Lee	.....	D7/606

\* cited by examiner

*Primary Examiner* — Terry Wallace

(74) *Attorney, Agent, or Firm* — Egbert Law Offices, PLLC

(57) **CLAIM**

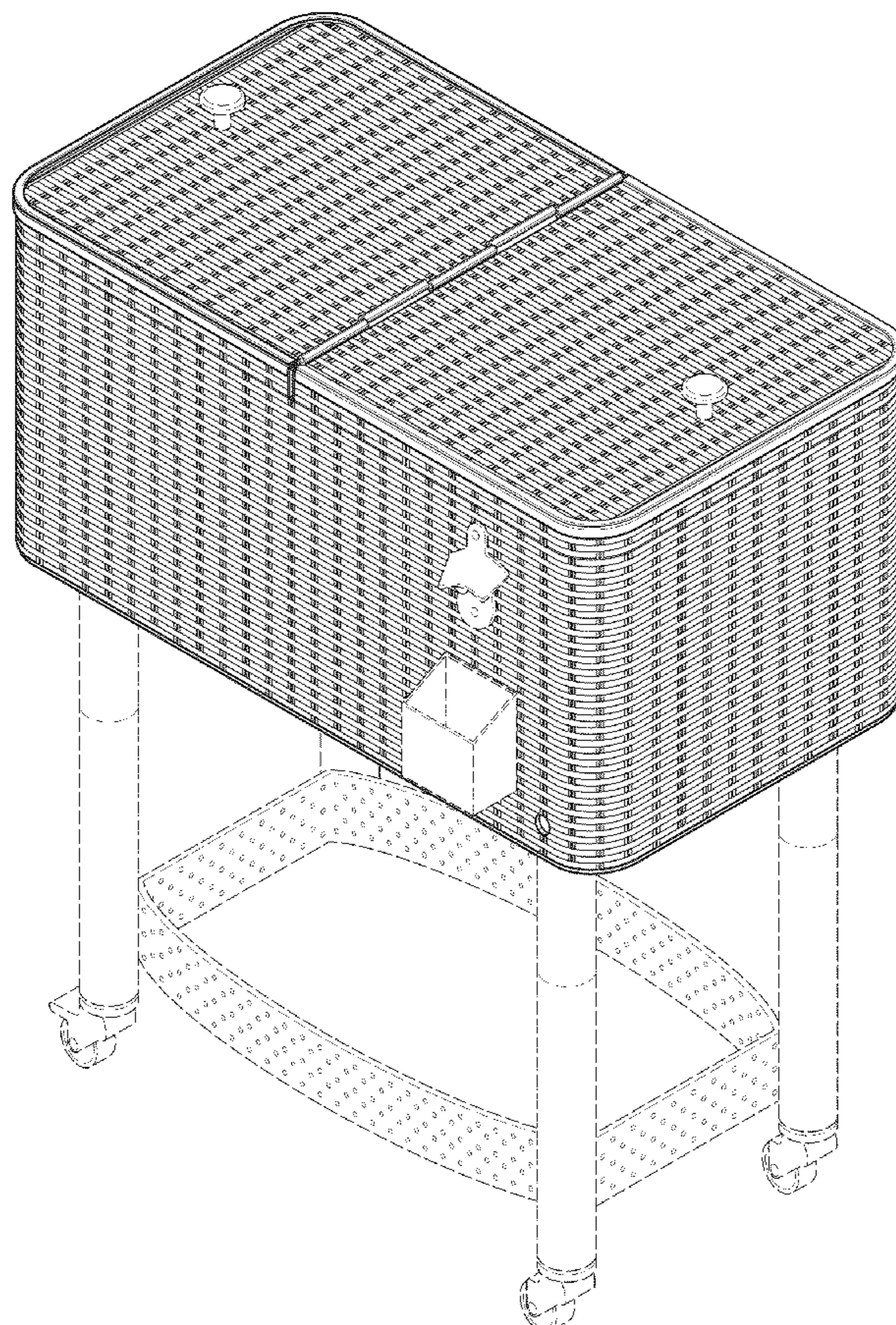
The ornamental design for a cooler, as shown and described.

**DESCRIPTION**

FIG. 1 is a perspective view of the cooler showing my design.  
FIG. 2 is a front view thereof;  
FIG. 3 is a top view thereof;  
FIG. 4 is a side view thereof;  
FIG. 5 is an opposite side view thereof;  
FIG. 6 is a bottom view thereof; and,  
FIG. 7 is a rear view thereof.

The cooler has a rattan or faux rattan surface thereon. The features presented in broken lines are for environmental purposes only and form no part of the claimed design.

**1 Claim, 4 Drawing Sheets**





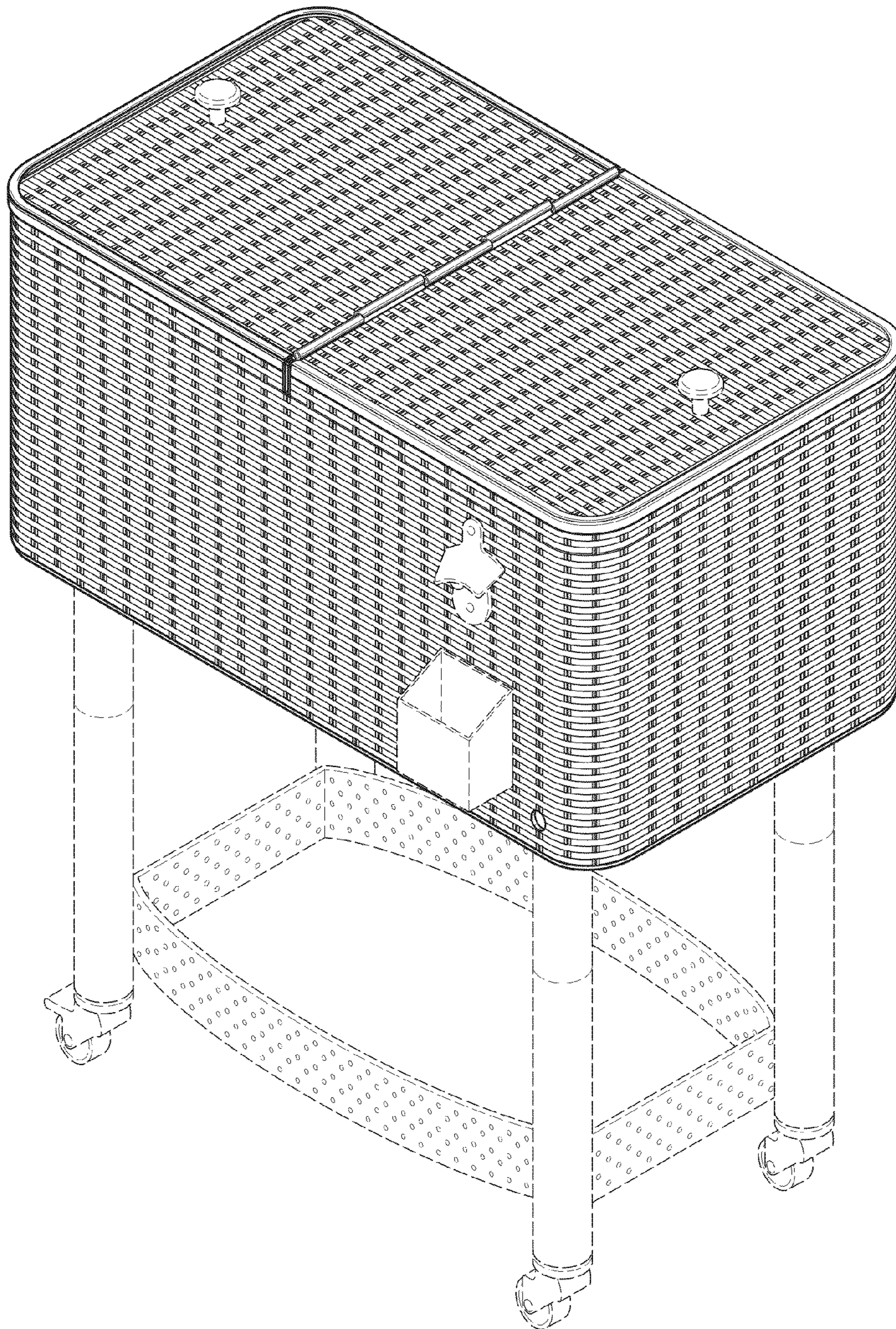


FIG. 1



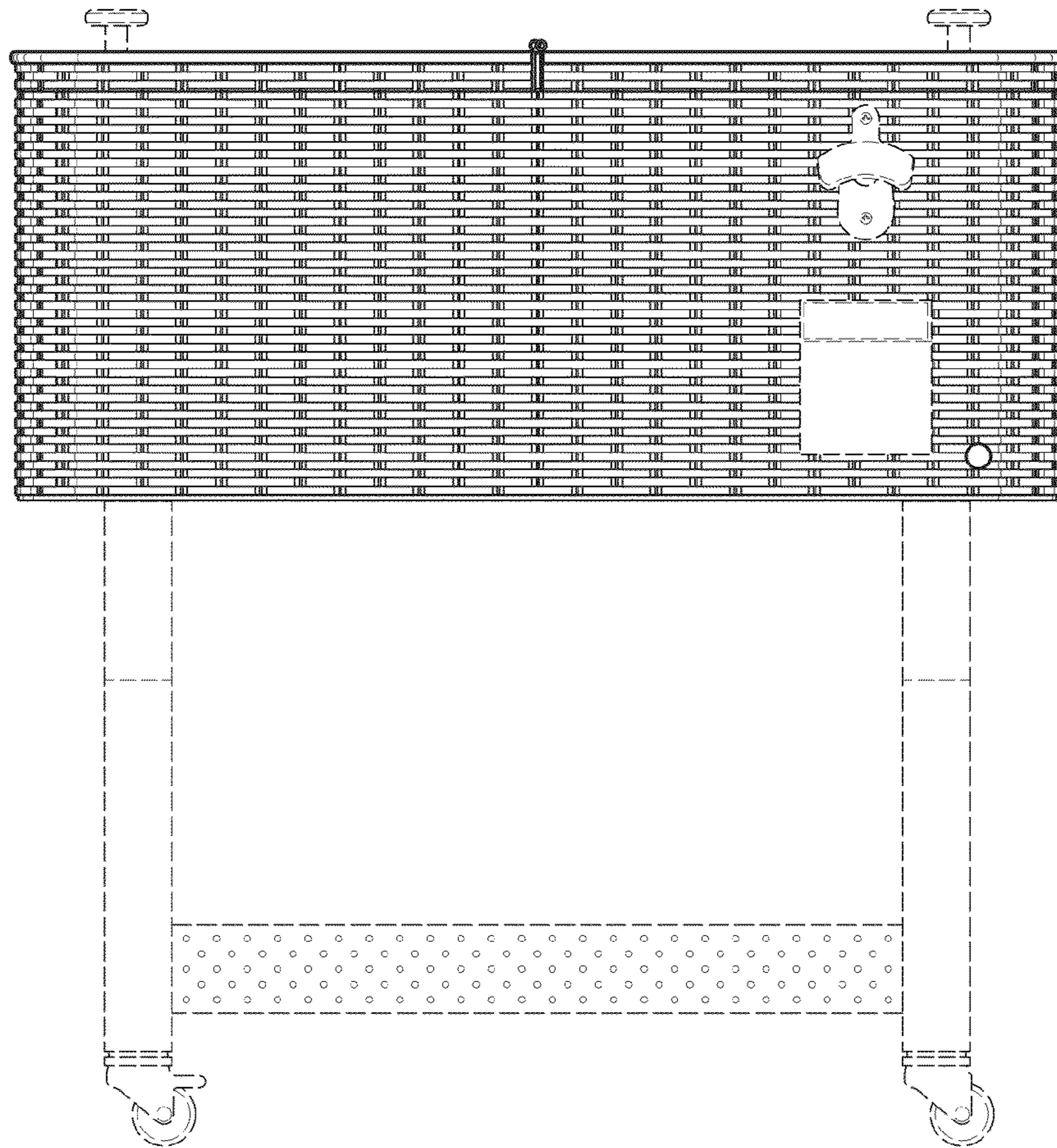


FIG. 2

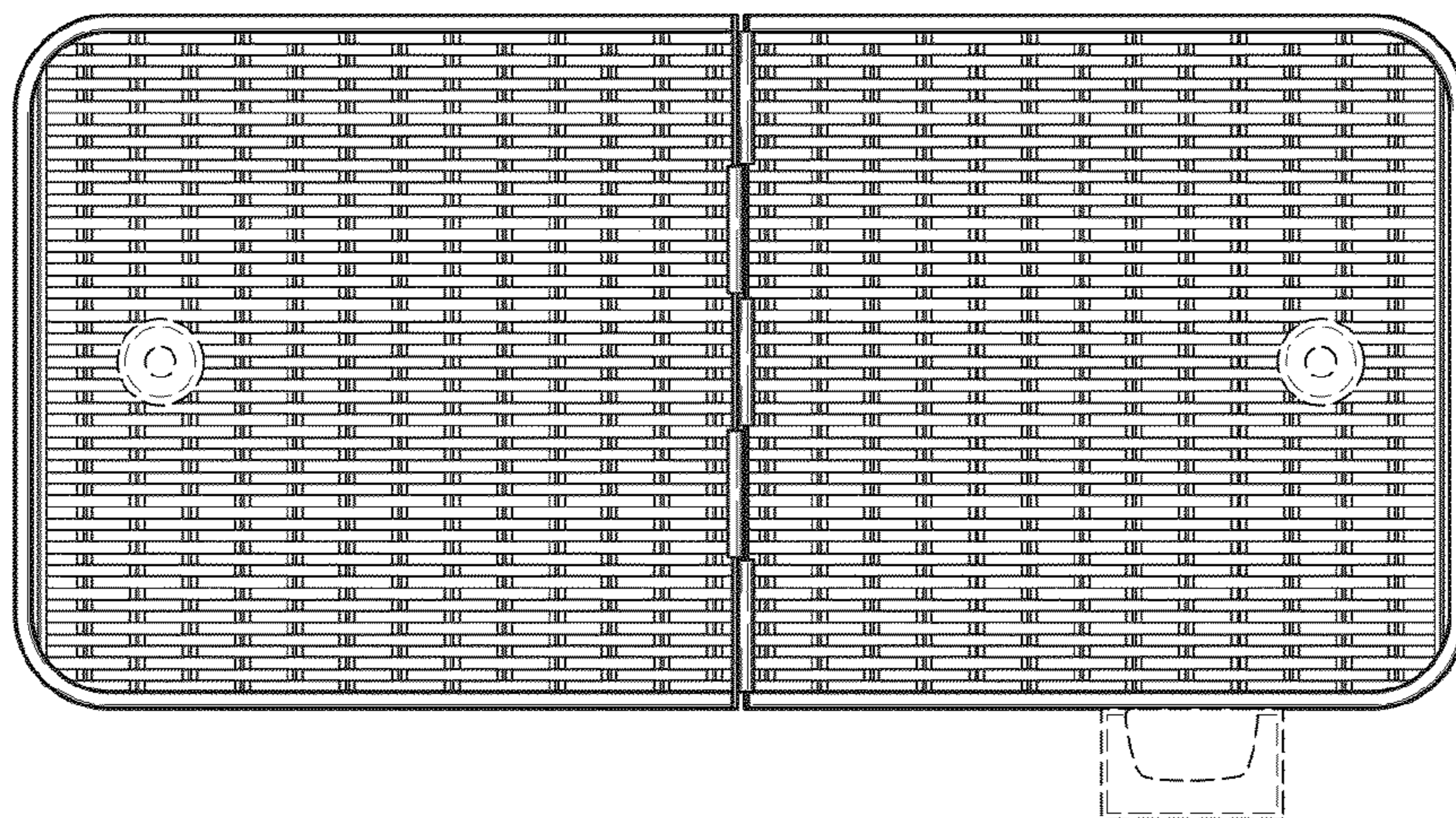
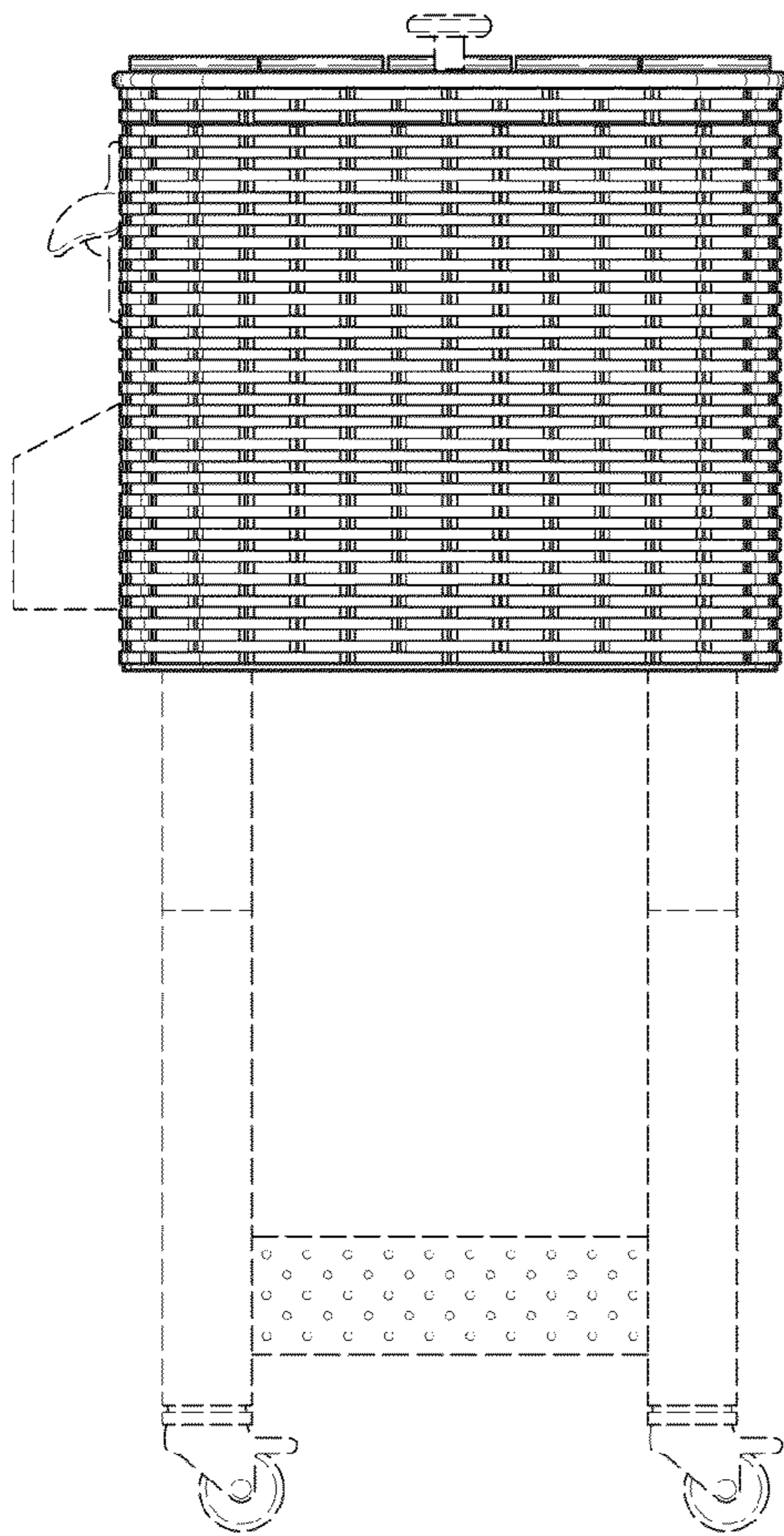
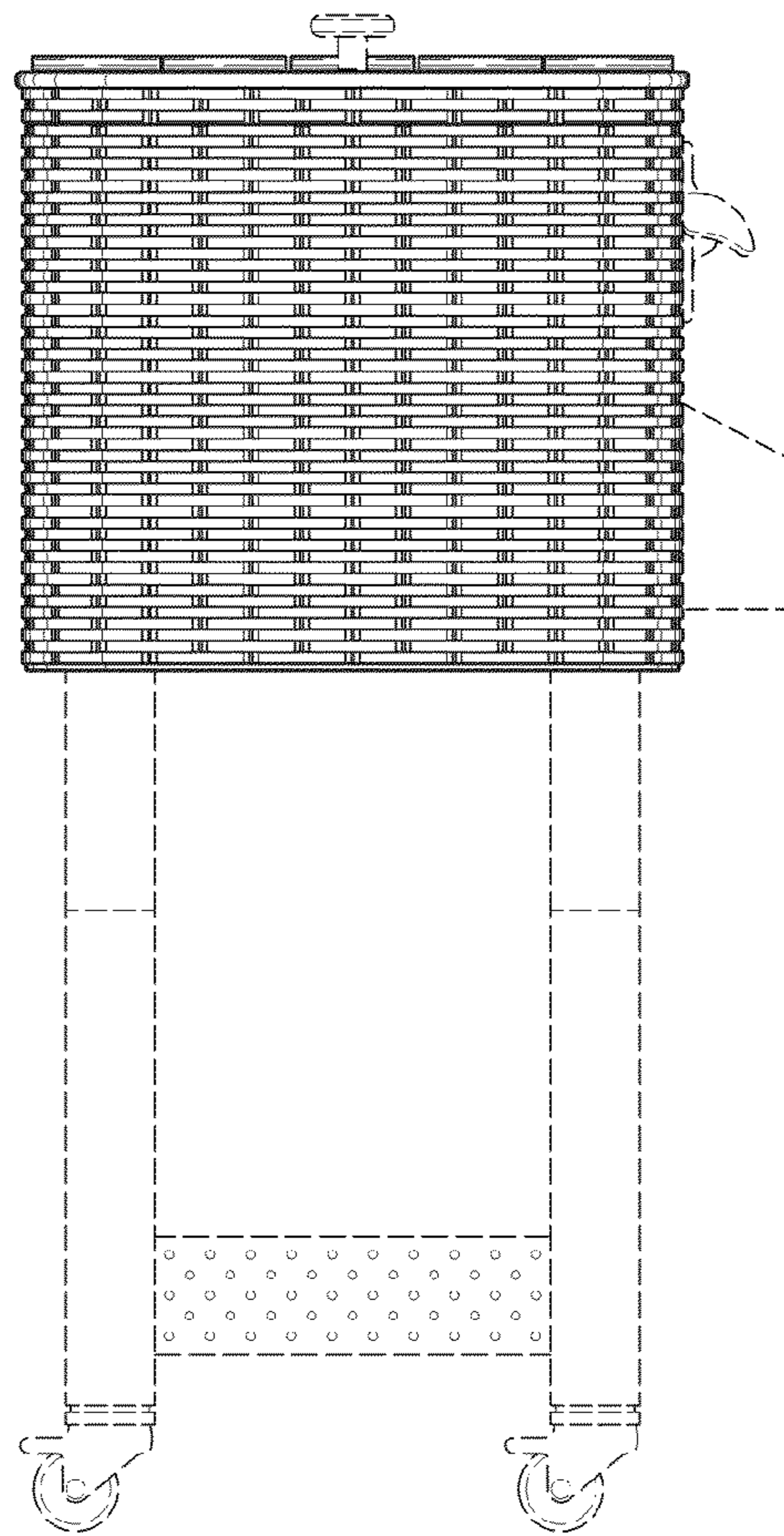


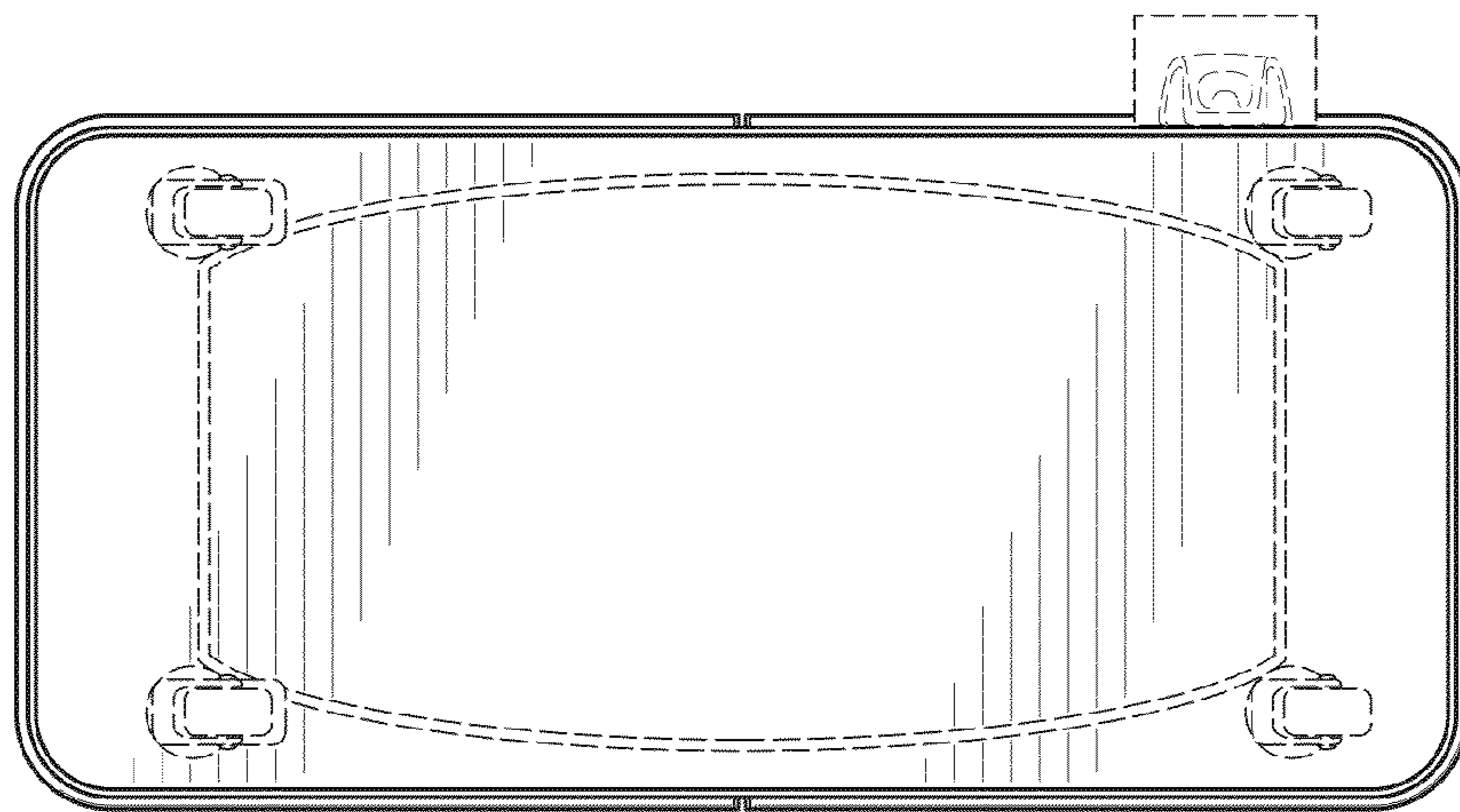
FIG. 3



**FIG. 4**



**FIG. 5**



**FIG. 6**



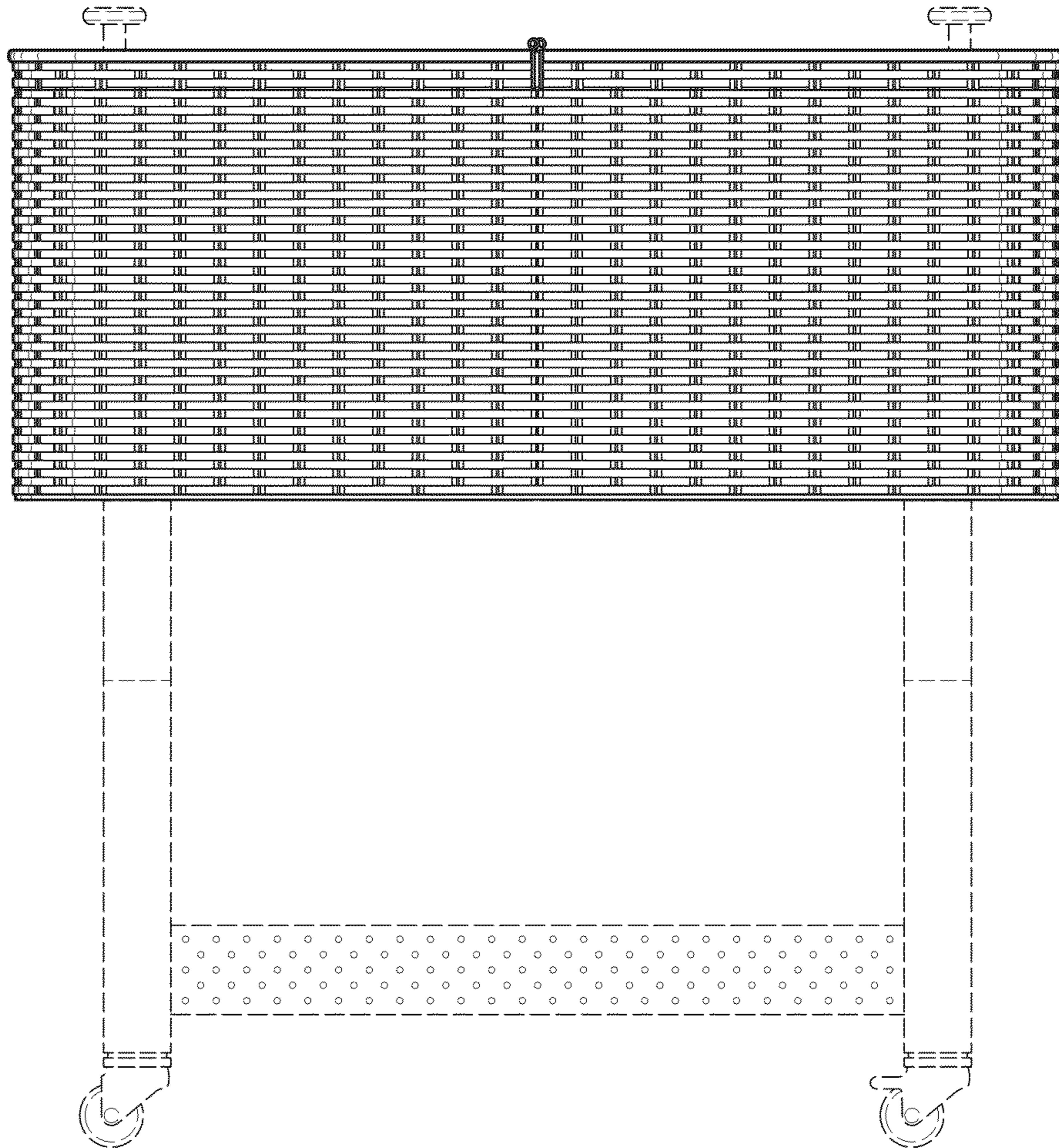


FIG. 7