

US00D699079S

(12) **United States Design Patent**  
**Lloyd**

(10) **Patent No.:** **US D699,079 S**

(45) **Date of Patent:** **\*\* Feb. 11, 2014**

(54) **TEMPERATURE-RETAINING HOLDER FOR FOODS**

D583,629 S \* 12/2008 Sgrillo ..... D7/607  
D644,891 S \* 9/2011 Meyer ..... D7/607  
2007/0053618 A1\* 3/2007 Schoening ..... 383/110

(71) Applicant: **Patricia Lloyd**, Pinehurst, NC (US)

\* cited by examiner

(72) Inventor: **Patricia Lloyd**, Pinehurst, NC (US)

*Primary Examiner* — Terry Wallace

(\*\*) Term: **14 Years**

(74) *Attorney, Agent, or Firm* — Olive Law Group, PLLC

(21) Appl. No.: **29/451,656**

(57) **CLAIM**

I claim the ornamental design for the temperature-retaining holder for foods, as shown and described.

(22) Filed: **Apr. 5, 2013**

(51) **LOC (10) Cl.** ..... **07-01**

(52) **U.S. Cl.**

USPC ..... **D7/601**

(58) **Field of Classification Search**

USPC ..... D7/607, 601, 368, 687, 669; 150/154,  
150/105; 383/110, 121.1, 2, 6, 98, 13, 15;  
220/592.25, 592.2; D29/119; 62/560,  
62/372

See application file for complete search history.

**DESCRIPTION**

FIG. 1 is a top plan view of a temperature-retaining holder for foods showing my new design, shown in an unwrapped state.

FIG. 2 is a top perspective view thereof.

FIG. 3 is a top perspective view thereof, shown partially wrapped.

FIG. 4 is a top perspective view thereof, shown partially wrapped.

FIG. 5 is a top perspective view thereof, shown partially wrapped.

FIG. 6 is a top perspective view thereof, fully wrapped.

FIG. 7 is a right side view of FIG. 6.

FIG. 8 is a left side view of FIG. 6.

FIG. 9 is a front view of FIG. 6; and,

FIG. 10 is a rear view of FIG. 6.

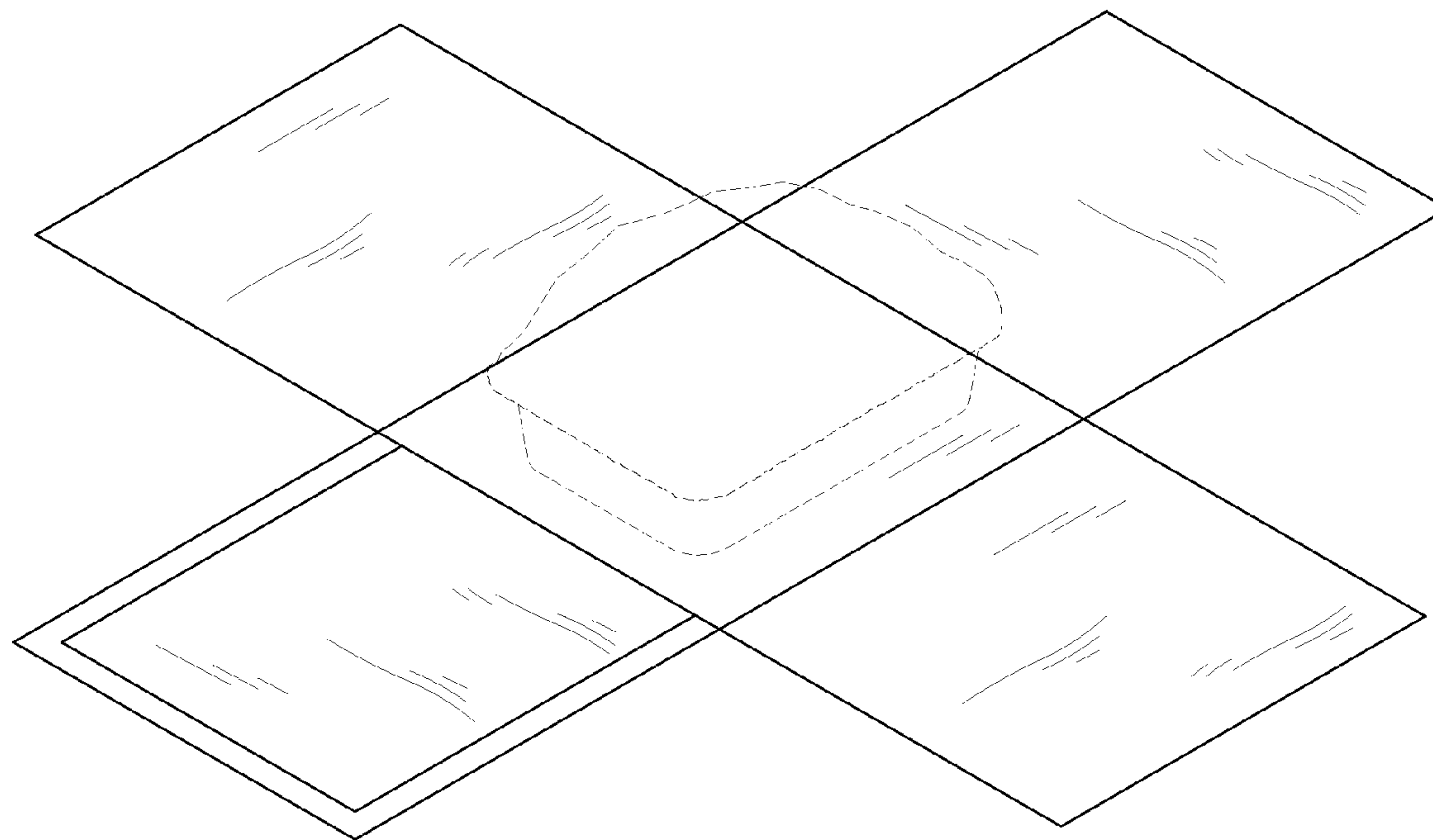
The broken lines are for illustrative purposes only and form no part of the claimed design.

(56) **References Cited**

U.S. PATENT DOCUMENTS

2,353,932	A *	7/1944	Schaffer	.....	132/312
3,262,283	A *	7/1966	Taylor	.....	62/372
3,314,464	A *	4/1967	Veilleux	.....	150/154
3,507,312	A *	4/1970	Petersen	.....	220/737
D262,177	S *	12/1981	Swan	.....	D7/607
D321,306	S *	11/1991	Behar	.....	D7/607
5,800,061	A *	9/1998	Volles	.....	383/15
7,153,025	B1 *	12/2006	Jackson et al.	.....	383/2

**1 Claim, 5 Drawing Sheets**



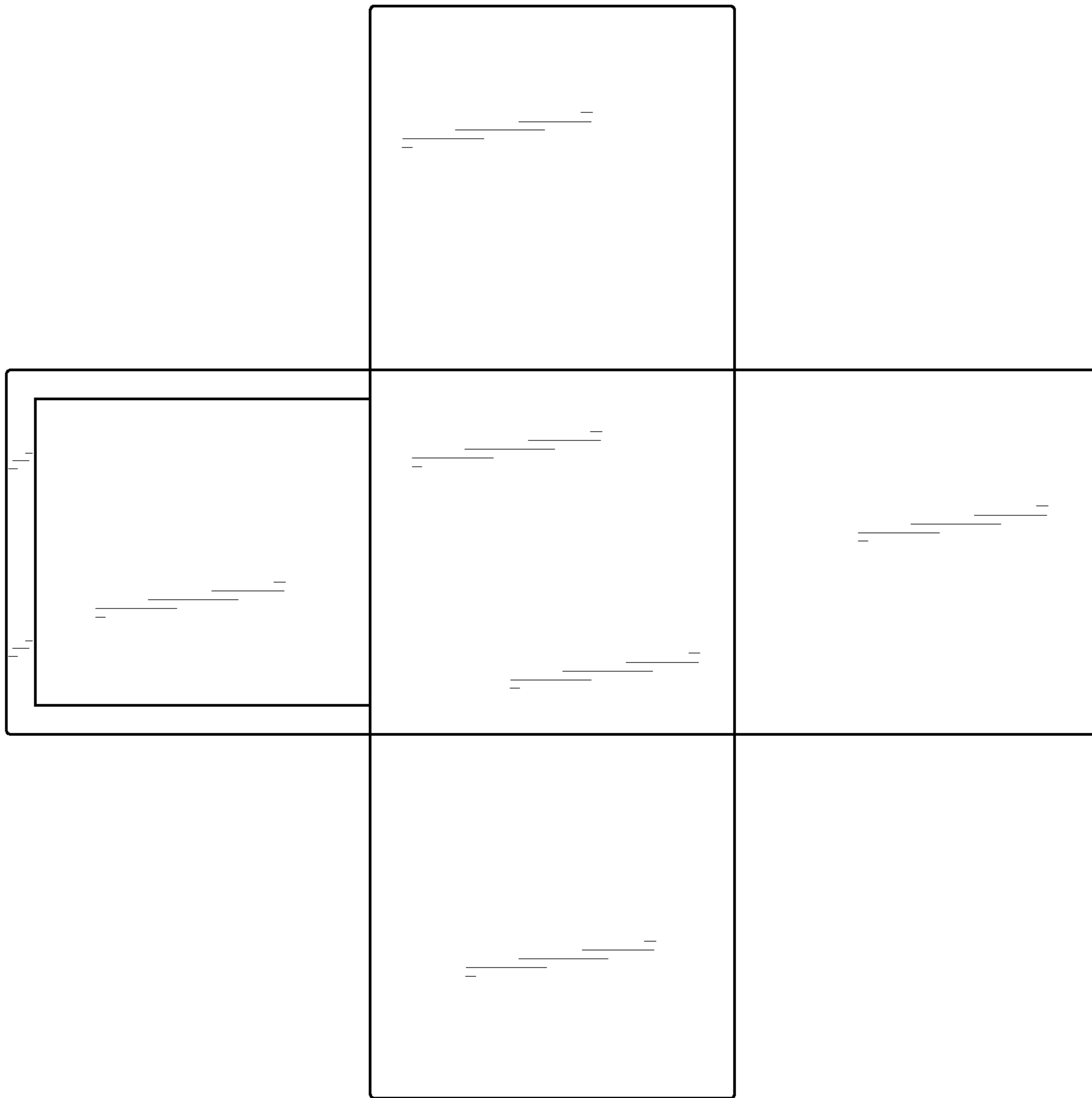


FIG. 1

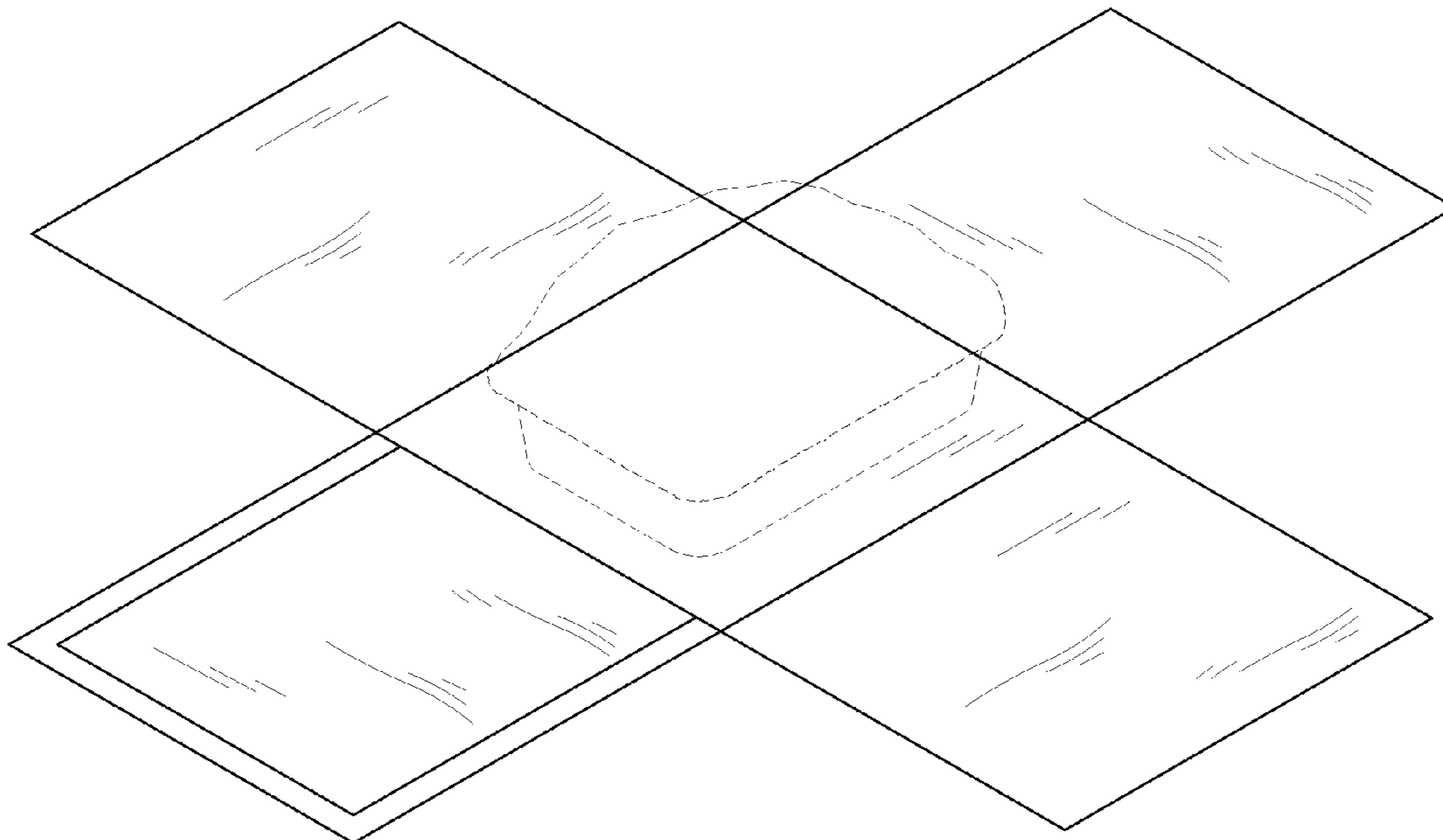


FIG. 2

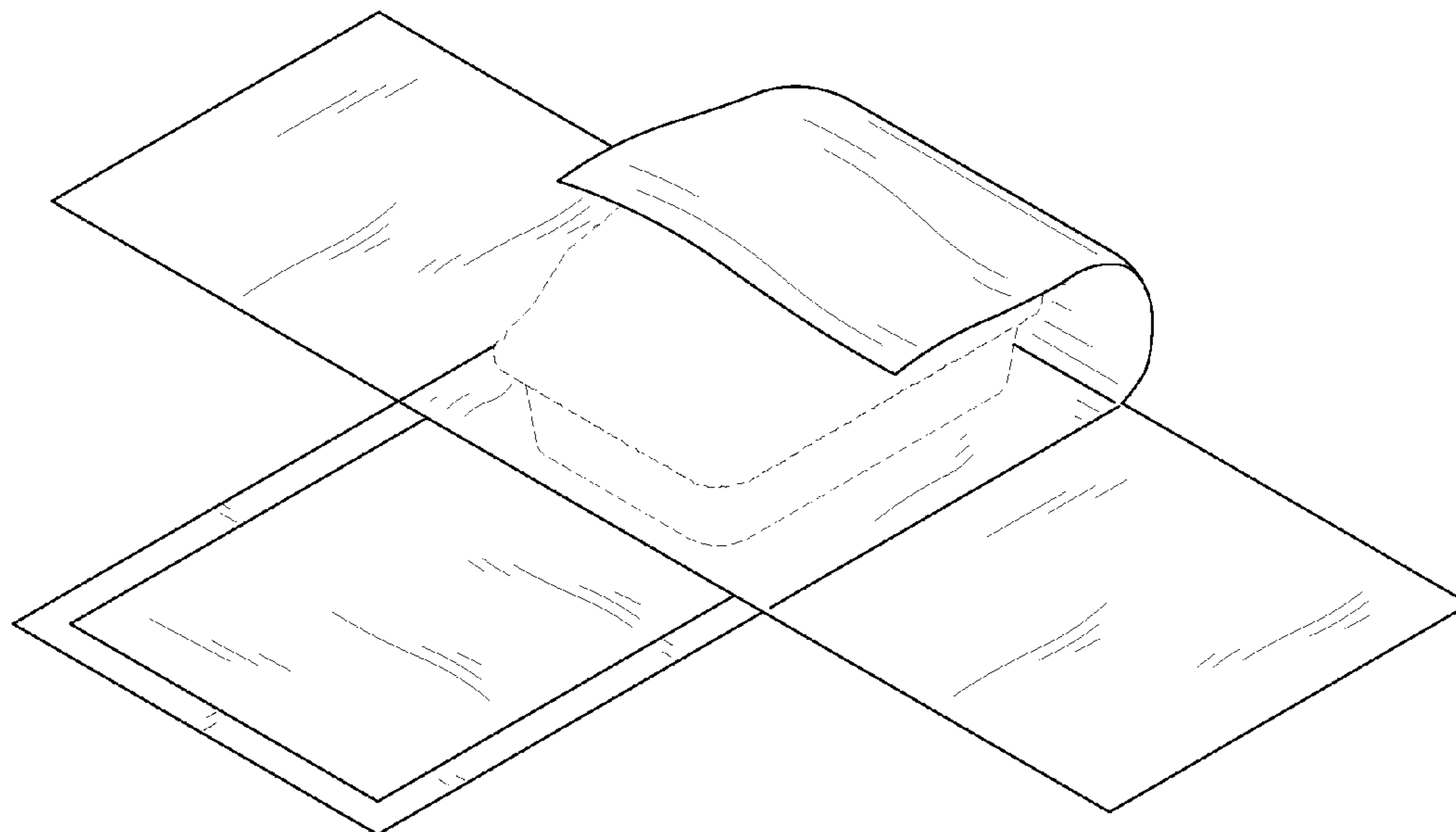


FIG. 3

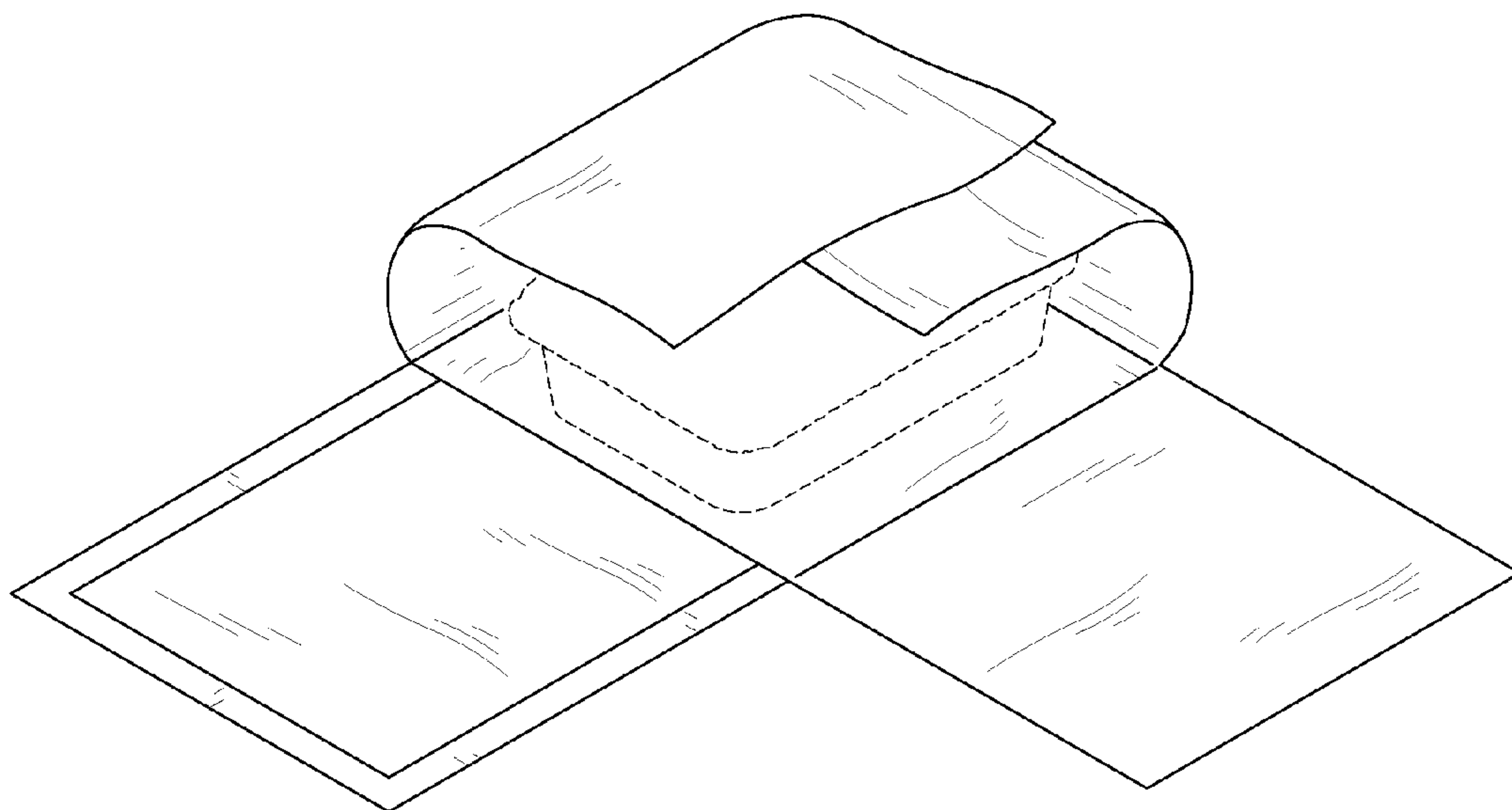


FIG. 4

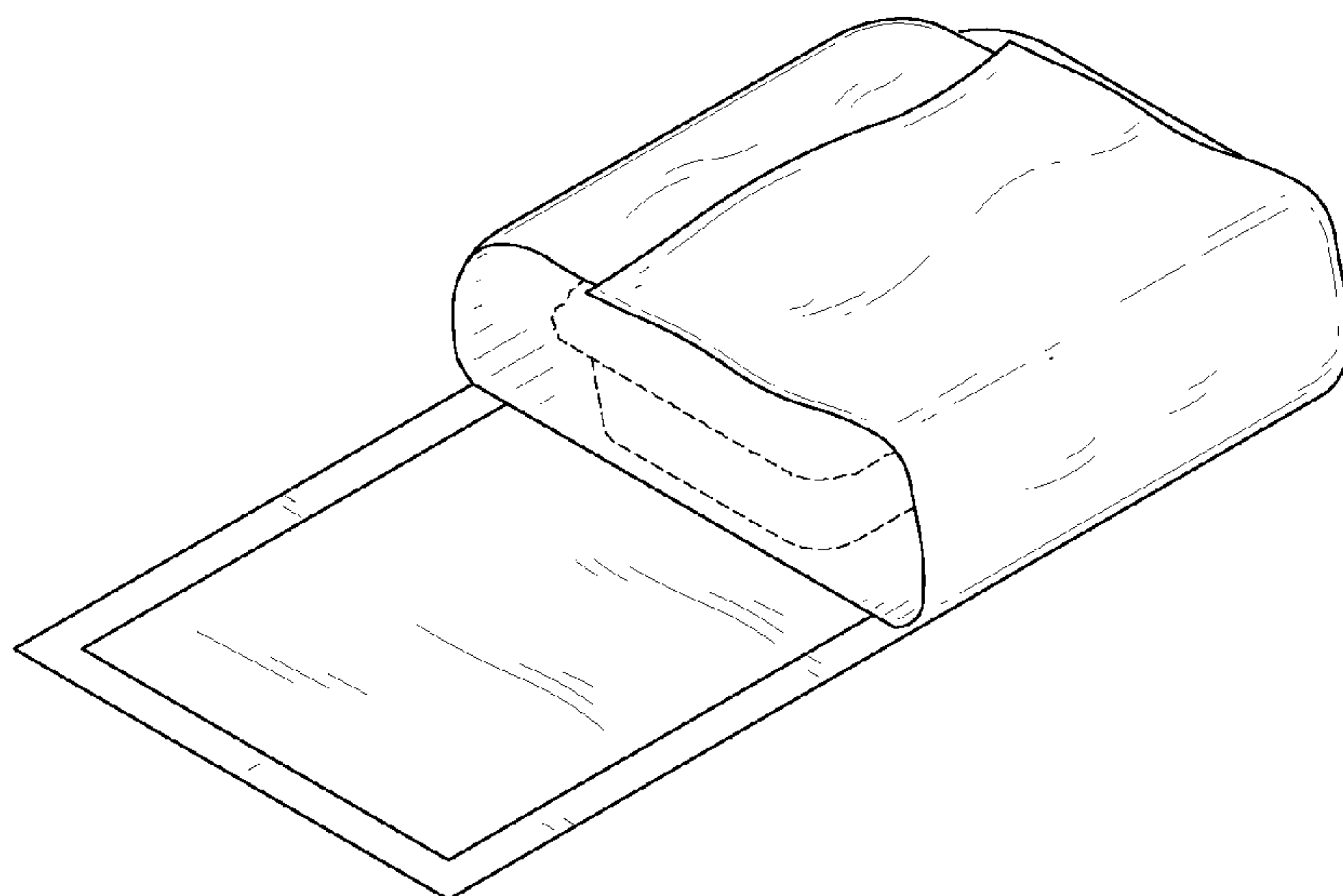


FIG. 5

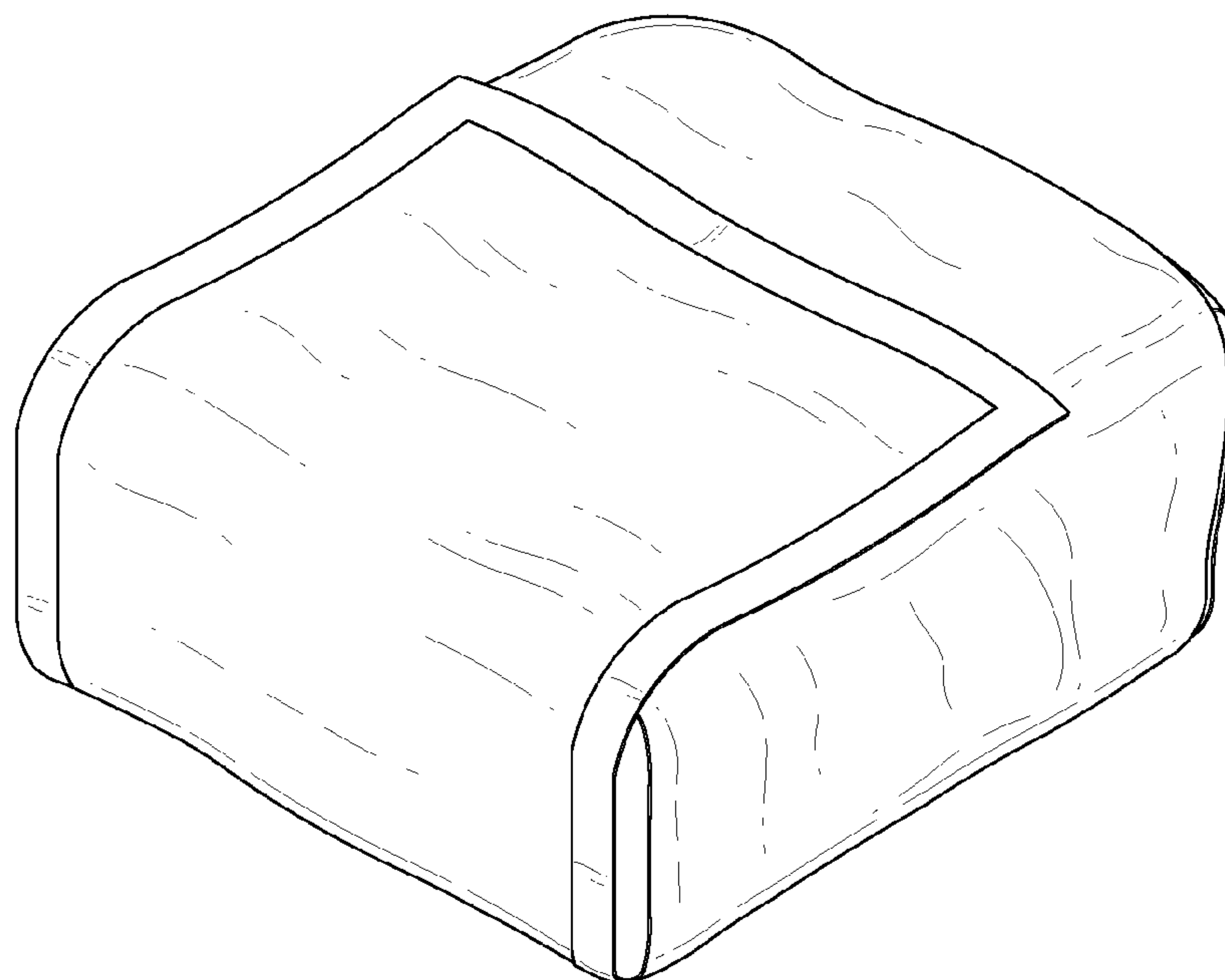


FIG. 6

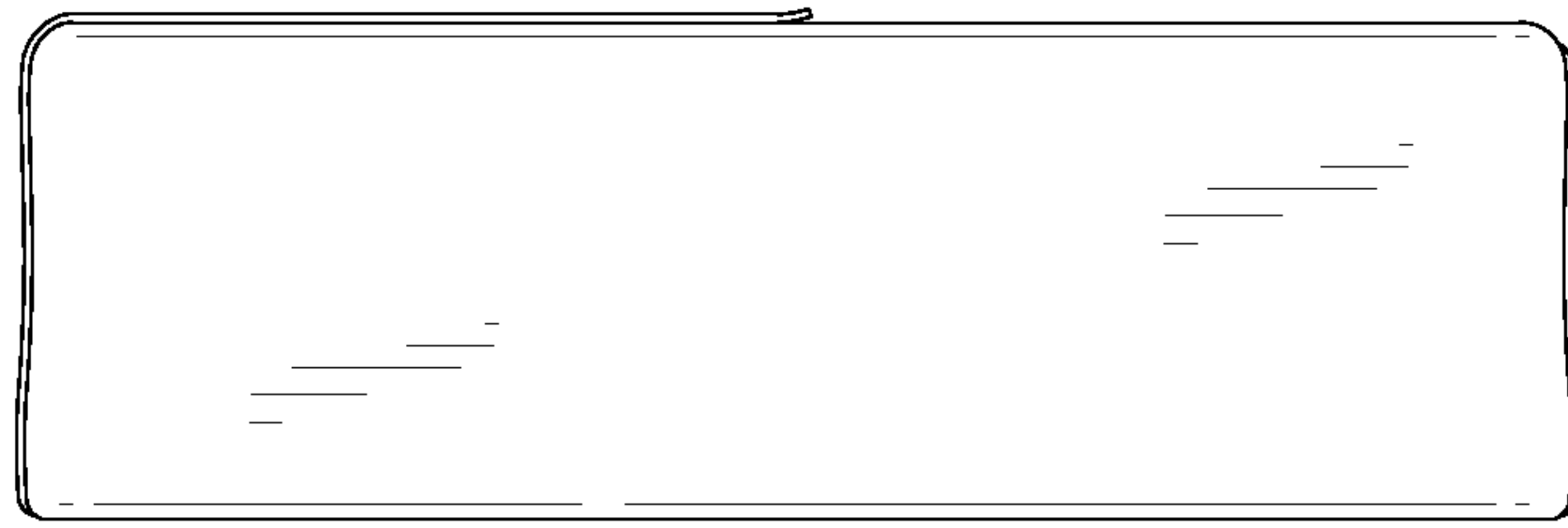


FIG. 7

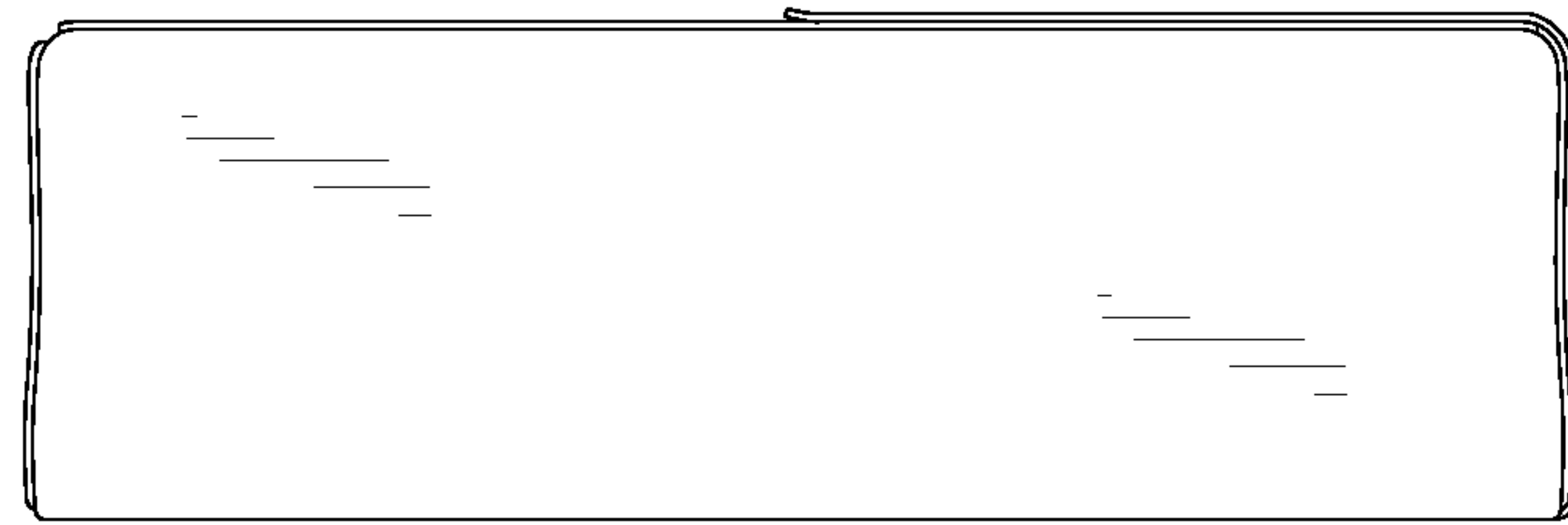


FIG. 8

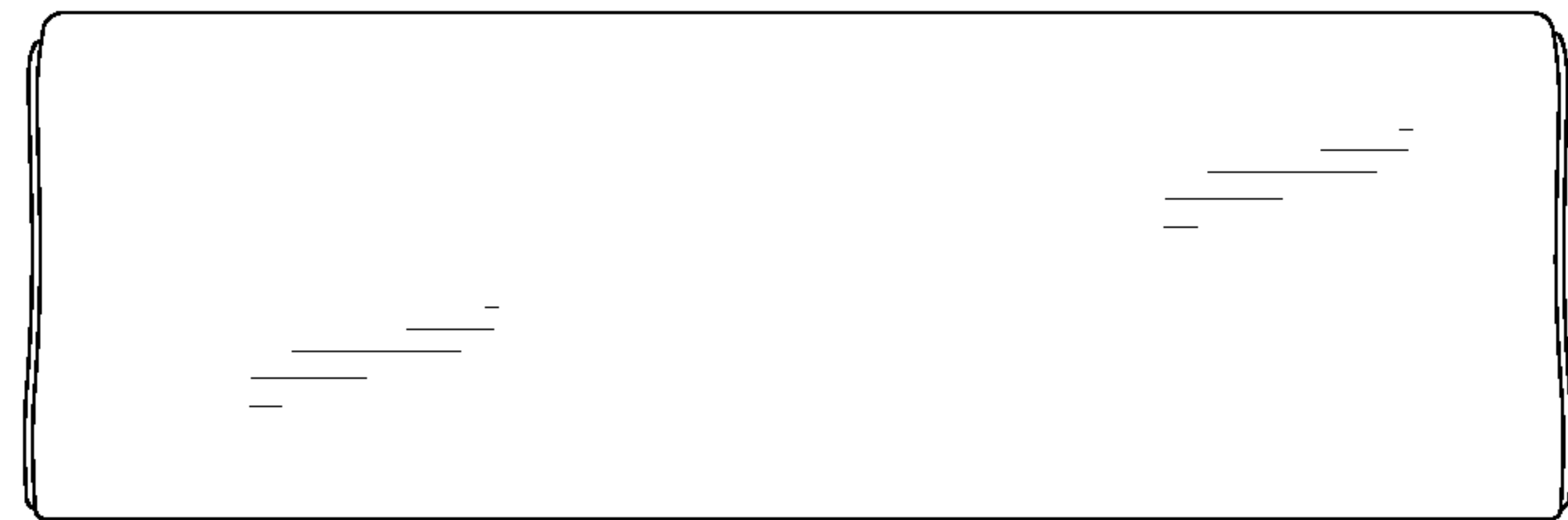


FIG. 9

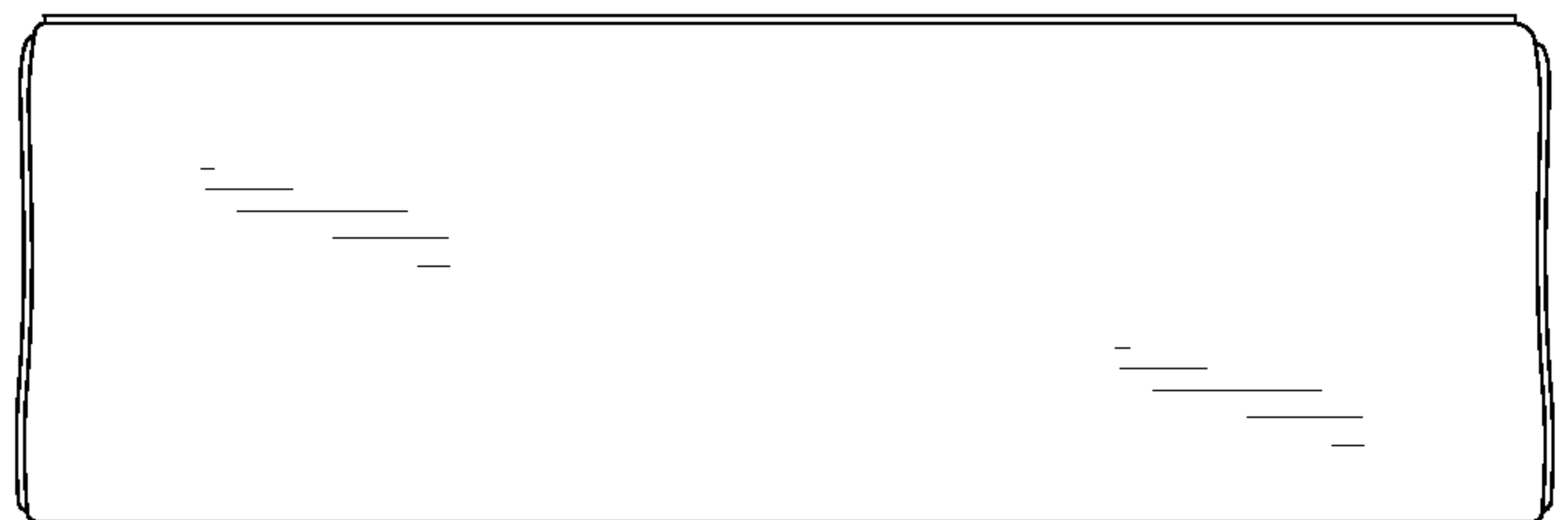


FIG. 10