

US00D699078S

(12) **United States Design Patent**
Katterheinrich et al.

(10) **Patent No.:** **US D699,078 S**
(45) **Date of Patent:** **** Feb. 11, 2014**

- (54) **BOWL**
- (71) Applicant: **Target Brands, Inc.**, Minneapolis, MN (US)
- (72) Inventors: **Kent D. Katterheinrich**, Shoreview, MN (US); **William Peterson**, Minneapolis, MN (US)
- (73) Assignee: **Target Brands, Inc.**, Minneapolis, MN (US)
- (**) Term: **14 Years**
- (21) Appl. No.: **29/470,642**
- (22) Filed: **Oct. 23, 2013**

Related U.S. Application Data

- (62) Division of application No. 29/447,466, filed on Mar. 4, 2013.
- (51) **LOC (10) Cl.** **07-01**
- (52) **U.S. Cl.**
USPC **D7/587**
- (58) **Field of Classification Search**
USPC D7/562, 586, 545, 561, 560, 500, 543, D7/360, 361, 552.1, 354, 555, 566, 504, D7/565, 587, 601, 602, 505, 558, 584, D7/523; D1/122; D30/130; 220/751, 23.4, 220/574; D9/643, 744; 215/382, 400
See application file for complete search history.

(56) **References Cited**

U.S. PATENT DOCUMENTS

- D53,247 S 4/1919 Lewis
- D113,511 S * 2/1939 Heller D7/565
- D125,932 S 3/1941 Guild
- D220,846 S 6/1971 Mascetti, Jr.
- D220,966 S 6/1971 Bateman

- D239,358 S 3/1976 Kjellqvist
- D239,999 S * 5/1976 Christian D7/584
- D256,669 S 9/1980 Mitchell
- D289,843 S 5/1987 Ritman
- D293,293 S 12/1987 Isles
- D293,872 S * 1/1988 Wang D7/354
- 5,231,850 A 8/1993 Morris

(Continued)

OTHER PUBLICATIONS

“Winter Cardinal Cereal Bowl”, printed from www.target.com/p/winter-cardinal-cereal-bowl-set-of-4/-/A-14115717#prodSlot=medium_1_10 on Nov. 14, 2012 (1 page).

(Continued)

Primary Examiner — Cynthia Underwood
(74) *Attorney, Agent, or Firm* — Griffiths & Seaton PLLC; JoAnn M. Seaton

(57) **CLAIM**

The ornamental design for a bowl, as shown and described.

DESCRIPTION

FIG. 1 is a front, perspective view of a bowl showing our new design;

FIG. 2 is a front view thereof, the rear view being identical to the front view;

FIG. 3 is a right side view thereof, the left side view being identical to the right side view;

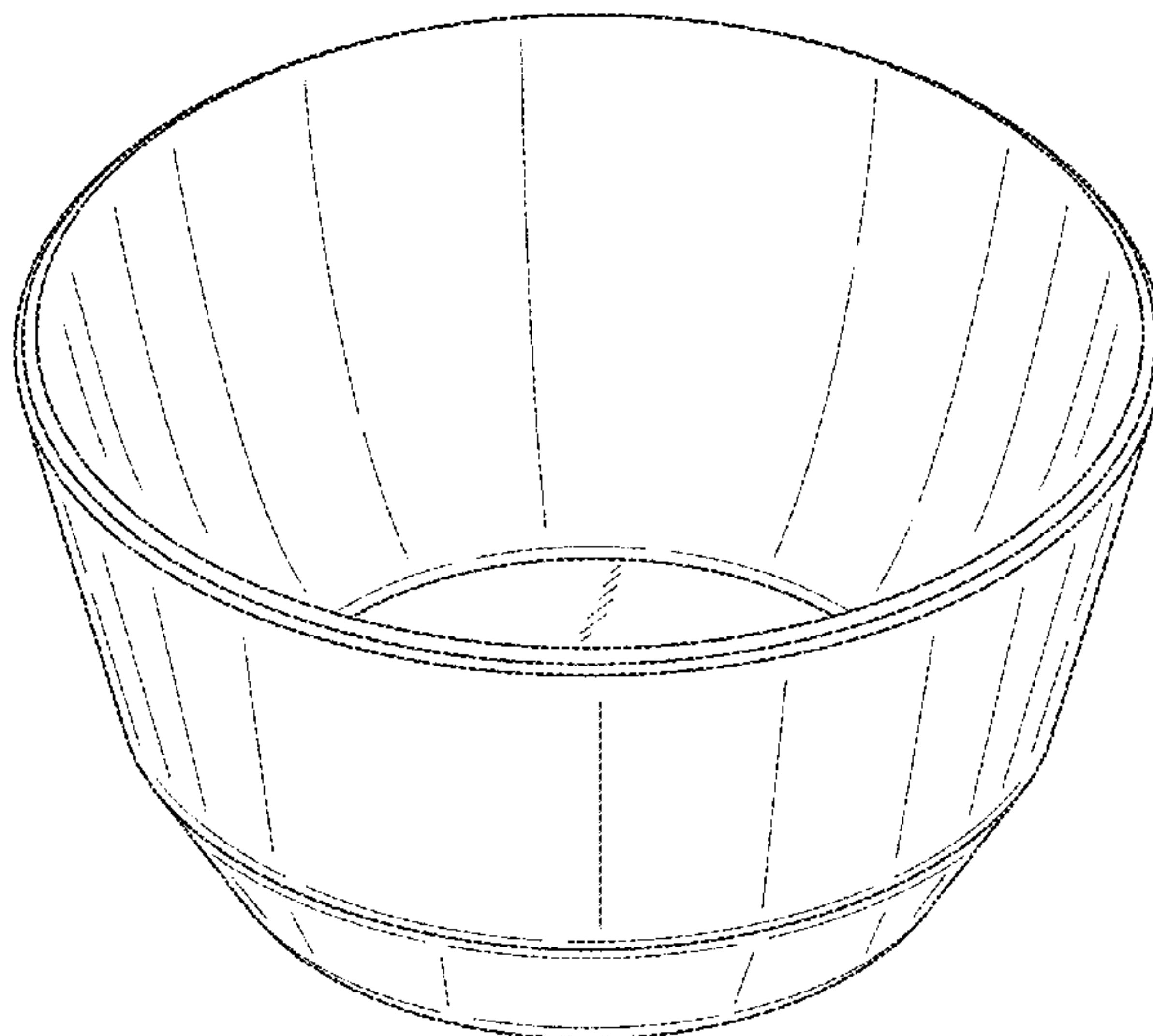
FIG. 4 is a cross-sectional view thereof taken along the line 4-4 in FIG. 3;

FIG. 5 is a top view thereof; and,

FIG. 6 is a bottom view thereof.

The features shown in broken lines are portions of the bowl forming no part of the claimed design. The features shown in long dash-short dash bolded broken lines indicate the bounds of the claimed design and otherwise form no part of the claimed design.

1 Claim, 6 Drawing Sheets



(56)

References Cited

U.S. PATENT DOCUMENTS

D340,385 S 10/1993 Durand
 5,501,038 A * 3/1996 Gregoranto 47/70
 5,916,614 A 6/1999 Gorlich
 D456,673 S 5/2002 Kerman
 D468,590 S 1/2003 Jalet et al.
 D484,365 S 12/2003 Wyche
 D487,672 S 3/2004 Cote et al.
 D491,019 S * 6/2004 Marsden et al. D7/523
 D495,928 S 9/2004 Laib
 D503,310 S * 3/2005 Jalet et al. D7/586
 6,986,437 B2 1/2006 Jalet et al.
 D542,098 S 5/2007 Wasserman et al.
 D545,133 S * 6/2007 Wasserman et al. D7/565
 D575,589 S 8/2008 Fadda
 D575,992 S * 9/2008 LeGreve et al. D7/586
 D578,414 S 10/2008 Owen
 D578,830 S 10/2008 Freeman
 D584,966 S 1/2009 Owen
 D606,452 S * 12/2009 White D11/153
 D607,720 S 1/2010 Masotti et al.
 D611,769 S * 3/2010 Hauser D7/584
 D611,876 S * 3/2010 White D11/148
 D618,513 S 6/2010 Wolhendler
 D618,514 S 6/2010 Wolhendler
 D625,851 S 10/2010 Furner et al.
 D636,946 S 4/2011 Able
 D649,085 S 11/2011 Tremblay et al.
 D658,922 S 5/2012 Fallon et al.

D667,151 S 9/2012 Arslanian
 D670,042 S 10/2012 Anderson
 D670,136 S 11/2012 Williams et al.
 D680,377 S * 4/2013 Romley D7/532
 D693,628 S * 11/2013 Tavenner et al. D7/392.1
 D694,586 S * 12/2013 Miller et al. D7/587

OTHER PUBLICATIONS

“L. C. Tiffany Favrite Wave Bowl”, printed from www.aspireauctions.com/216-231-5515/WebObjects/seauktion...sv2?pageID=1358436682&lotID=22785&wosid=WvzCD8yu11kb4pm2t4sHbw on Jan. 17, 2013 (1 page).
 “Crimson Porcelain Bowl with Dragon and Lotus Petal”, printed from http://treasure.chinese.cn/en/article/2009-10/23/content_77008.htm on Jan. 17, 2013 (2 pages).
 “Home Elemental Amber Bowls”, printed from www.target.com/p/home-elemental-amber-bowls-set-of-4/-/A-13849139#prodSlot=medium_1_54 on Nov. 14, 2012 (2 pages).
 “Mia 16-Piece Dinnerware Set”, printed from www.homedecorators.com/P/Mia_16-Piece_Dinnerware_Set/410/ on Nov. 14, 2012 (2 pages).
 “Room Essentials® Leaf Cereal Bowl”, printed from www.target.com/p/room-essentials-leaf-cereal-bowl-set-of-6-black-and-blue/-/A-13750275#prodSlot=medium_1_36 on Nov. 11, 2012 (1 page).
 “Stripe Melamine Bowl Set of 12”, printed from www.target.com/p/stripe-melamine-bowl-set-of-12-6/-/A-12859285#prodSlot=medium_2_12 on Nov. 14, 2012 (1 page).

* cited by examiner

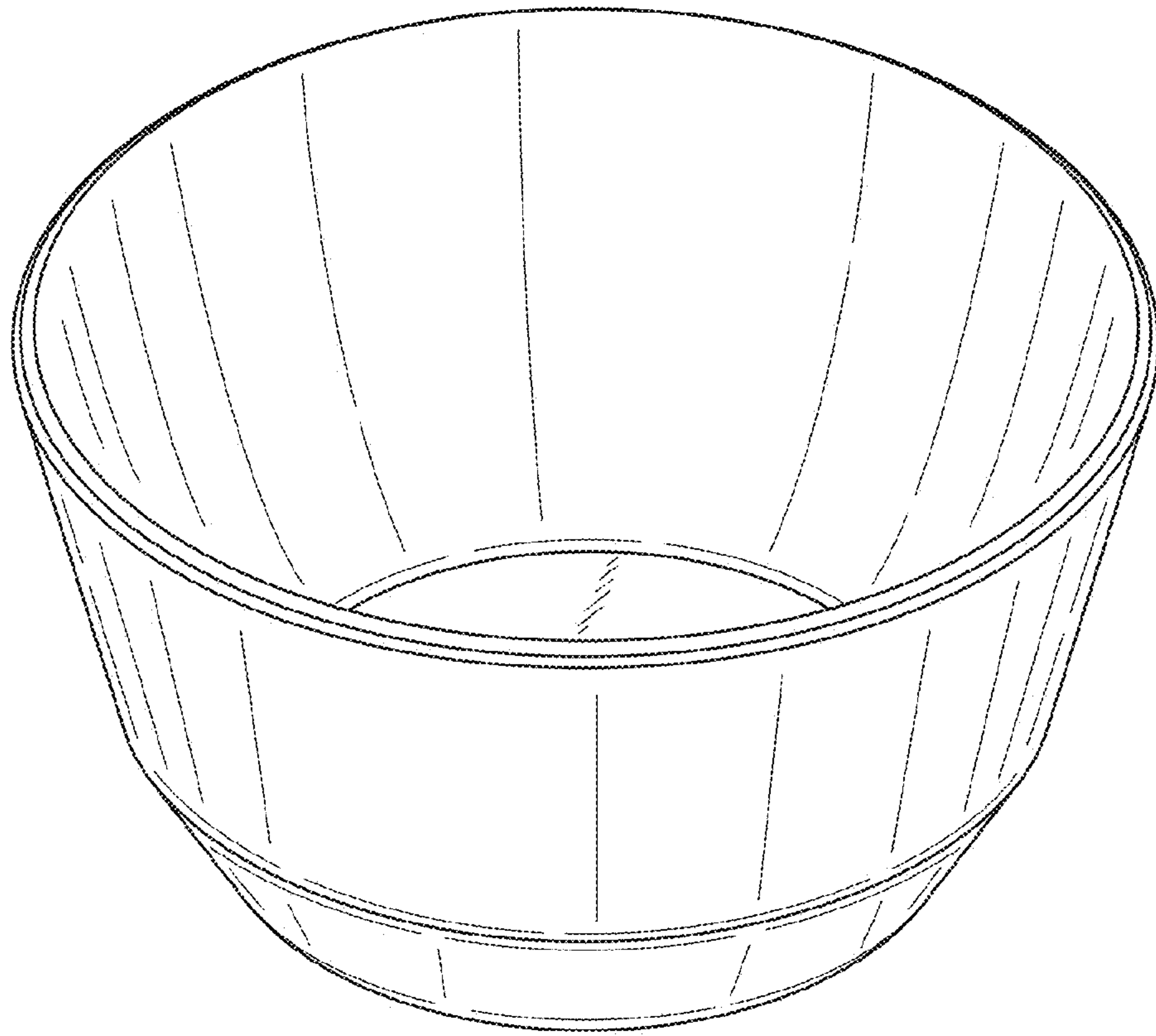


FIG. 1

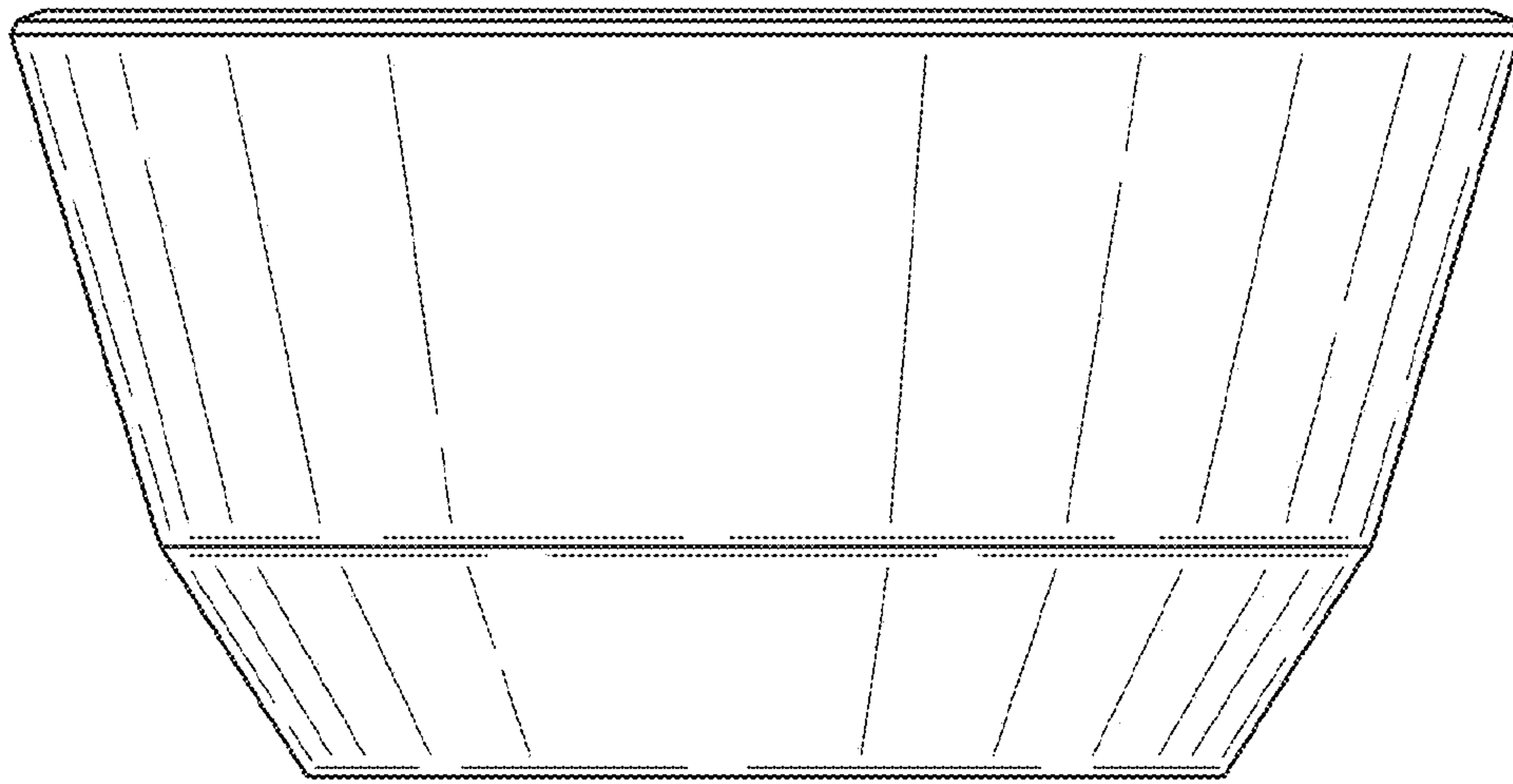


FIG. 2

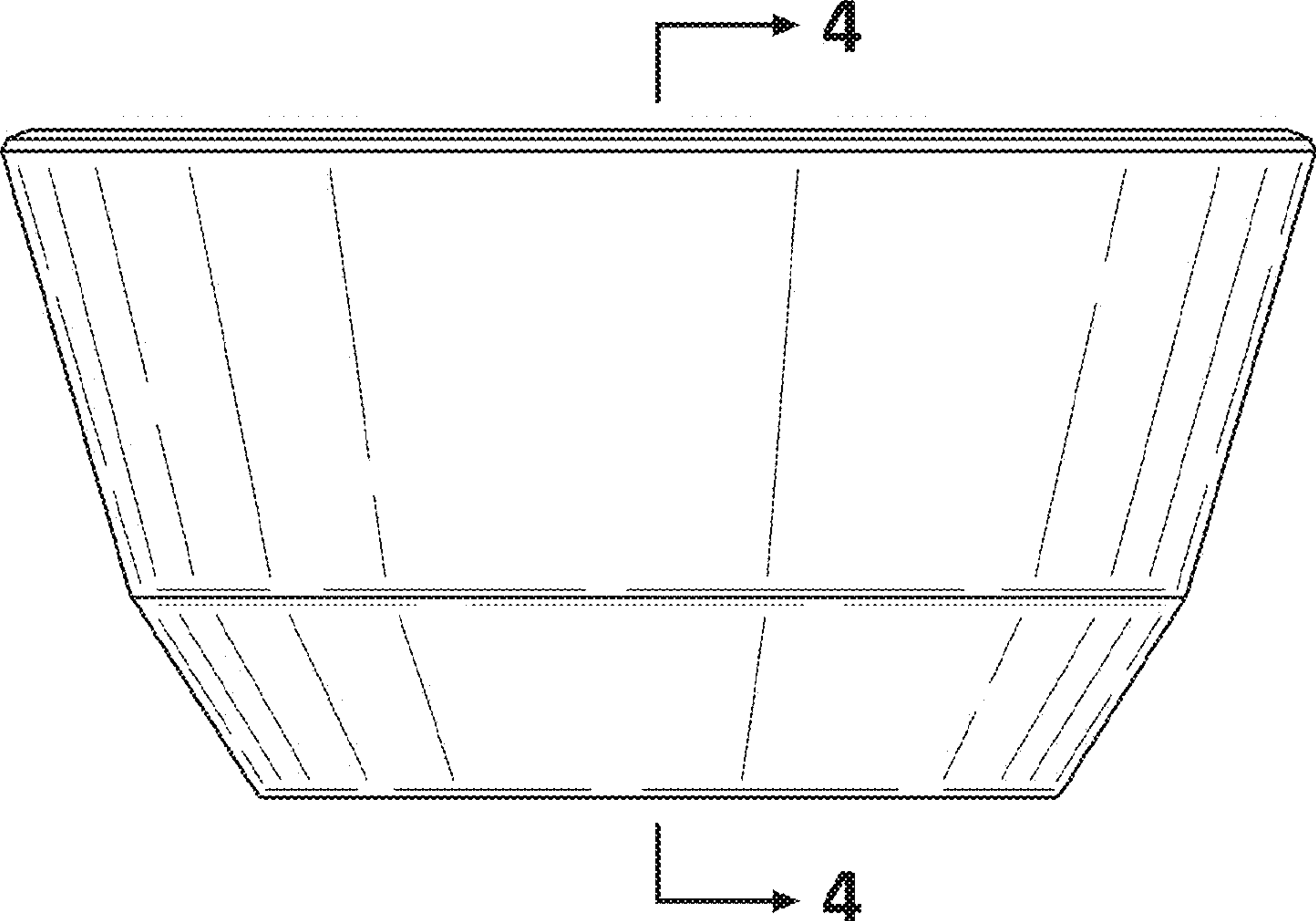


FIG. 3

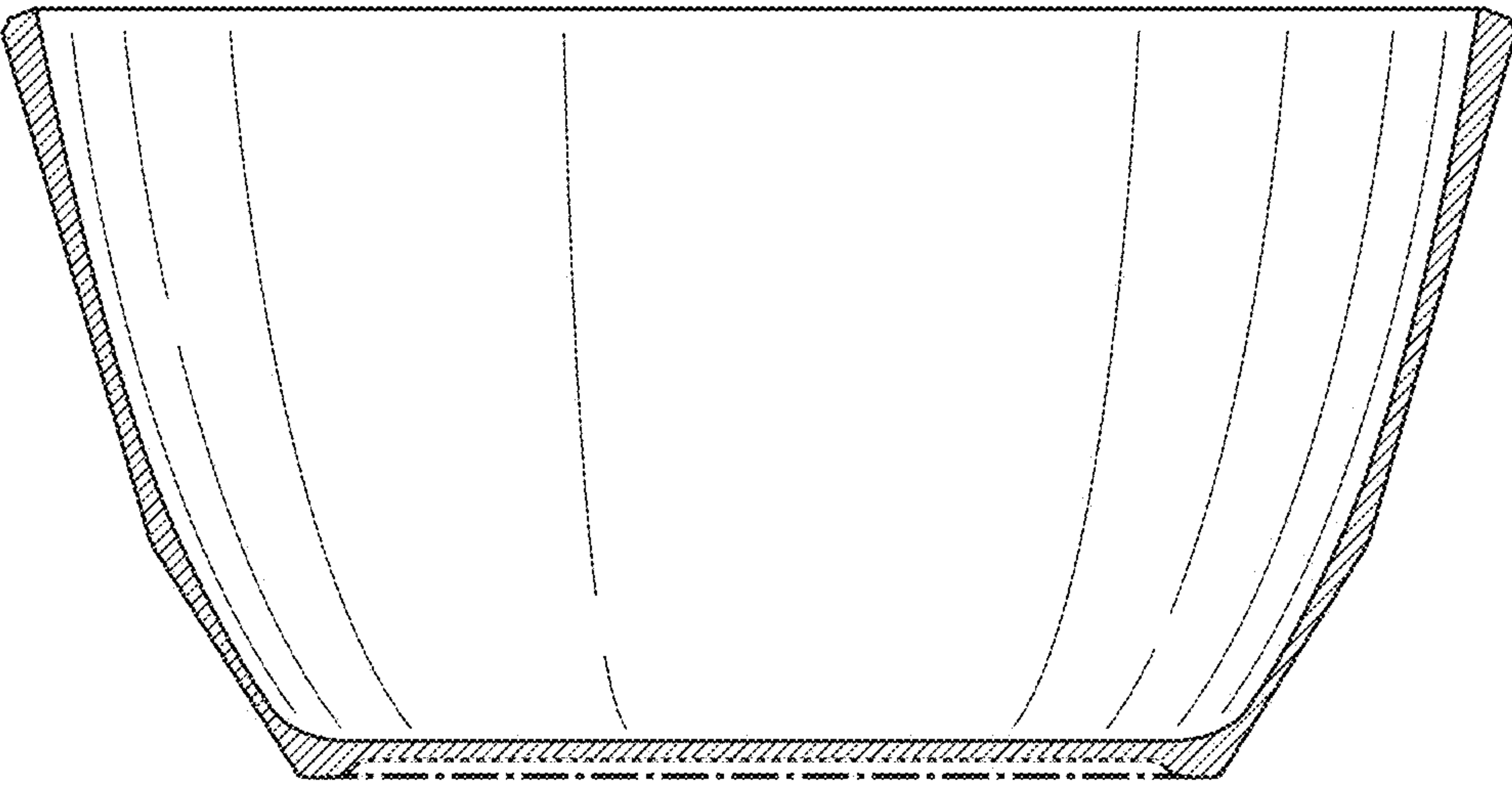


FIG. 4

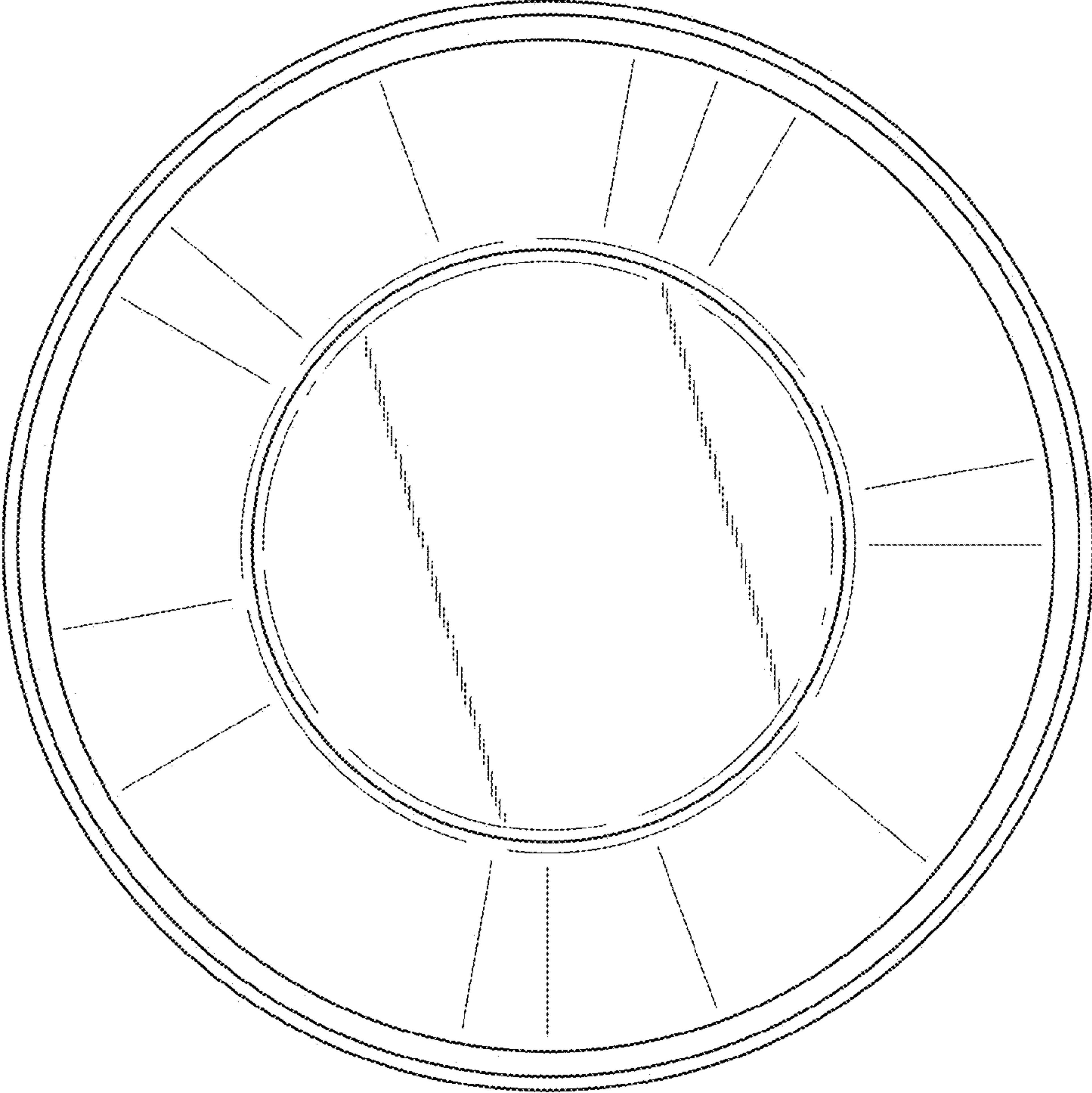


FIG. 5

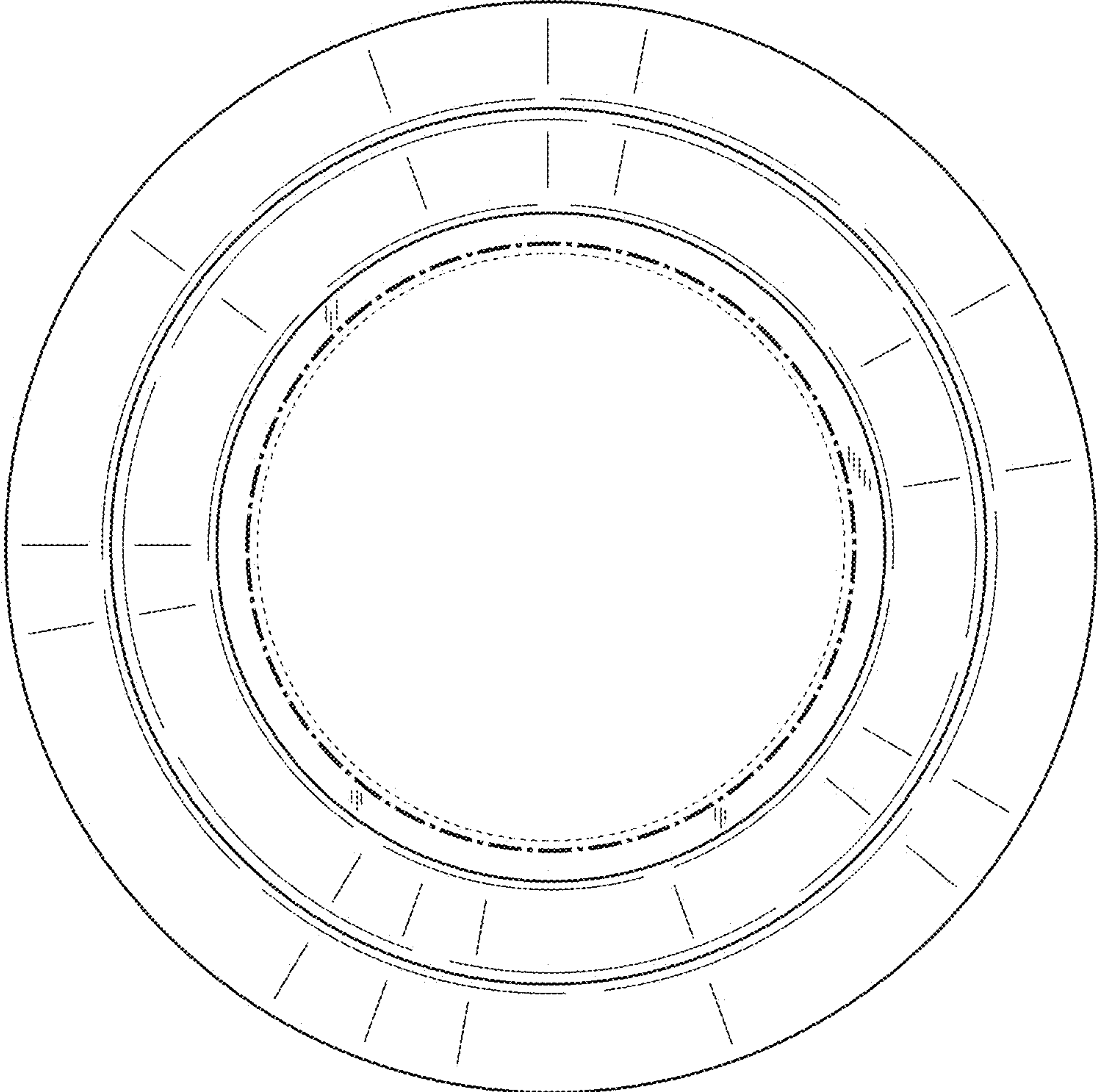


FIG. 6