

US00D699071S

(12) **United States Design Patent**
Munari

(10) **Patent No.:** **US D699,071 S**
(45) **Date of Patent:** **** Feb. 11, 2014**

(54) **COOKWARE HANDLE**
(71) Applicant: **La Termoplastico F.B.M. S.R.L.**, Arsago
Seprio (IT)
(72) Inventor: **Marco Munari**, Cardano al Campo (IT)
(73) Assignee: **La Termoplastico F.B.M. S.R.L.**, Arsago
Seprio (VA) (IT)

D438,054 S * 2/2001 Munari D7/395
D452,631 S * 1/2002 Knorr D7/395
D490,270 S * 5/2004 Pippel et al. D7/395
D519,316 S * 4/2006 Plichon D7/395
D525,081 S * 7/2006 Munari D7/395
D575,984 S * 9/2008 Coppi D7/393
D590,206 S * 4/2009 Munari D7/395
D617,606 S * 6/2010 Munari D7/395
D618,051 S * 6/2010 Munari D7/395
D618,961 S * 7/2010 Chafai et al. D7/395
D686,873 S * 7/2013 Rae D7/395

(**) Term: **14 Years**
(21) Appl. No.: **29/450,342**
(22) Filed: **Mar. 17, 2013**

* cited by examiner
Primary Examiner — Cynthia M Chin
(74) *Attorney, Agent, or Firm* — Hedman & Costigan, P.C.;
James V. Costigan; Kathleen A. Costigan

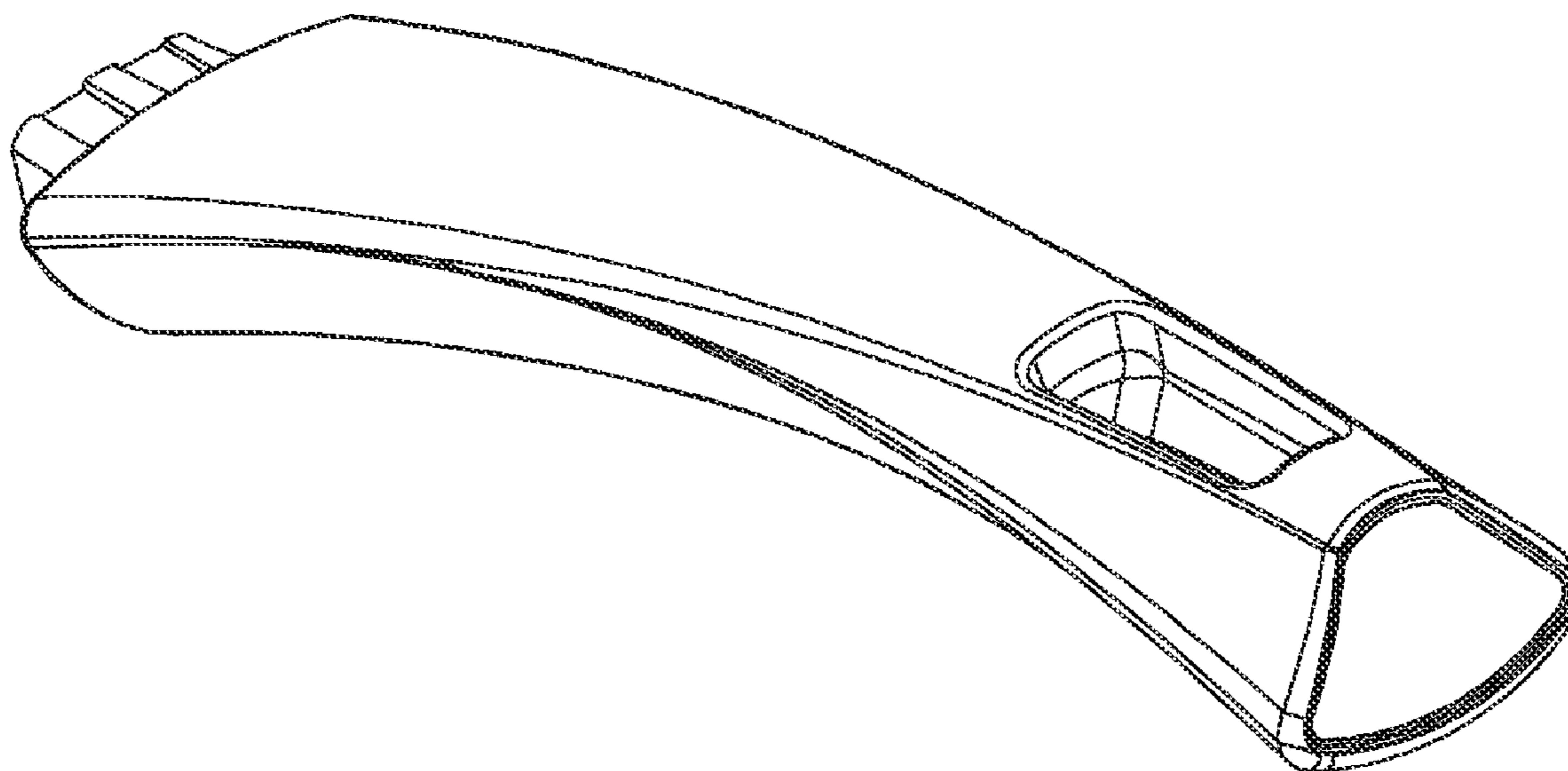
(30) **Foreign Application Priority Data**
Oct. 18, 2012 (EM) 002120758
(51) **LOC (10) Cl.** **07-02**
(52) **U.S. Cl.**
USPC **D7/395**
(58) **Field of Classification Search**
USPC D7/354–361, 393–395, 401.2, 664;
D8/107, 300, 303, 307, 313, 321;
D4/138, 129; 16/421, 430, 431, 110.1,
16/407; 220/573.1–573.5, 752, 753, 755,
220/756, 759, 767, 771, 912
See application file for complete search history.

(57) **CLAIM**
I claim the ornamental design for a cookware handle, as
shown and described.

(56) **References Cited**
U.S. PATENT DOCUMENTS
D326,980 S * 6/1992 Lin D7/395
D376,727 S * 12/1996 Baumgarten D7/395

DESCRIPTION
FIG. 1 is a front, perspective view of a cookware handle
according to the present invention;
FIG. 2 is a front elevational view thereof;
FIG. 3 is a rear elevational view thereof;
FIG. 4 is a left side elevational view thereof;
FIG. 5 is a right side elevational view thereof;
FIG. 6 is top plan view thereof; and,
FIG. 7 is a bottom plan view thereof.
The broken lines represent portions of the article that form no
part of the claim.

1 Claim, 2 Drawing Sheets



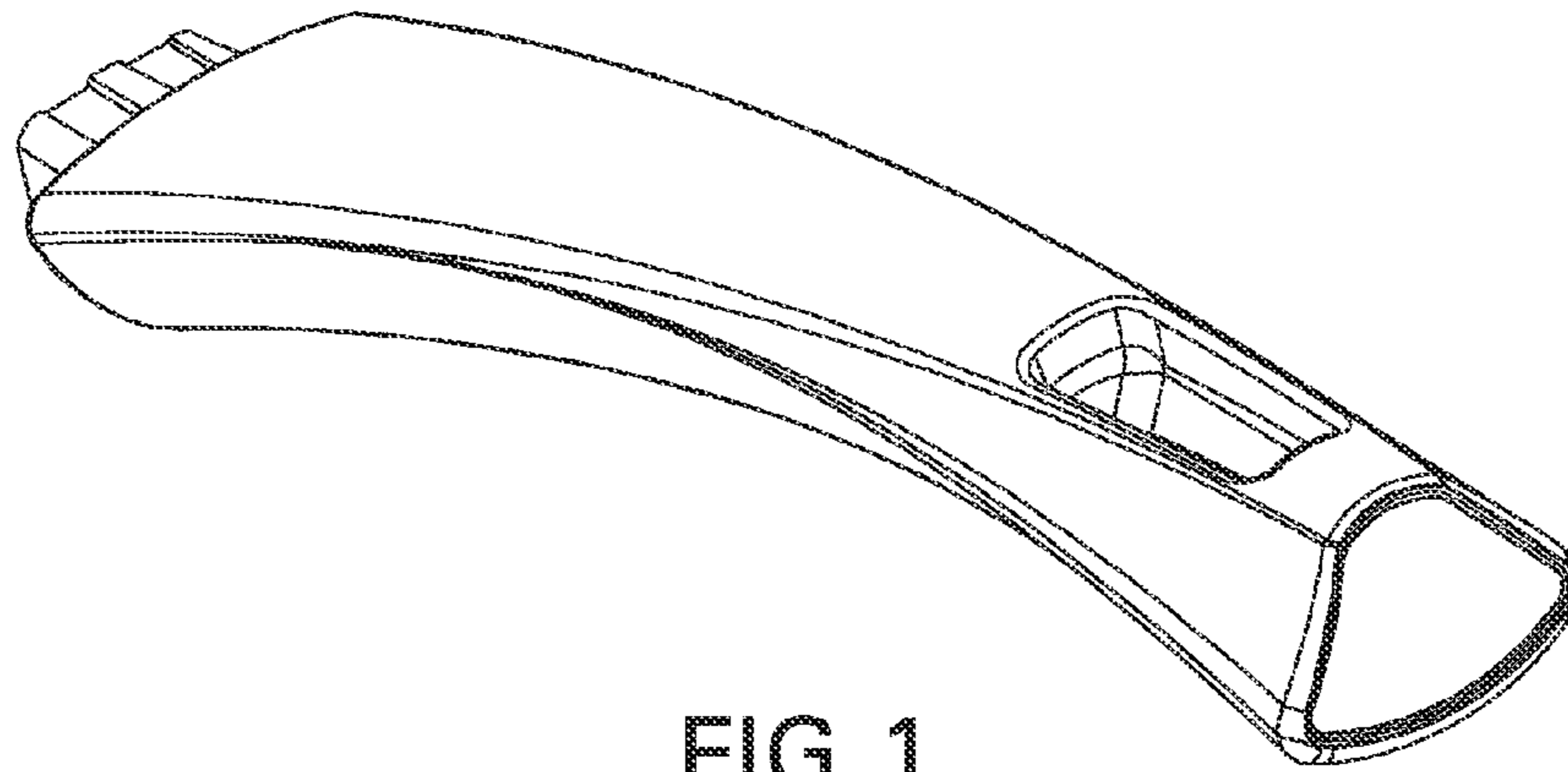


FIG. 1

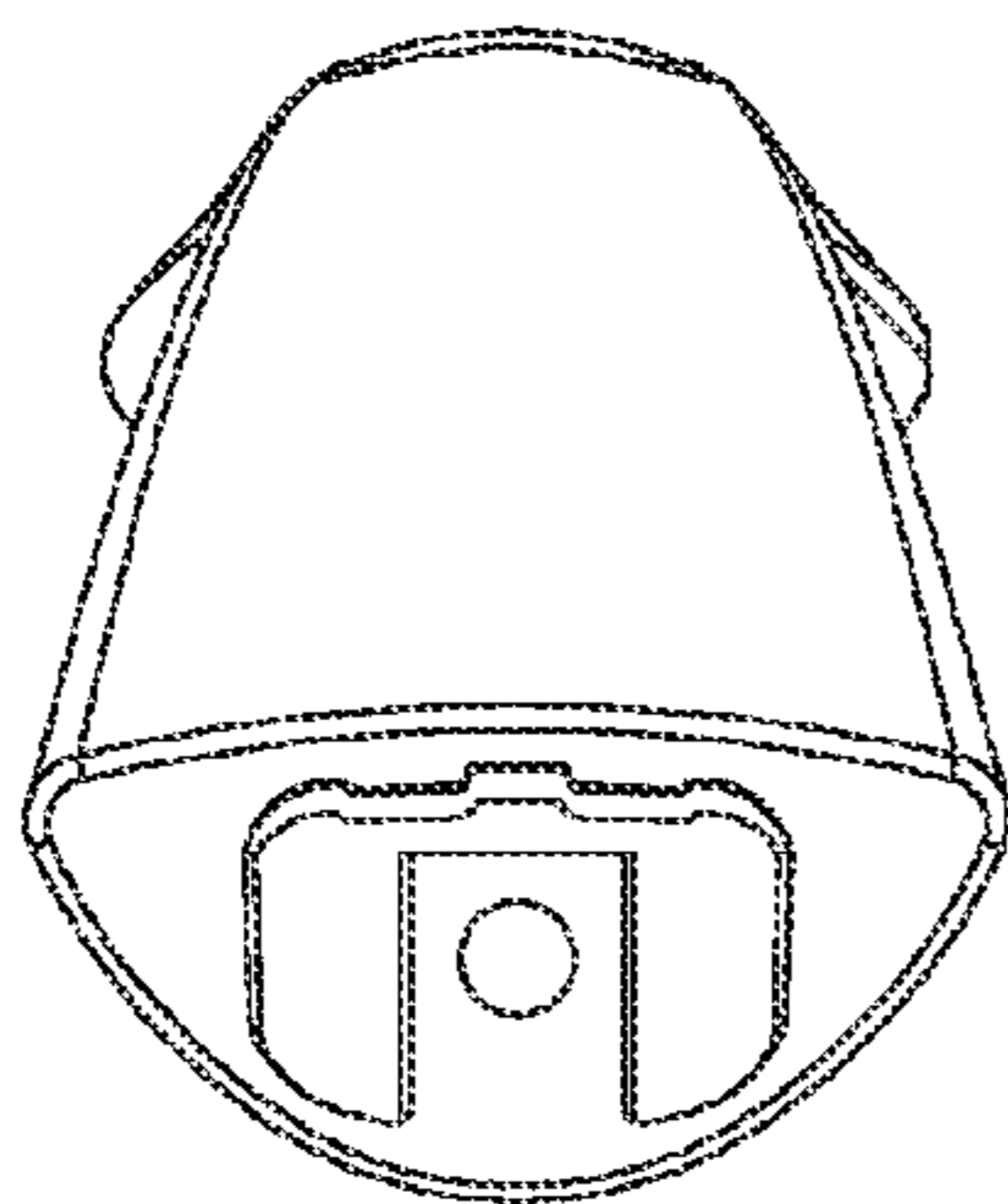


FIG. 2

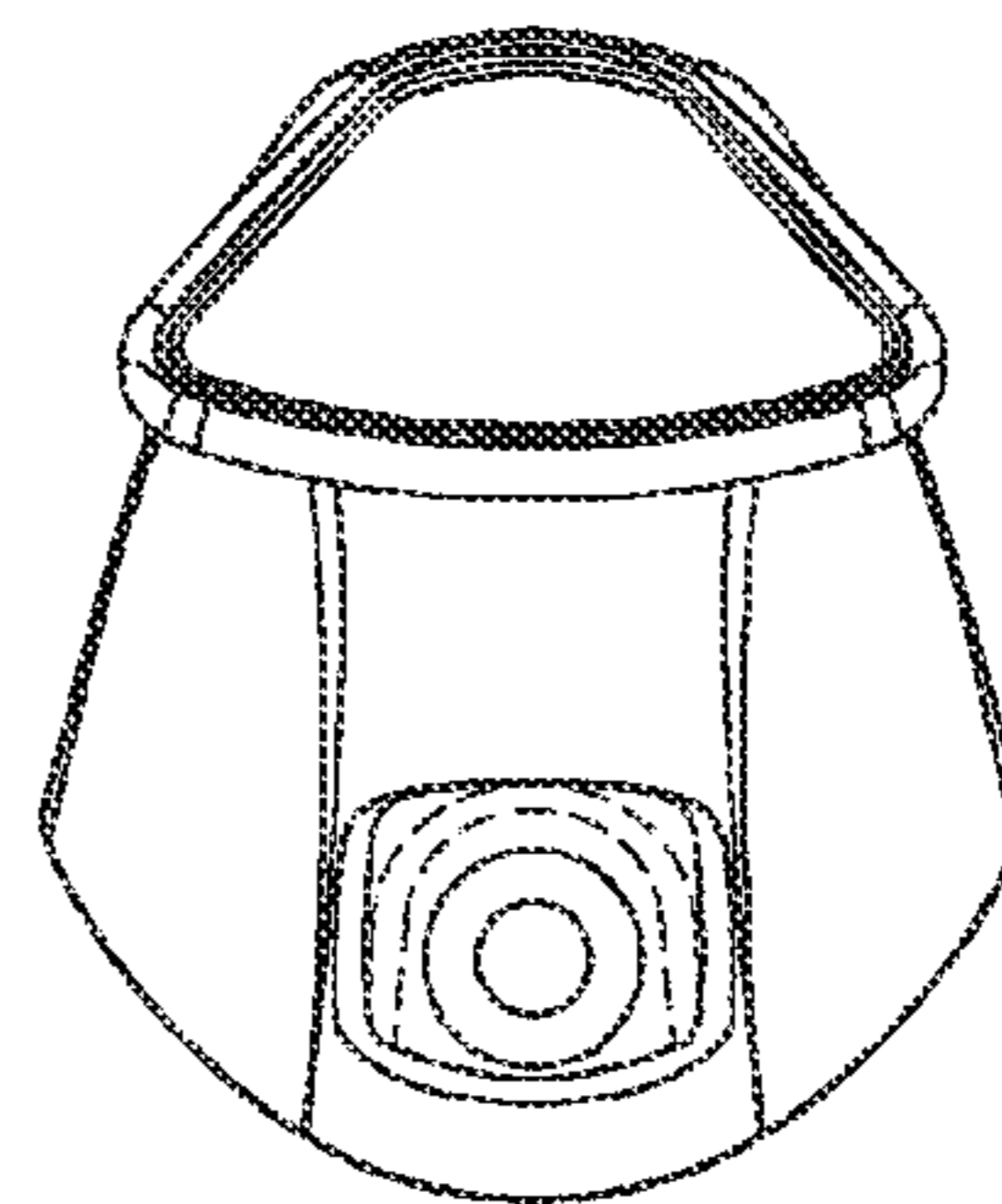


FIG. 3

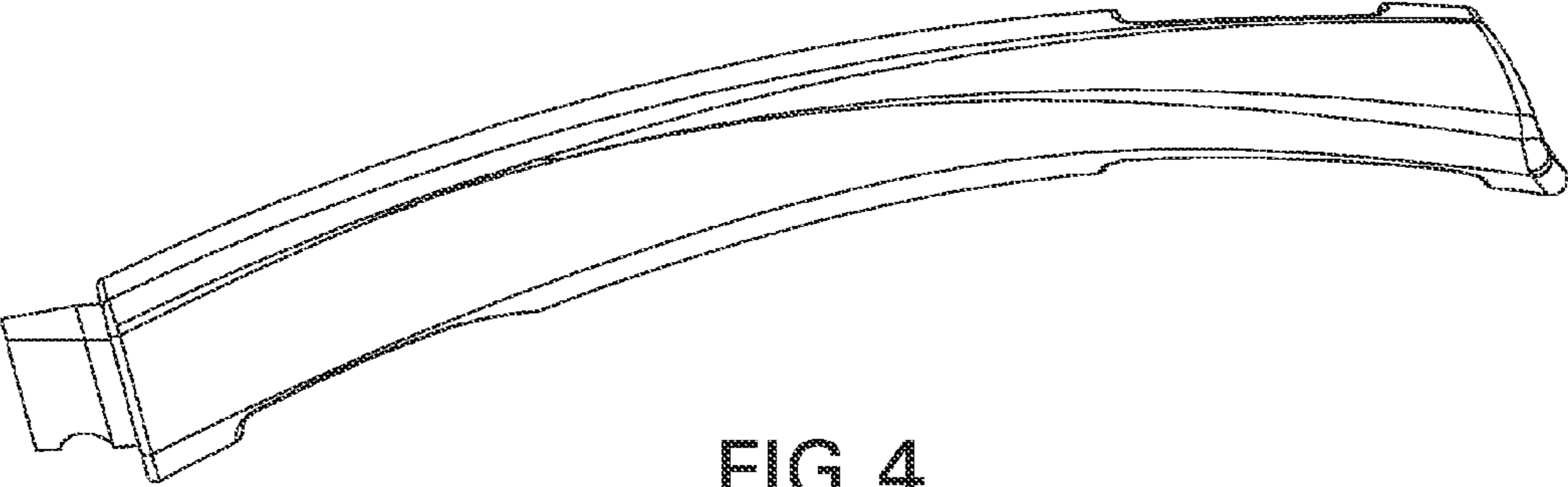


FIG. 4

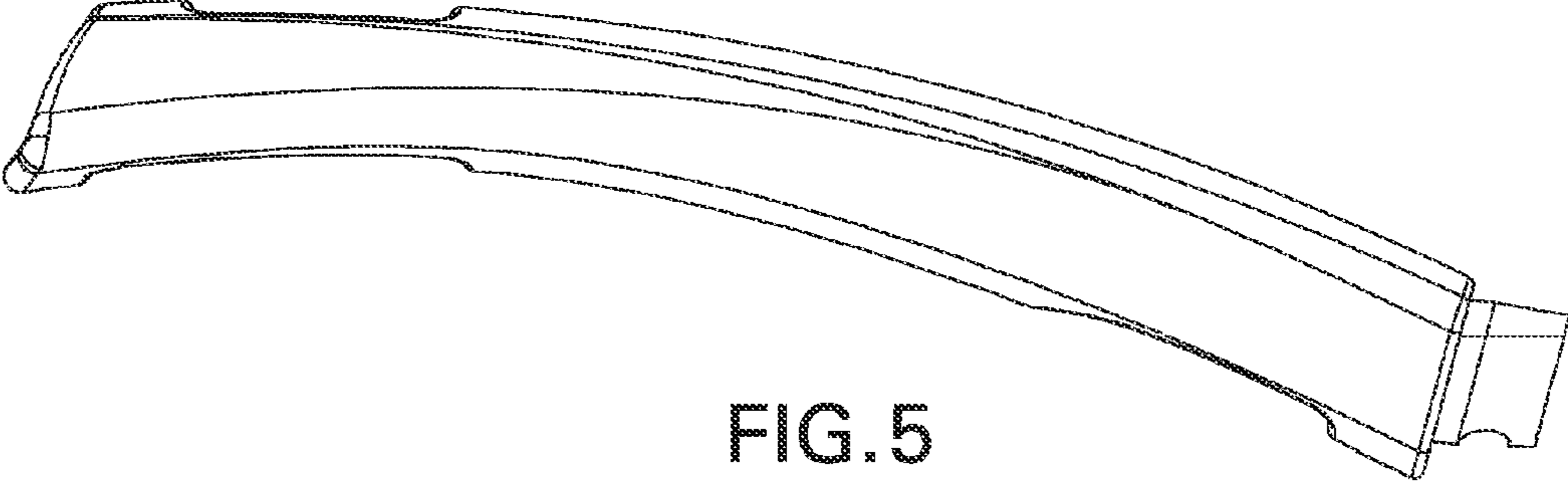


FIG. 5

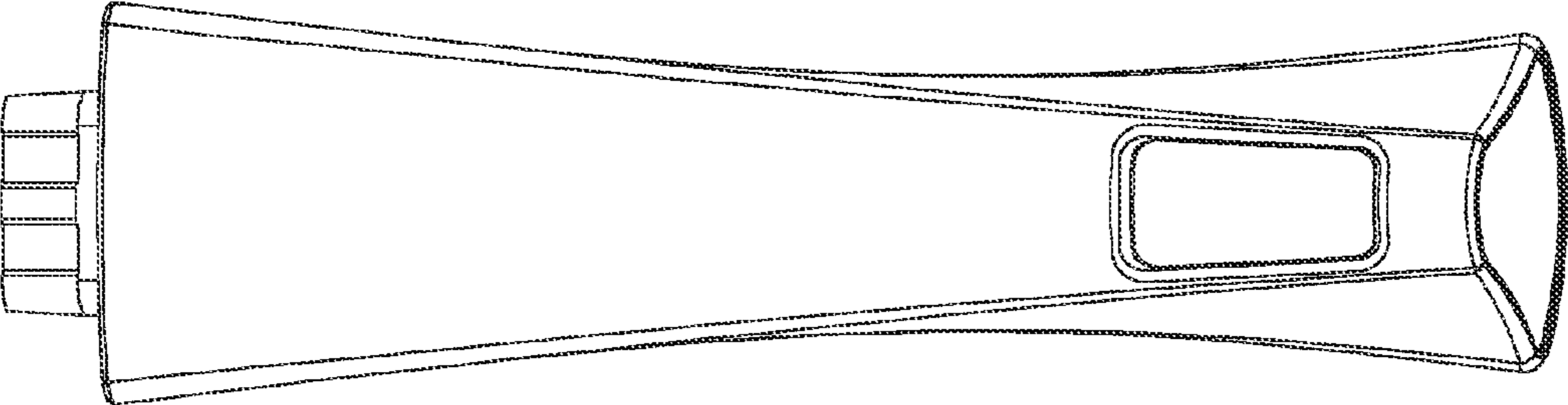


FIG. 6

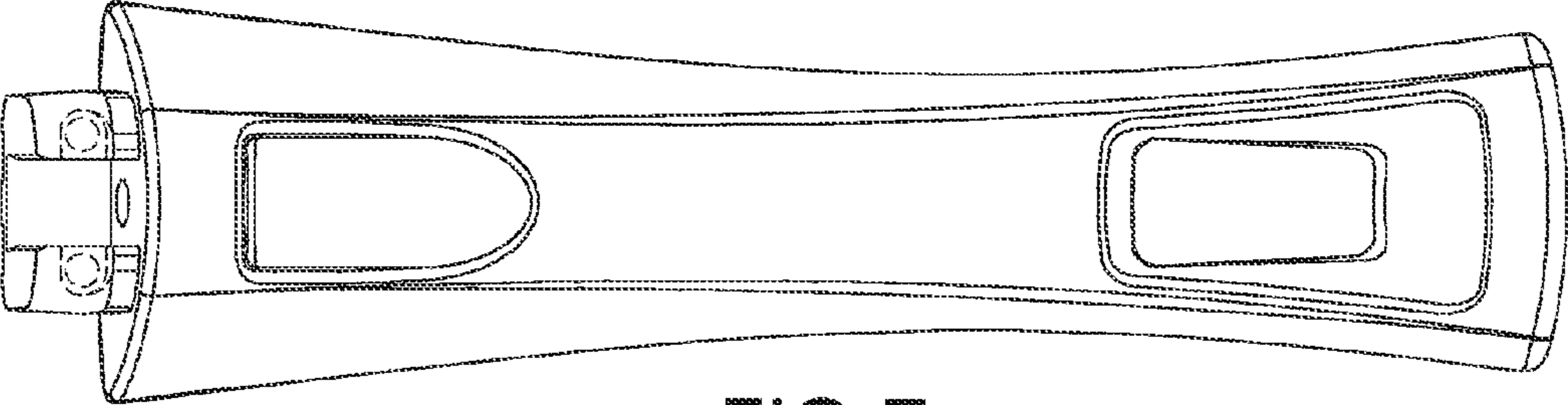


FIG. 7