

US00D699068S

(12) **United States Design Patent**
Dunn et al.

(10) **Patent No.:** **US D699,068 S**
(45) **Date of Patent:** **** Feb. 11, 2014**

(54) **CONTAINER CAP**
(75) Inventors: **Steven B. Dunn**, Beverly Hills, CA (US); **Mark A. Hatherill**, Beverly Hills, CA (US); **Rodolfo Gastelum**, San Pedro, CA (US); **Won Song**, Porter Ranch, CA (US)
(73) Assignee: **Munchkin, Inc.**, Van Nuys, CA (US)
(**) Term: **14 Years**

D609,527 S 2/2010 Roehrig et al.
D609,528 S 2/2010 Roehrig et al.
D620,309 S 7/2010 Boonprasop
D620,315 S 7/2010 Boonprasop
D620,753 S 8/2010 Lane
D624,434 S 9/2010 Schaeffer et al.
D627,598 S 11/2010 Boonprasop
D628,078 S 11/2010 Valderrama et al.
D629,644 S * 12/2010 Zhuang et al. D7/392.1
D640,553 S * 6/2011 Eiteljorg et al. D9/443
D642,437 S 8/2011 Schofield et al.
D644,067 S * 8/2011 Valderrama et al. D7/534

(Continued)

(21) Appl. No.: **29/374,845**

OTHER PUBLICATIONS

(22) Filed: **Oct. 14, 2011**

U.S. Appl. No. 13/192,438, filed Jul. 27, 2011, Steven B. Dunn, et. al.

(51) **LOC (10) Cl.** **07-02**

(Continued)

(52) **U.S. Cl.**

USPC **D7/392.1**

Primary Examiner — Susan E Krakower

(58) **Field of Classification Search**

USPC D7/391, 392, 392.1, 396.2, 509–511, D7/523, 608, 900; D9/443, 446, 447, 449, D9/450, 453, 505; 215/11.6, 44, 224, 229, 215/306, 311; 220/3.75, 23.83, 212.5, 292, 220/714, 705; 222/83, 420, 450, 530, 543

(74) *Attorney, Agent, or Firm* — Robert Z. Evora, Esq.

(57) **CLAIM**

The ornamental design for a container cap, as shown and described.

See application file for complete search history.

DESCRIPTION

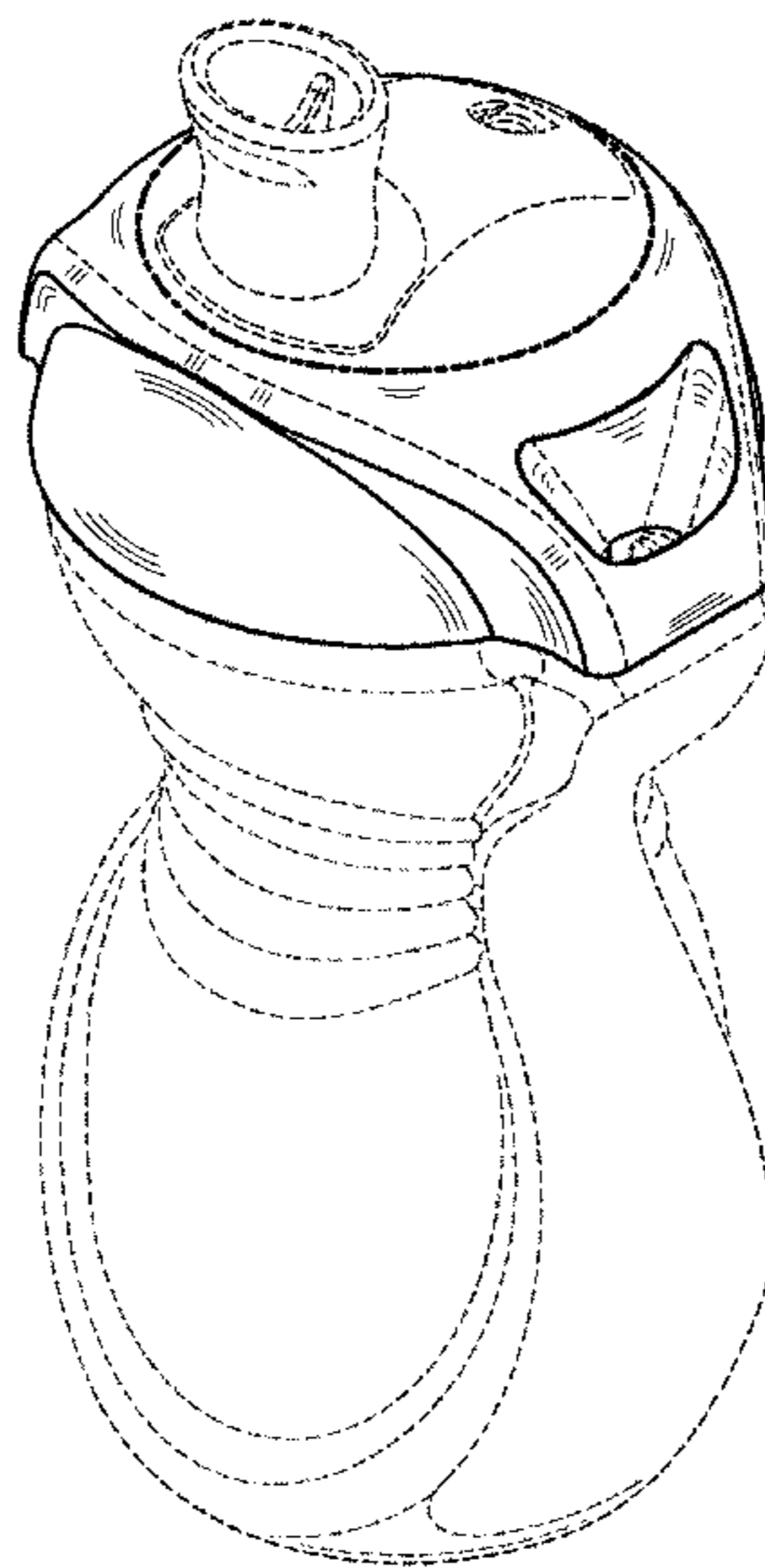
(56) **References Cited**

U.S. PATENT DOCUMENTS

4,485,963 A 12/1984 Panicci
5,147,066 A 9/1992 Snider
D345,673 S * 4/1994 Dark D7/392.1
D461,361 S * 8/2002 Orr et al. D7/392.1
D486,996 S 2/2004 Karp
6,783,020 B2 8/2004 Featherston et al.
6,880,713 B2 4/2005 Holley, Jr.
D576,450 S * 9/2008 Roth et al. D7/629
D580,227 S * 11/2008 Roth et al. D7/510
D584,102 S * 1/2009 Valderrama et al. D7/392.1
D608,148 S 1/2010 Lane
7,651,005 B2 1/2010 Nguyen et al.

FIG. 1 is a top, front, and right side perspective view of a container cap showing our new design;
FIG. 2 is an exploded perspective view of our new design shown with the container cap in an open position;
FIG. 3 is a front view of the container cap;
FIG. 4 is a right side view of the container cap;
FIG. 5 is a top view of the container cap; and,
FIG. 6 is a bottom view of the container cap.
The broken lines shown in the drawings represent environmental structure in FIGS. 1-6 that form no part of the claimed design. The dot-dash-dot lines shown in FIGS. 1-5 represent the boundary of the claim.

1 Claim, 4 Drawing Sheets



(56)

References Cited

U.S. PATENT DOCUMENTS

D652,248 S * 1/2012 Valderrama et al. D7/392.1
D656,788 S 4/2012 Sakulsacha
8,317,050 B2 * 11/2012 Hollis et al. 220/254.3
D671,793 S * 12/2012 Hakim D7/392.1
2004/0060212 A1 4/2004 Murphy et al.
2004/0124196 A1 7/2004 Ziegler
2004/0200797 A1 10/2004 Hicks et al.
2005/0242103 A1 11/2005 Thomas et al.

2006/0213912 A1 9/2006 Zaytoun
2009/0071962 A1 3/2009 Lindsay
2009/0242562 A1 10/2009 Valderrama et al.
2010/0051572 A1 3/2010 Beecroft et al.
2010/0147862 A1 6/2010 Keefe et al.
2012/0305582 A1 * 12/2012 Dunn et al. 220/714

OTHER PUBLICATIONS

U.S. Appl. No. 13/192,440, filed Jul. 27, 2011, Steven B. Dunn, et. al.
U.S. Appl. No. 13/192,441, filed Jul. 27, 2011, Steven B. Dunn, et. al.

* cited by examiner

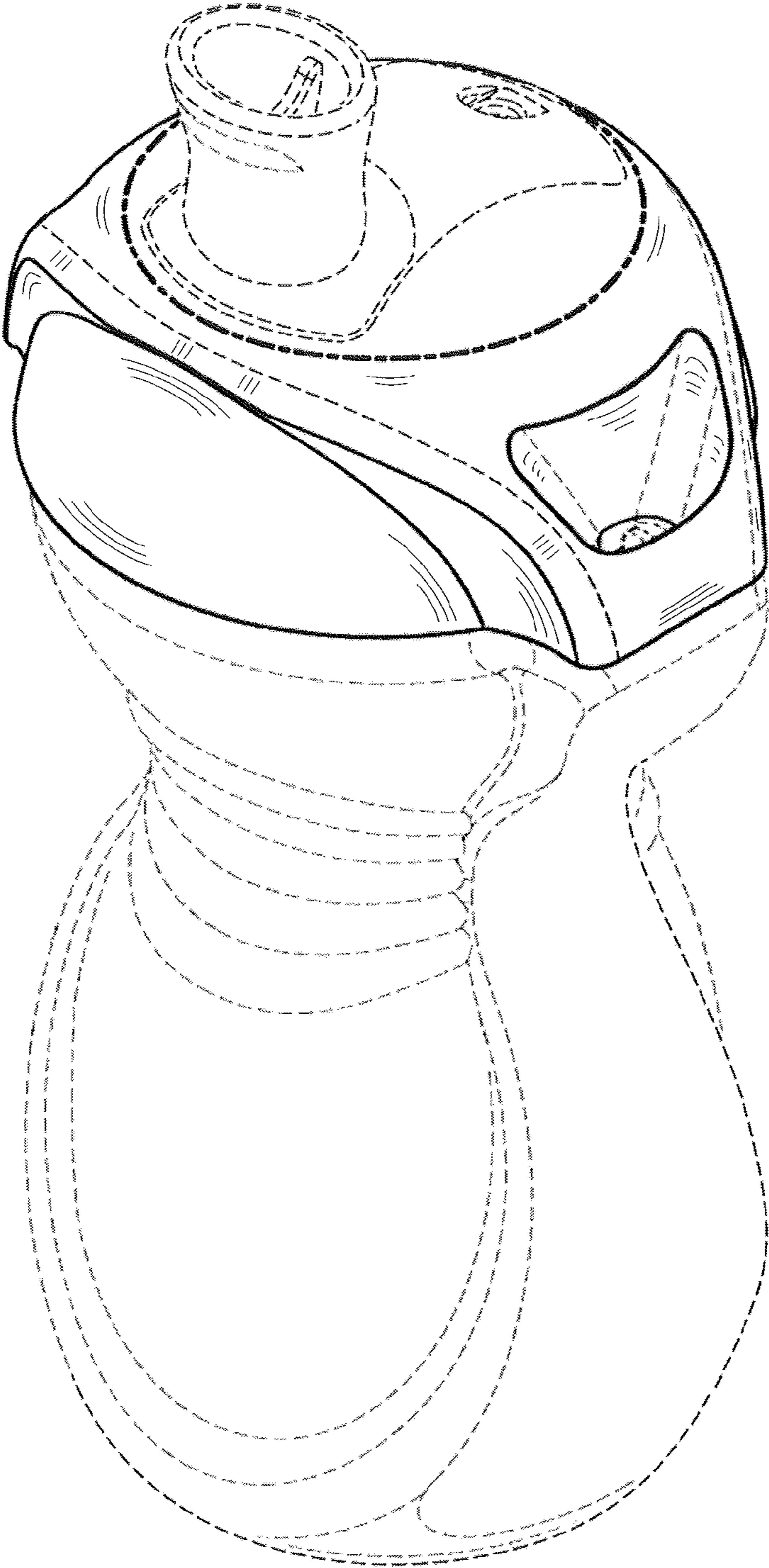


FIG. 1

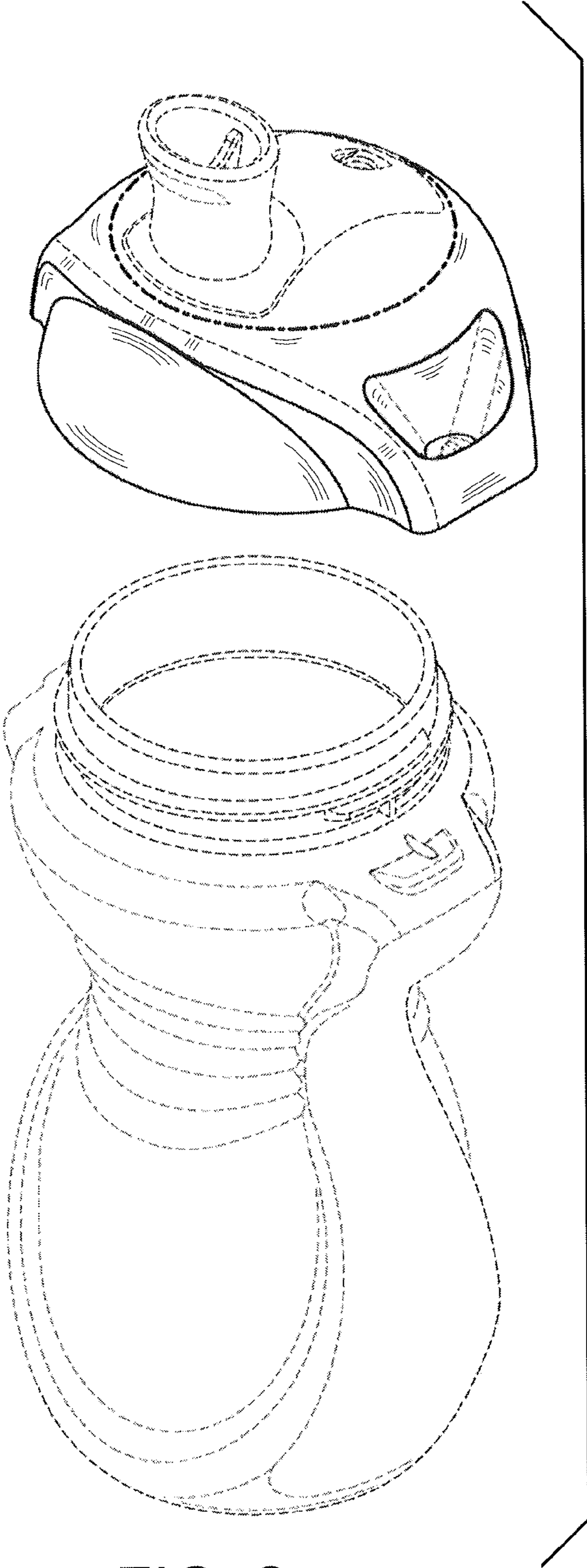


FIG. 2

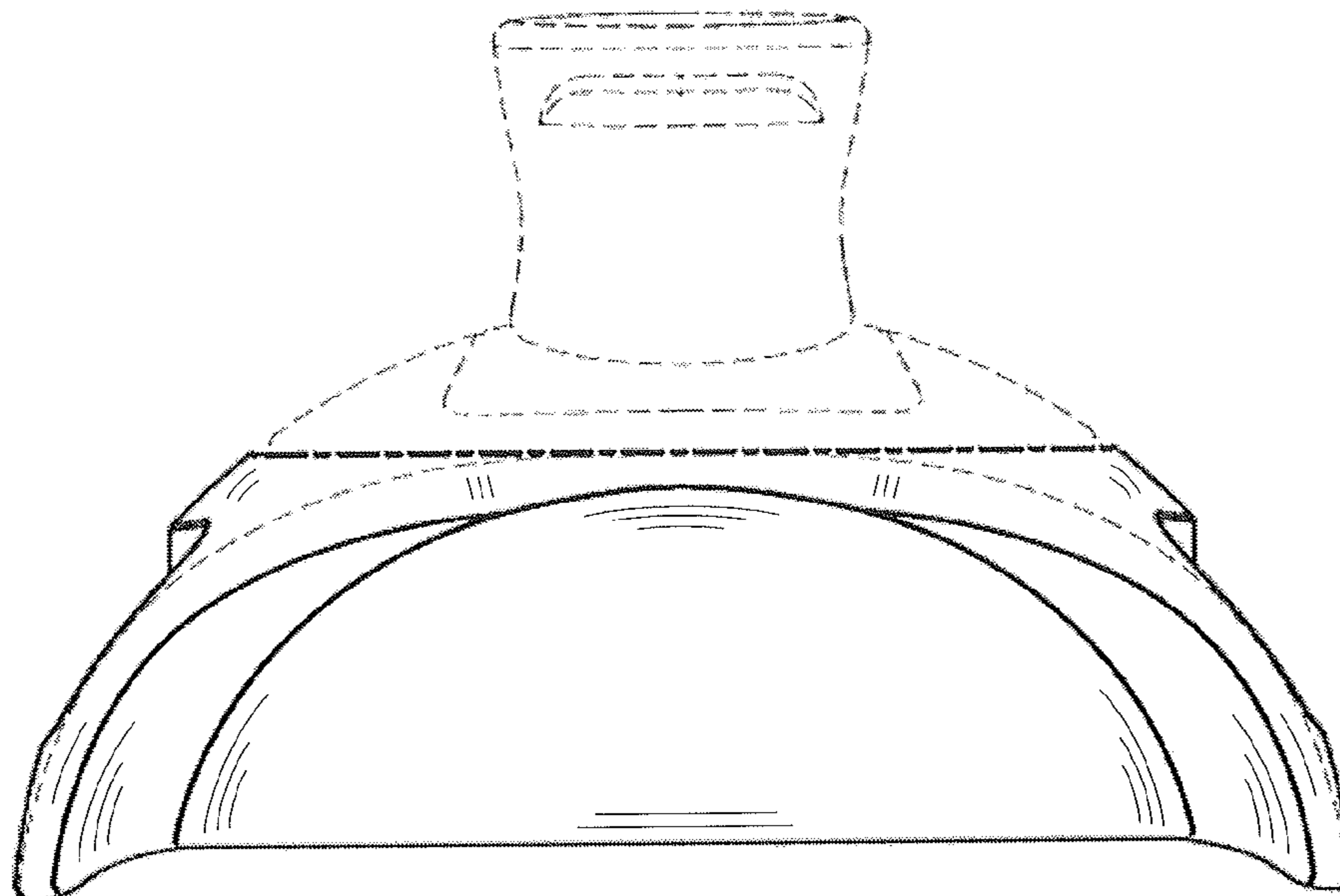


FIG. 3

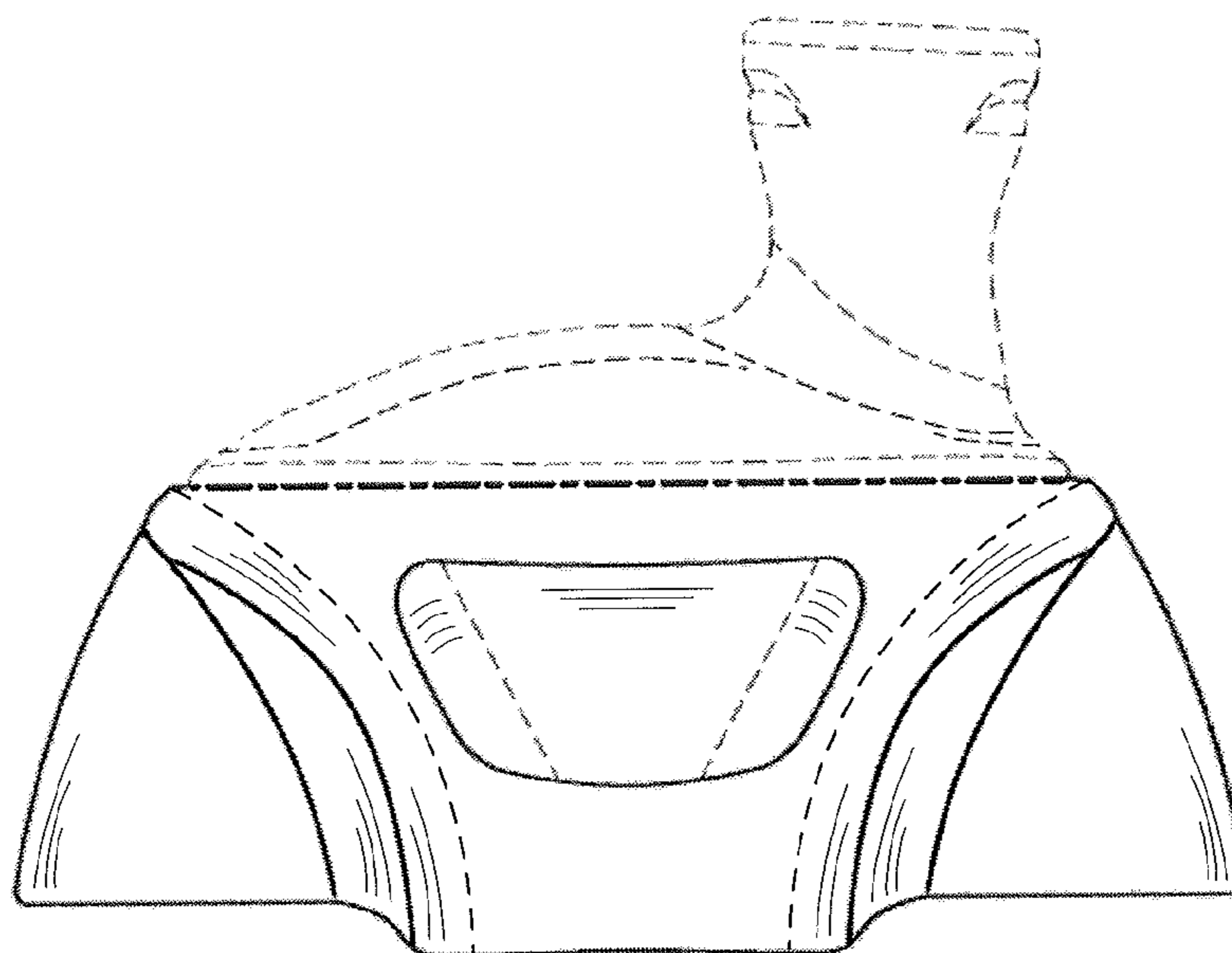


FIG. 4

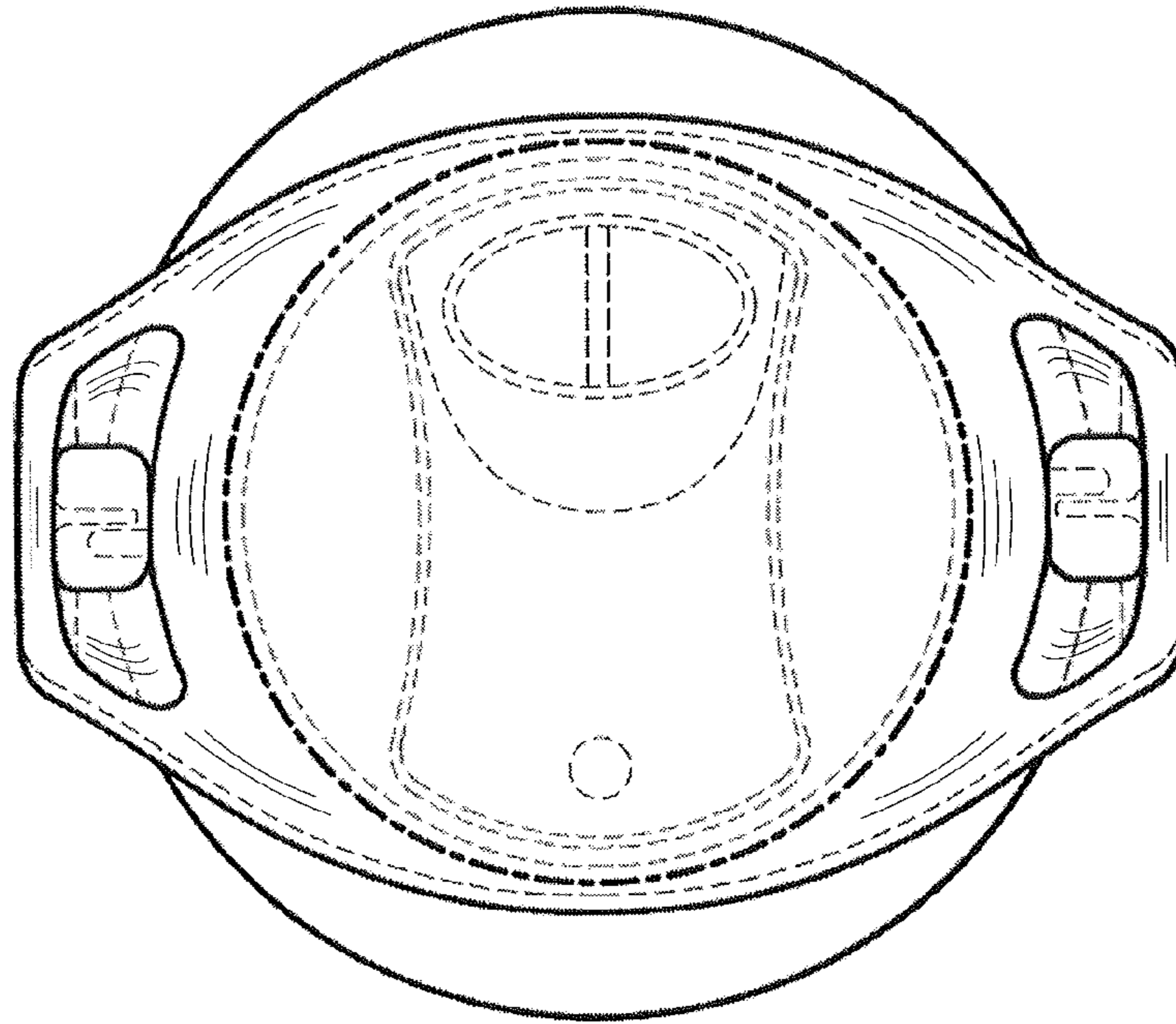


FIG. 5

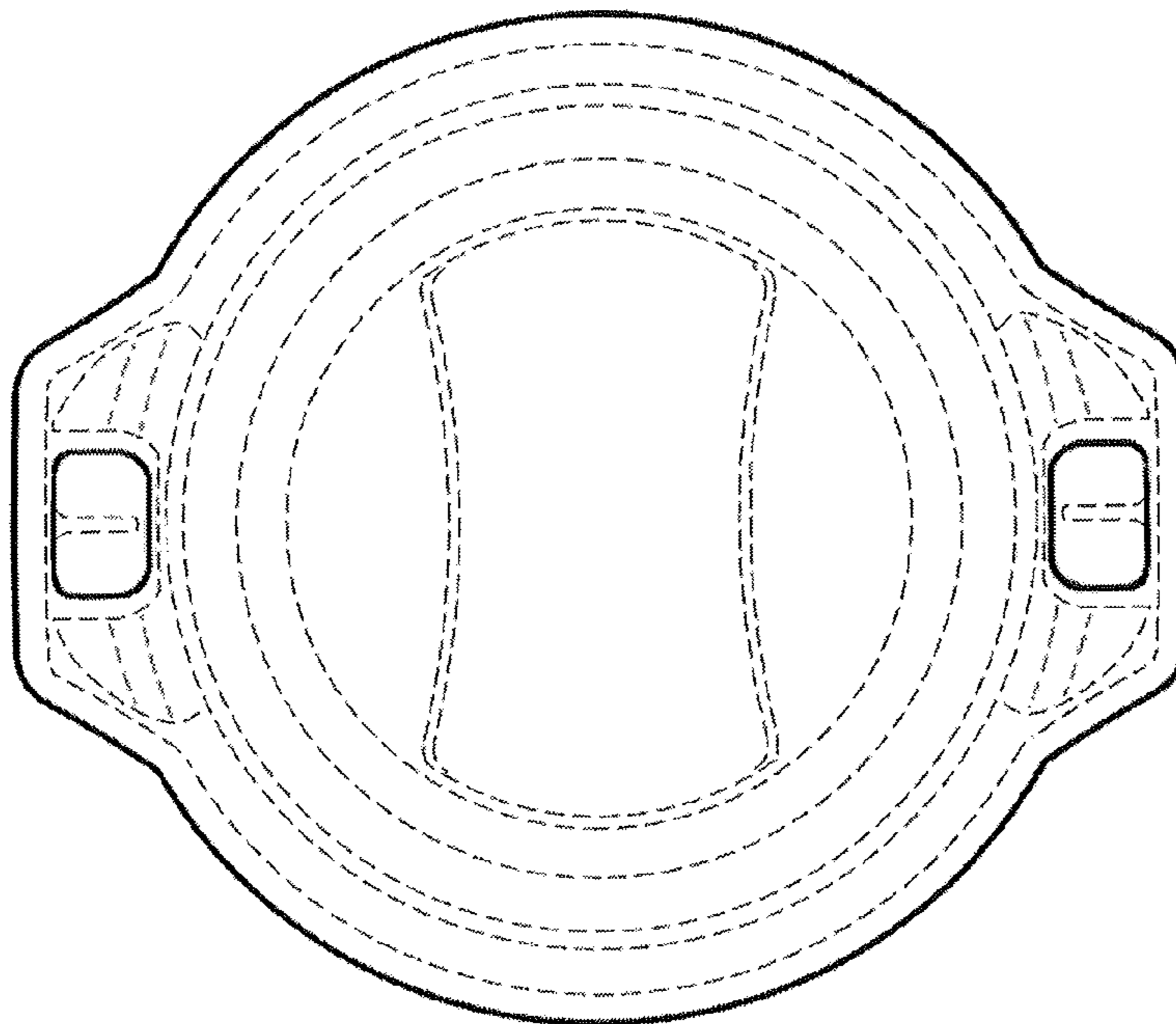


FIG. 6