

US00D699067S

(12) **United States Design Patent**
Cheng et al.

(10) **Patent No.:** **US D699,067 S**
(45) **Date of Patent:** **** Feb. 11, 2014**

(54) **COOKWARE VESSEL WITH DECORATIVE RIM AND EXTERIOR**

(75) Inventors: **Stanley Kin Sui Cheng**, Hillsborough, CA (US); **Vincent Chi-seng Cheng**, Hillsborough, CA (US); **Homer Hin Hang Cheung**, Hong Kong (CN)

(73) Assignee: **Meyer Intellectual Properties Limited** (VG)

(**) Term: **14 Years**

(21) Appl. No.: **29/395,597**

(22) Filed: **Feb. 24, 2012**

(51) **LOC (10) Cl.** **07-02**

(52) **U.S. Cl.**
USPC **D7/354**

(58) **Field of Classification Search**
USPC D7/307, 323, 329–332, 339, 346–347, D7/350.1–350.4, 353–367, 391, 393, 395, D7/402, 406, 409, 538, 542–545, 565, D7/584–587, 602; D9/500; D26/6; D30/129; 99/324–325, 331–332, 99/337–343, 369, 400–418, 422, 425, 444, 99/451, 483; 126/37 R, 261, 374.1, 378.1; 206/501–505, 507–508; 219/400, 405, 219/429–442, 620–624, 725, 730–735; 220/203.05, 203.07, 203.09, 298, 220/315–316, 573.1–573.5, 792, 912; 229/407; 426/438, 441; 428/613
See application file for complete search history.

(56) **References Cited**

U.S. PATENT DOCUMENTS

D345,892 S *	4/1994	Heiberg et al.	D7/543
D383,646 S *	9/1997	Jeppesen et al.	D7/584
D394,188 S *	5/1998	Reynaert et al.	D7/584
D394,189 S *	5/1998	Reynaert et al.	D7/584
D394,513 S *	5/1998	Davis	D26/6
D414,375 S *	9/1999	Diulus	D7/354
D426,427 S *	6/2000	Rubbright et al.	D7/565
D449,204 S *	10/2001	Groll	D7/354

6,605,368 B2 *	8/2003	Smith	428/613
D482,562 S *	11/2003	Demers	D7/354
D487,672 S *	3/2004	Cote et al.	D7/545
D509,106 S *	9/2005	de Groote et al.	D7/587
D571,607 S *	6/2008	Stattmann	D7/361
D573,414 S *	7/2008	Bellon	D7/602
D588,861 S *	3/2009	Cheng	D7/361
D606,404 S *	12/2009	Diss	D9/500
D606,405 S *	12/2009	Takata et al.	D9/500
D612,732 S *	3/2010	Takata et al.	D9/500
D618,491 S *	6/2010	Welk et al.	D7/360
D618,495 S *	6/2010	Welk et al.	D7/361
D625,149 S *	10/2010	Stamper	D7/538
D628,443 S *	12/2010	McTaggart	D7/587
D629,246 S *	12/2010	Ruffoni	D7/354
D634,486 S *	3/2011	Graham-Cretcher	D30/129
D668,915 S *	10/2012	Drees	D7/586
2002/0113118 A1 *	8/2002	Littlejohn et al.	229/407

* cited by examiner

Primary Examiner — Ricky Pham

(74) *Attorney, Agent, or Firm* — Edward S. Sherman

(57) **CLAIM**

The ornamental design for a cookware vessel with decorative rim and exterior, substantially as shown and described.

DESCRIPTION

The file of this patent contains at least one drawing executed in color. Copies of this patent with color drawings will be provided by the Office upon request and payment of the necessary fee.

FIG. 1A is a side elevation view of the “cookware vessel with decorative rim and exterior”, showing my new design; whereas FIG. 1B is an enlarged portion of the vessel exterior rim shown as region B in FIG. 1A to better illustrate the contrasting appearance of the exterior rim and exterior body of the vessel;

FIG. 2 is a bottom plan view thereof;

FIG. 3 is a top plan view thereof;

FIG. 4A is a colored side elevation view thereof, intended to supplement FIGS. 1A and 2, showing my new design; whereas FIG. 4B is an enlarged portion of the vessel exterior rim shown as region B in FIG. 4A to better illustrate the contrasting appearance of the exterior rim and exterior body of the vessel;

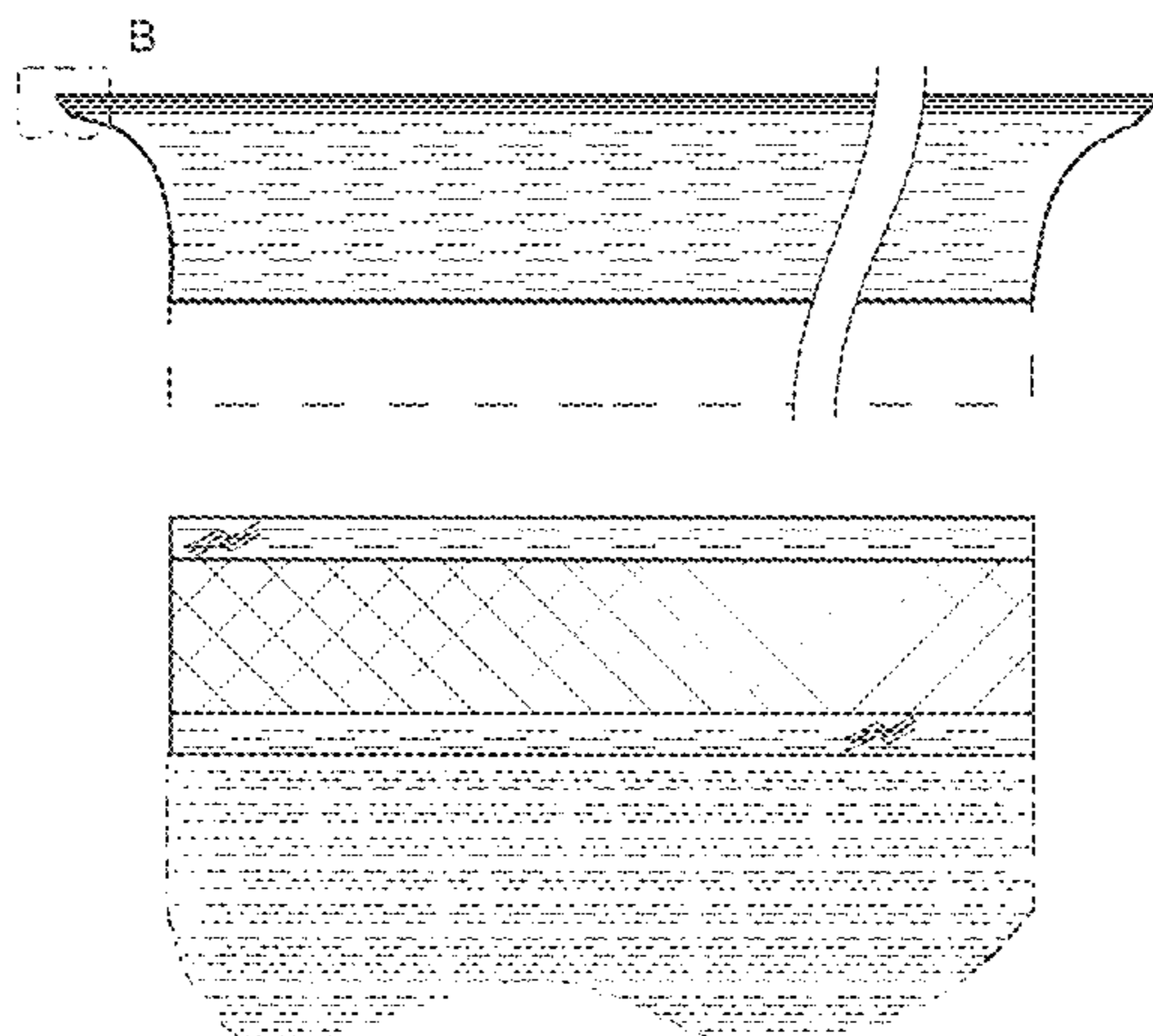


FIG. 5A is a perspective view of another embodiment thereof; whereas FIG. 5B is a colored enlarged portion of the vessel exterior rim shown as region B in FIG. 5A to better illustrate the contrasting appearance of the exterior rim and exterior body of the vessel;

FIG. 6A is a perspective view of another embodiment thereof; whereas FIG. 6B is a colored enlarged portion of the vessel exterior rim shown as region B in FIG. 6A to better illustrate the contrasting appearance of the exterior rim and exterior body of the vessel;

FIG. 7A is a side elevation view of another embodiment thereof showing my new design; whereas FIG. 7B is an enlarged portion of the vessel exterior rim shown as region B in FIG. 7A to better illustrate the contrasting appearance of the exterior rim and exterior body of the vessel;

FIG. 8 is a bottom plan view thereof;

FIG. 9 is a top plan view thereof; and,

FIG. 10A is a colored side elevation view thereof, intended to supplement FIGS. 7A and 8, showing my new design; whereas FIG. 10B is an enlarged portion of the vessel exterior rim shown as region B in FIG. 10A to better illustrate the contrasting appearance of the exterior rim and exterior body of the vessel.

The rim external appearance shown in FIG. 1A-B, 7A-B is an upper or first bright silver colored reflective band, followed by a lower copper colored band, followed by a second bright silver colored reflective band as a third visible layer, whereas the external portion of the vessel below this three layer rim

banded region has a dark grey appearance. The pairs of 3 parallel zig-zag lines in the first and second bright silver colored reflective band are overlaid to represent the reflective nature of the surface, not ornamentation thereon.

The curved vertical breaking line pairs that are separated by a white space in FIGS. 1A, 4A, 7A and 10A are to illustrate that the vessel body may have a variable exterior and internal width.

No claim is made to the interior of the vessel, as the color, appearance and depth of the interior of the vessels are not part of the claimed design.

The broken lines in FIGS. 1-10 are for illustrative purposes only, depicting the environment of the new design, forming no part thereof as claimed, with the bottom portion of the vessel is shown in broken lines in FIGS. 1-4 and 7-10 to illustrate that the vessel body has a variable exterior and internal height.

Moreover, FIGS. 1B and 7B are shaded to represent the rim of the vessel having a layered appearance in which the top layer is a reflective silver color shade, the wider middle layer is a copperish color, and the lower layer is also a reflective silver color shade. The larger external sidewall portions of the vessel have a matt gray color that is darker than the reflective silver color shade of the adjacent rim.

The colors of the design are not limited to the exact hues, brightness and saturation depicted in FIGS. 4-6 and 9-10.

**1 Claim, 10 Drawing Sheets
(4 of 10 Drawing Sheet(s) Filed in Color)**

FIG. 1A

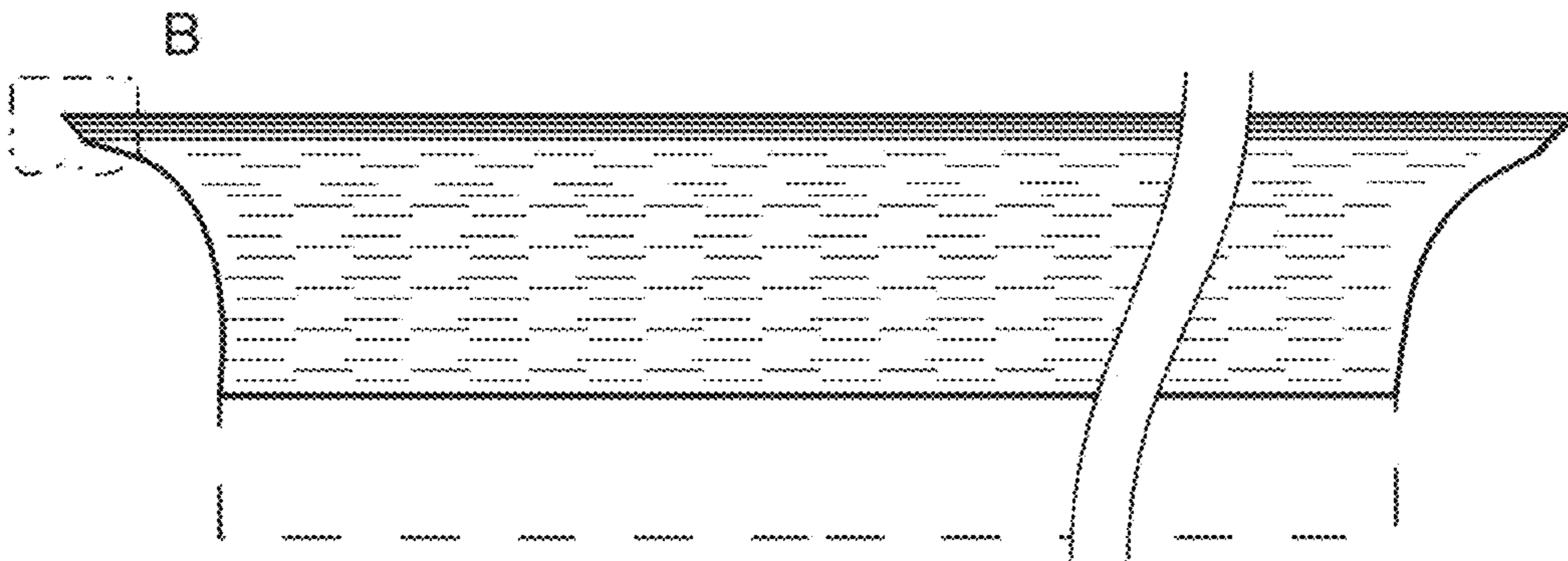


FIG. 1B

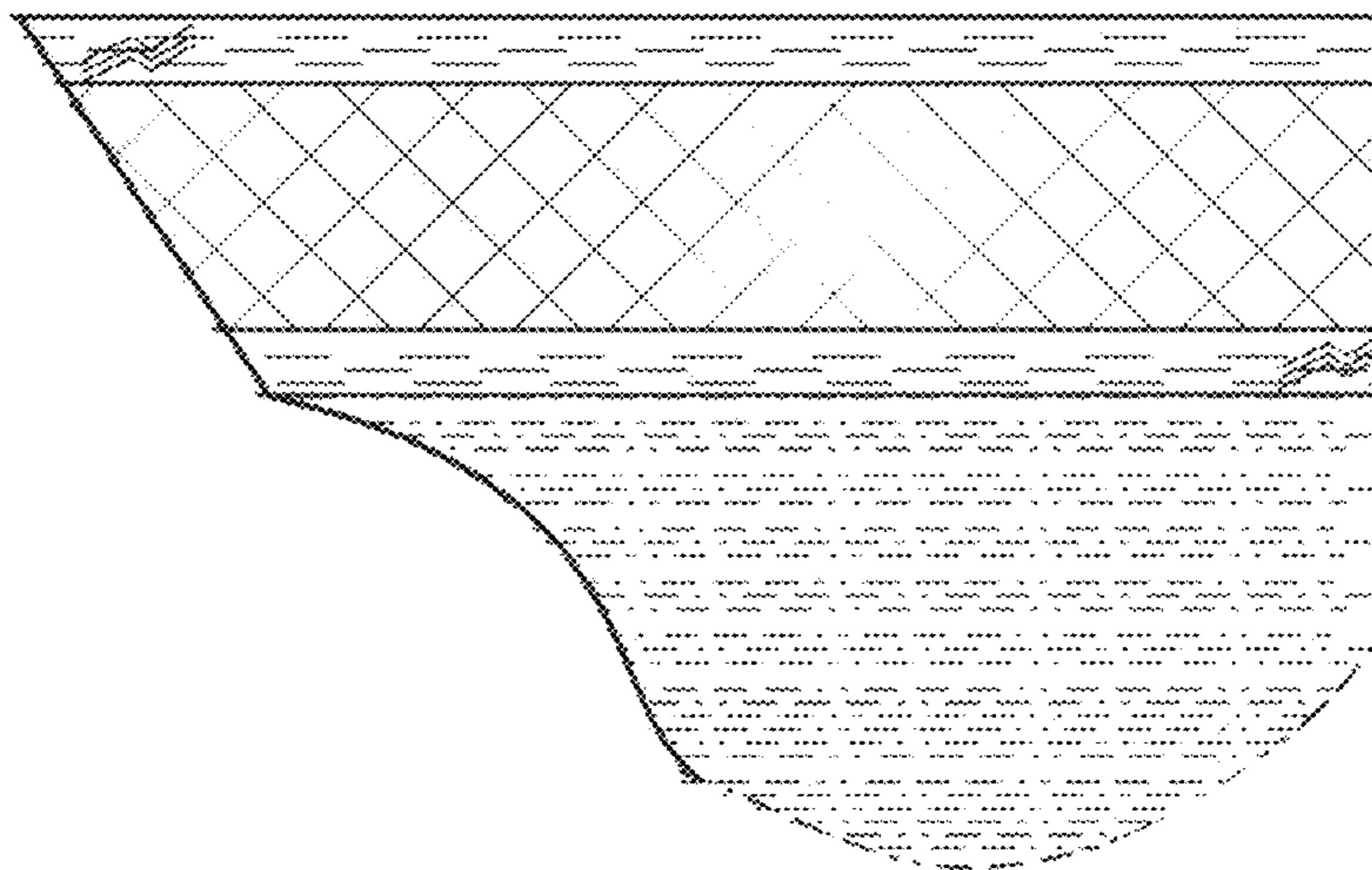


FIG. 2

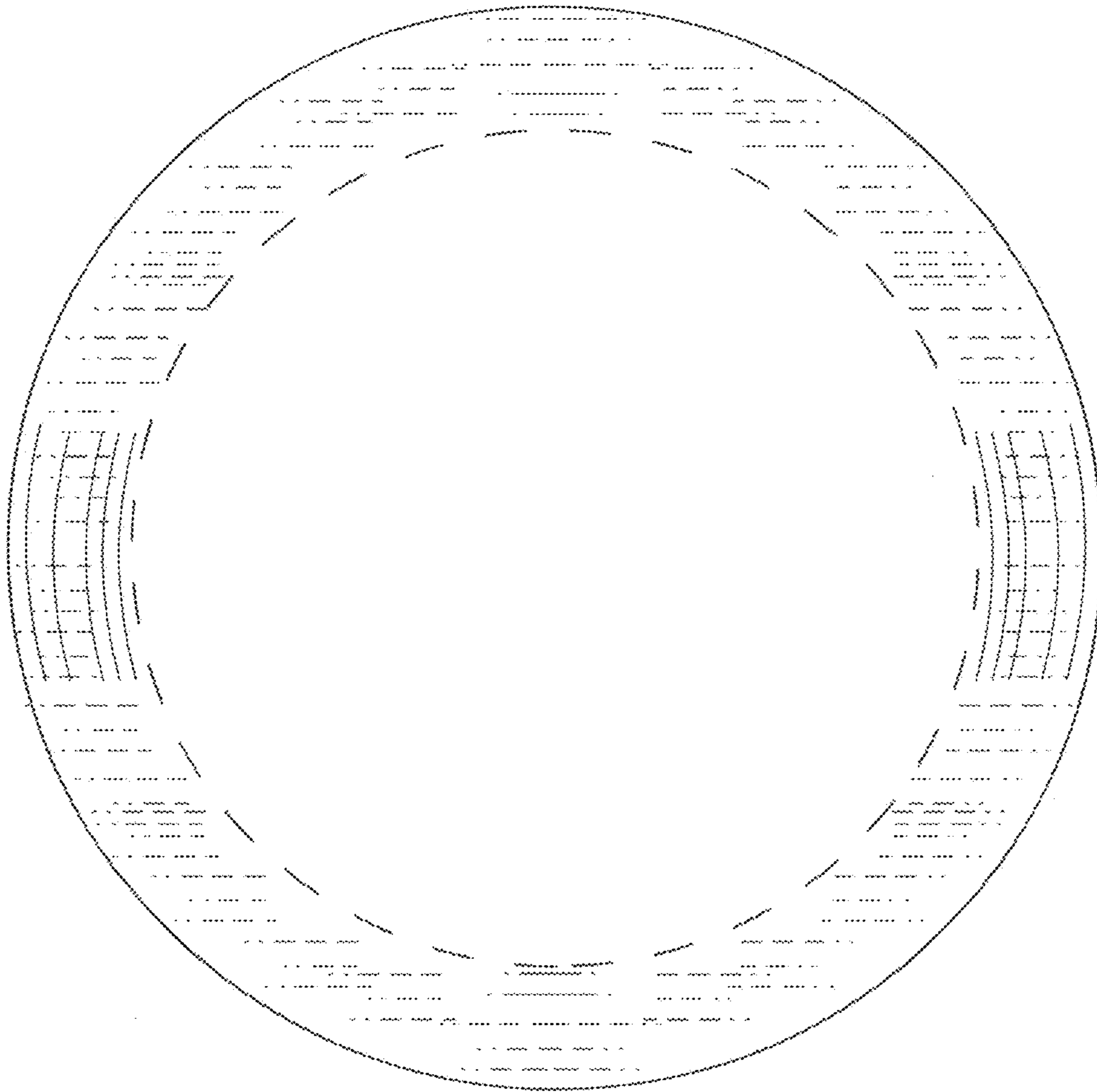


FIG. 3

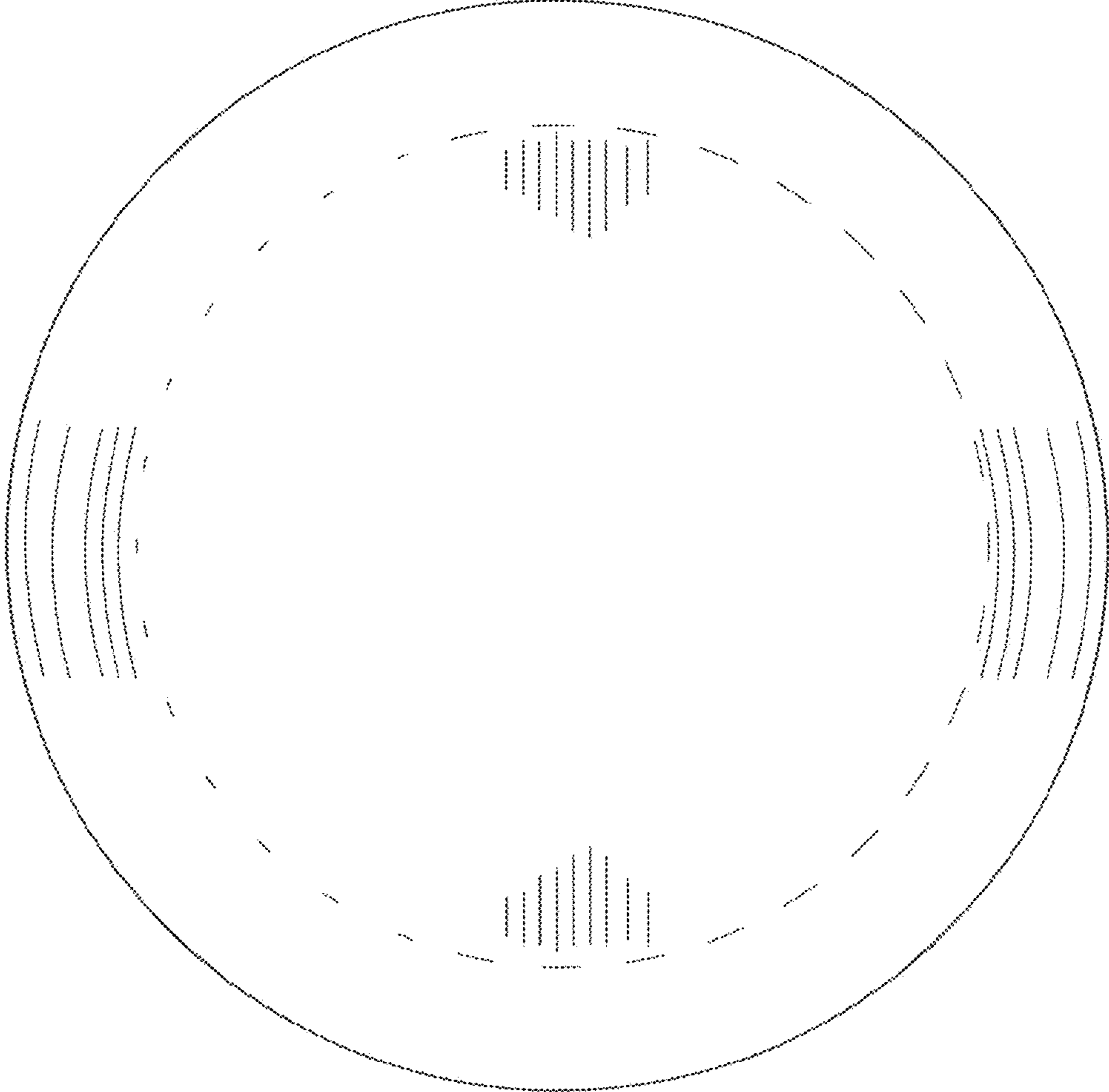


FIG. 4A

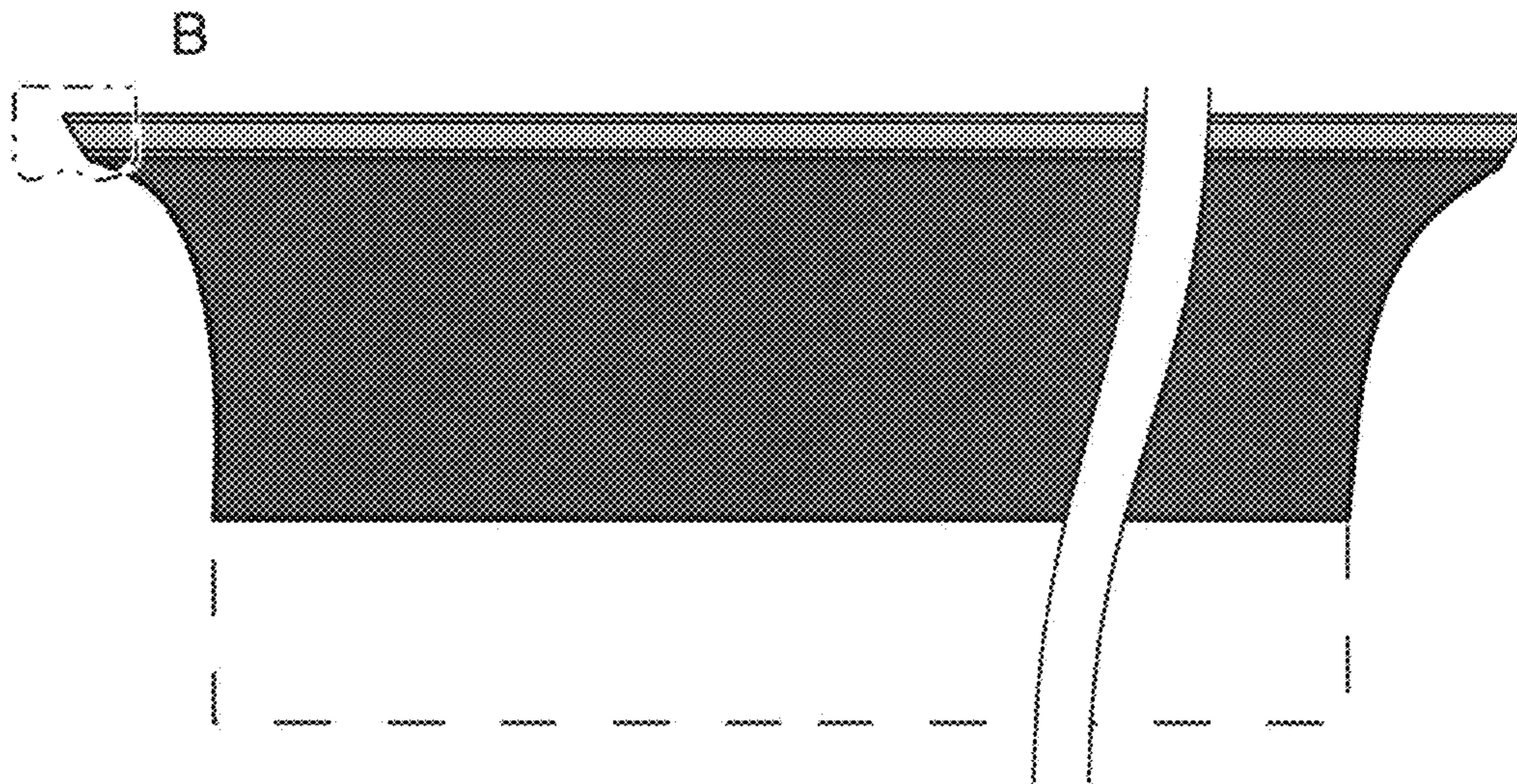


FIG. 4B

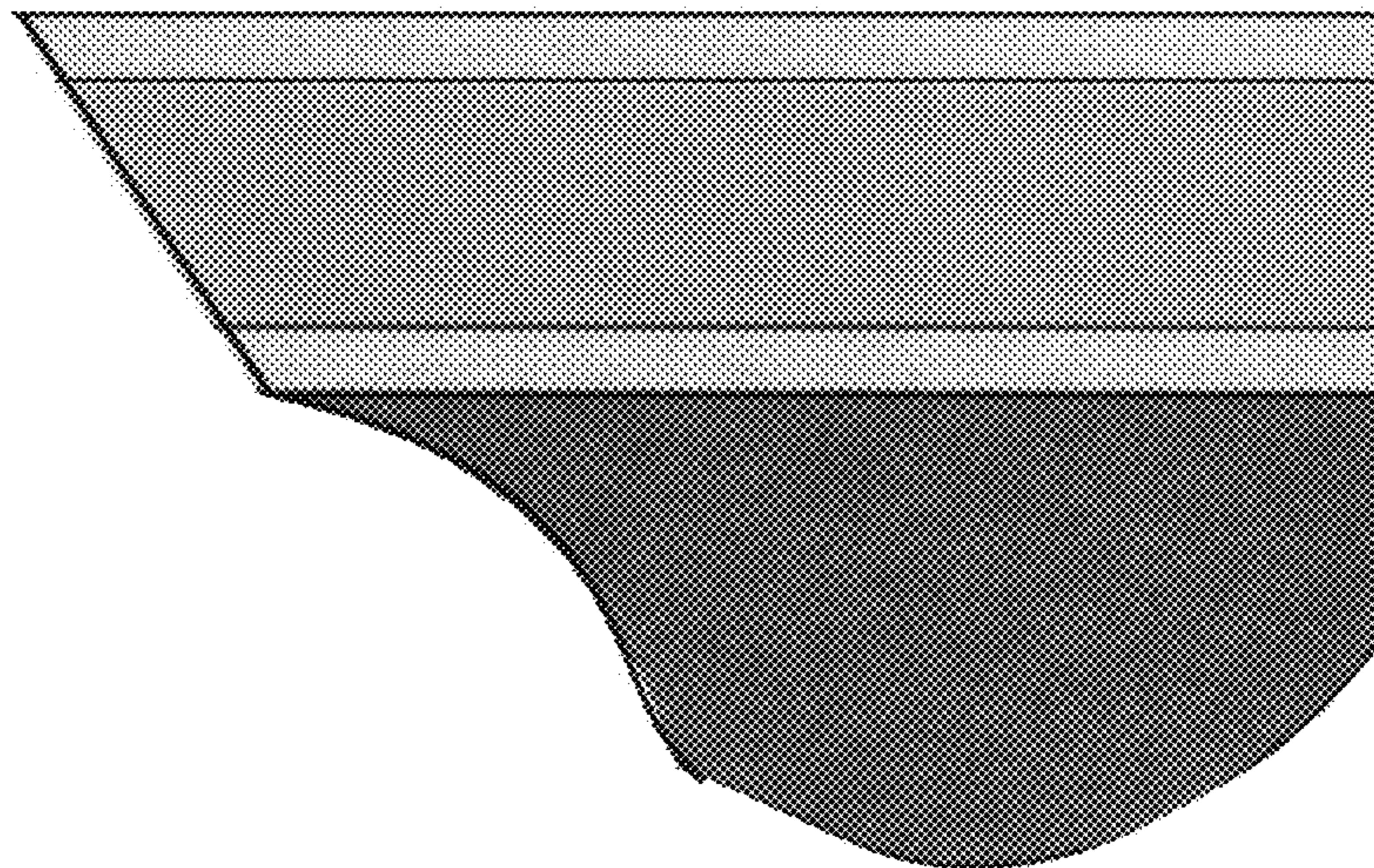


FIG. 5A

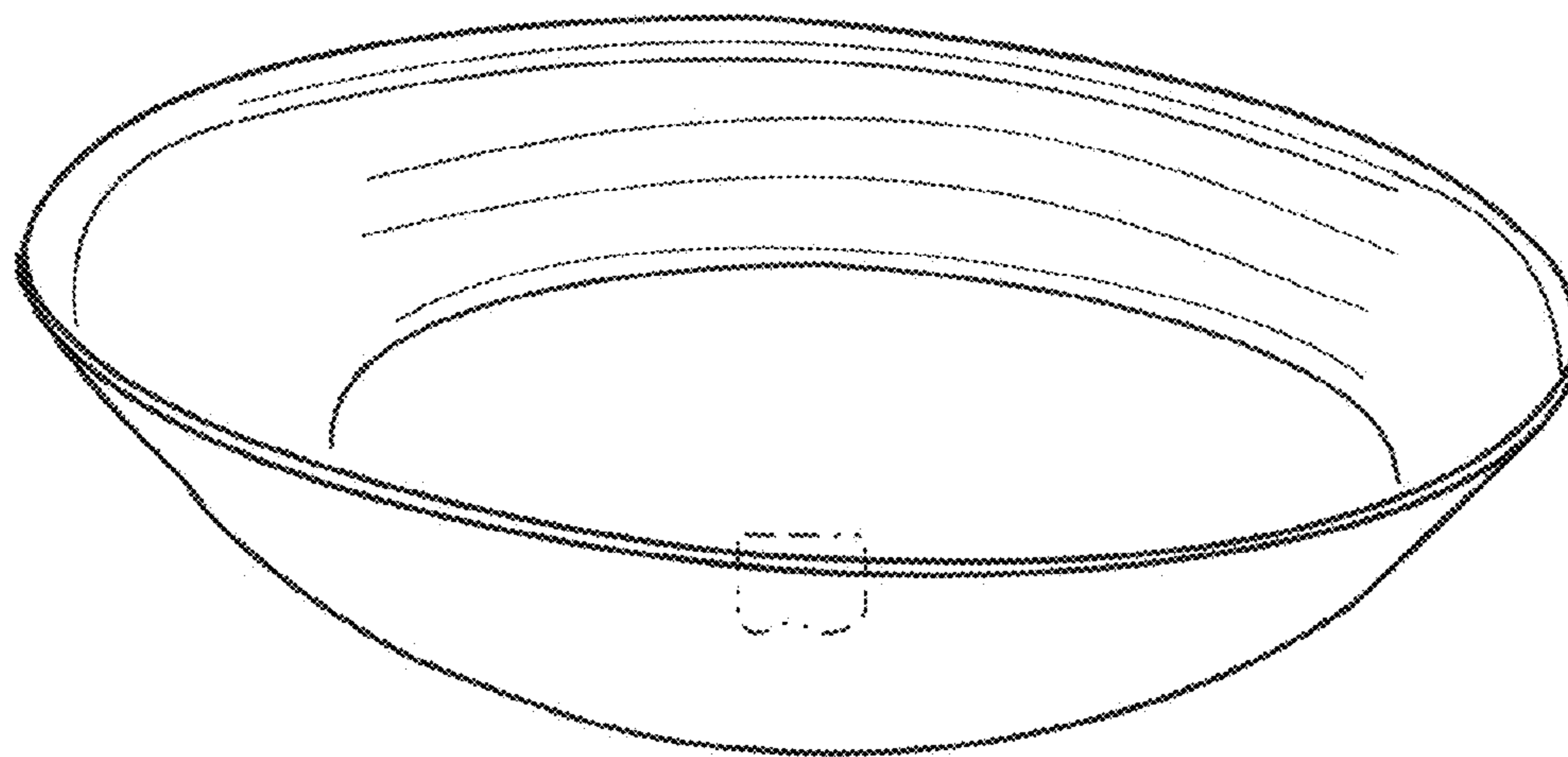


FIG. 5B

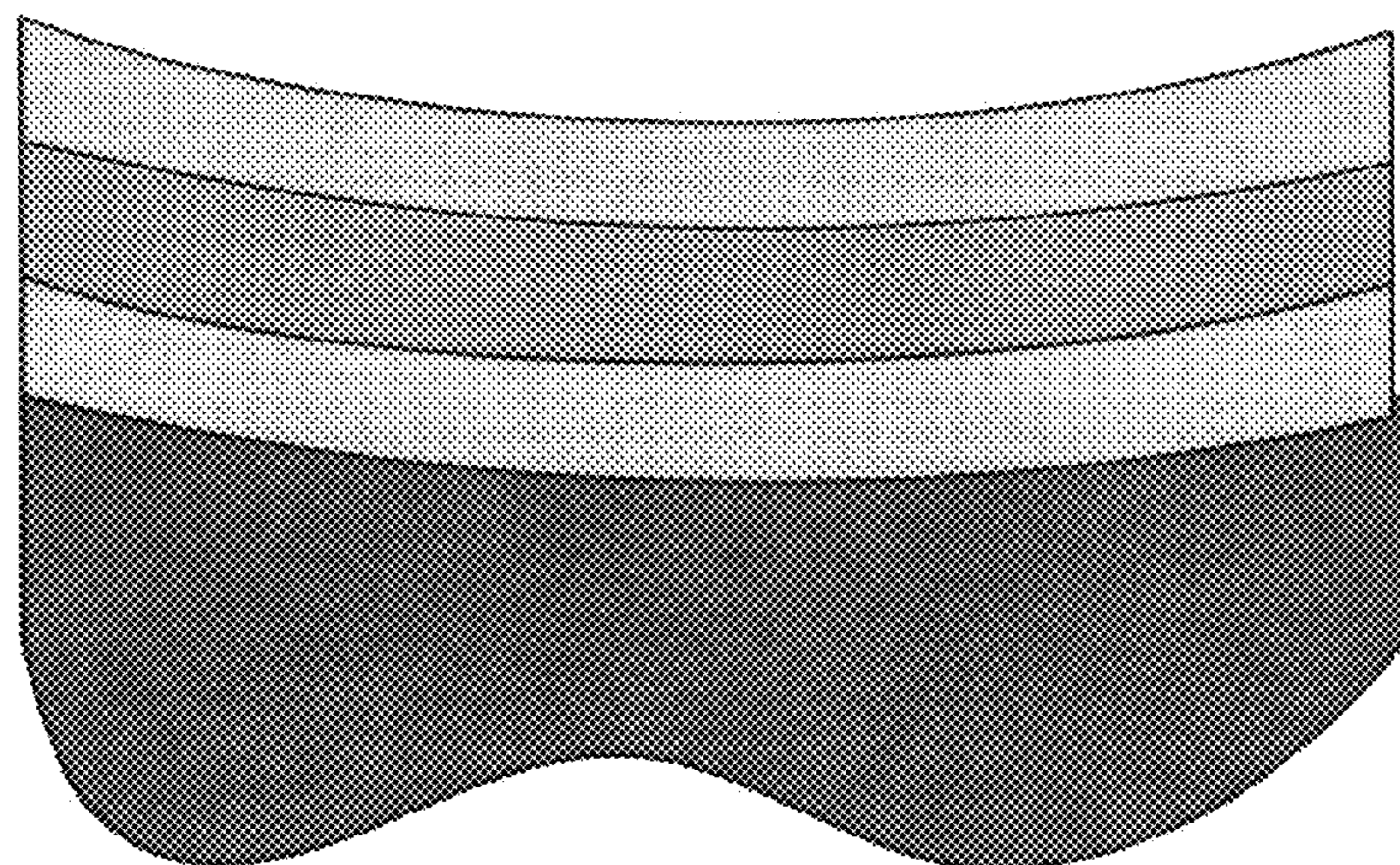


FIG. 6A

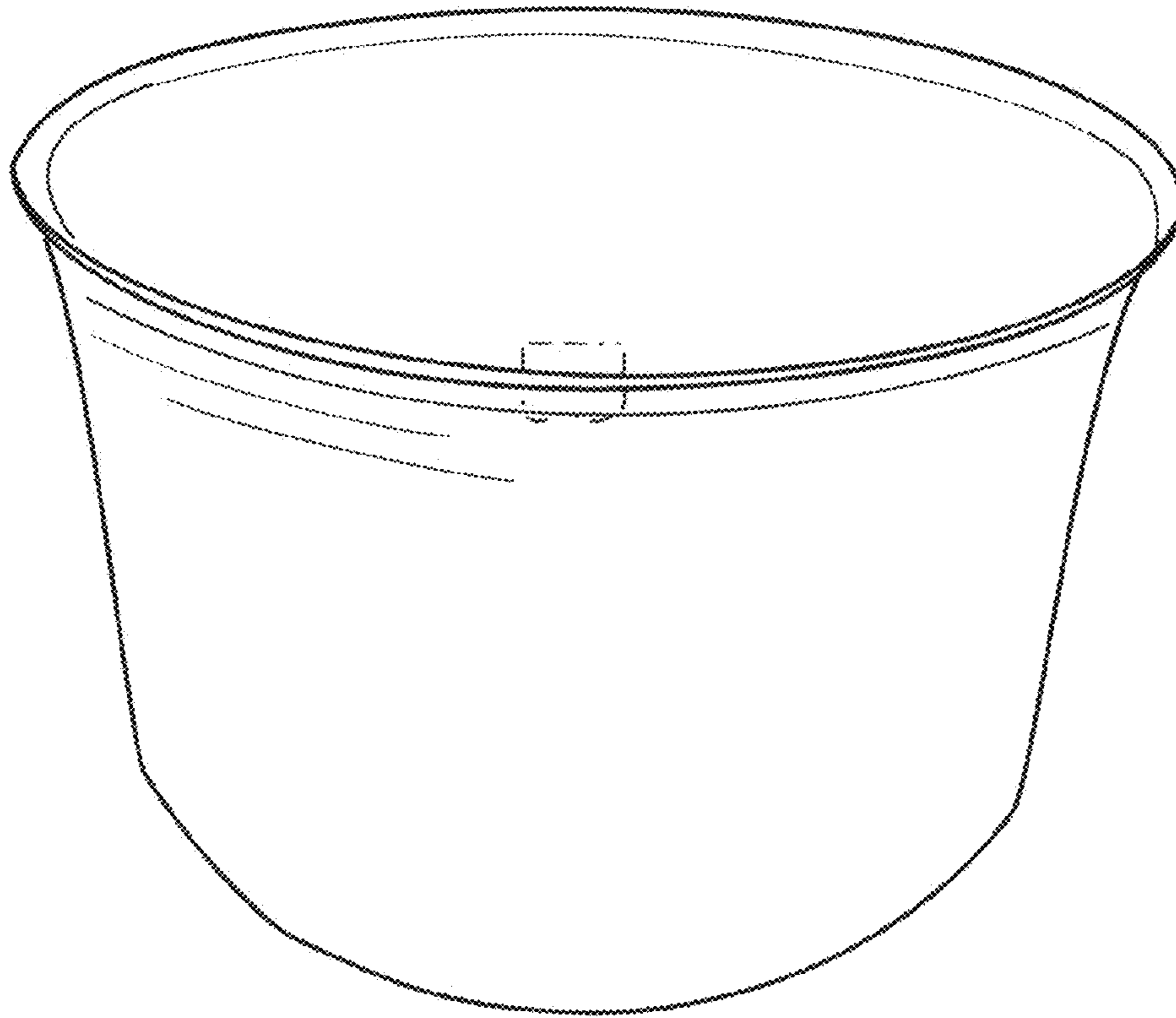


FIG. 6B

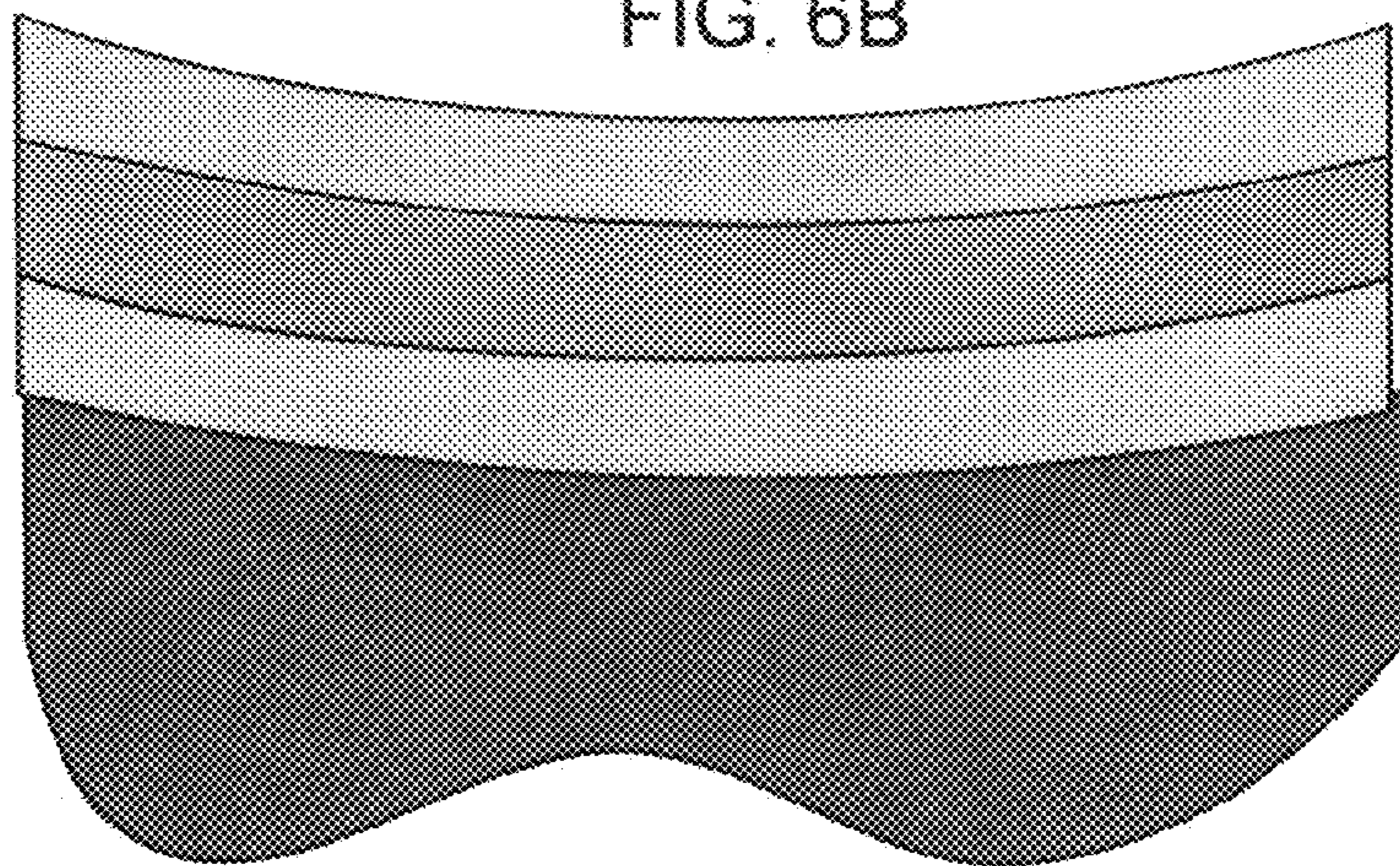


FIG. 7A

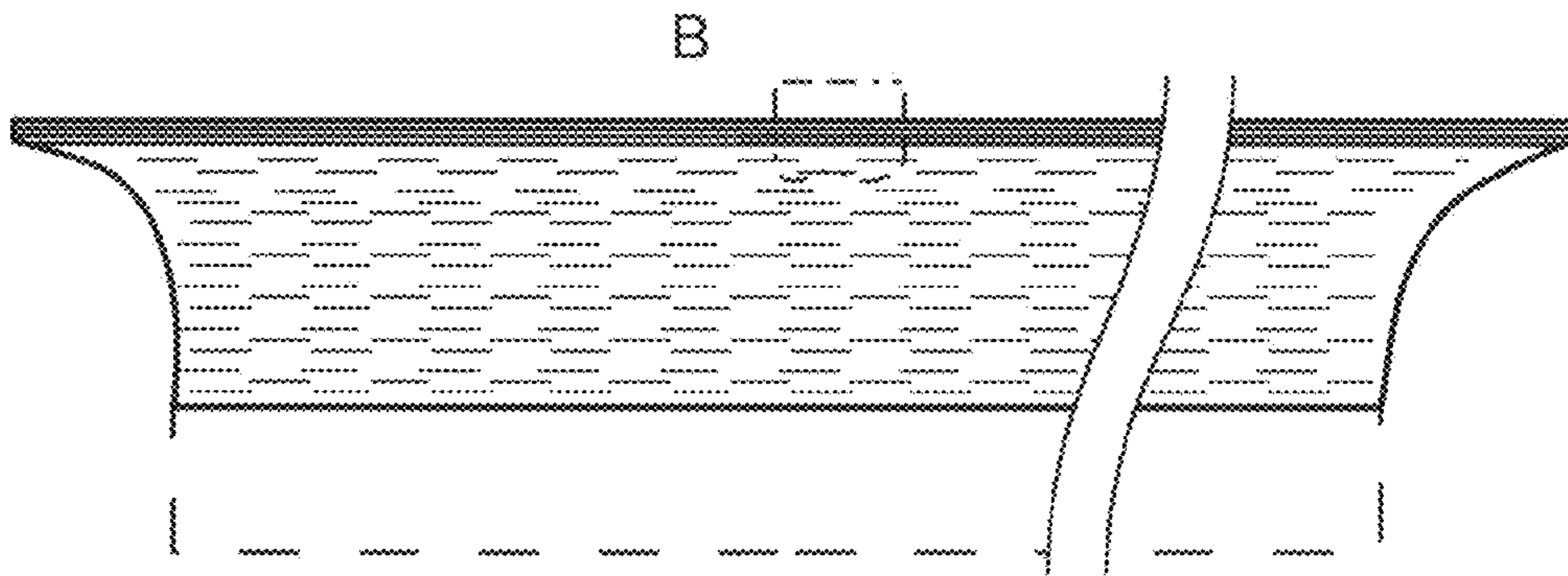


FIG. 7B

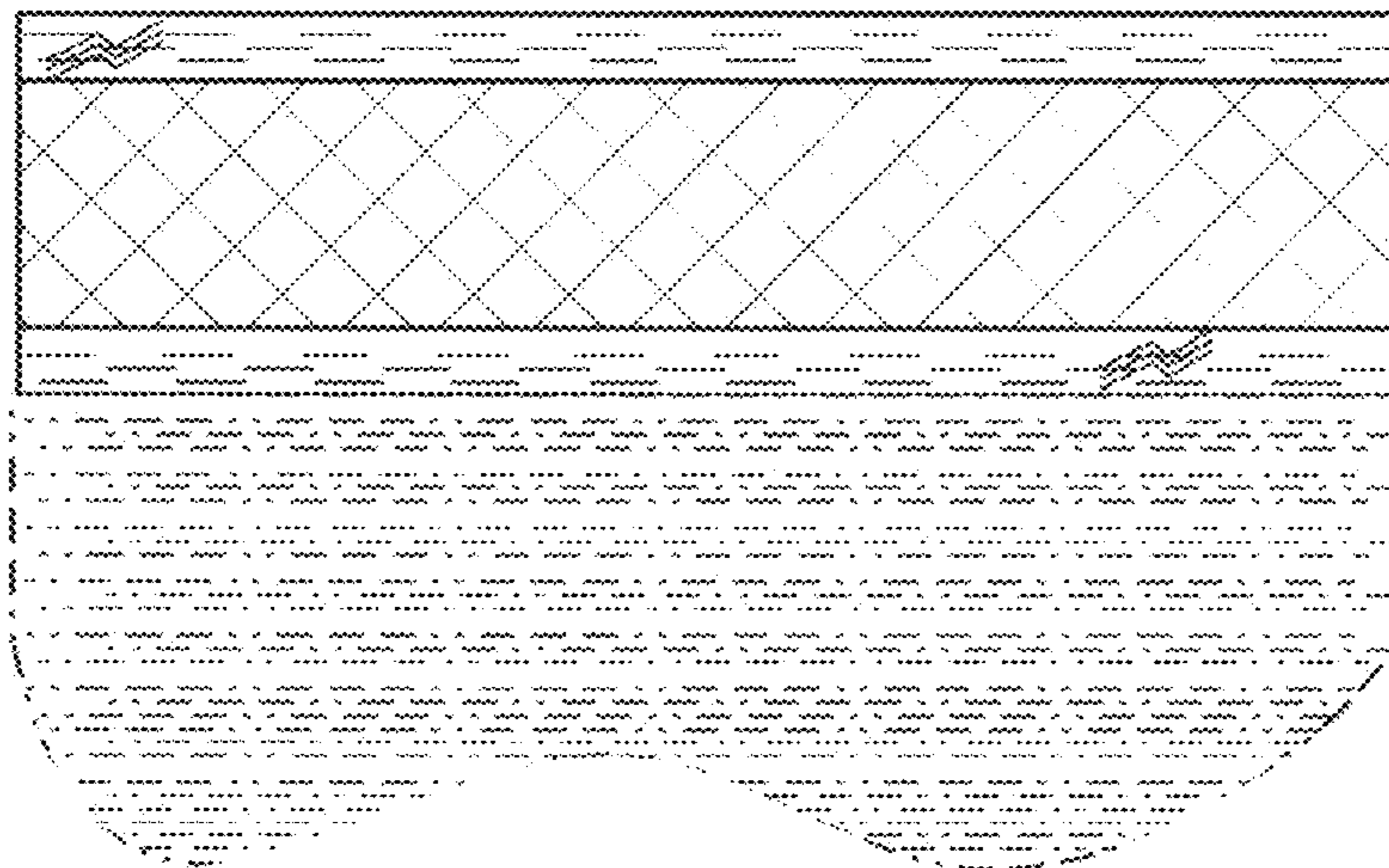


FIG. 8

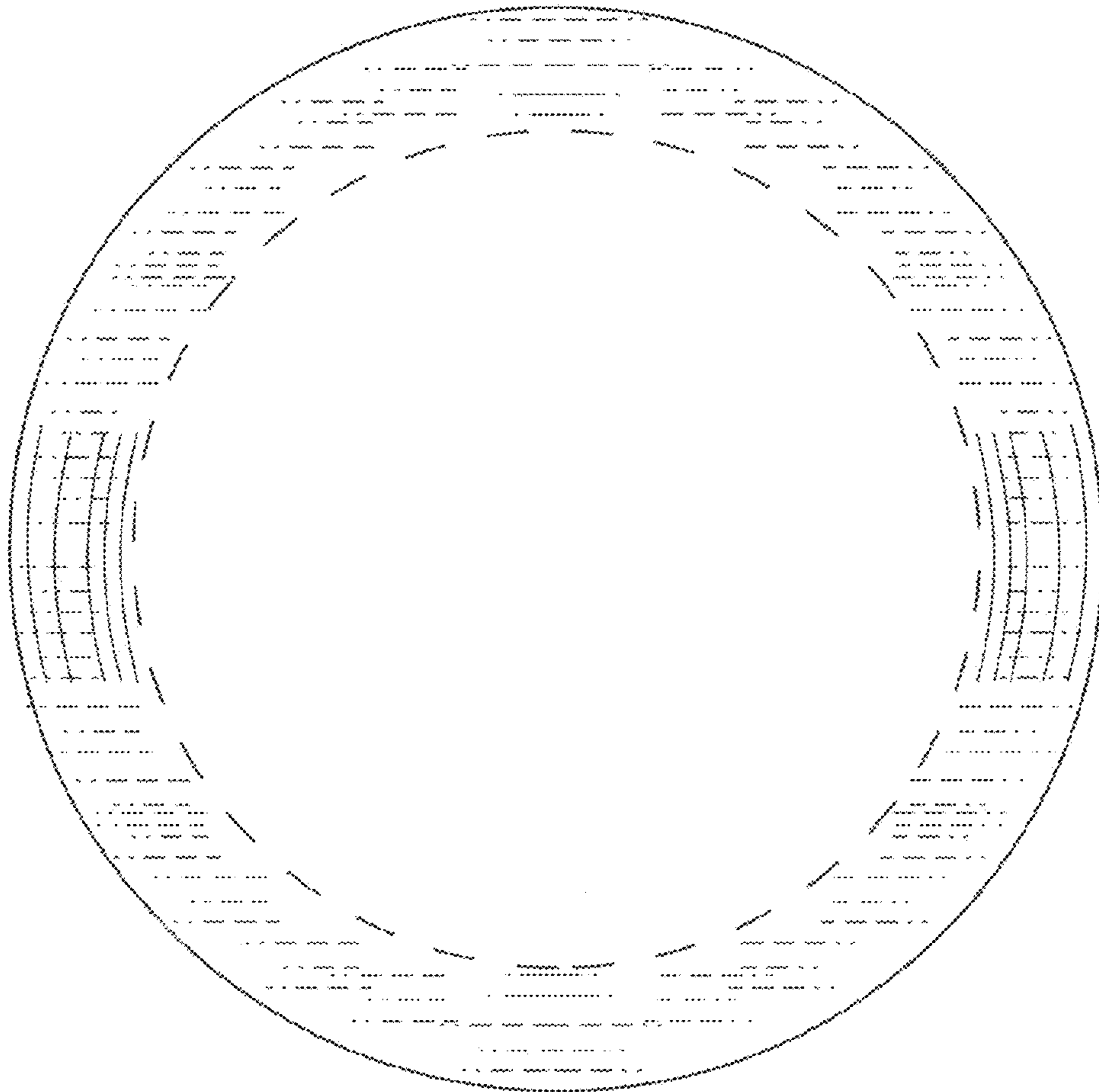


FIG. 9

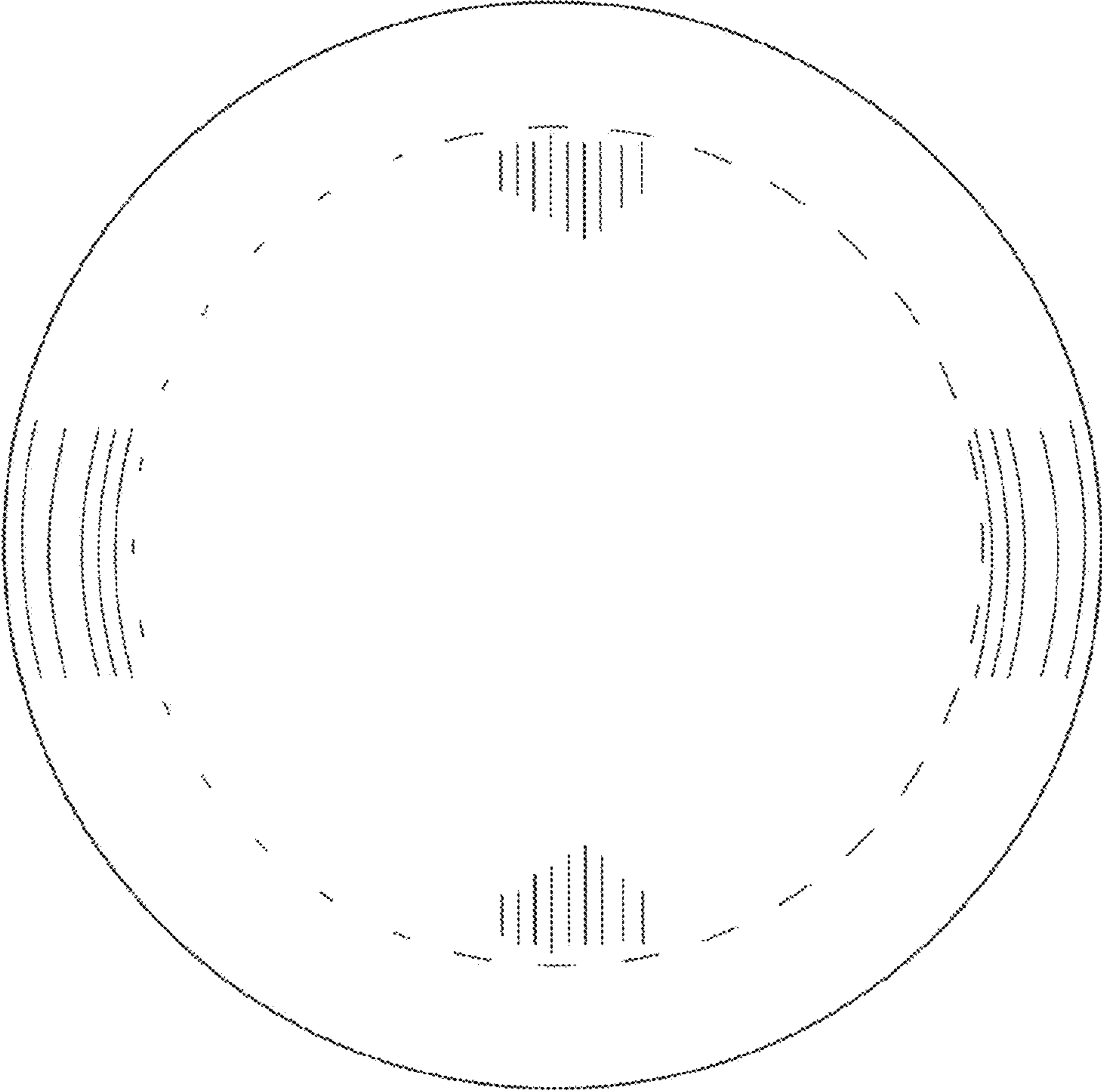


FIG. 10A

B

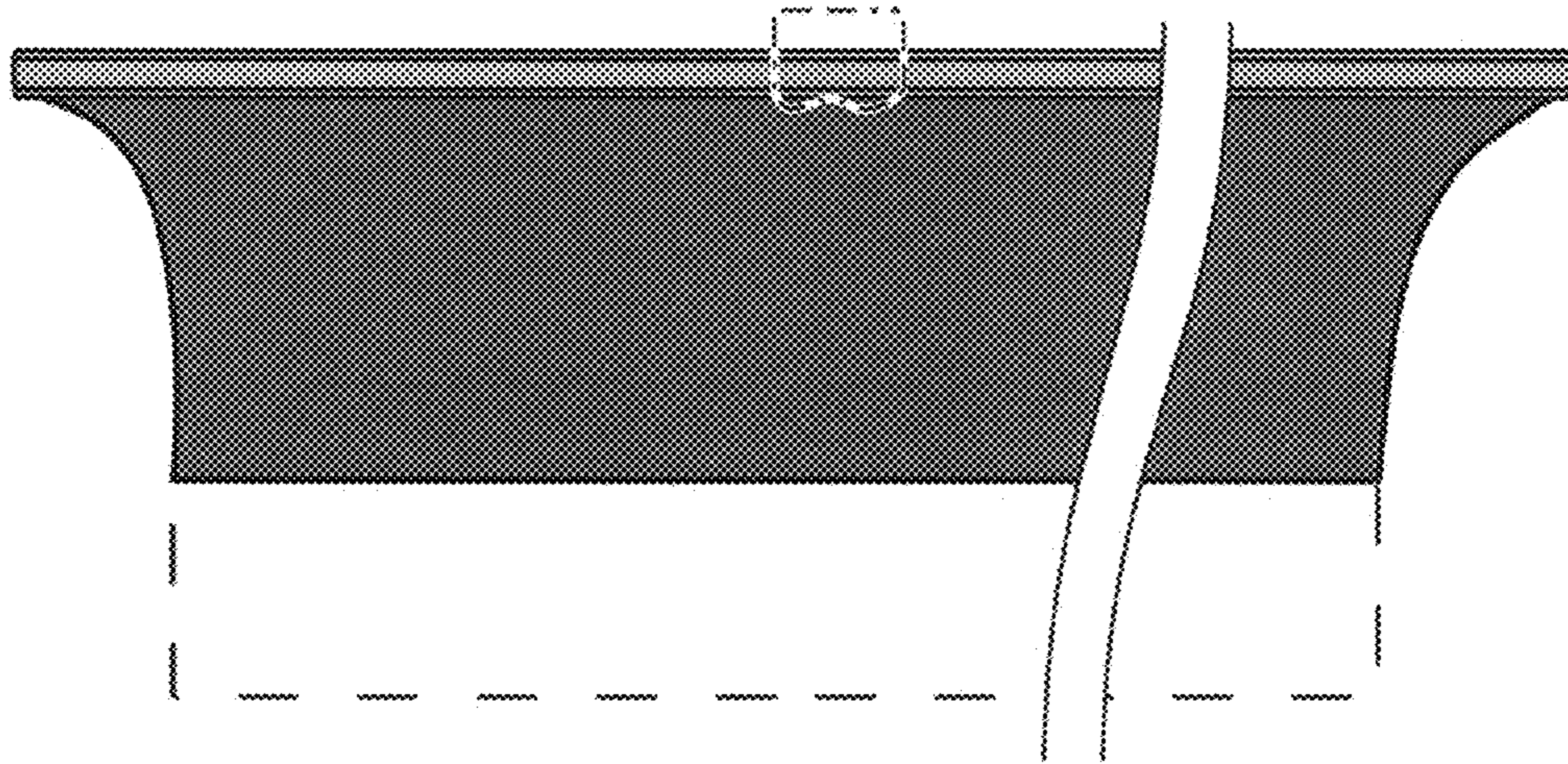


FIG. 10B

