



US00D699065S

(12) **United States Design Patent**
Bucher et al.

(10) **Patent No.:** **US D699,065 S**

(45) **Date of Patent:** **** Feb. 11, 2014**

(54) **BEVERAGE DISPENSER**
(71) Applicant: **Societe des Produits Nestle S.A., Vevey**
(CH)
(72) Inventors: **Pauline Bucher**, Bienne (CH); **Yves Marmier**, La Chaux-de-Fonds (CH); **Sébastien Dassi**, Saint-Blaise (CH)
(73) Assignee: **Societe des Produits Nestle S.A., Vevey**
(CH)

D491,631 S * 6/2004 Gaignet et al. D23/207
D548,507 S * 8/2007 Jacquet et al. D7/309
D588,855 S * 3/2009 Jacquet et al. D7/309
D621,647 S * 8/2010 Jacquet et al. D7/306
D663,158 S * 7/2012 Jacquet et al. D7/393
D666,049 S * 8/2012 Struzka D7/306
D674,232 S * 1/2013 Lavy et al. D7/309
D678,710 S * 3/2013 Xie D7/309
D683,174 S * 5/2013 Regamey D7/306
D685,220 S * 7/2013 Schilders et al. D7/323

(**) Term: **14 Years**

* cited by examiner
Primary Examiner — Marianne Pandozzi
(74) *Attorney, Agent, or Firm* — K&L Gates LLP

(21) Appl. No.: **29/432,838**

(57) **CLAIM**

(22) Filed: **Sep. 21, 2012**

The ornamental design for a beverage dispenser, as shown and described.

(30) **Foreign Application Priority Data**

DESCRIPTION

Apr. 5, 2012 (CH) 138767
(51) **LOC (10) Cl.** **07-01**
(52) **U.S. Cl.**
USPC **D7/306**; D7/309; D7/311
(58) **Field of Classification Search**
USPC D7/306, 309–311, 300, 313, 301, 307,
D7/308, 305, 589, 397; 99/323.2, 284,
99/279, 302, 294, 290, 295; 222/146.6,
222/185.1, 683, 1; 62/3.63; D23/207
See application file for complete search history.

FIG. 1 illustrates a front perspective view of the beverage dispenser showing our new design;
FIG. 2 illustrates a front elevation view thereof;
FIG. 3 illustrates a rear elevation view thereof;
FIG. 4 illustrates a left side elevation view thereof;
FIG. 5 illustrates a right side elevation view thereof;
FIG. 6 illustrates a top view thereof;
FIG. 7 illustrates a bottom view thereof;
FIG. 8 illustrates a front perspective view of the beverage dispenser showing our new design in a second embodiment;
FIG. 9 illustrates a front elevation view thereof;
FIG. 10 illustrates a rear elevation view thereof;
FIG. 11 illustrates a left side elevation view thereof;
FIG. 12 illustrates a right side elevation view thereof;
FIG. 13 illustrates a top view thereof; and,
FIG. 14 illustrates a bottom view thereof.

(56) **References Cited**

U.S. PATENT DOCUMENTS

D353,296 S * 12/1994 Assmann D7/309
D382,438 S * 8/1997 Figur et al. D7/309
D411,705 S * 6/1999 Littmann D7/309
D430,771 S * 9/2000 Saltet D7/309

1 Claim, 12 Drawing Sheets

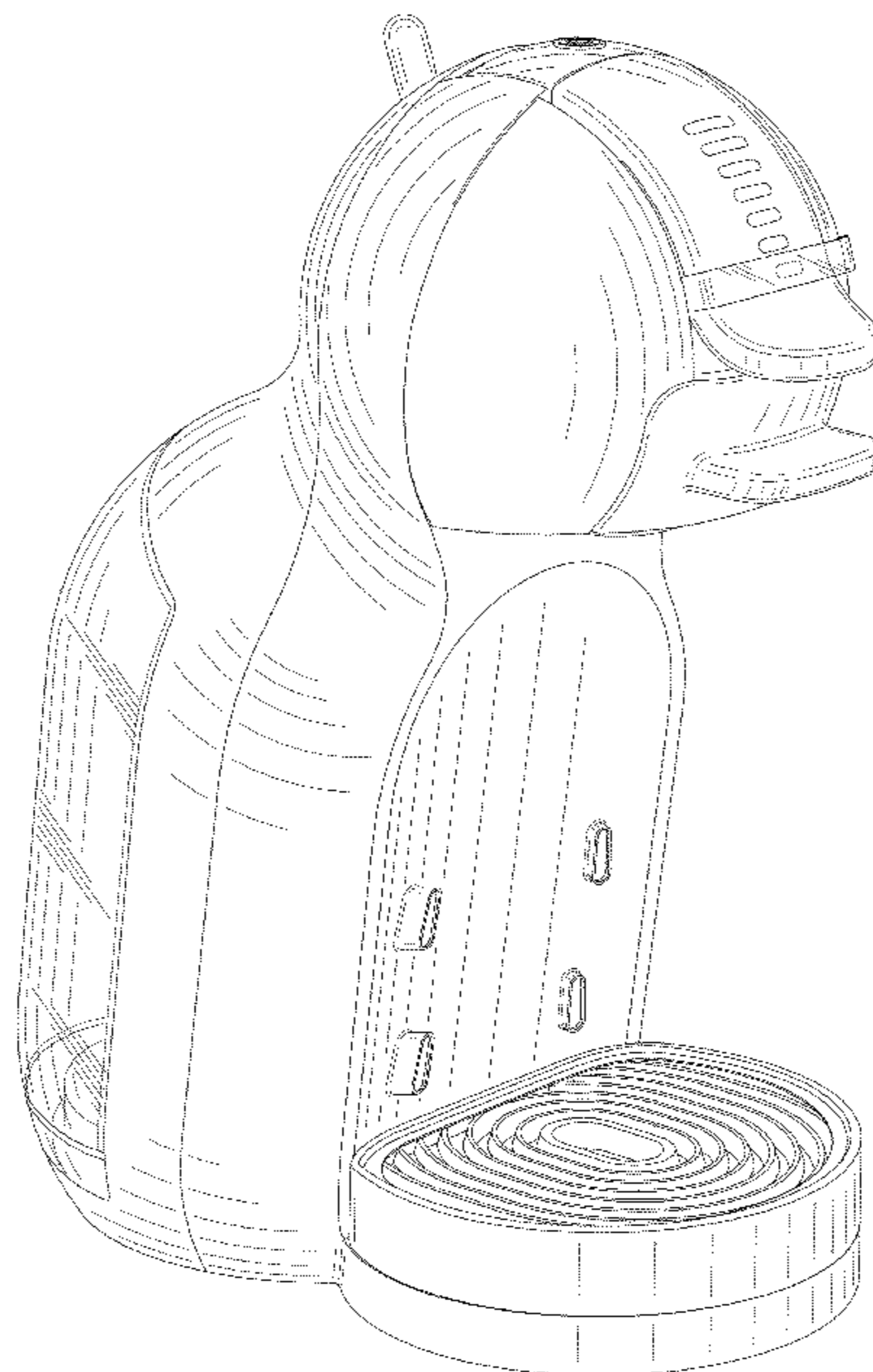


FIG. 1

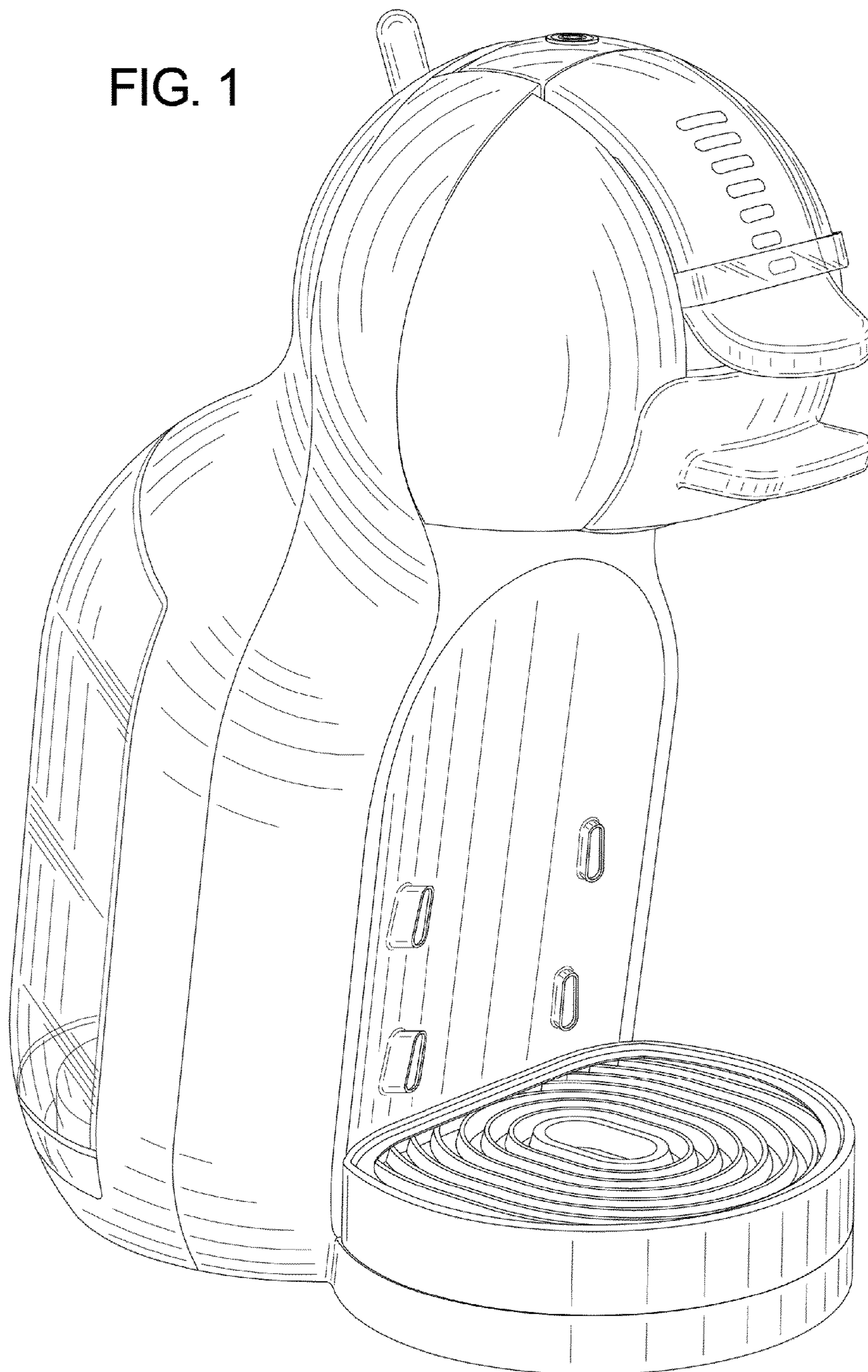


FIG. 2

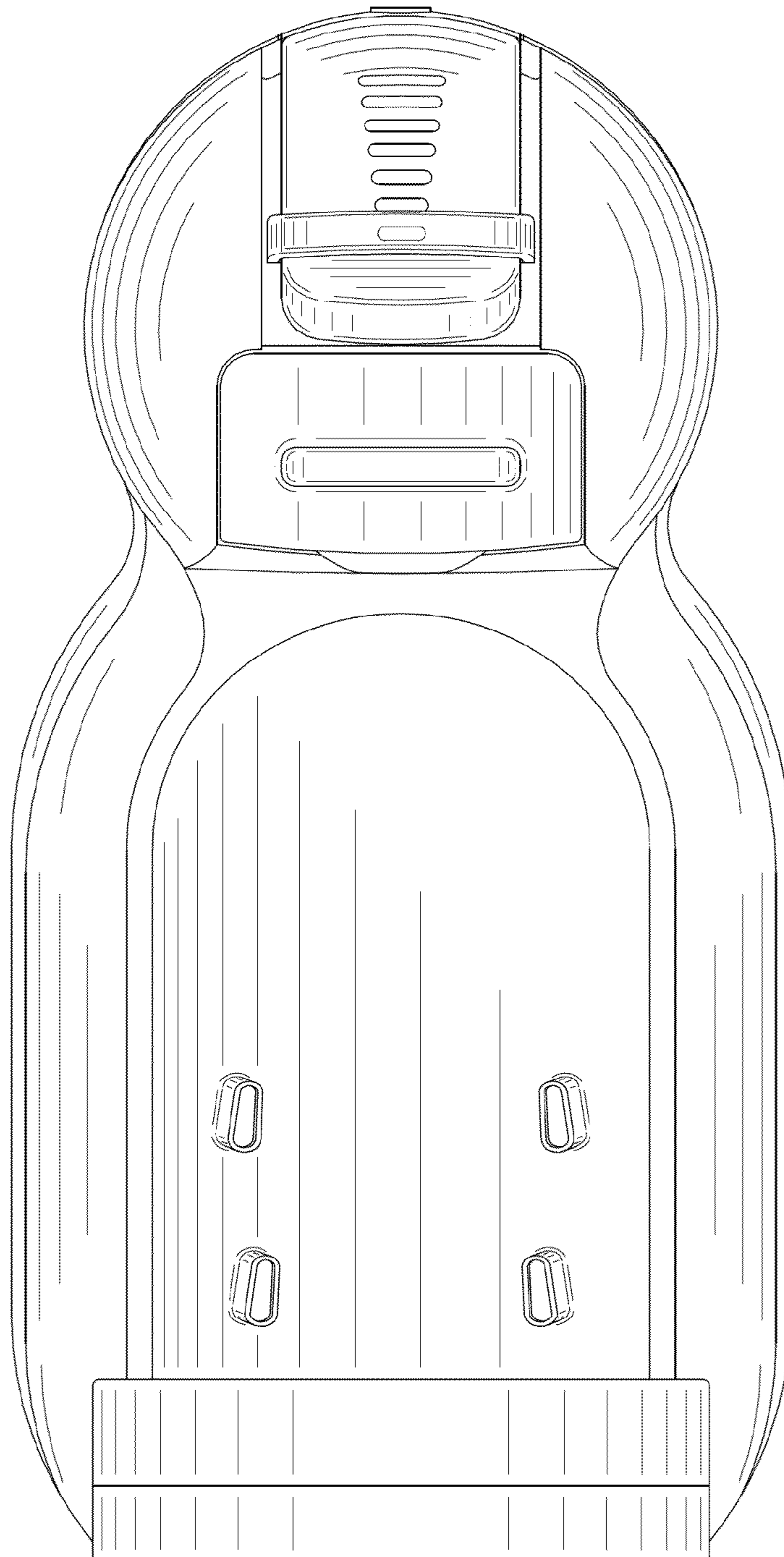


FIG. 3

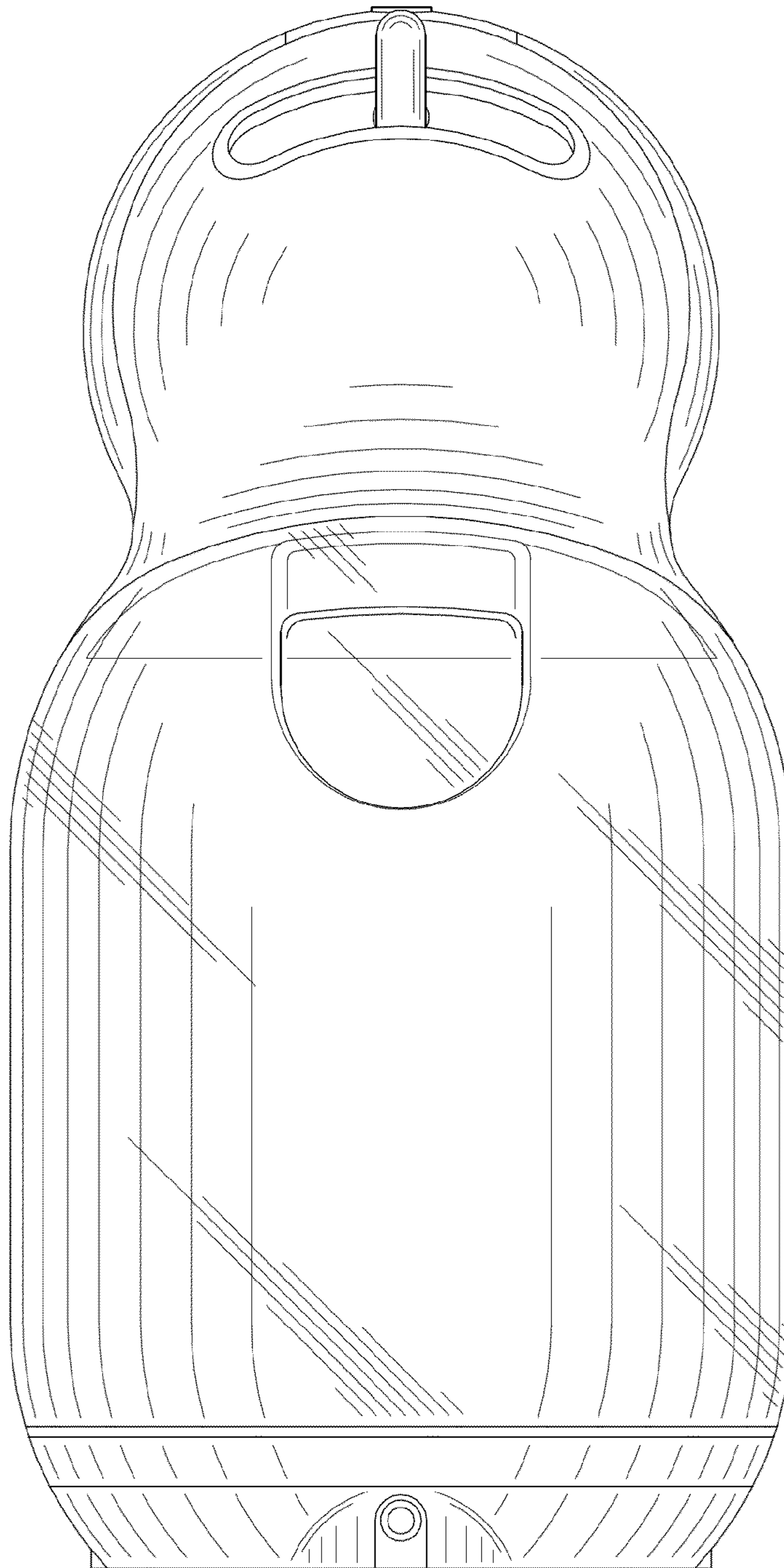


FIG. 4

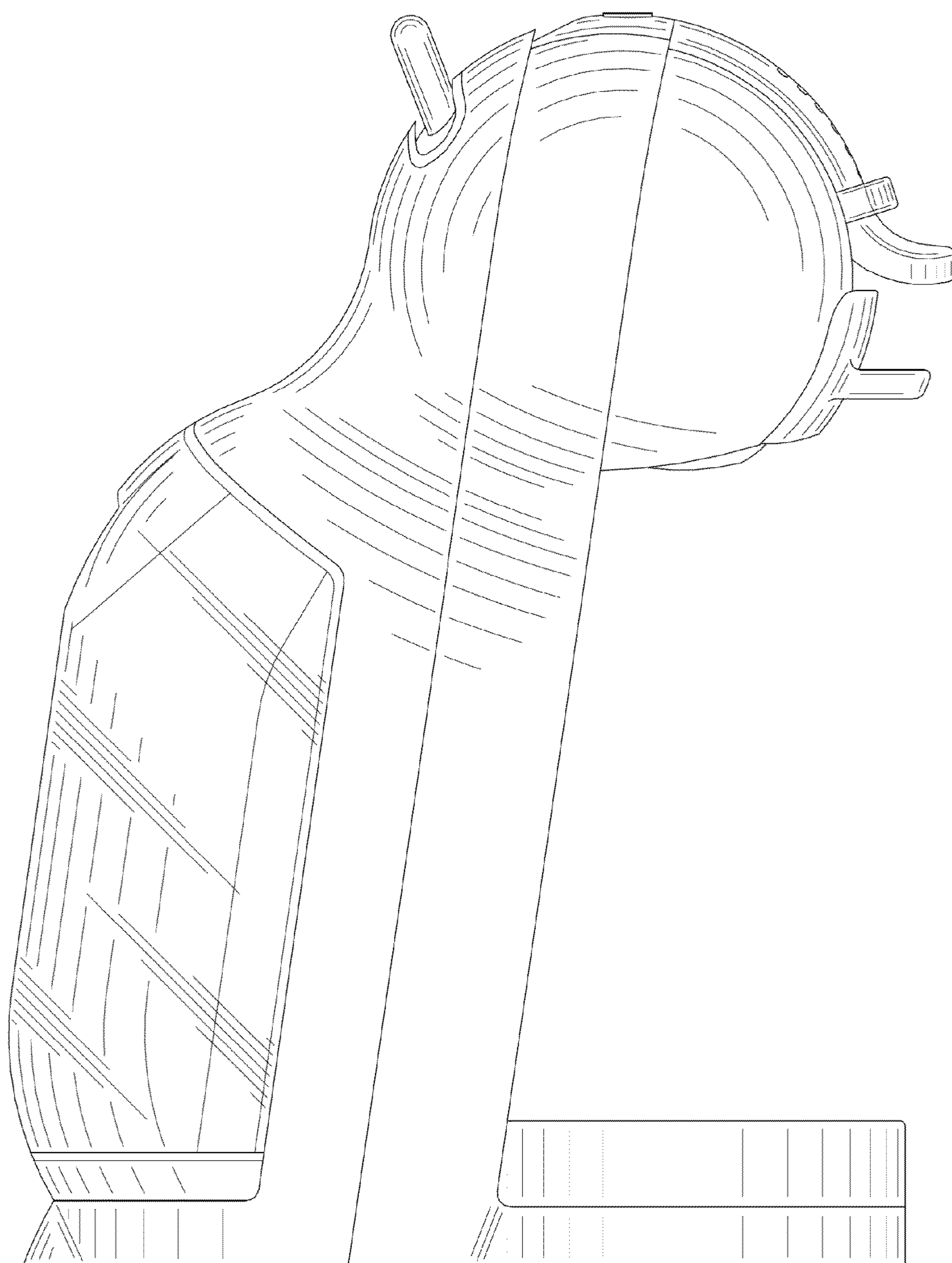


FIG. 5

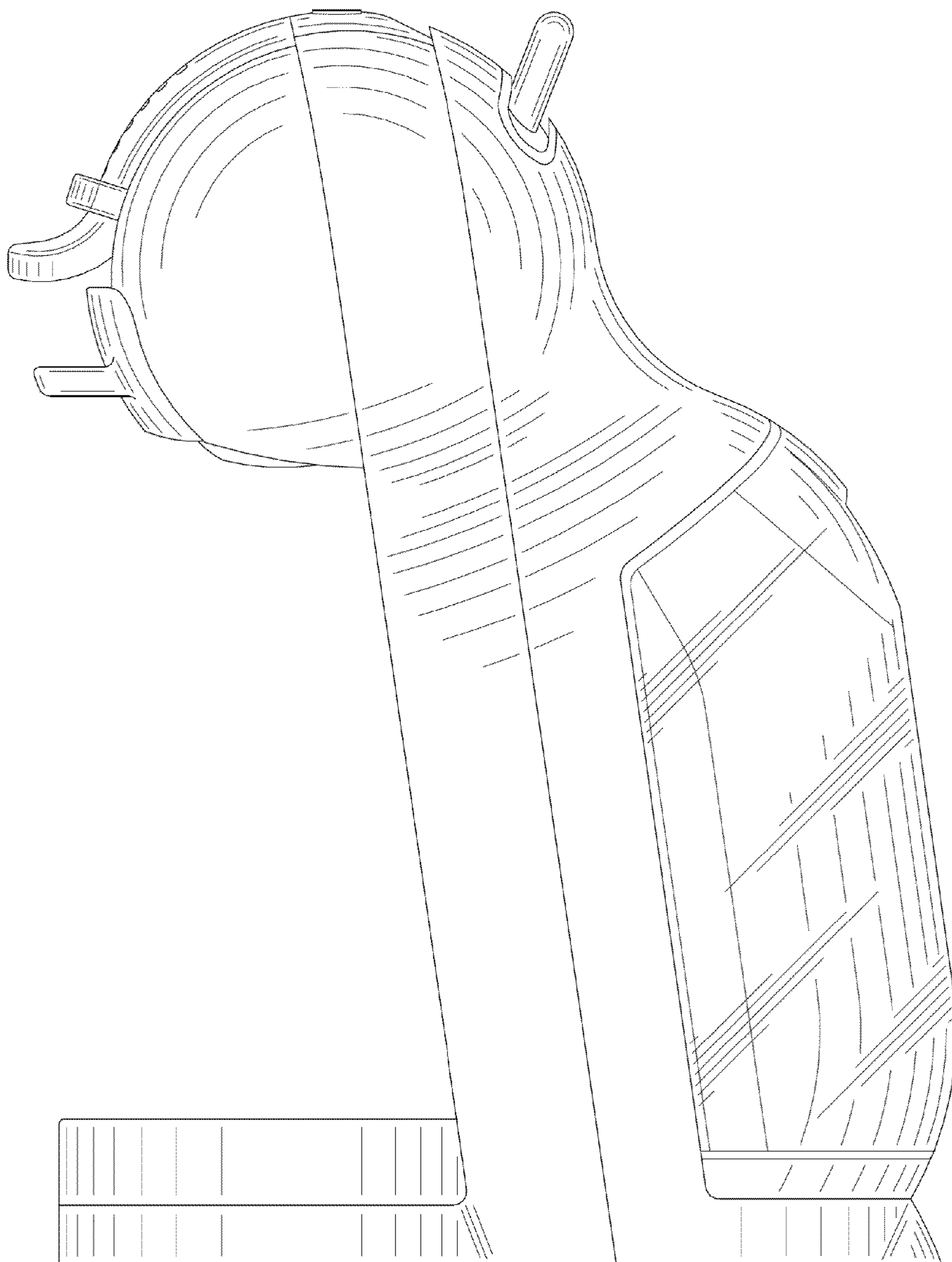


FIG. 6

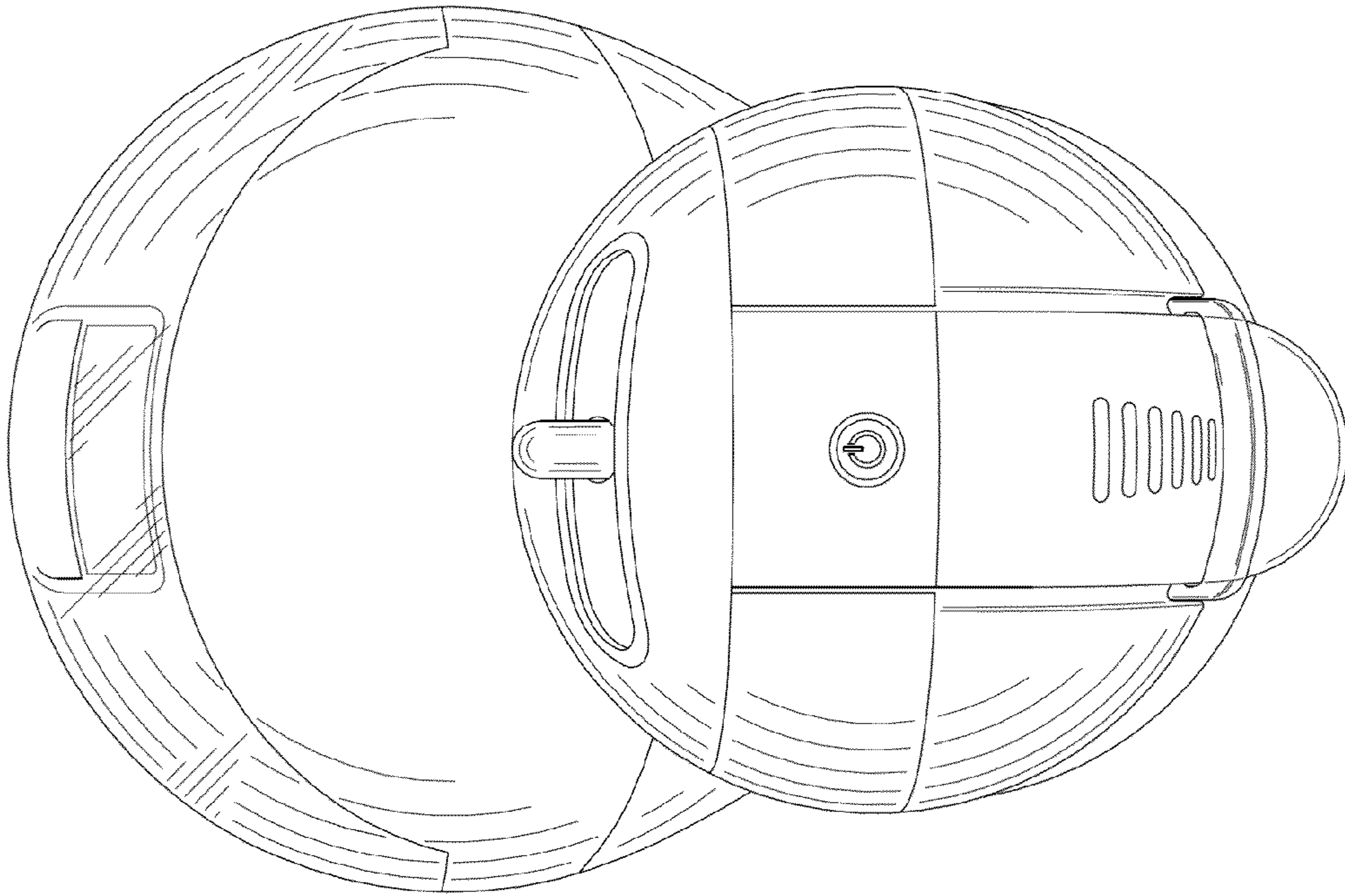


FIG. 7

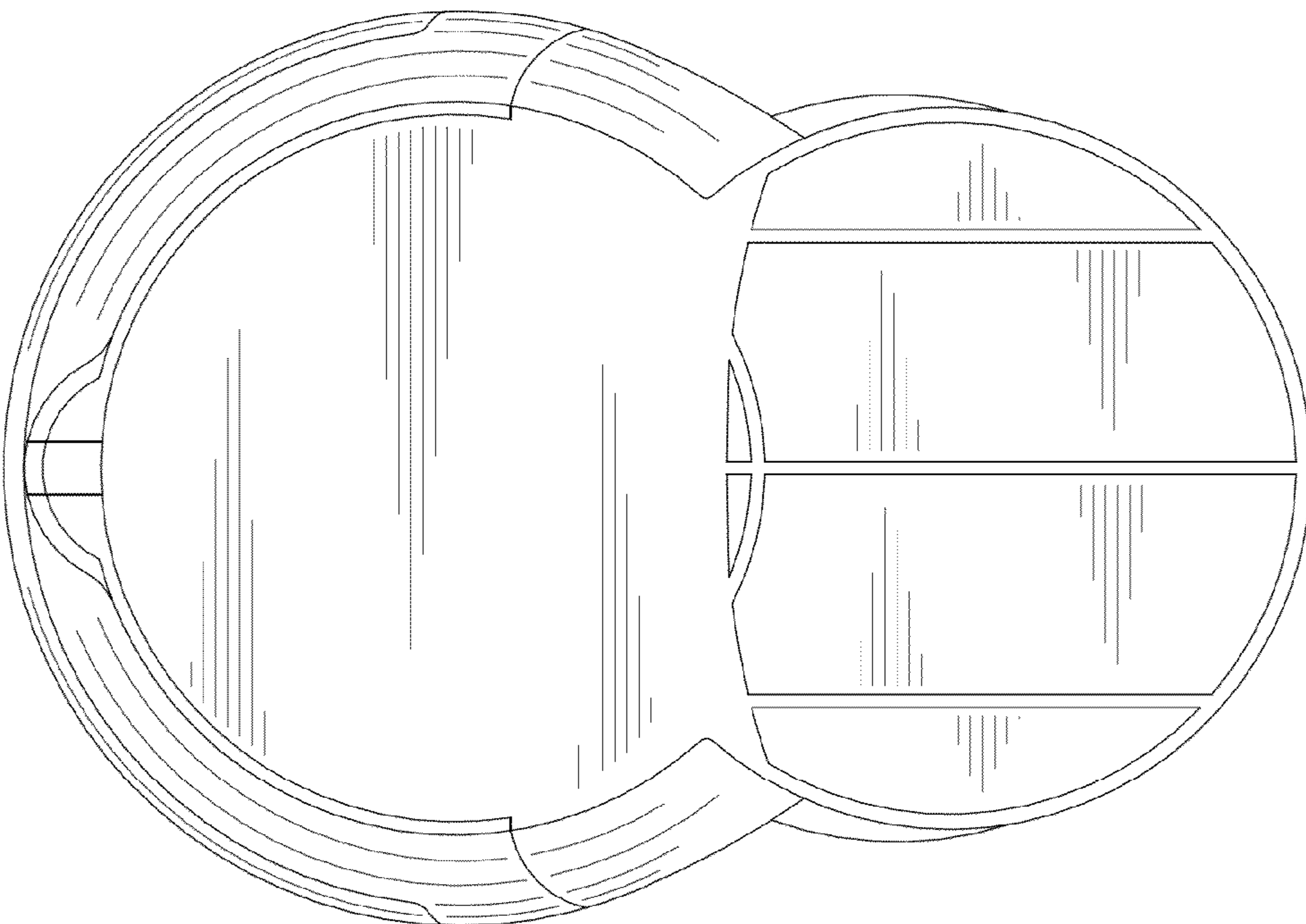


FIG. 8

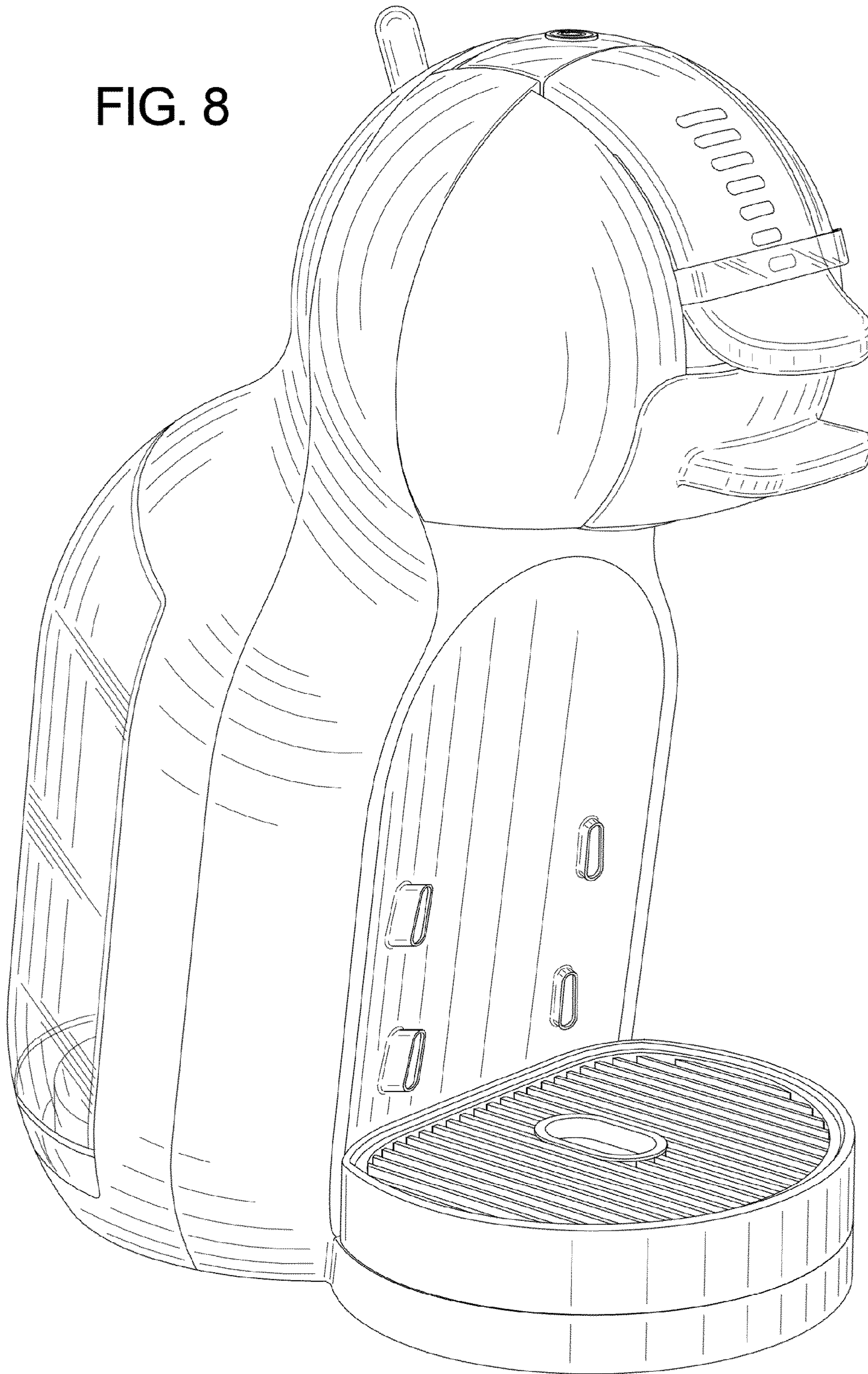


FIG. 9

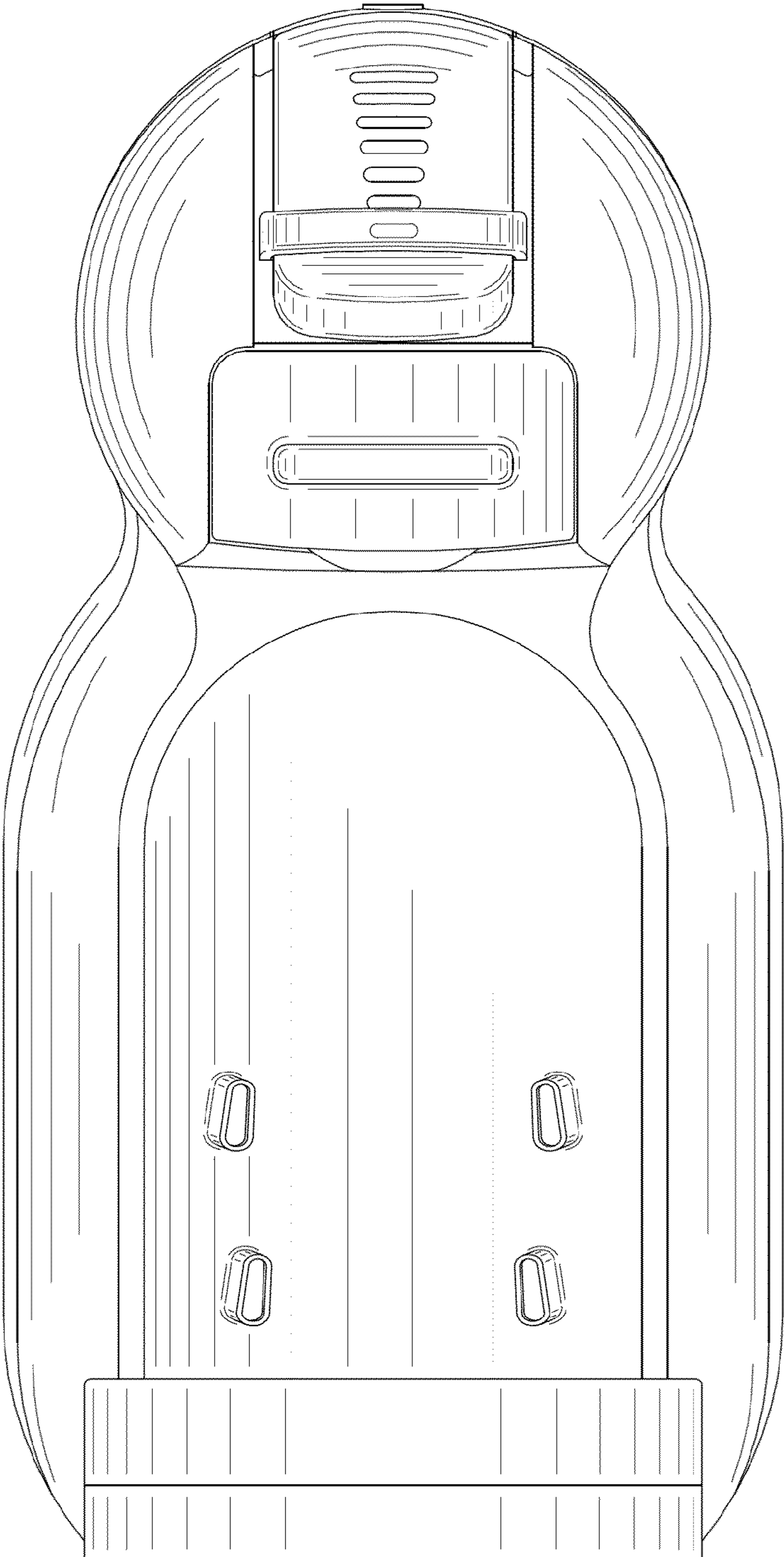


FIG. 10

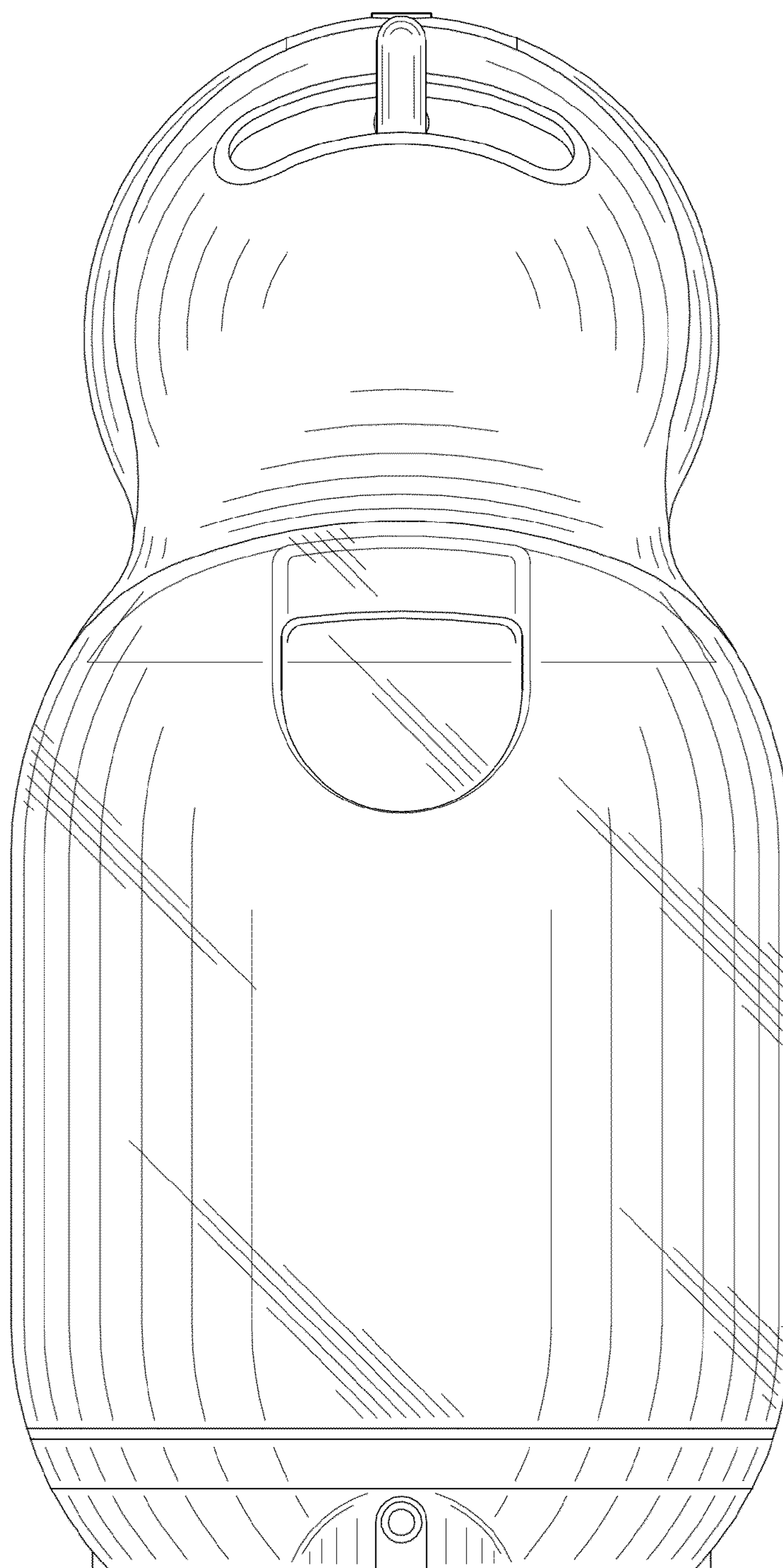


FIG. 11

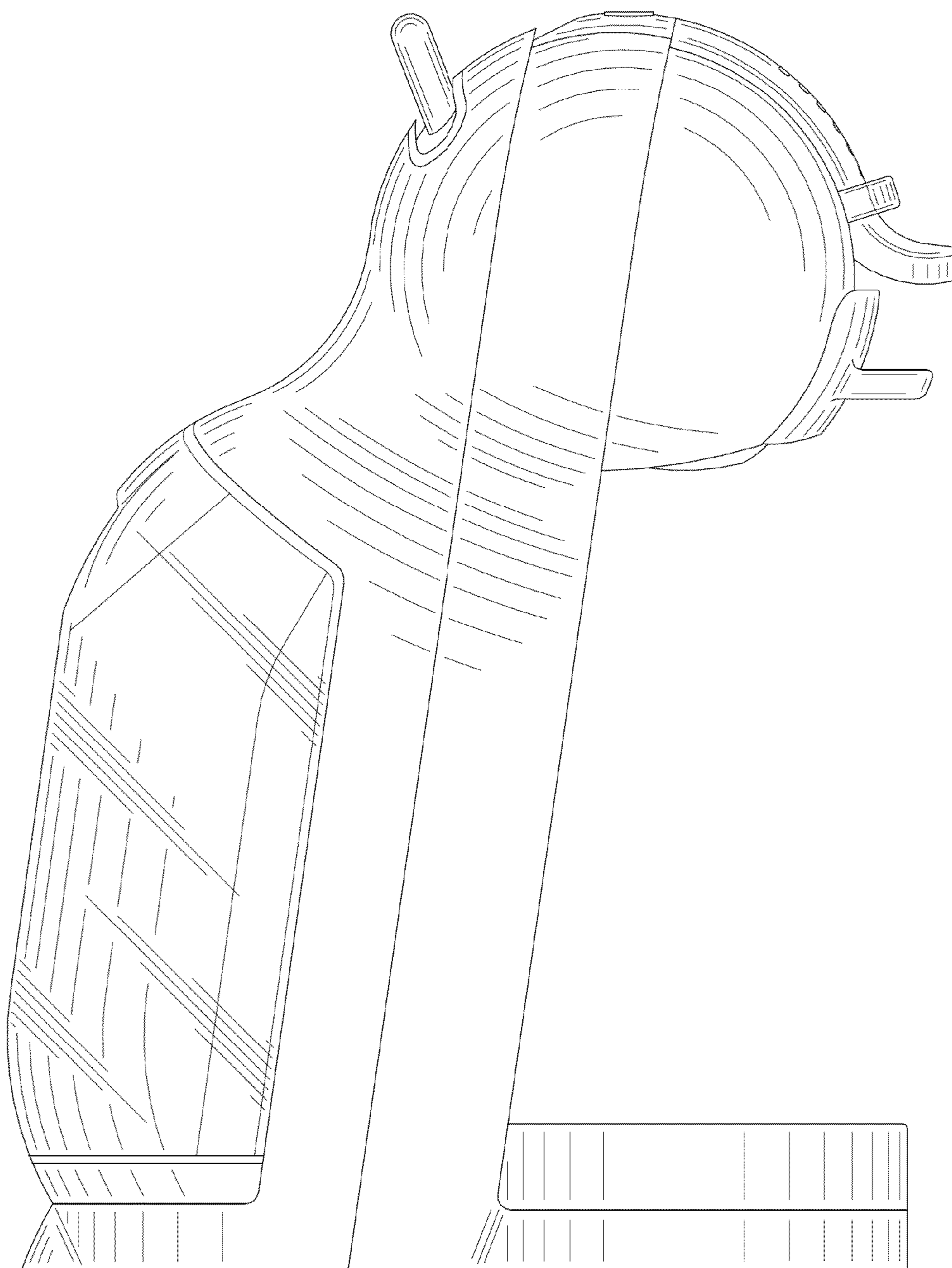


FIG. 12

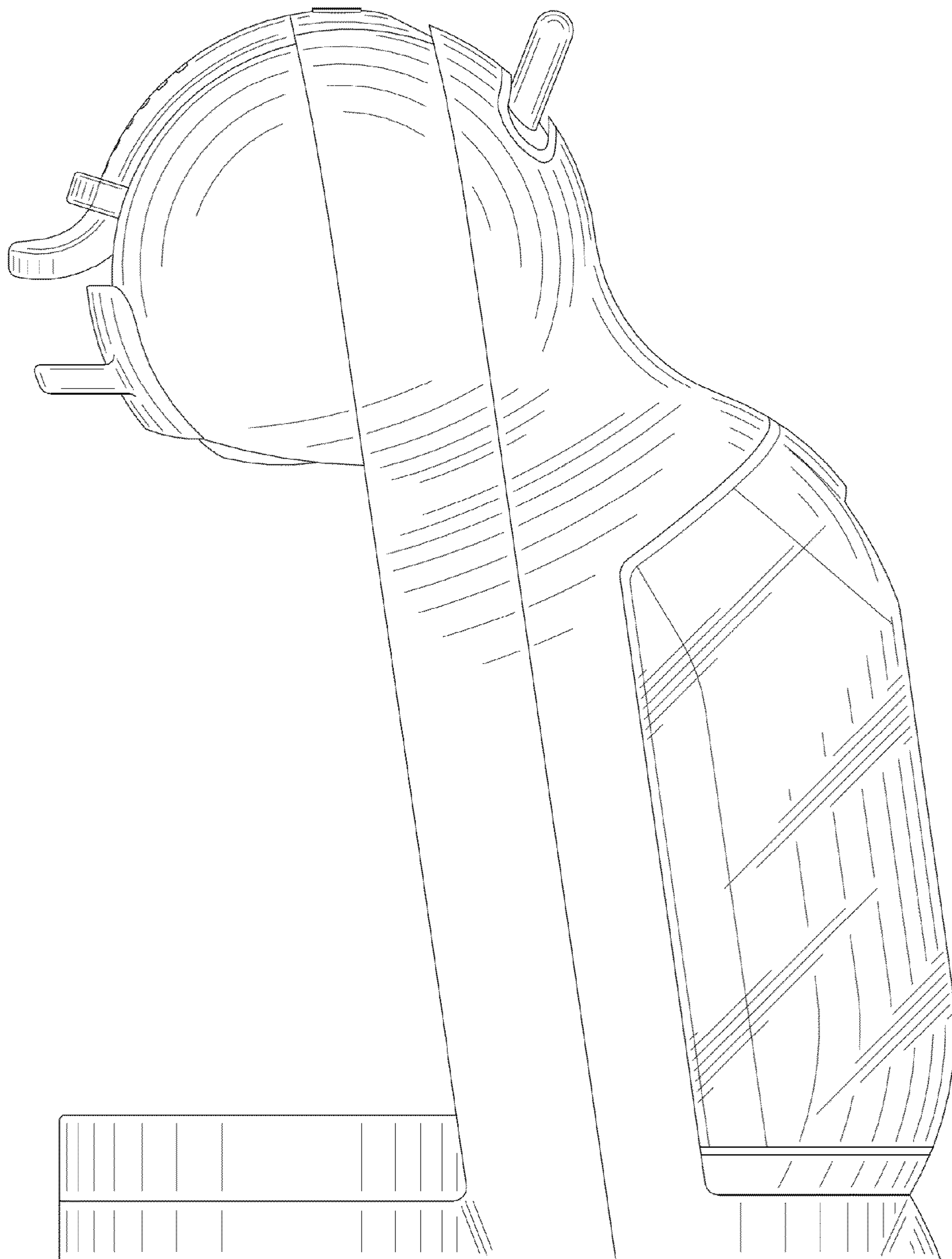


FIG. 13

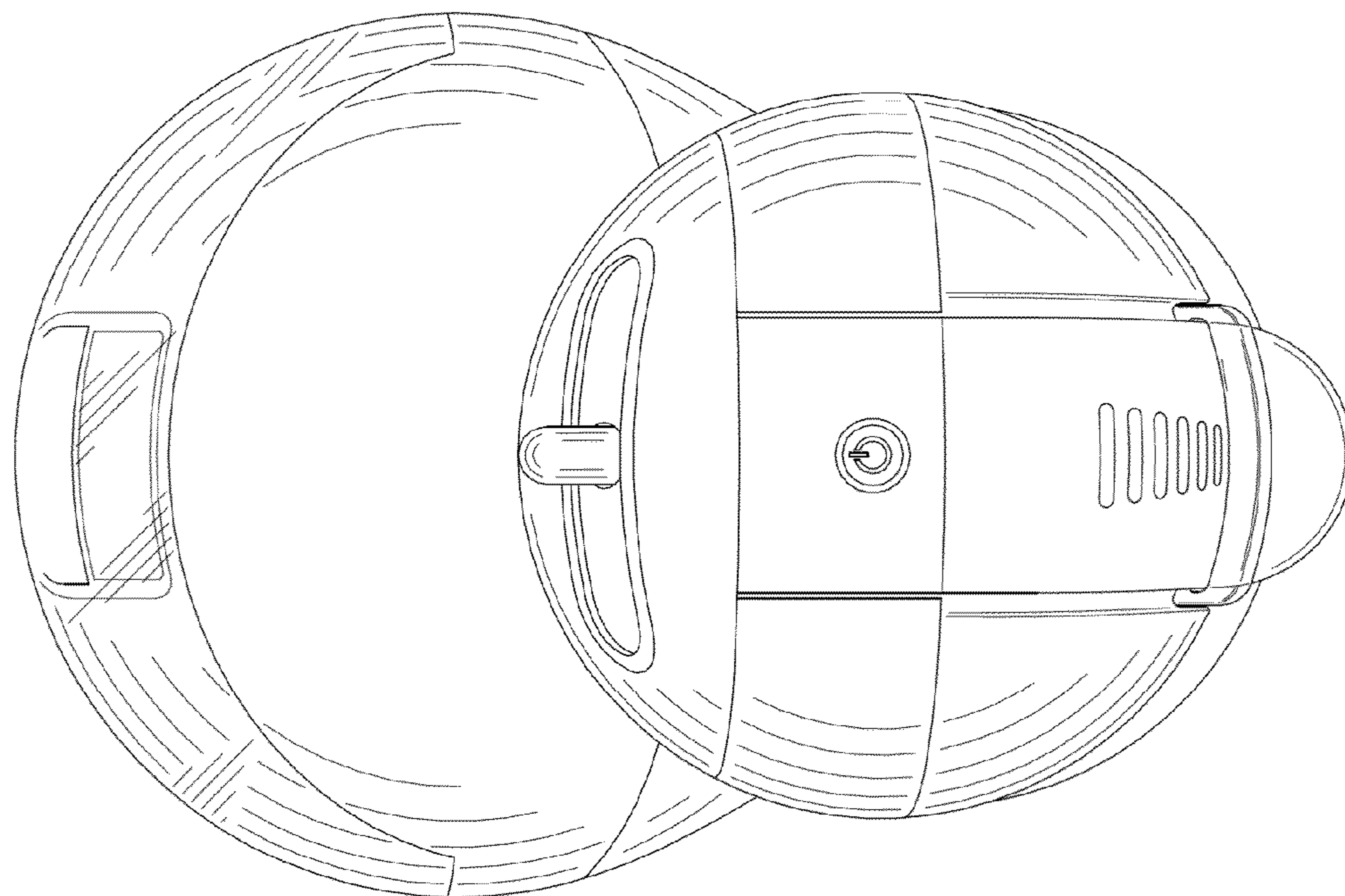


FIG. 14

