



US00D699063S

(12) **United States Design Patent**
Stitchick et al.

(10) **Patent No.:** **US D699,063 S**

(45) **Date of Patent:** **** Feb. 11, 2014**

(54) **COVER FOR PLAY YARDS AND CRIBS**

(71) Applicant: **Foundations Worldwide, Inc.**, Medina, OH (US)

(72) Inventors: **David Stitchick**, Norton, OH (US);
Robert Kansa, Akron, OH (US); **Joseph A. Lawlor**, Medina, OH (US)

(73) Assignee: **Foundations Worldwide, Inc.**, Medina, OH (US)

(**) Term: **14 Years**

(21) Appl. No.: **29/433,150**

(22) Filed: **Sep. 26, 2012**

(51) **LOC (10) Cl.** **06-06**

(52) **U.S. Cl.**
USPC **D6/718; D6/331**

(58) **Field of Classification Search**
USPC **D6/331, 390, 391, 718; 5/93.1, 97, 5/98.1, 98.2, 99.1**

See application file for complete search history.

(56) **References Cited**

U.S. PATENT DOCUMENTS

2,566,790	A	3/1946	Bloomfield	
D416,719	S	11/1999	Zaidman	
6,119,288	A *	9/2000	Hendrickson	5/97
D464,220	S	10/2002	Hartenstine et al.	
6,895,611	B2	5/2005	Tharalson et al.	
D520,262	S *	5/2006	Hsu	D6/390
7,055,191	B1 *	6/2006	Chen	5/93.2

7,284,289	B1	10/2007	Biagini	
D572,961	S	7/2008	Costa	
7,401,366	B1	7/2008	Costa	
7,430,770	B2	10/2008	Ramirez	
7,543,342	B2 *	6/2009	Zhao et al.	5/93.1
D607,220	S	1/2010	Hardy et al.	
D616,665	S	6/2010	Dumais	
D672,988	S *	12/2012	Suvak et al.	D6/718
2005/0217026	A1	10/2005	Ramirez	
2006/0168722	A1	8/2006	Ramirez	

* cited by examiner

Primary Examiner — Janice Seeger

(74) *Attorney, Agent, or Firm* — Christopher L. Parmelee; Walker & Jocke

(57) **CLAIM**

The ornamental design for a cover for play yards and cribs, as shown and described.

DESCRIPTION

FIG. 1 is a top, front, right side perspective view showing our new design for a cover for play yards and cribs.

FIG. 2 is a bottom, front, right side perspective view thereof.

FIG. 3 is front view thereof, the back thereof being a mirror image without claimed subject matter.

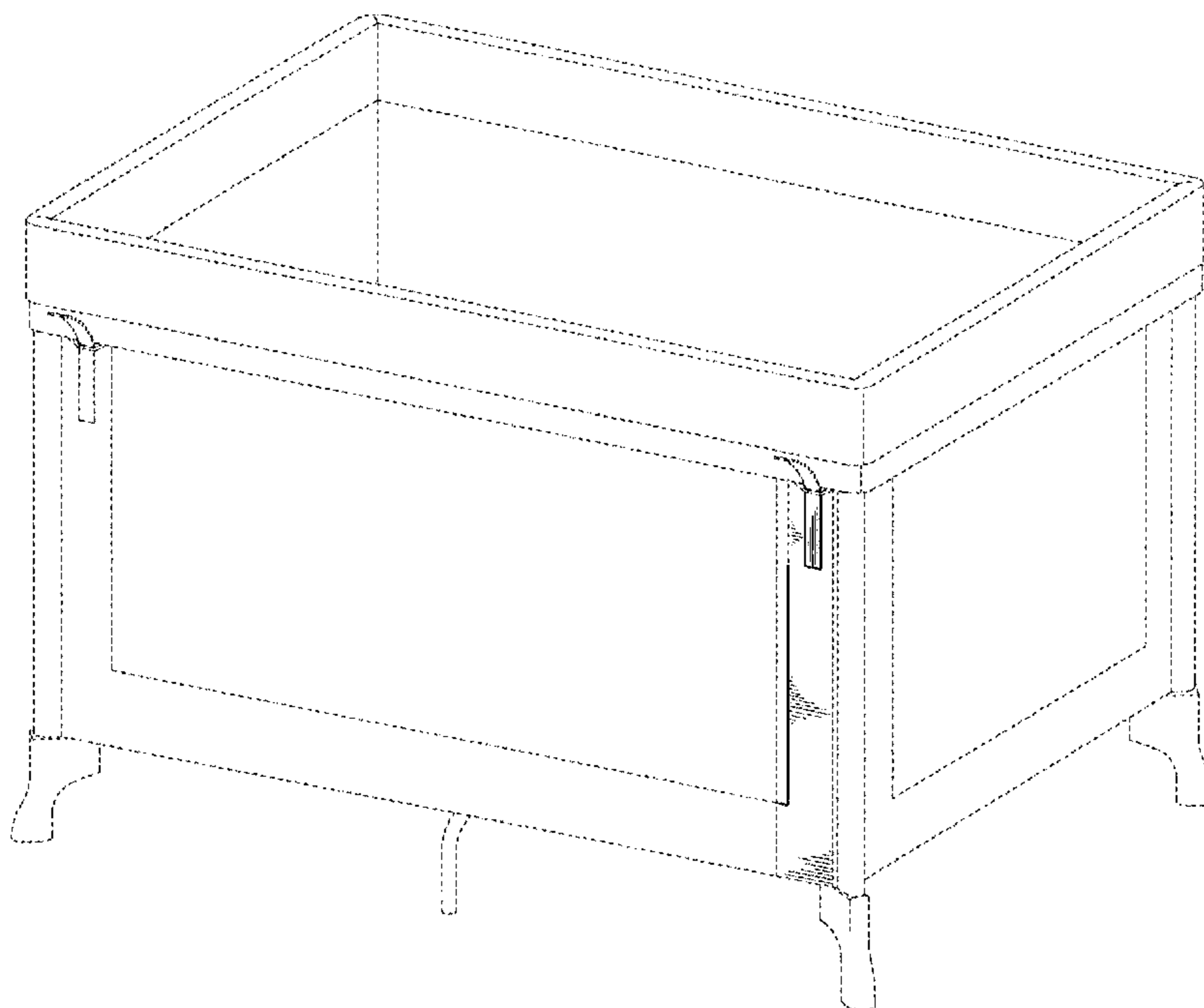
FIG. 4 is a right side view thereof, the left side thereof being a mirror image.

FIG. 5 is a top view thereof; and,

FIG. 6 is a bottom view thereof.

The broken lines adjacent the shaded areas represent the boundaries of the claimed design, while the other broken lines depict environmental subject matter only, and form no part of the claimed design.

1 Claim, 6 Drawing Sheets



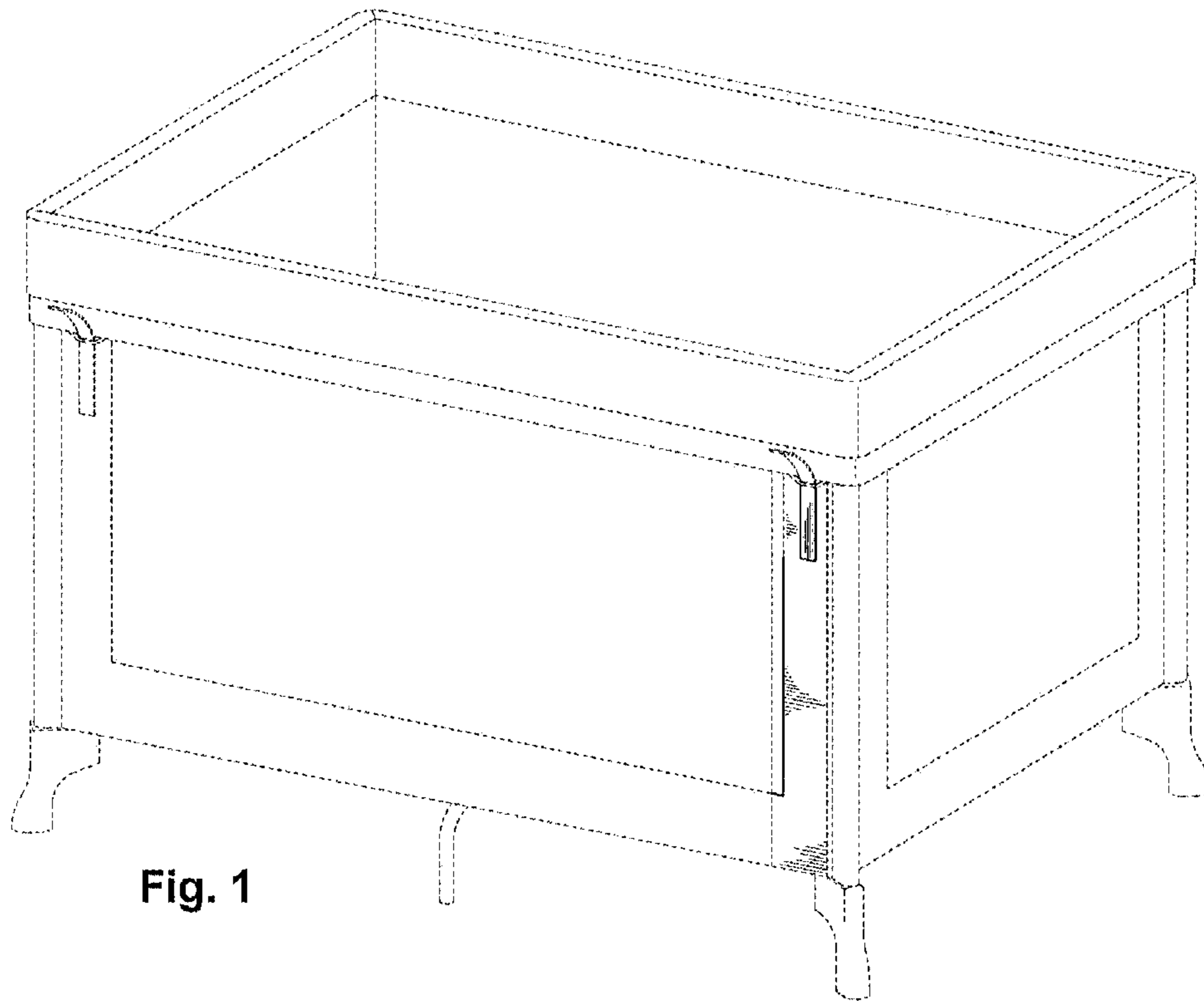


Fig. 1

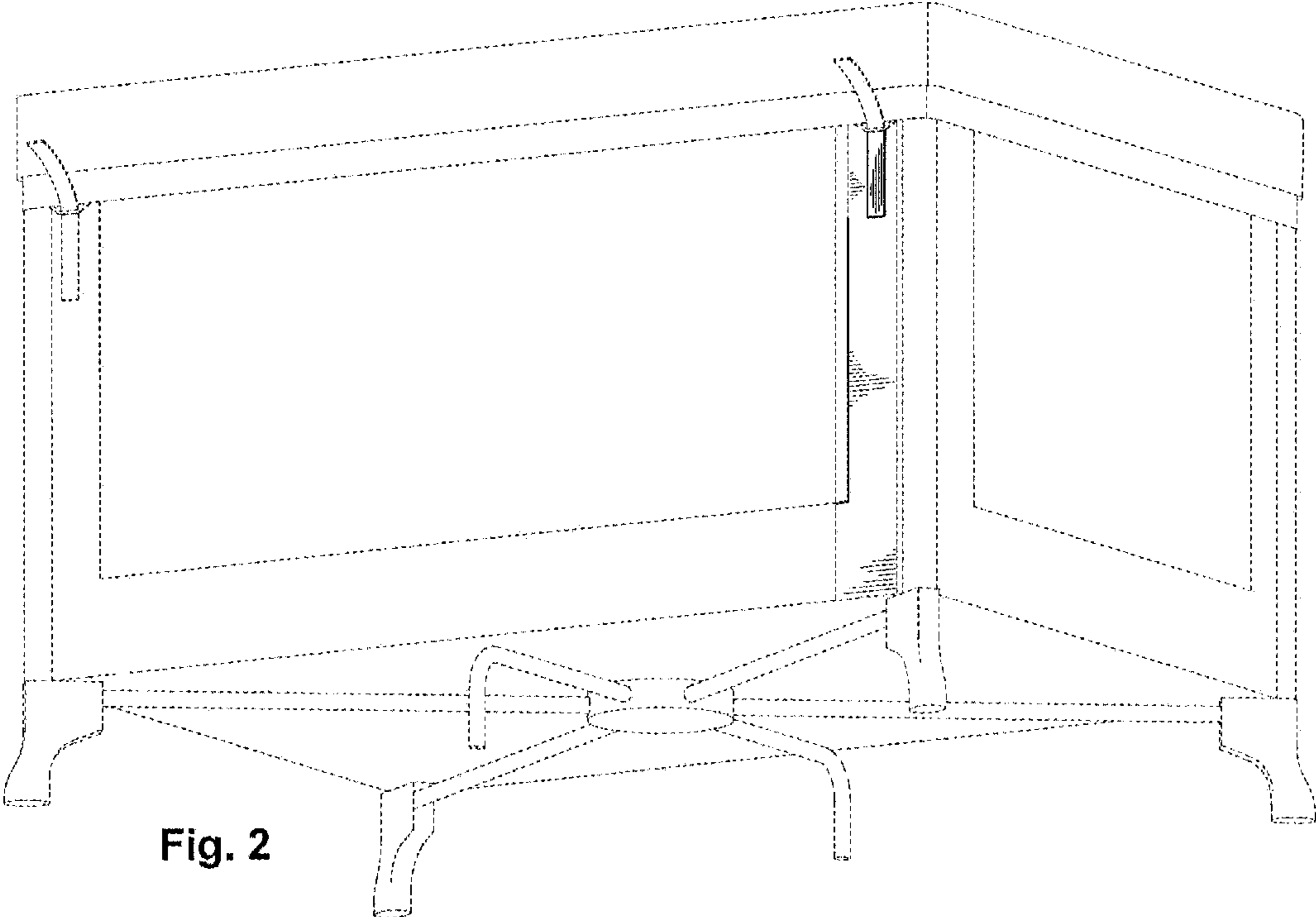


Fig. 2

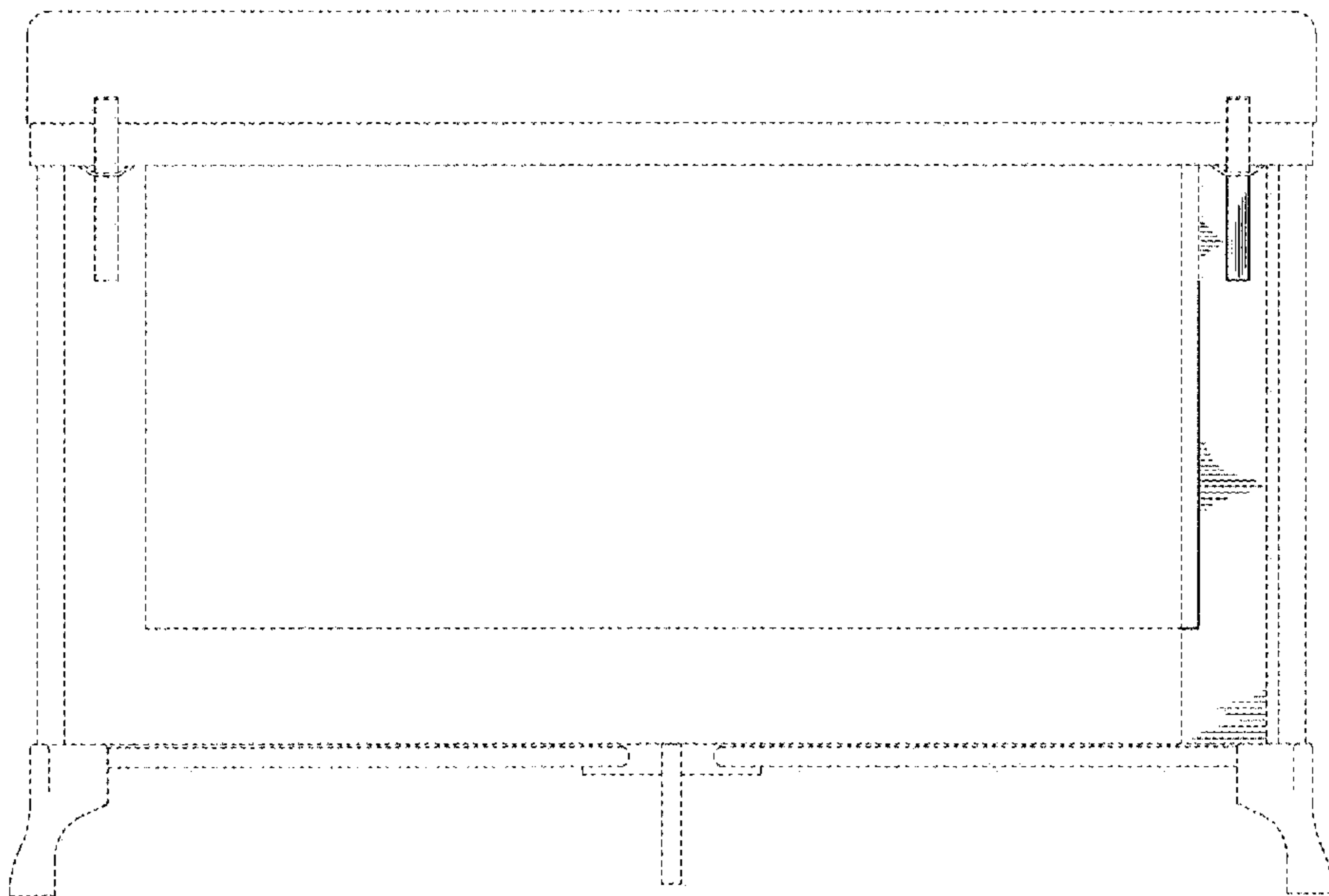


Fig. 3

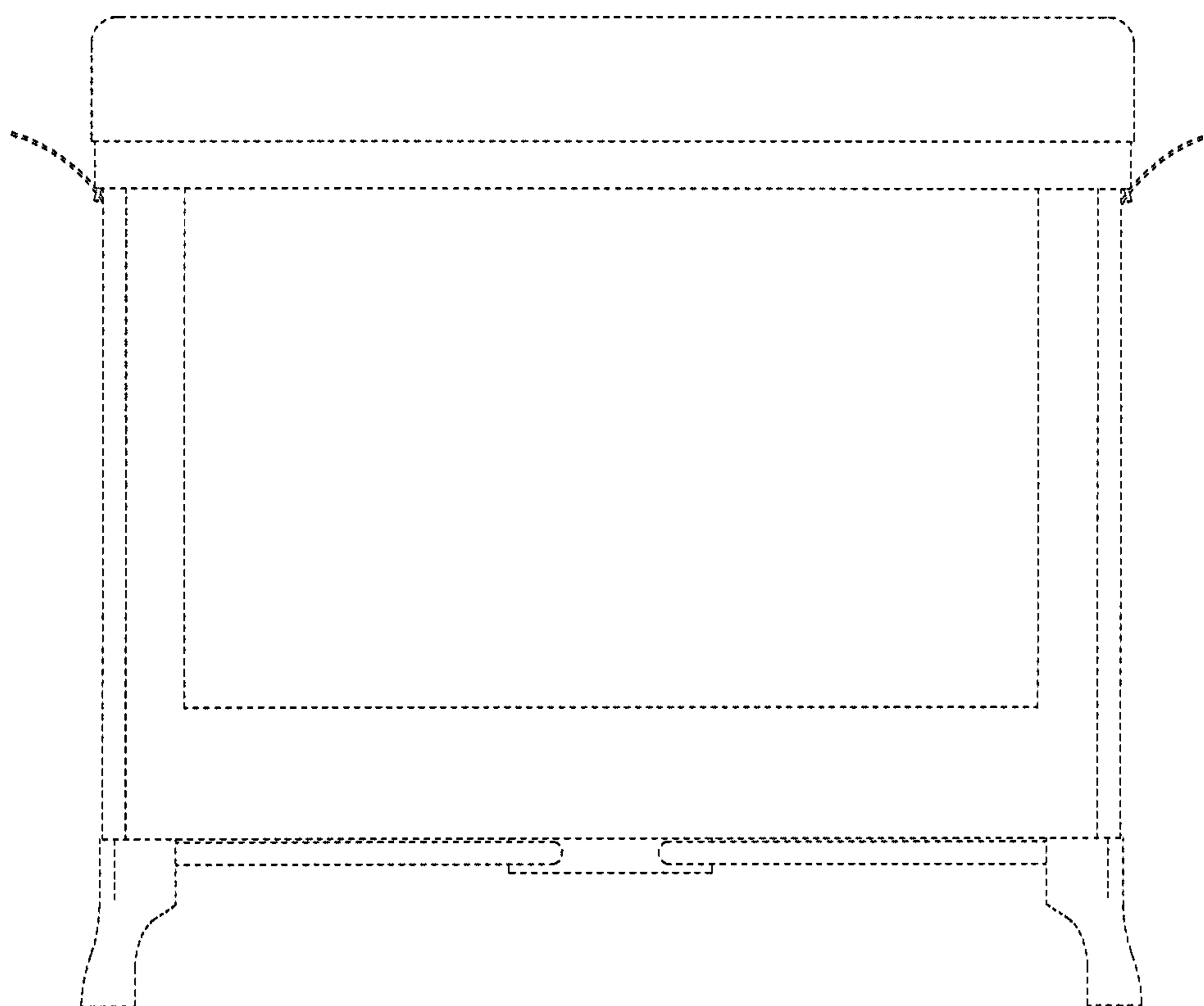
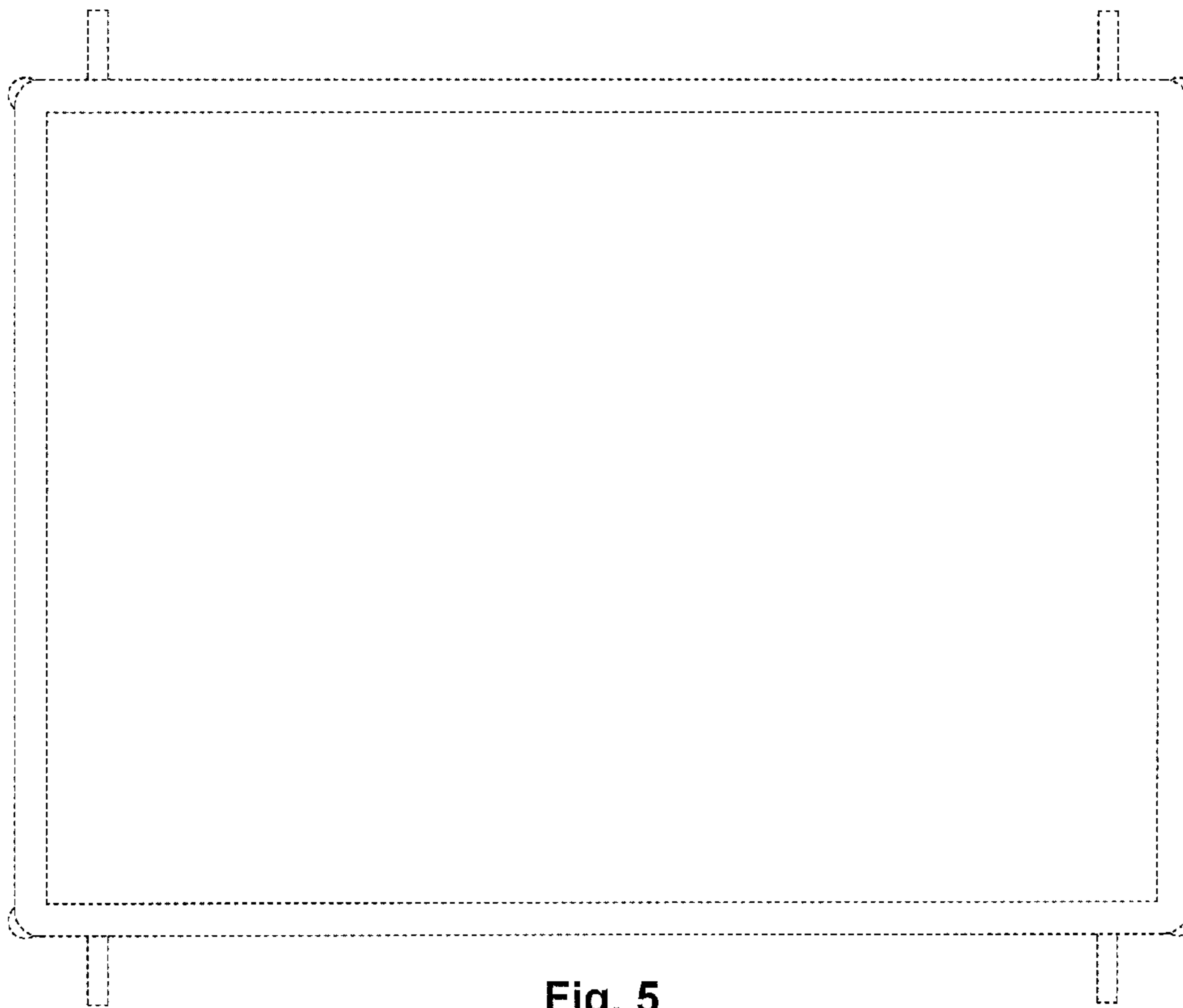


Fig. 4



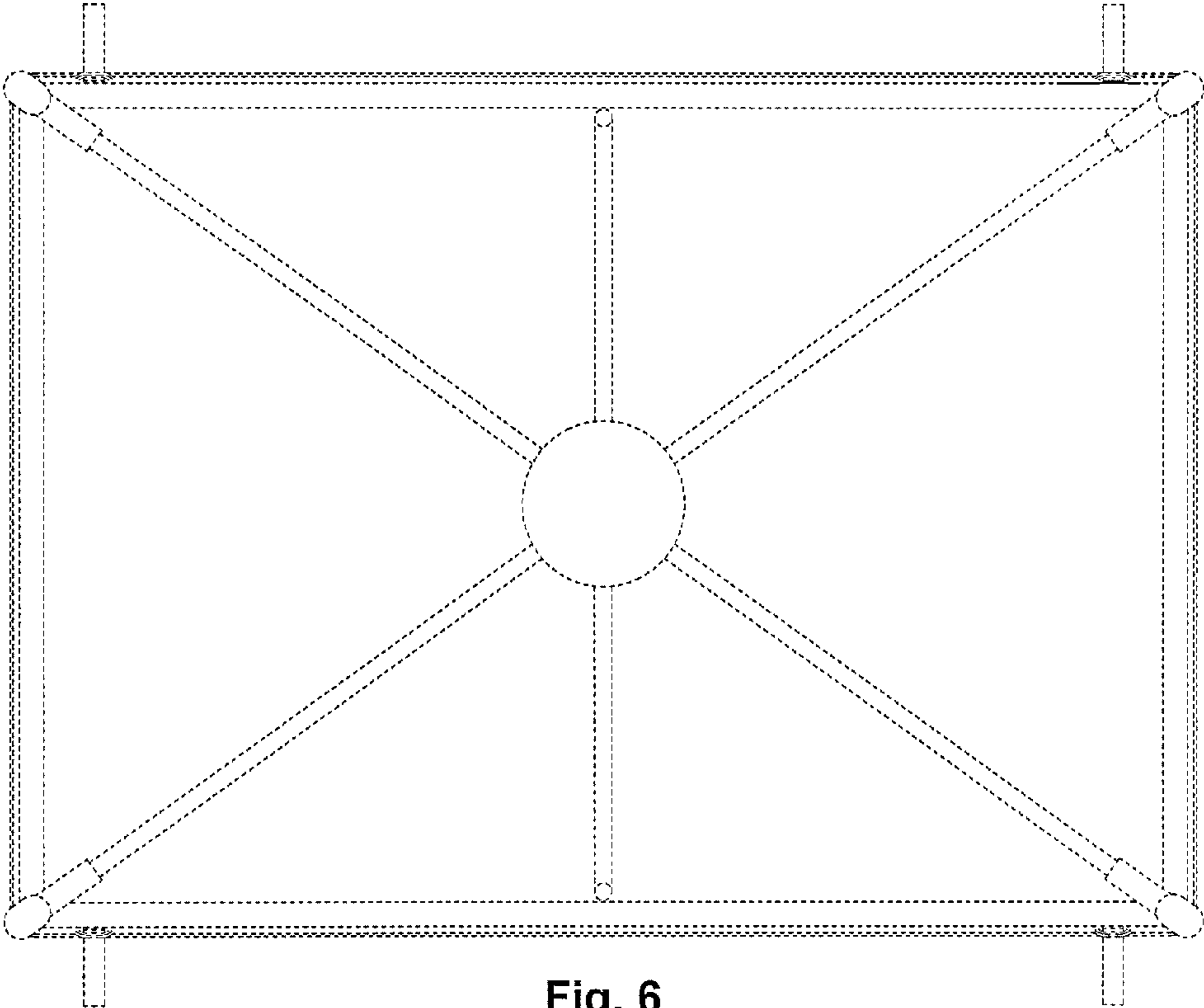


Fig. 6