

US00D699059S

(12) **United States Design Patent**  
**Kim**

(10) **Patent No.:** **US D699,059 S**

(45) **Date of Patent:** **\*\* Feb. 11, 2014**

(54) **FINISHING MATERIAL FOR A SHOWCASE**

(71) Applicant: **Seidae Industrial Co., Ltd.**, Goyang-si (KR)

(72) Inventor: **Deok-Rae Kim**, Goyang-si (KR)

(73) Assignee: **Seidae Industrial Co., Ltd.**, Goyang-Si (KR)

(\*\*) Term: **14 Years**

(21) Appl. No.: **29/470,677**

(22) Filed: **Oct. 24, 2013**

(30) **Foreign Application Priority Data**

Sep. 26, 2013 (KR) ..... 30-2013-0048961

(51) **LOC (10) Cl.** ..... **06-06**

(52) **U.S. Cl.**  
USPC ..... **D6/702**

(58) **Field of Classification Search**  
USPC ..... D6/491, 509, 511, 561, 582-583, 702;  
D25/119-125, 138; D8/349, 354, 373,  
D8/380, 382; 211/88, 90, 126, 134-135,  
211/187, 193

See application file for complete search history.

(56) **References Cited**

**U.S. PATENT DOCUMENTS**

D340,639 S \* 10/1993 Remmers ..... D8/381  
D383,339 S \* 9/1997 Grosfillex ..... D6/511  
D520,553 S \* 5/2006 Bogdan et al. .... D17/20  
D524,586 S \* 7/2006 Menard ..... D6/629  
D534,069 S \* 12/2006 Ohno et al. .... D3/298  
D550,070 S \* 9/2007 Lucht ..... D8/381

D579,204 S \* 10/2008 Chen ..... D3/315  
D587,562 S \* 3/2009 Fernandez ..... D8/381  
D604,967 S \* 12/2009 da Silva Netto et al. .... D6/491  
8,109,059 B2 \* 2/2012 Proot ..... 52/468  
D660,623 S \* 5/2012 Petrick et al. .... D6/510  
D665,756 S \* 8/2012 Tseng ..... D13/167  
D673,391 S \* 1/2013 Whitehead ..... D6/682.4  
D674,620 S \* 1/2013 Petrick et al. .... D6/407

\* cited by examiner

*Primary Examiner* — Kelley Donnelly

(74) *Attorney, Agent, or Firm* — Lexyoume IP Meister, PLLC.

(57) **CLAIM**

The ornamental design for finishing material for a showcase, as shown and described.

**DESCRIPTION**

FIG. 1 is a top and left side perspective view of a finishing material for a showcase showing my new design;  
FIG. 2 is a front elevational view thereof;  
FIG. 3 is a rear elevational view thereof;  
FIG. 4 is a left side elevational view thereof;  
FIG. 5 is a right side elevational view thereof;  
FIG. 6 is a top plan view thereof;  
FIG. 7 is a bottom plan view thereof;  
FIG. 8 is a top and right side perspective view thereof;  
FIG. 9 is a bottom and left side perspective view thereof;  
FIG. 10 is a bottom and right side perspective view thereof;  
and,  
FIG. 11 is a top and left side perspective view thereof shown in environment.  
The broken lines showing in FIG. 11 are for the purposes of illustrating the environment of the article only and form no part of the claimed design.

**1 Claim, 5 Drawing Sheets**

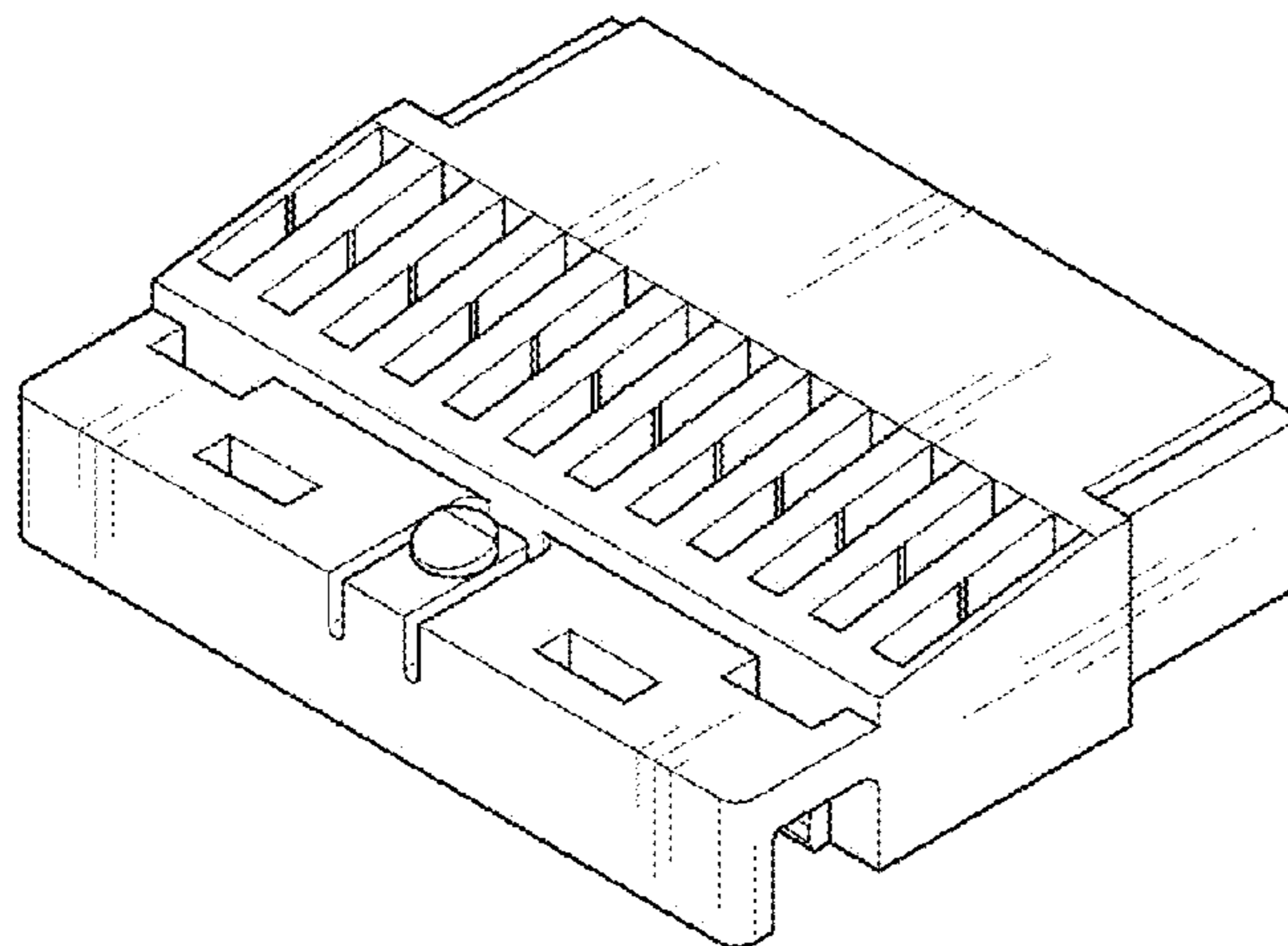


FIG. 1

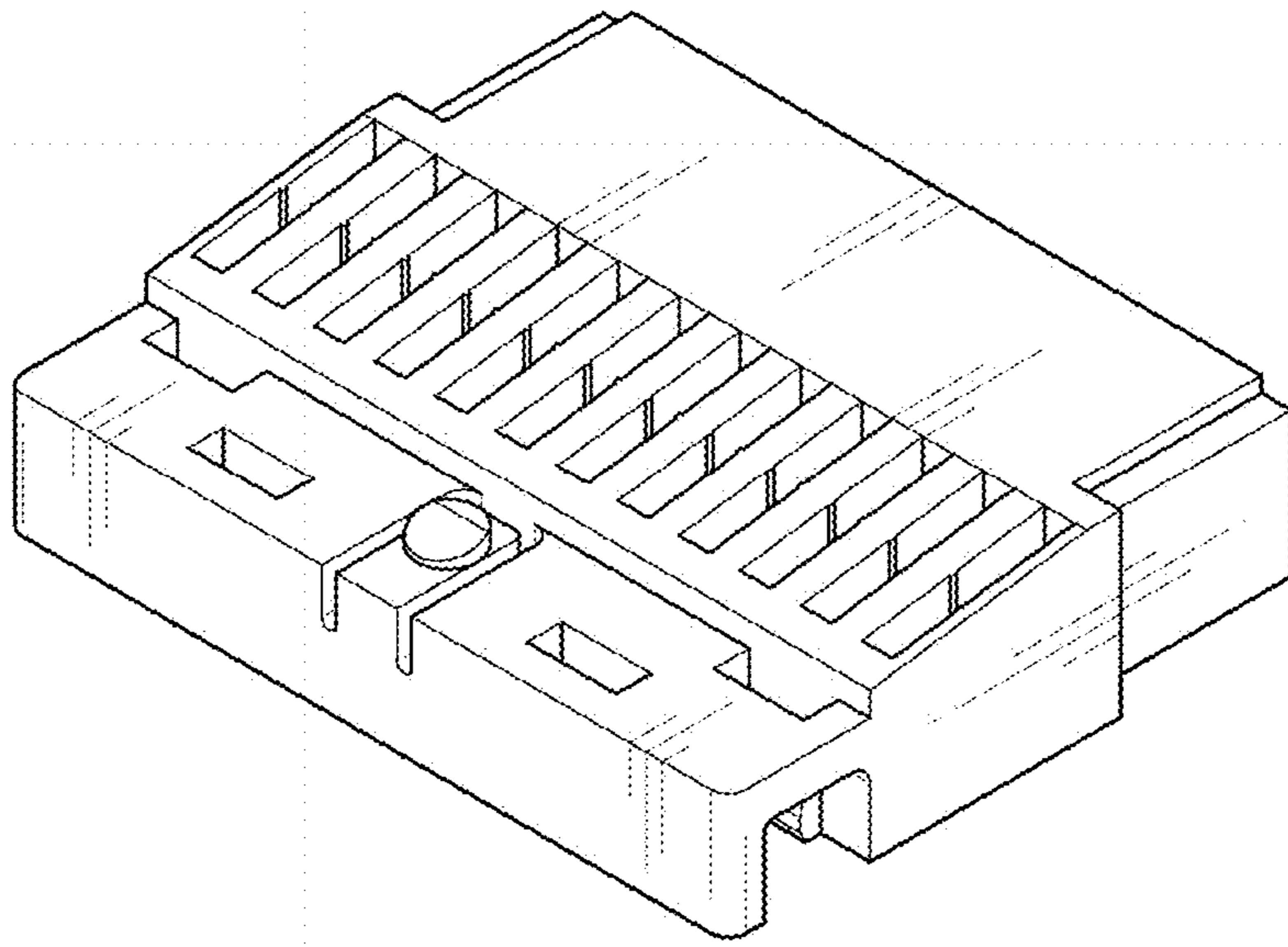


FIG. 2

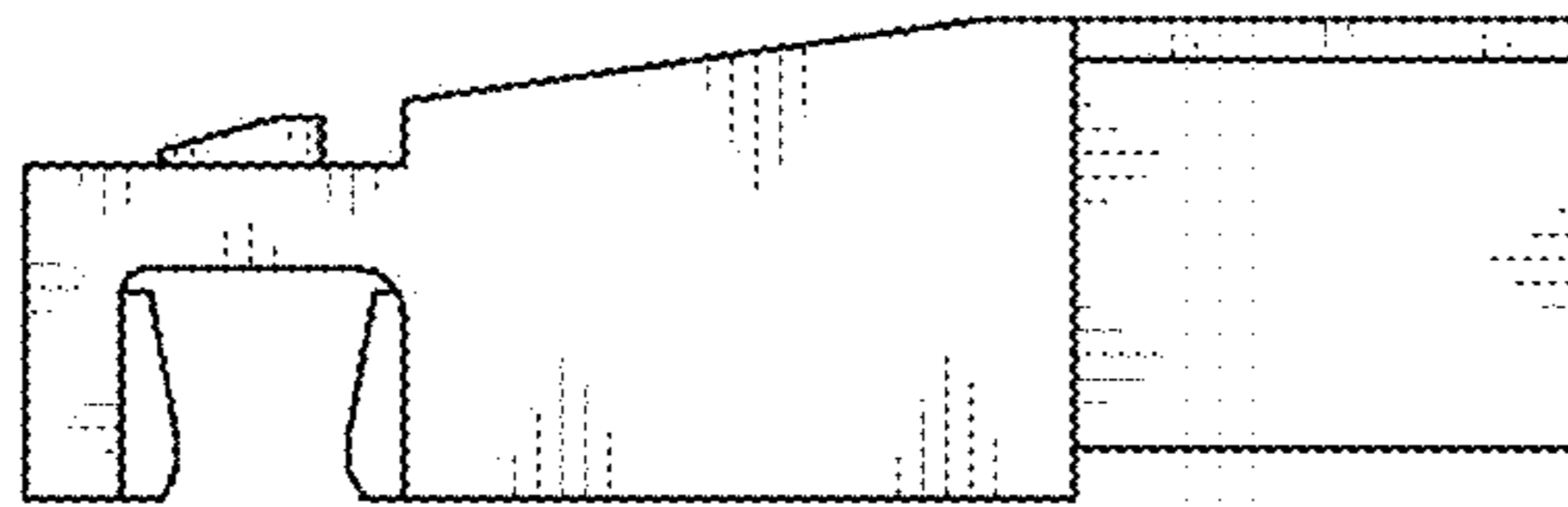


FIG. 3

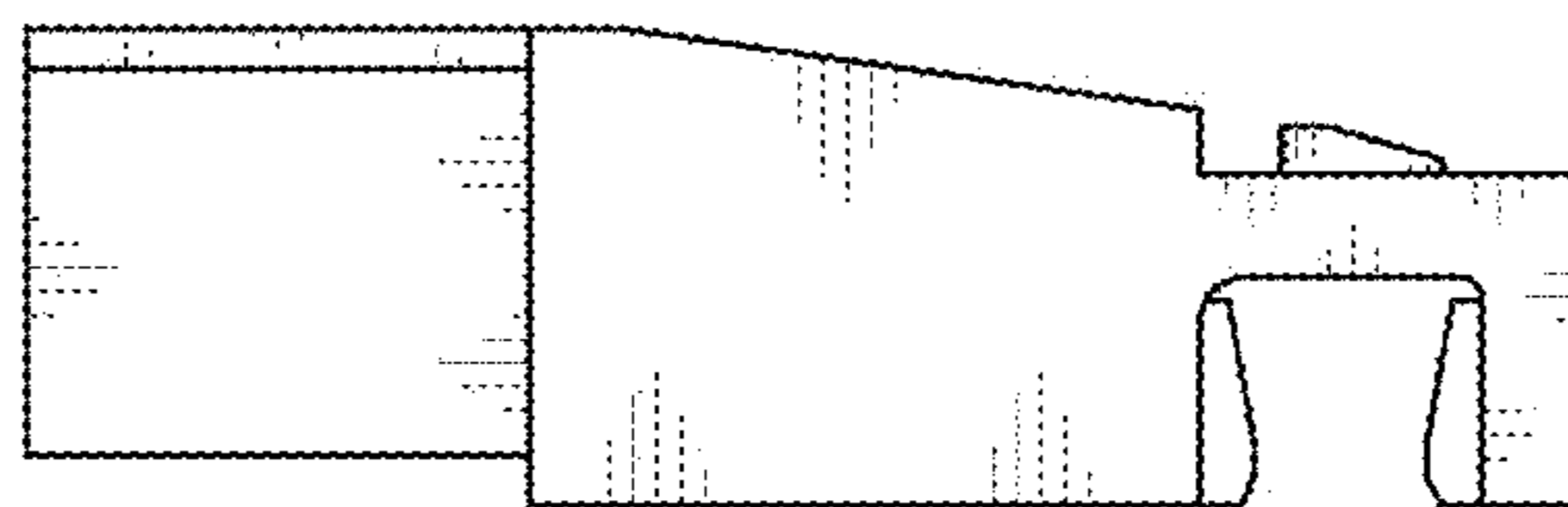


FIG. 4

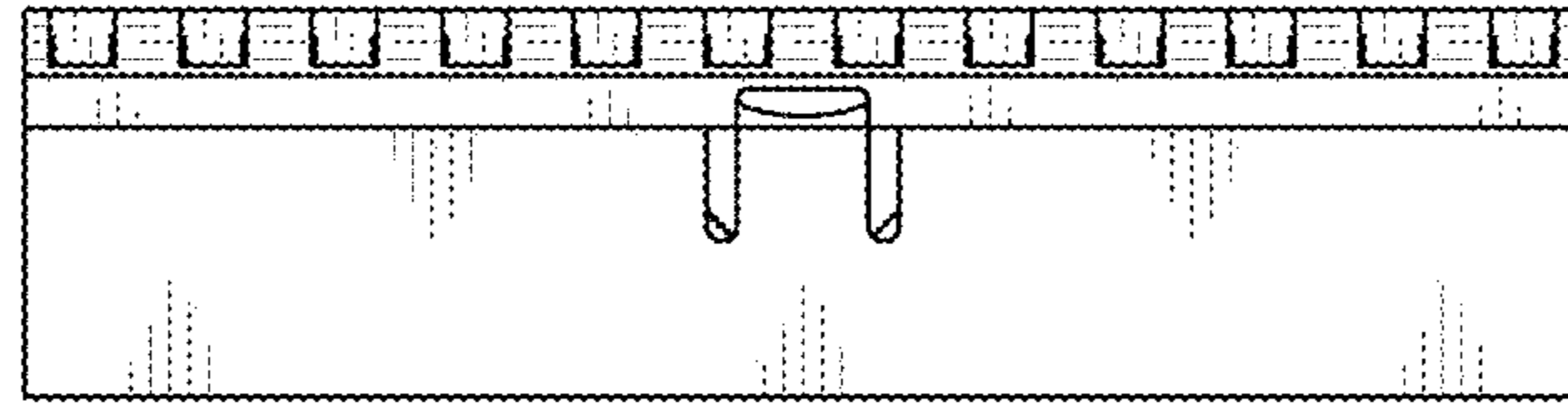


FIG. 5

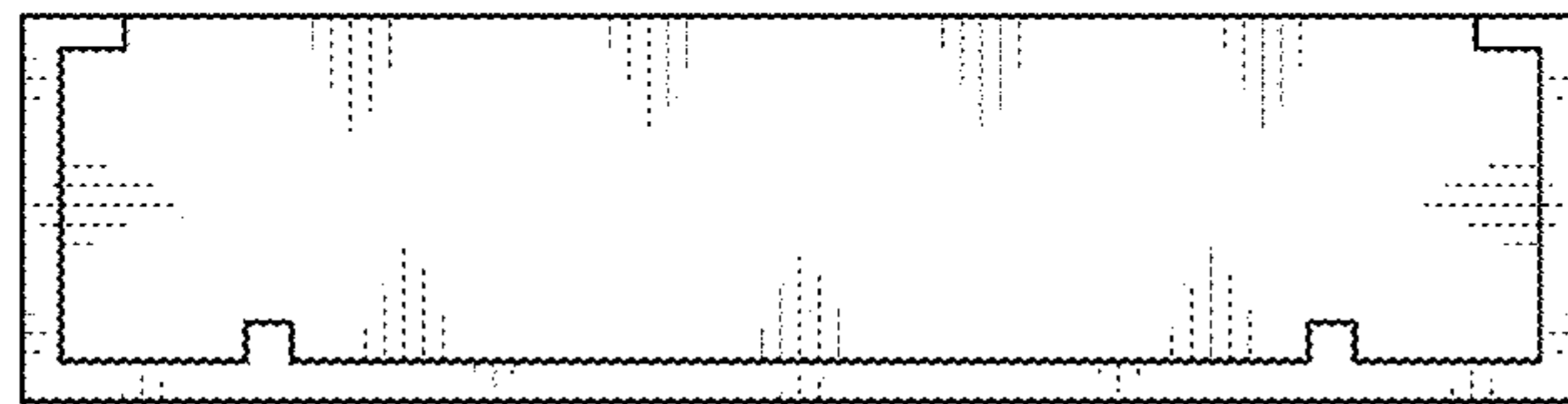


FIG. 6

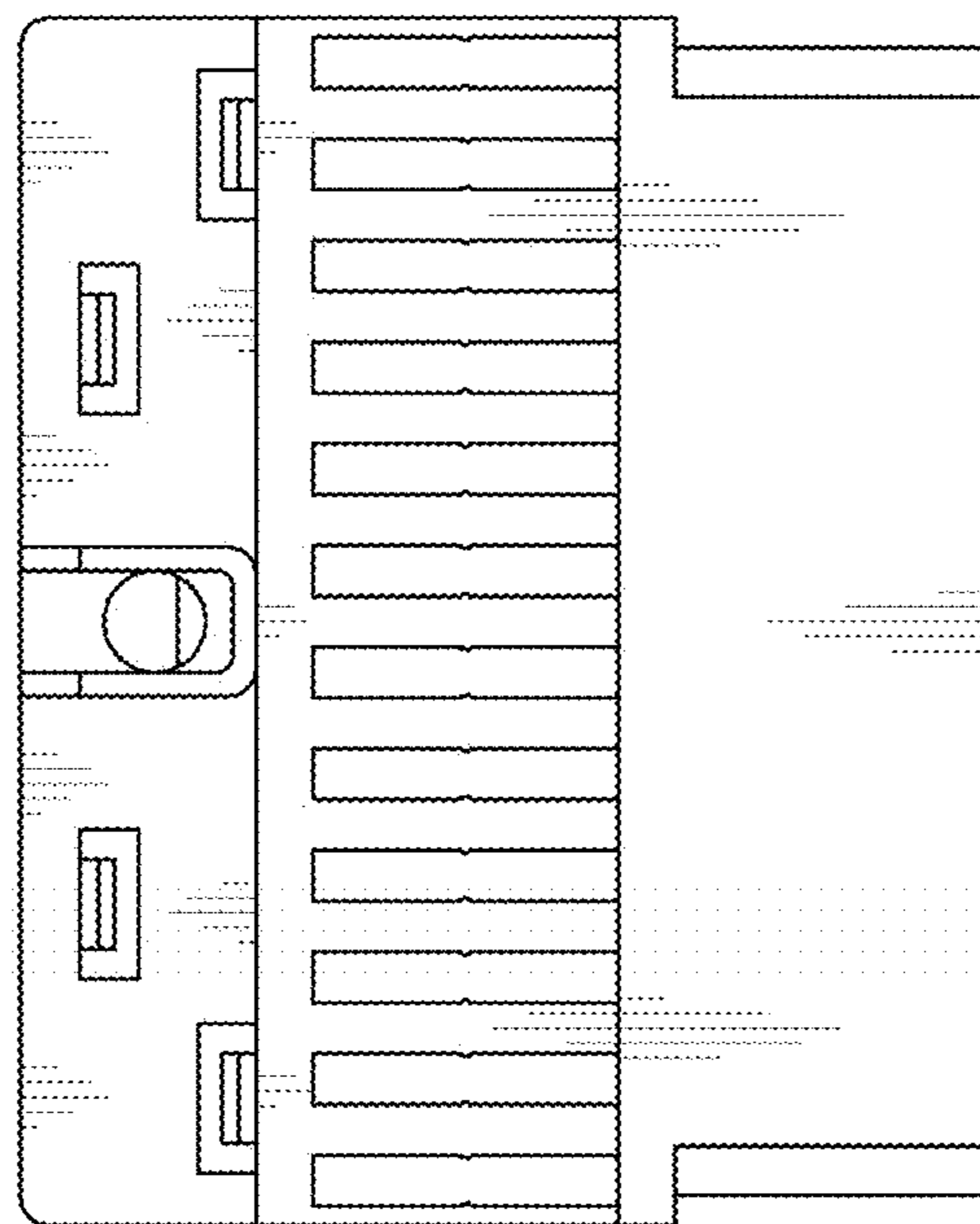


FIG. 7

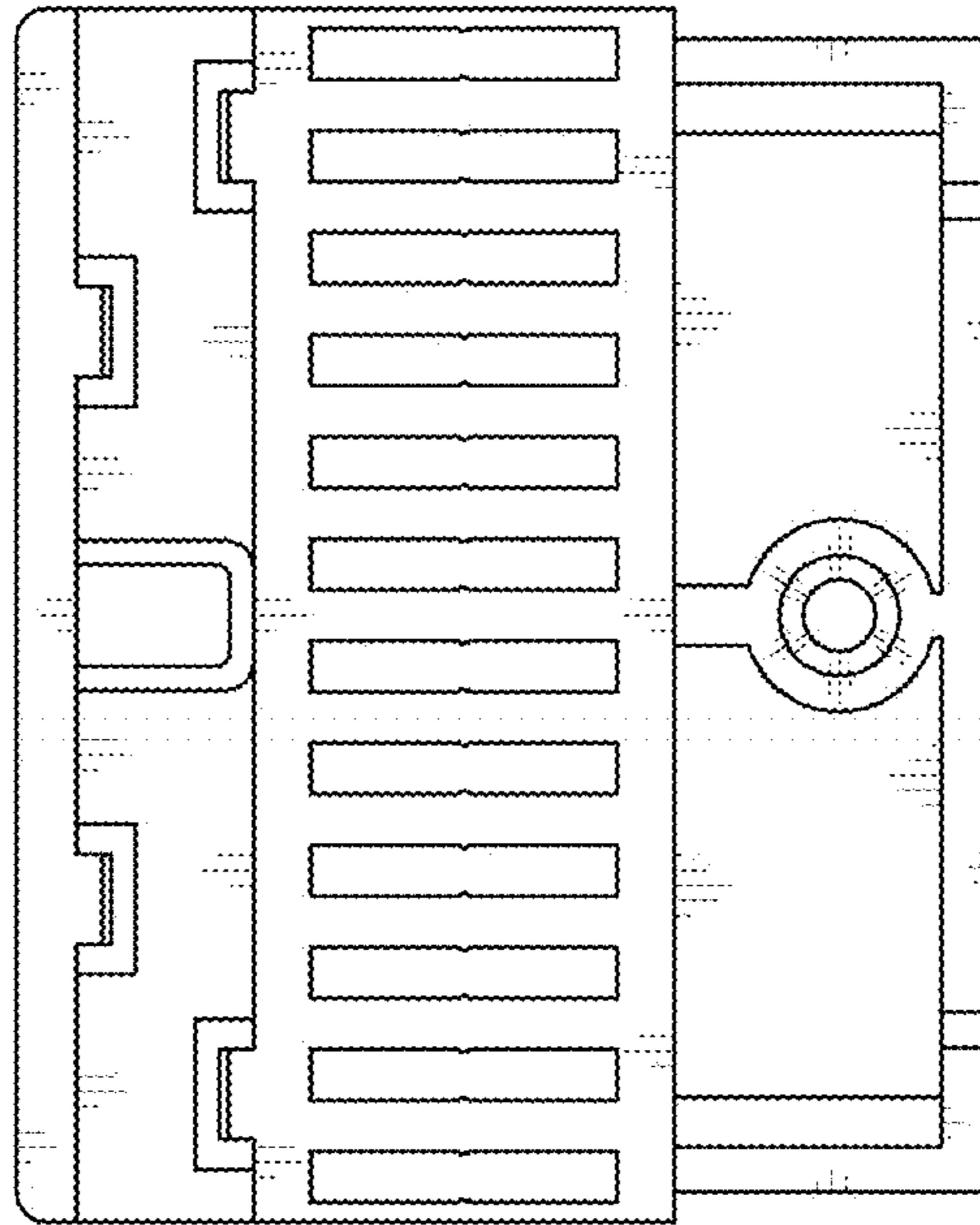


FIG. 8

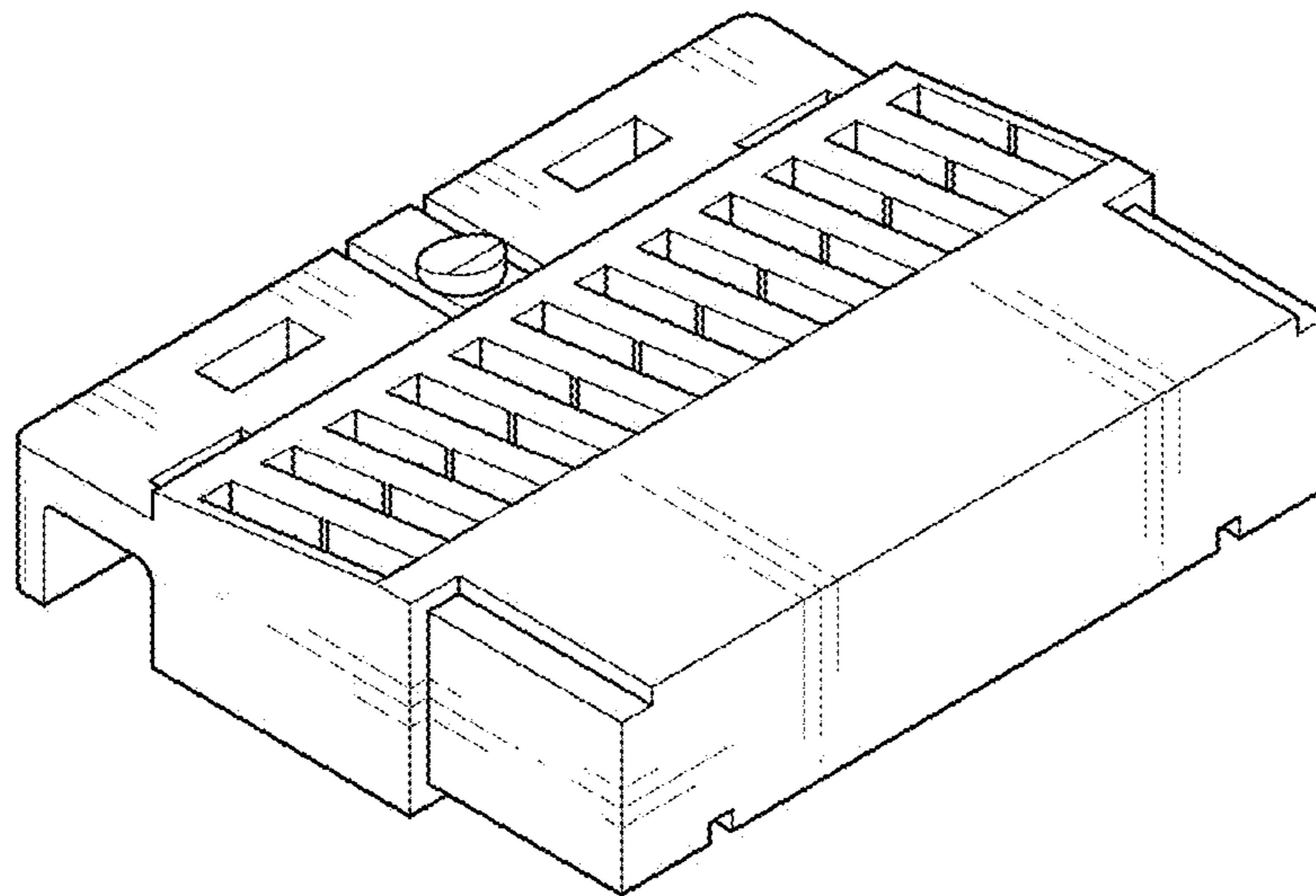


FIG. 9

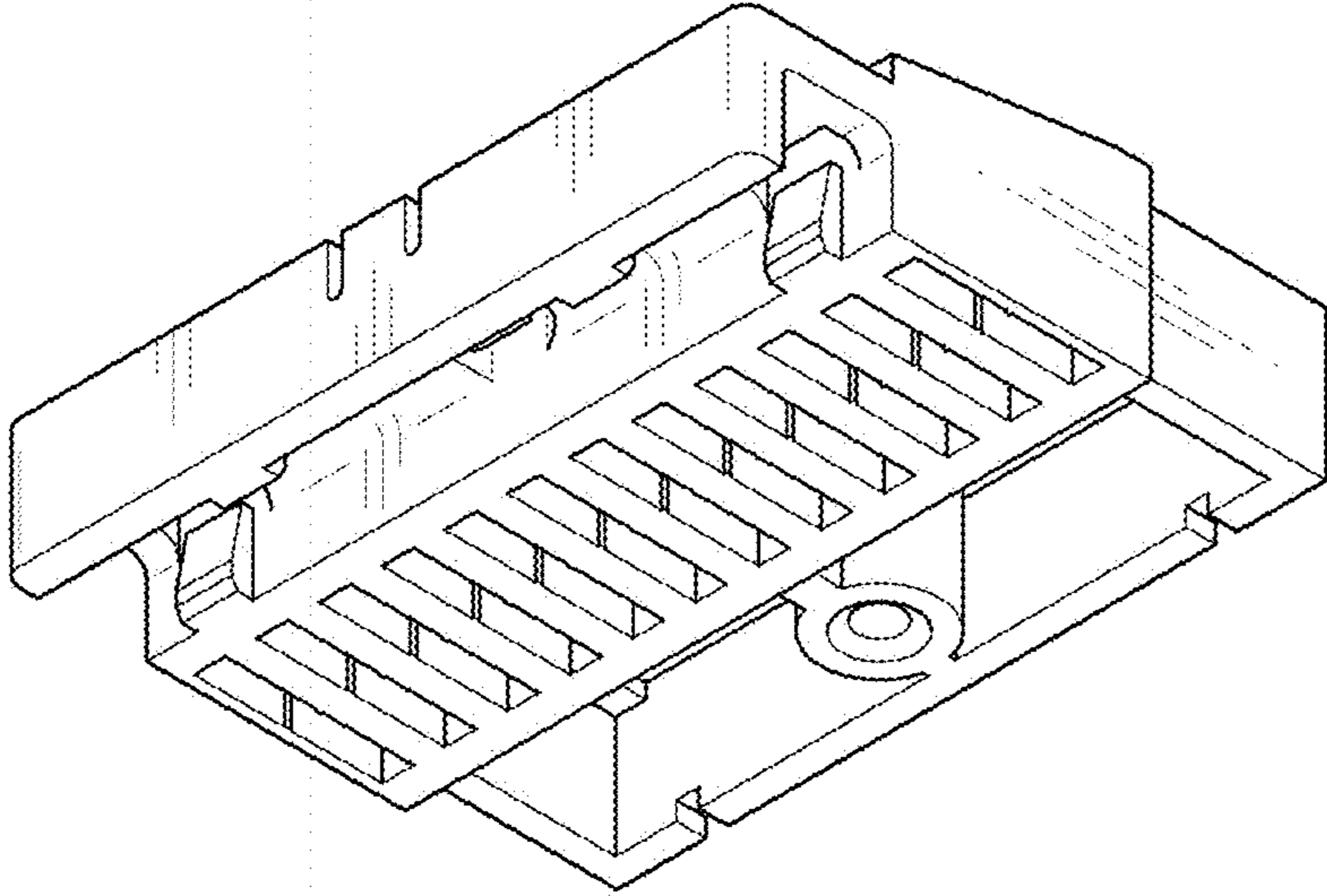


FIG. 10

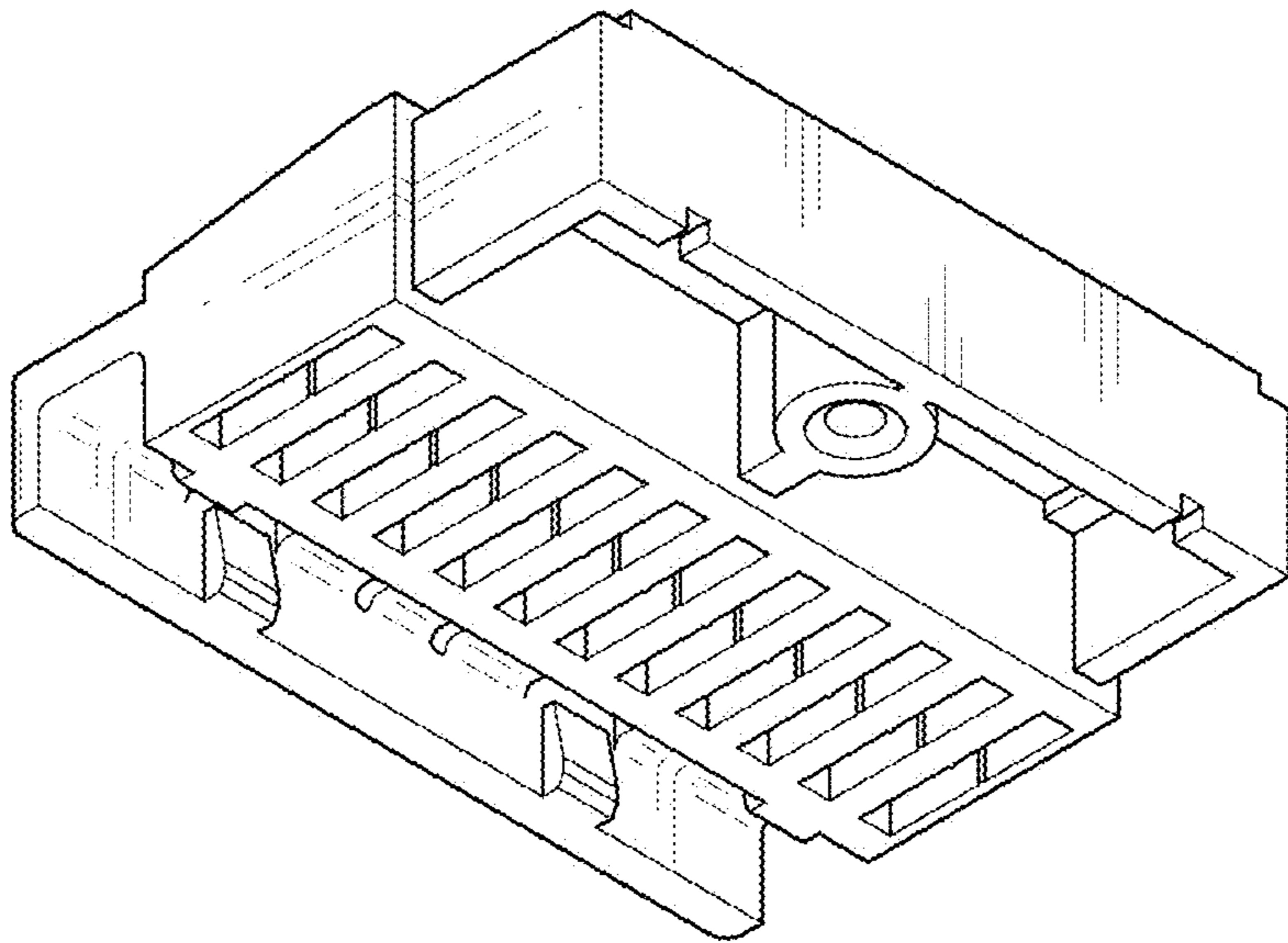


FIG. 11

