

US00D699058S

(12) **United States Design Patent**  
**Reid et al.**

(10) **Patent No.:** **US D699,058 S**  
(45) **Date of Patent:** **\*\* Feb. 11, 2014**

- (54) **GOLF MEMORABILIA DISPLAY**
- (71) Applicants: **Dion J. Reid**, West Chester, OH (US);  
**Deron Michael Reid**, San Antonio, TX (US)
- (72) Inventors: **Dion J. Reid**, West Chester, OH (US);  
**Deron Michael Reid**, San Antonio, TX (US)

D573,940 S *	7/2008	Heneghan et al. ....	D12/425
D588,830 S *	3/2009	Chochinov et al. ....	D6/406.3
D591,074 S *	4/2009	Powers et al. ....	D6/406.6
D616,669 S *	6/2010	McMahon-Miller ....	D6/449
D640,883 S *	7/2011	Colfer et al. ....	D6/397
D652,932 S *	1/2012	Petteway ....	D24/164
D655,939 S *	3/2012	Tracy ....	D6/397
D666,025 S *	8/2012	Cobbett et al. ....	D6/466
D683,348 S *	5/2013	Xiang et al. ....	D14/447
D683,980 S *	6/2013	Johnson ....	D6/406.3

(\*\*) Term: **14 Years**

(21) Appl. No.: **29/461,951**

(22) Filed: **Jul. 29, 2013**

(51) **LOC (10) Cl.** ..... **06-06**

(52) **U.S. Cl.**  
USPC ..... **D6/682.4**

(58) **Field of Classification Search**  
USPC ..... D6/396-397, 406.3, 449-450, 466-467,  
D6/469, 491-492, 510-511, 672, 682,  
D6/682.1, 682.3, 682.4; 108/28, 59-61,  
108/91-93, 149, 157.1, 158.11, 180;  
211/10-11, 34, 36-37, 90.04, 134,  
211/153, 175, 186, 188; 312/7.2, 9.48, 196,  
312/278-281

See application file for complete search history.

(56) **References Cited**

**U.S. PATENT DOCUMENTS**

5,603,410 A *	2/1997	Kara .....	206/769
D483,969 S *	12/2003	Maholick .....	D6/511
D512,245 S *	12/2005	Bean et al. ....	D6/406.3
D555,162 S *	11/2007	Park et al. ....	D14/447

\* cited by examiner

*Primary Examiner* — Kelley Donnelly

(74) *Attorney, Agent, or Firm* — Patent Capital Group

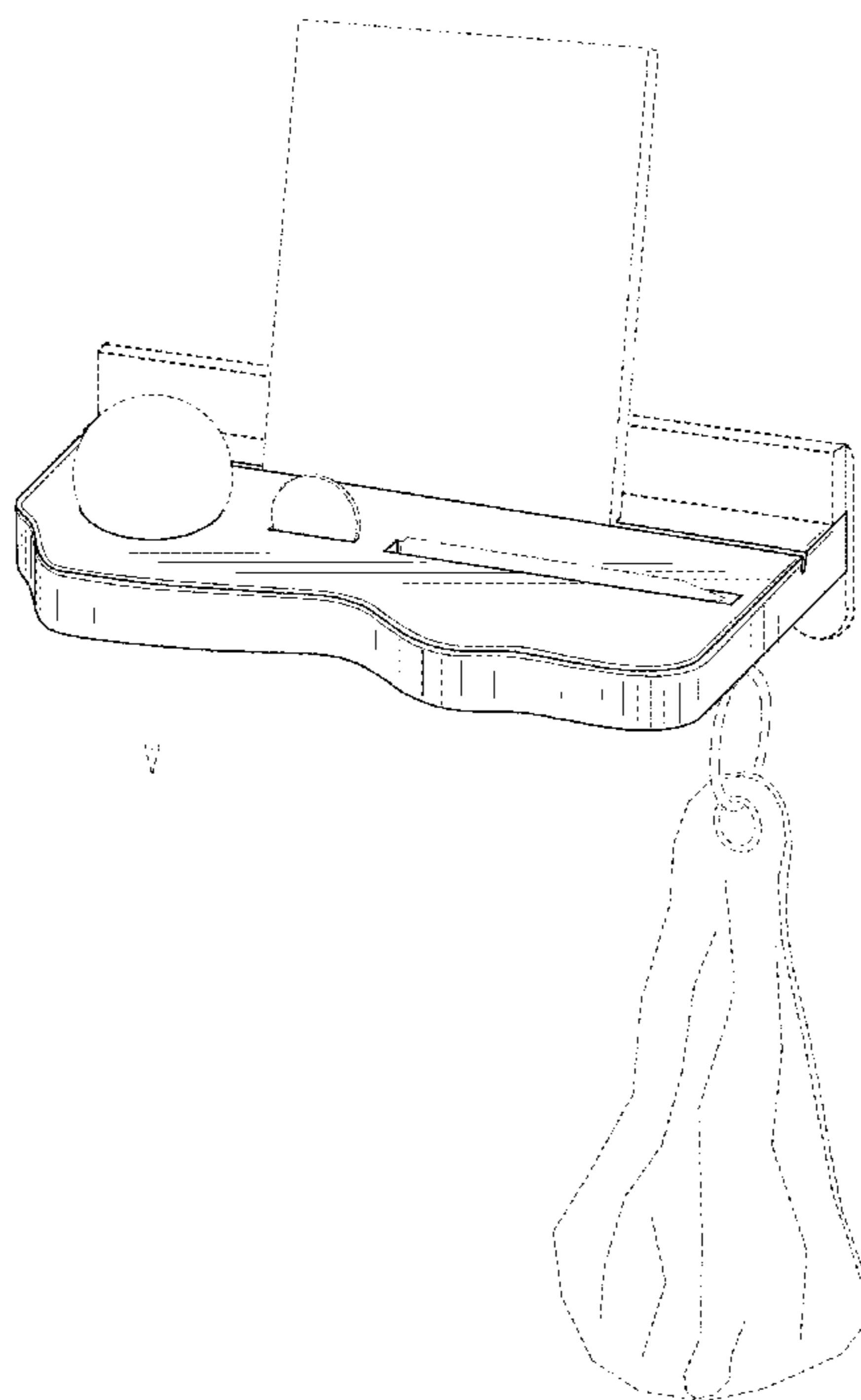
(57) **CLAIM**

The ornamental design for a golf memorabilia display, as shown and described.

**DESCRIPTION**

FIG. 1 is a perspective view of a golf memorabilia display. FIG. 2 is a top view of golf memorabilia display. FIG. 3 is a front view of a golf memorabilia display. FIG. 4 is a first side view of a golf memorabilia display. FIG. 5 is a second side view of a golf memorabilia display. FIG. 6 is a bottom view of a golf memorabilia display. FIG. 7 is a rear view of a golf memorabilia display. FIG. 8 is a top perspective view of a golf memorabilia display; and, FIG. 9 is a bottom perspective view of a golf memorabilia display. Broken lines disclosed in the several views are for the purpose of illustrating the environment in which the claimed article may be used, and form no part of the claimed design.

**1 Claim, 5 Drawing Sheets**



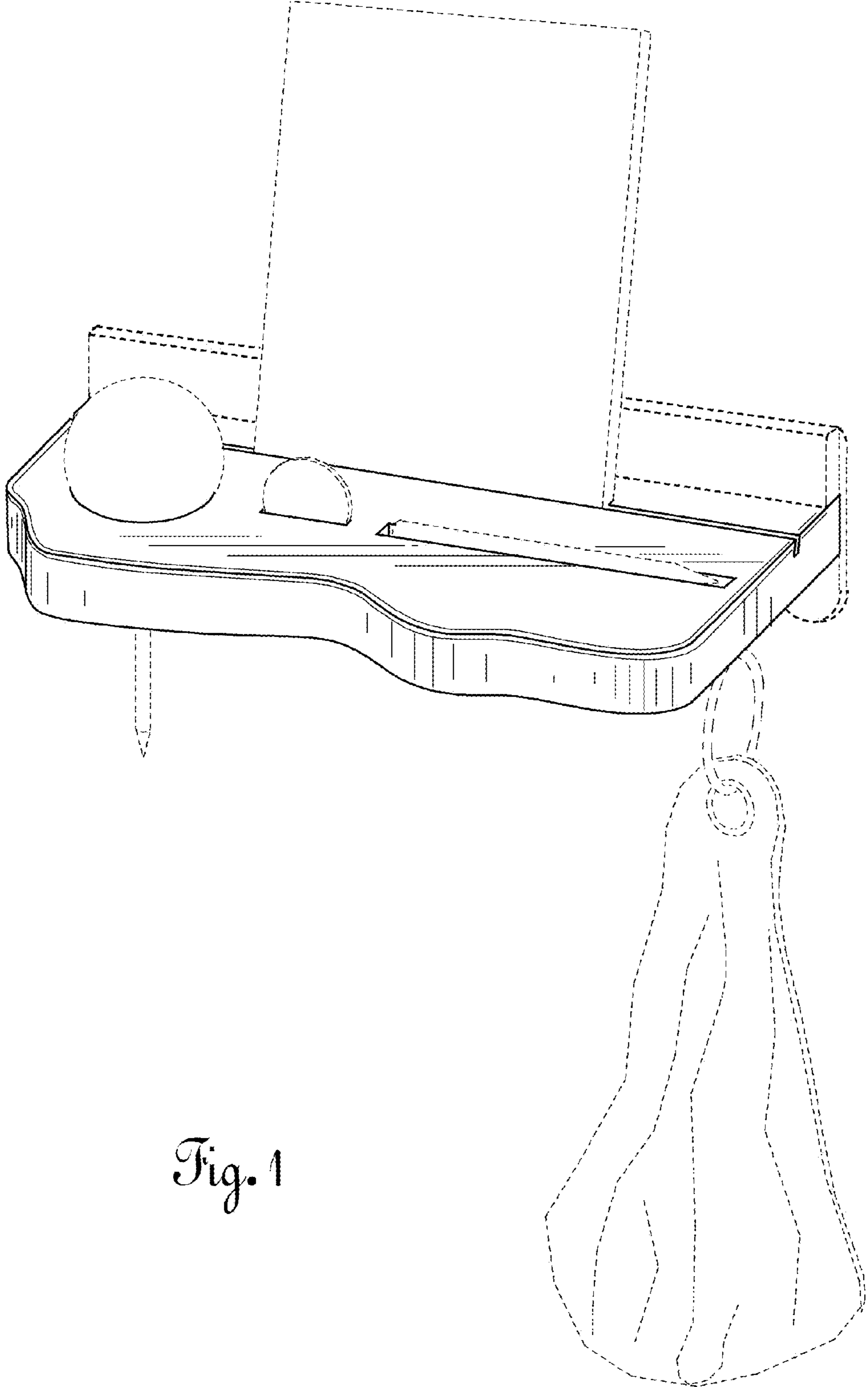
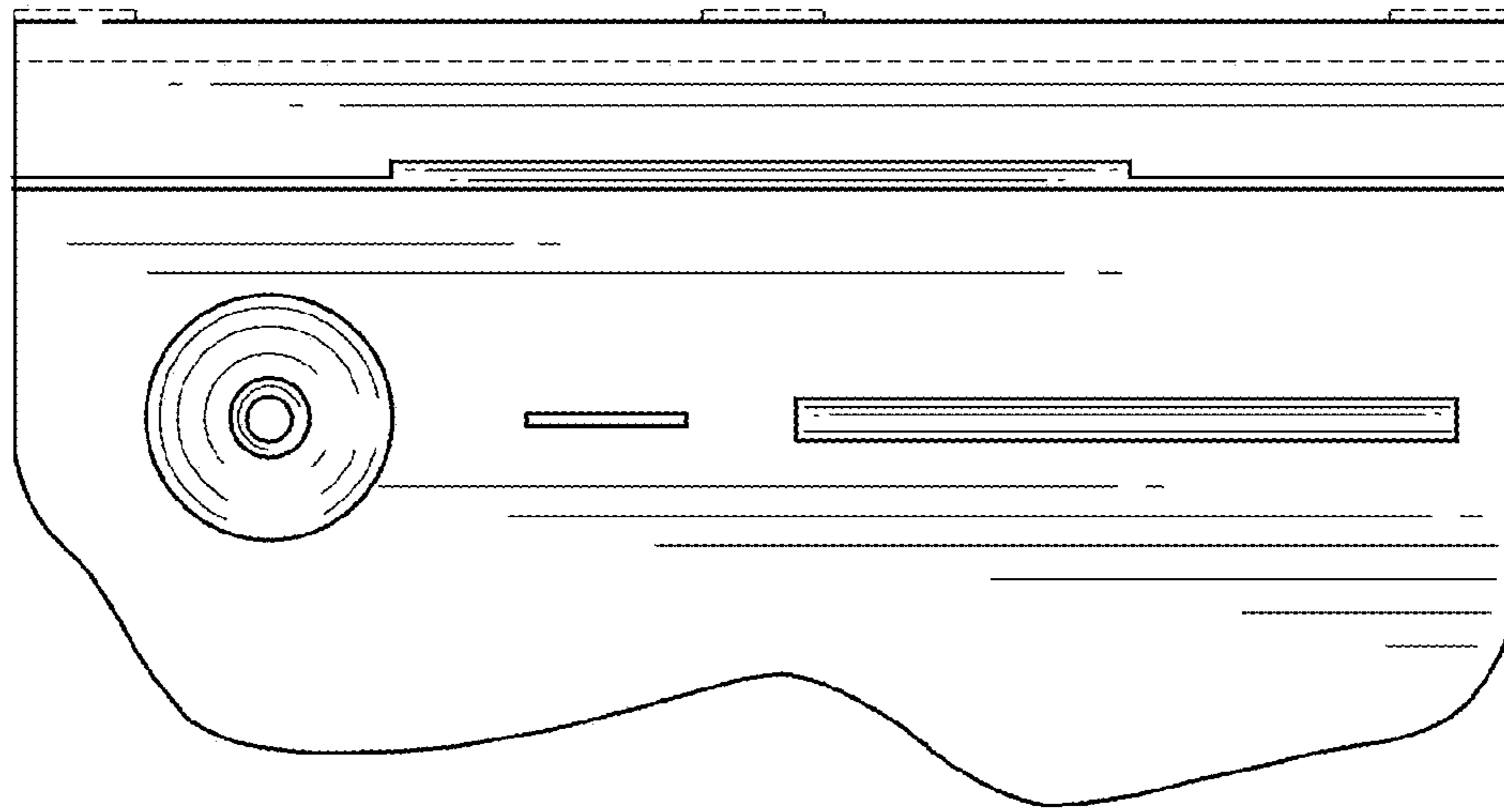
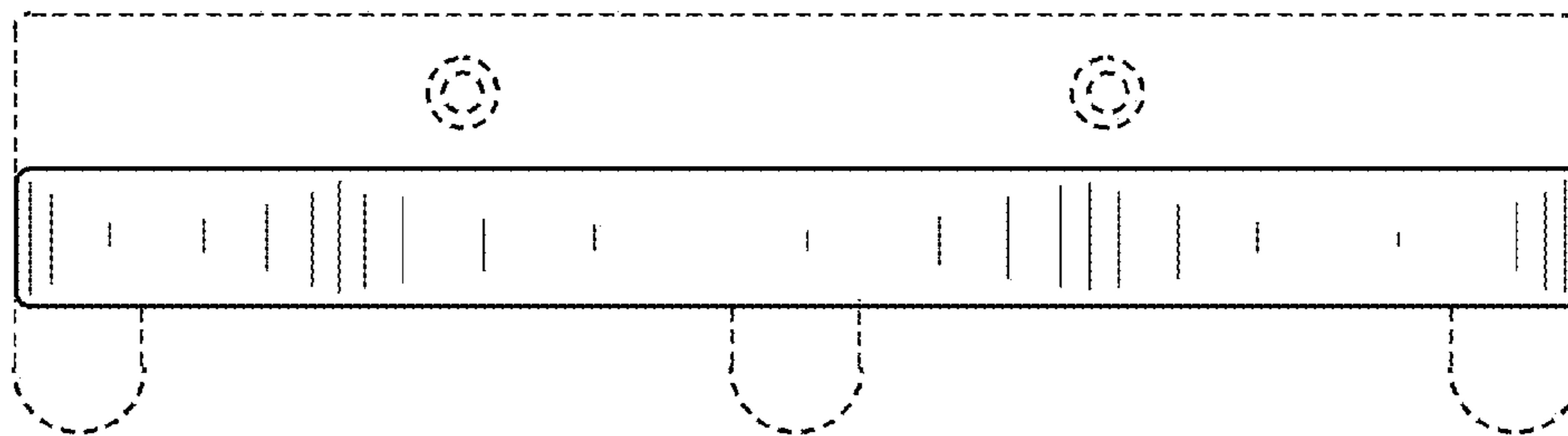


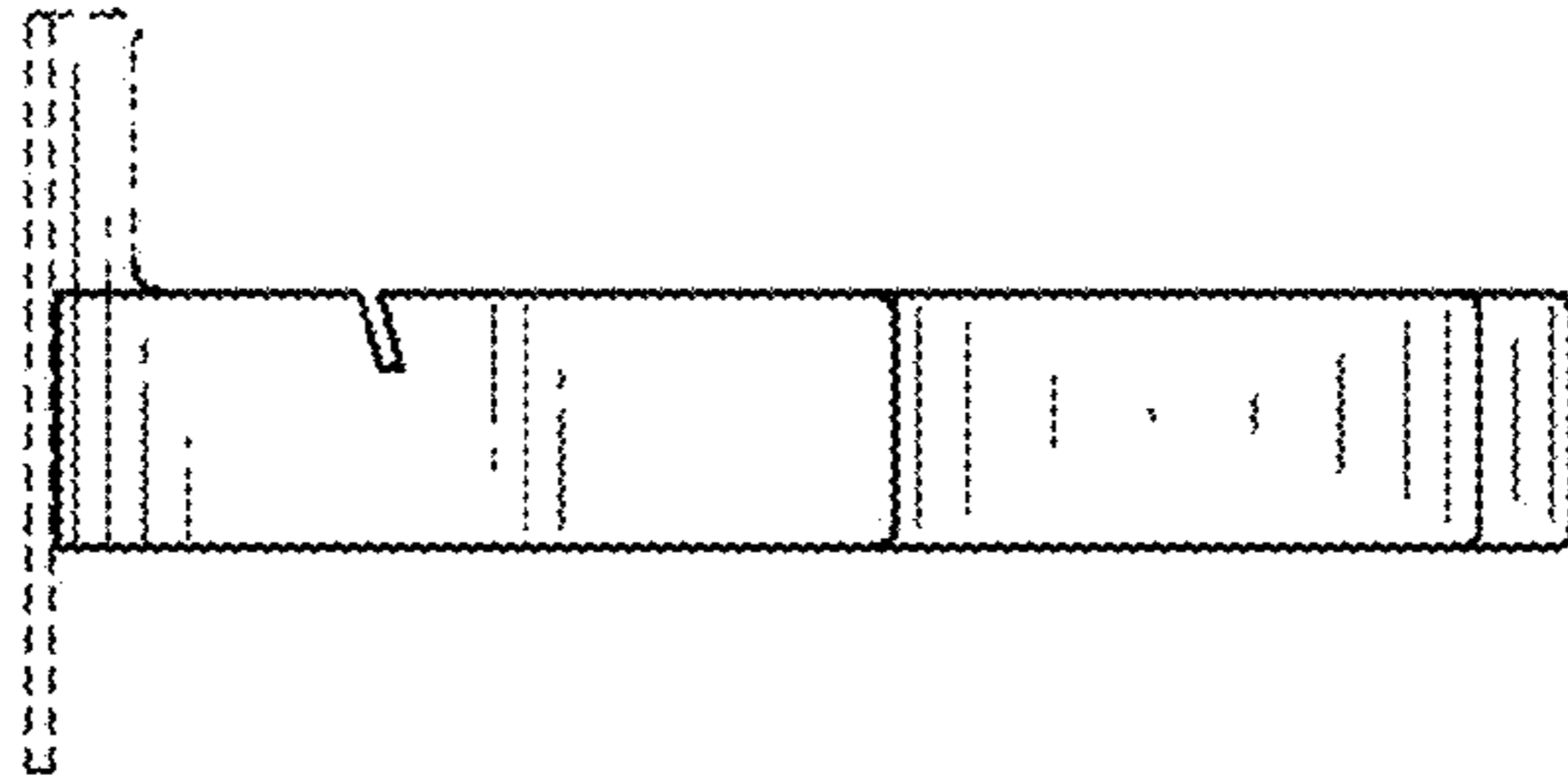
Fig. 1



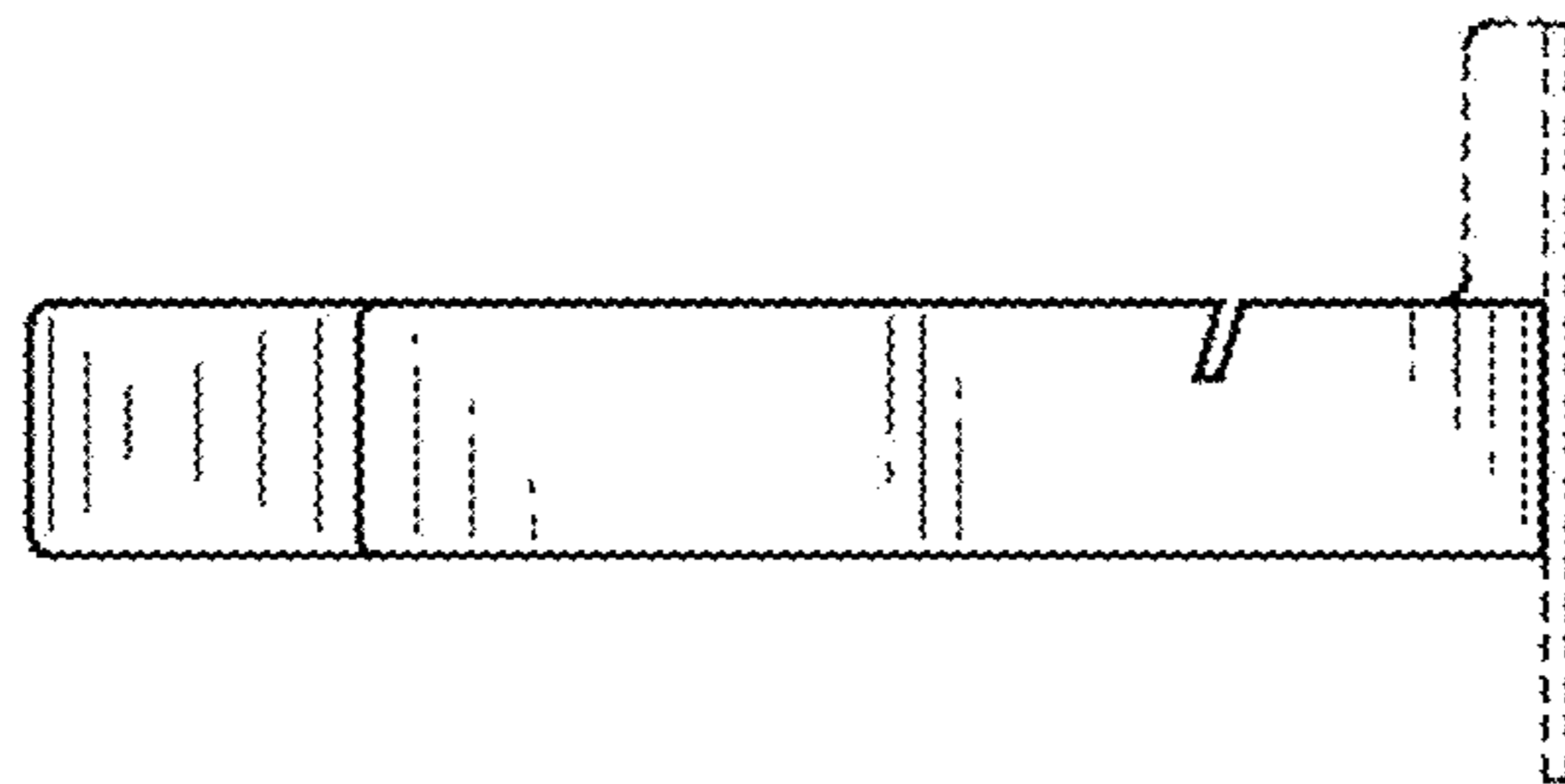
*Fig. 2*



*Fig. 3*



*Fig. 4*



*Fig. 5*

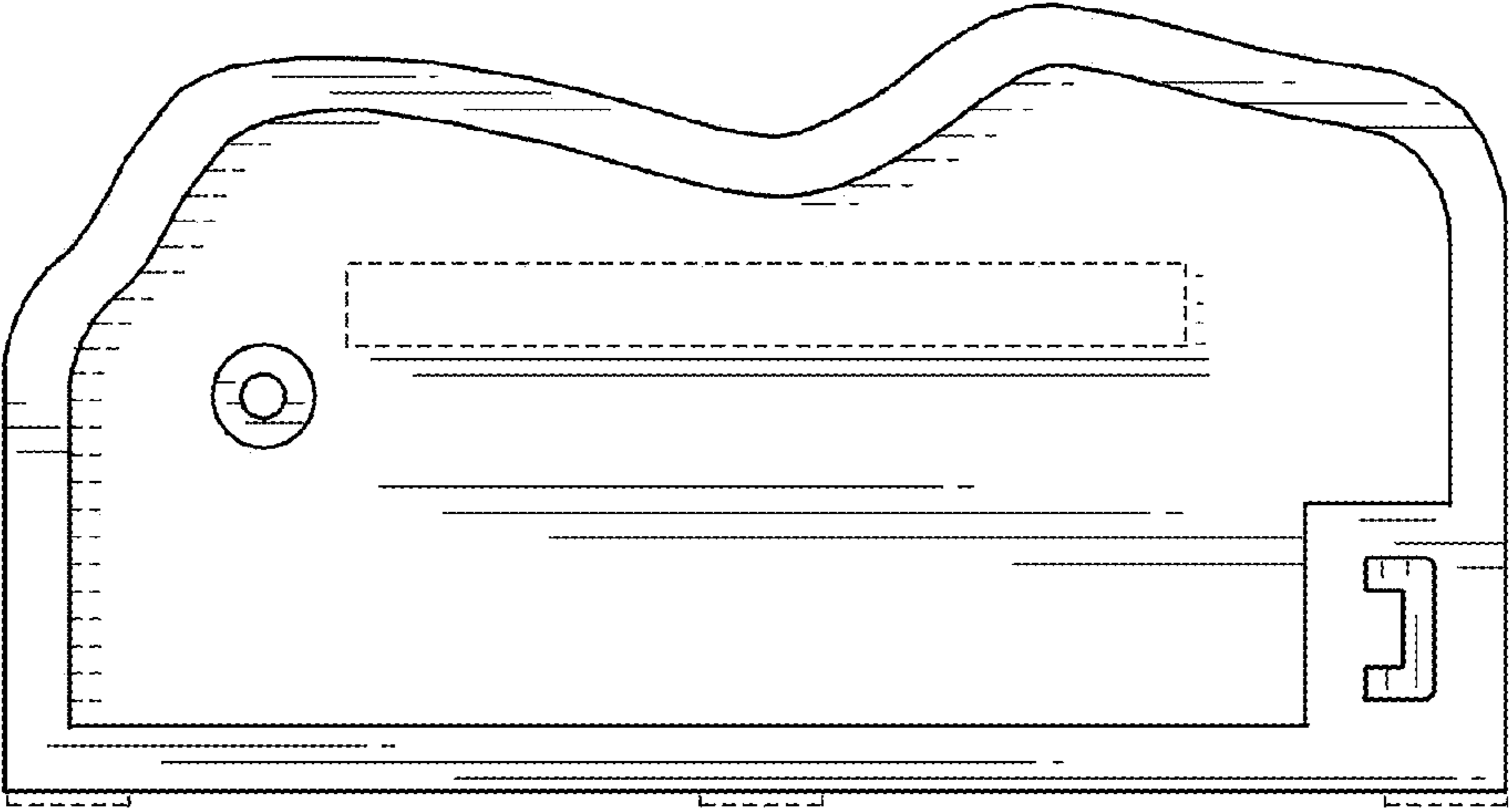


Fig. 6

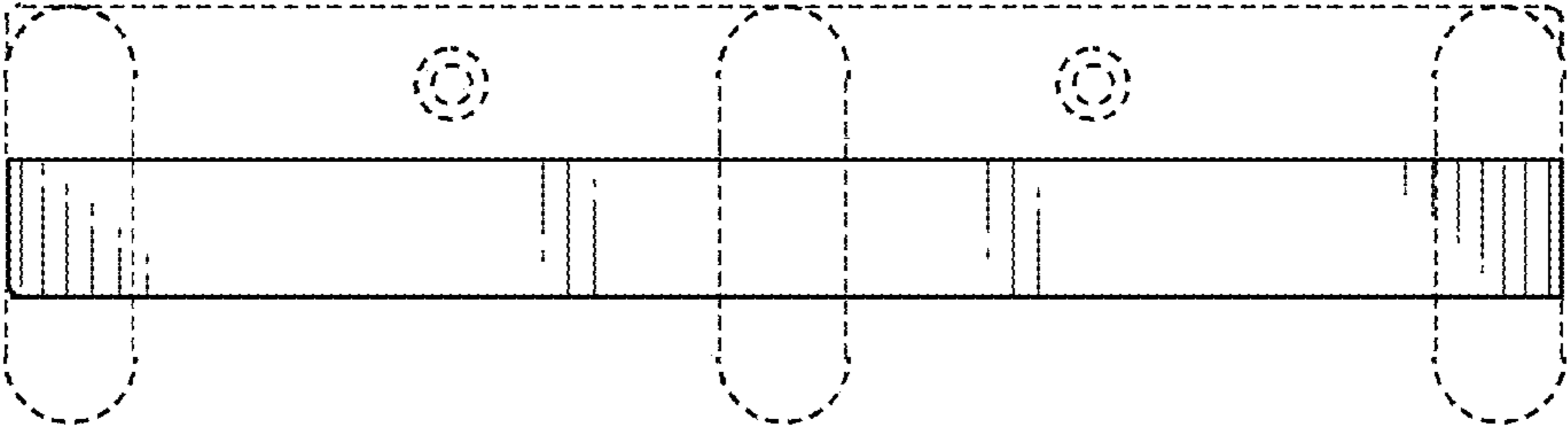


Fig. 7

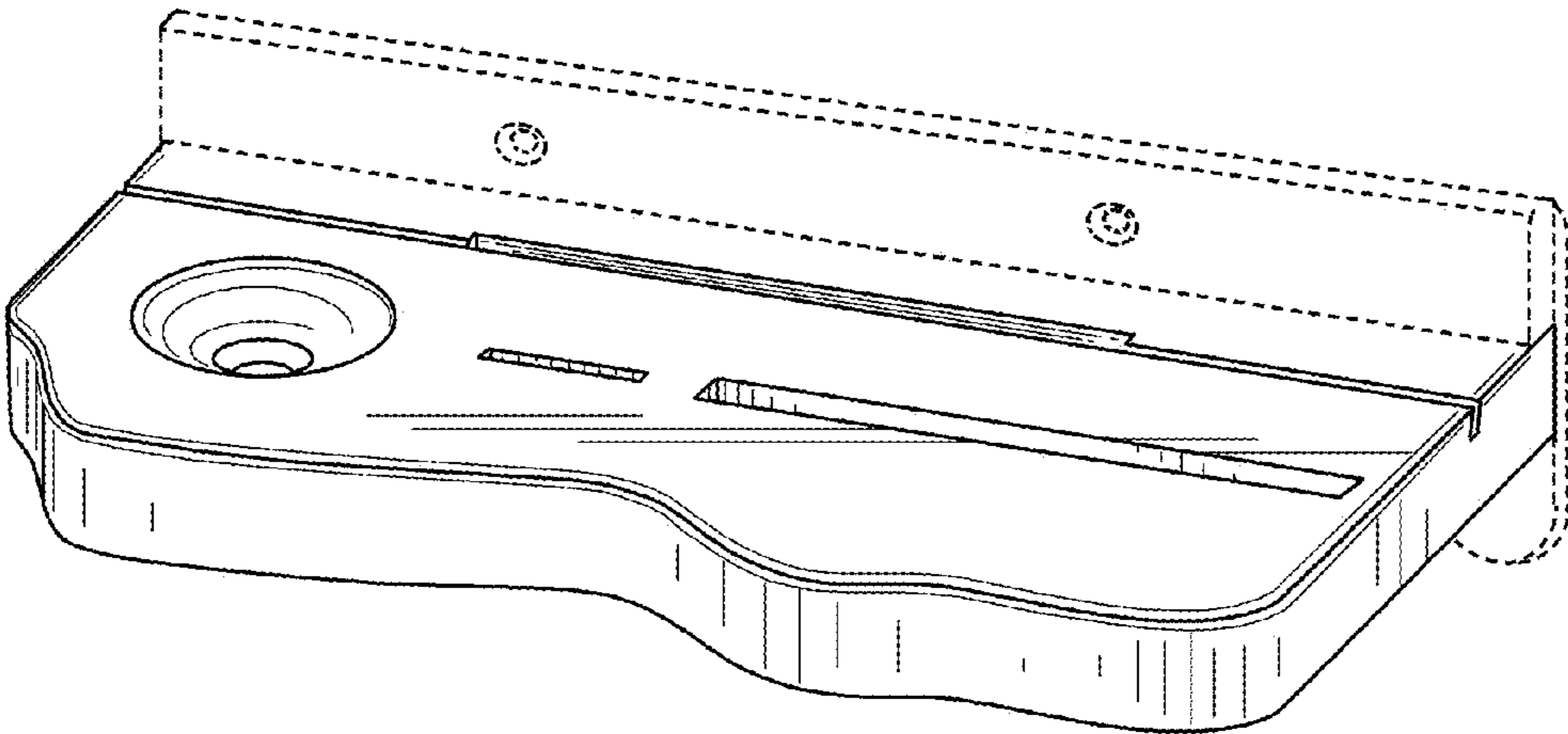


Fig. 8

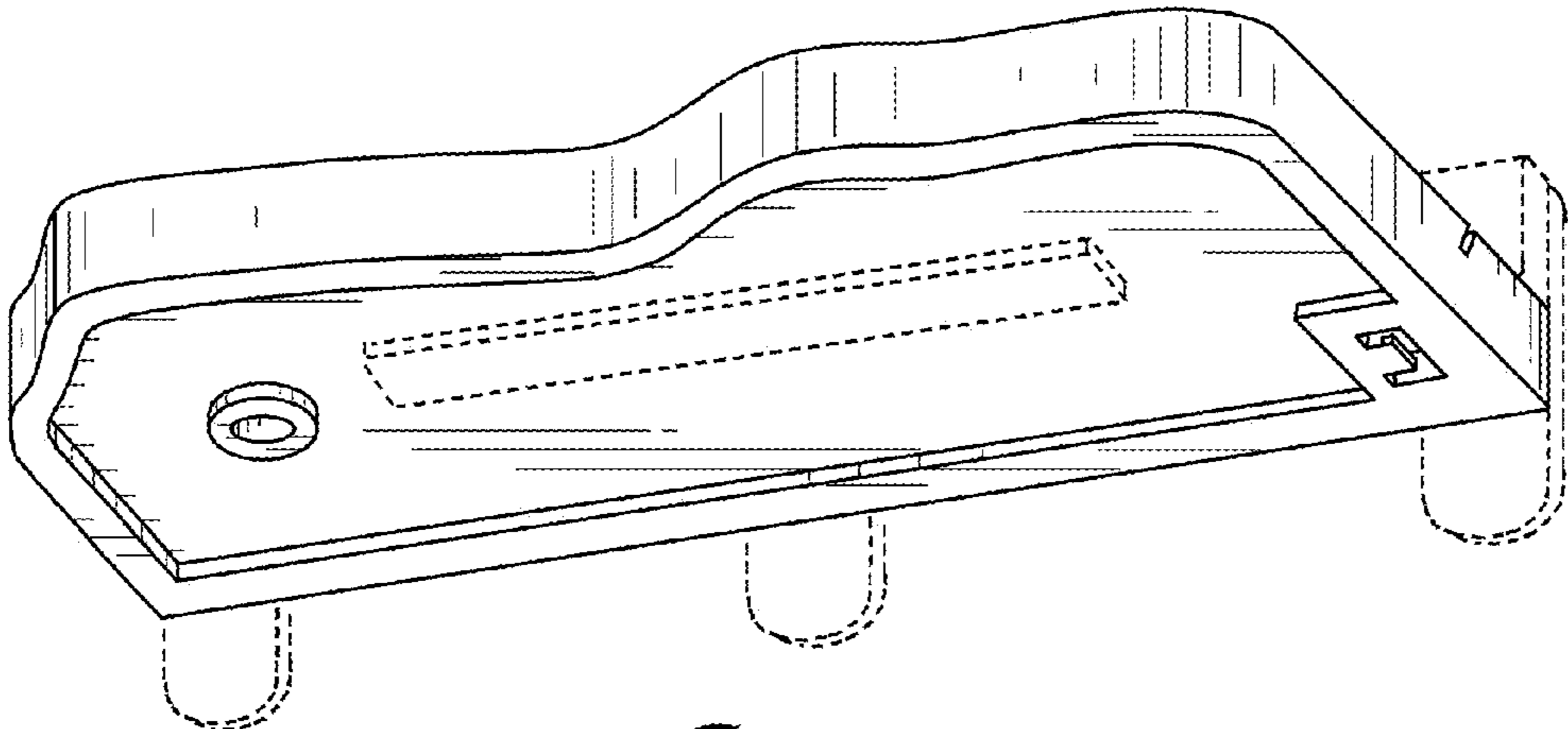


Fig. 9