



US00D699057S

(12) **United States Design Patent**  
**Price**

(10) **Patent No.:** **US D699,057 S**  
(45) **Date of Patent:** **\*\* Feb. 11, 2014**

(54) **LOCKER ORGANIZER**

(71) Applicant: **Debra Chisholm Price**, Houston, TX  
(US)

(72) Inventor: **Debra Chisholm Price**, Houston, TX  
(US)

(\*\*) Term: **14 Years**

(21) Appl. No.: **29/445,787**

(22) Filed: **Feb. 15, 2013**

(51) **LOC (10) Cl.** ..... **06-06**

(52) **U.S. Cl.**  
USPC ..... **D6/675**

(58) **Field of Classification Search**  
USPC ..... D6/473-474, 477-479, 630, 675,  
D6/675.1; 108/59, 65-66, 91-93,  
108/106-107, 180, 144.11, 147.11; 211/42,  
211/134, 188  
See application file for complete search history.

(56) **References Cited**

**U.S. PATENT DOCUMENTS**

3,774,332	A *	11/1973	Schneider	.....	40/720
D277,437	S *	2/1985	Ratia et al.	.....	D6/470
D368,814	S *	4/1996	Riback et al.	.....	D6/477
D386,533	S *	11/1997	Kvoka	.....	D20/42
D506,613	S *	6/2005	Gusdorf	.....	D3/304

D528,869	S *	9/2006	VanHook	.....	D7/619.1
7,175,242	B2 *	2/2007	Lee et al.	.....	312/7.2
D553,393	S *	10/2007	Cassel	.....	D6/479
D566,427	S *	4/2008	McConnell et al.	.....	D6/475
D592,889	S *	5/2009	Carter et al.	.....	D6/470
D664,376	S *	7/2012	Cronin et al.	.....	D6/476
D683,145	S *	5/2013	Patel	.....	D6/349
2003/0010738	A1 *	1/2003	Hsia et al.	.....	211/188
2008/0000863	A1 *	1/2008	DiBello	.....	211/134

\* cited by examiner

*Primary Examiner* — Kelley Donnelly

(74) *Attorney, Agent, or Firm* — Egbert Law Offices, PLLC

(57) **CLAIM**

The ornamental design for a locker organizer, as shown and described.

**DESCRIPTION**

FIG. 1 is an upper perspective view of the locker organizer showing my new design.

FIG. 2 is a front view thereof;

FIG. 3 is a back view thereof;

FIG. 4 is a side view thereof;

FIG. 5 is an opposite side view thereof;

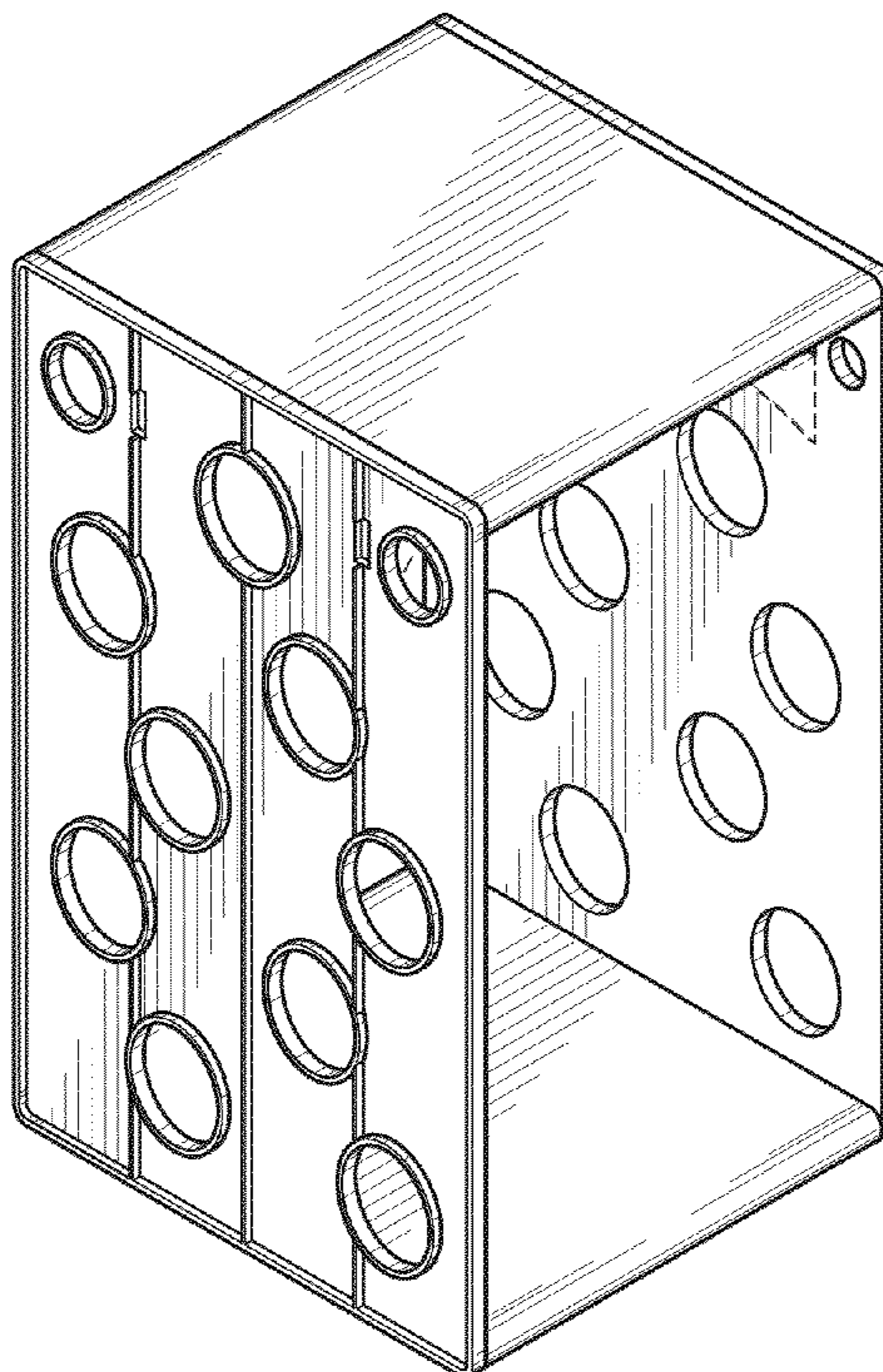
FIG. 6 is a top view thereof;

FIG. 7 is a bottom view thereof; and,

FIG. 8 is an upper perspective view showing the locker organizer in an expanded state.

The broken lines in FIGS. 1, 4 and 5 illustrate portions of the locker organizer that form no part of the claimed design.

**1 Claim, 3 Drawing Sheets**



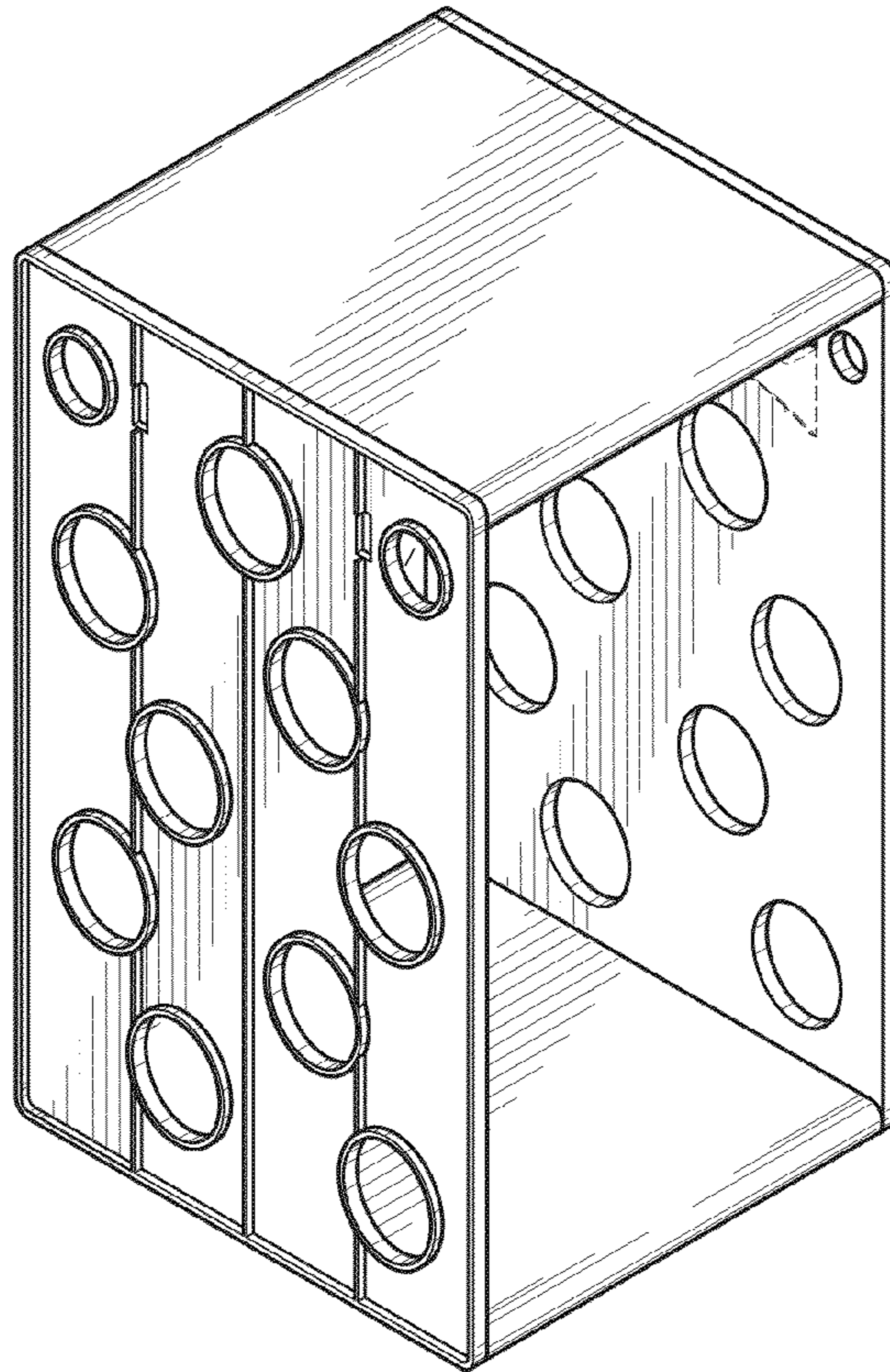


FIG. 1

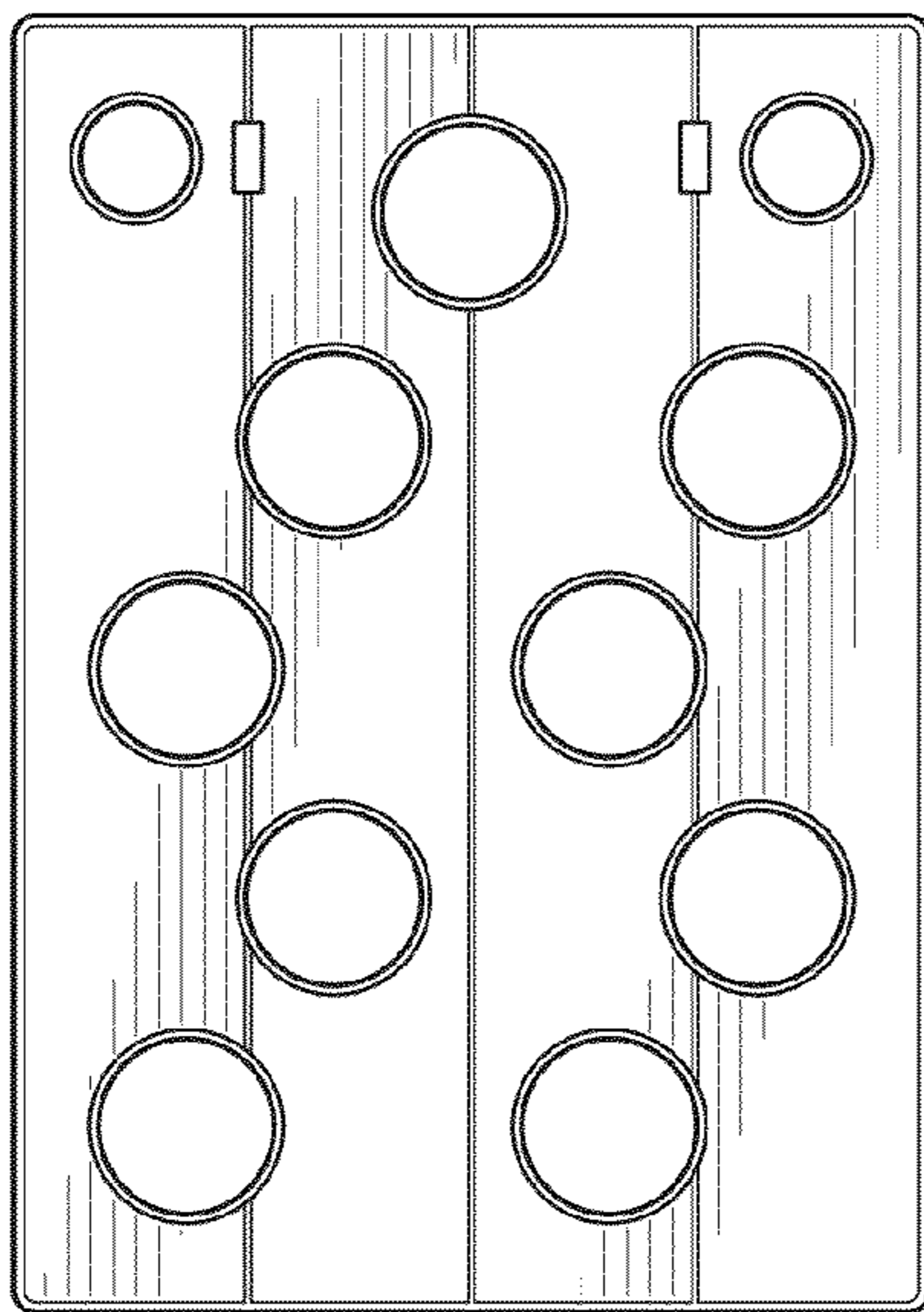


FIG. 2

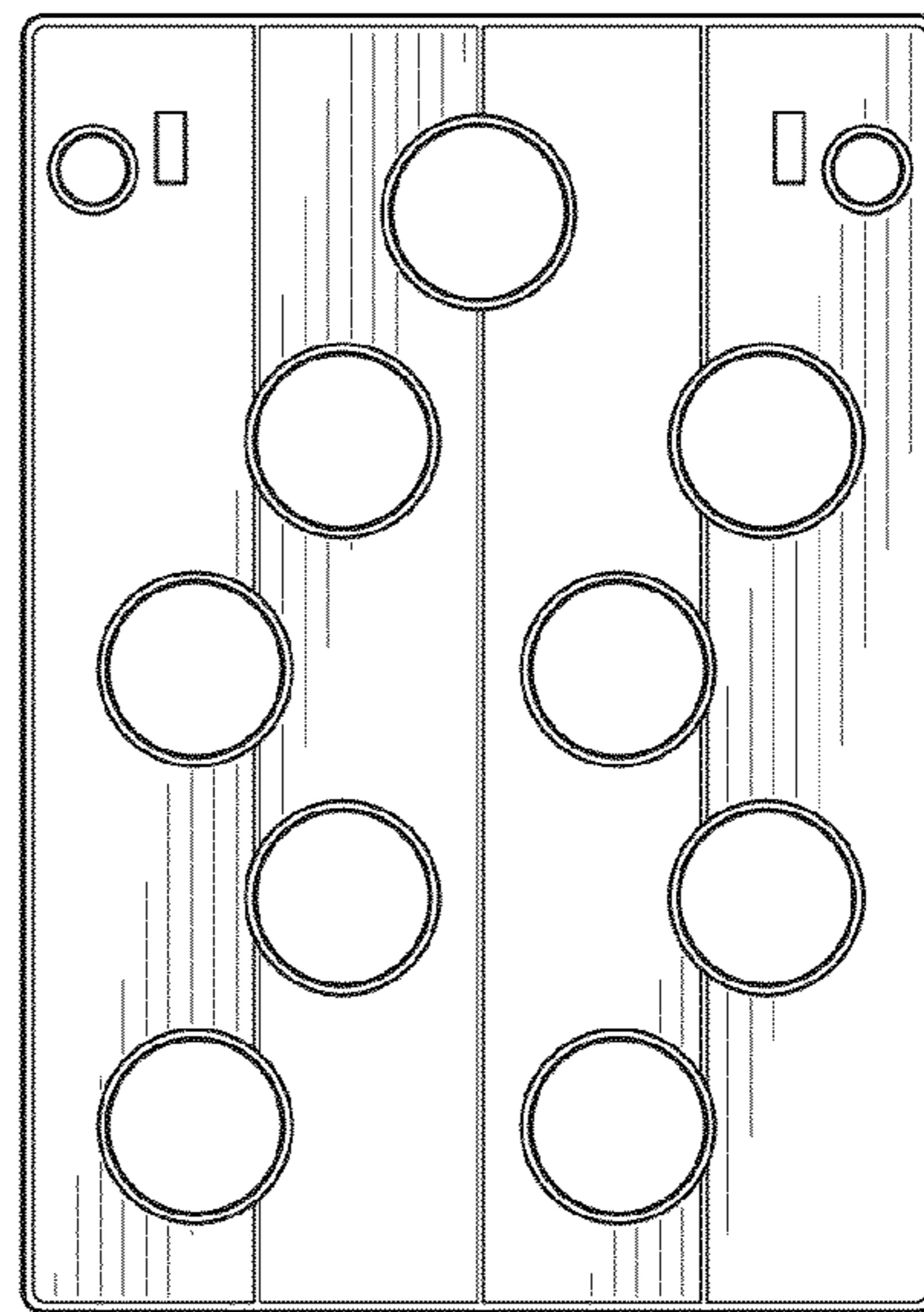
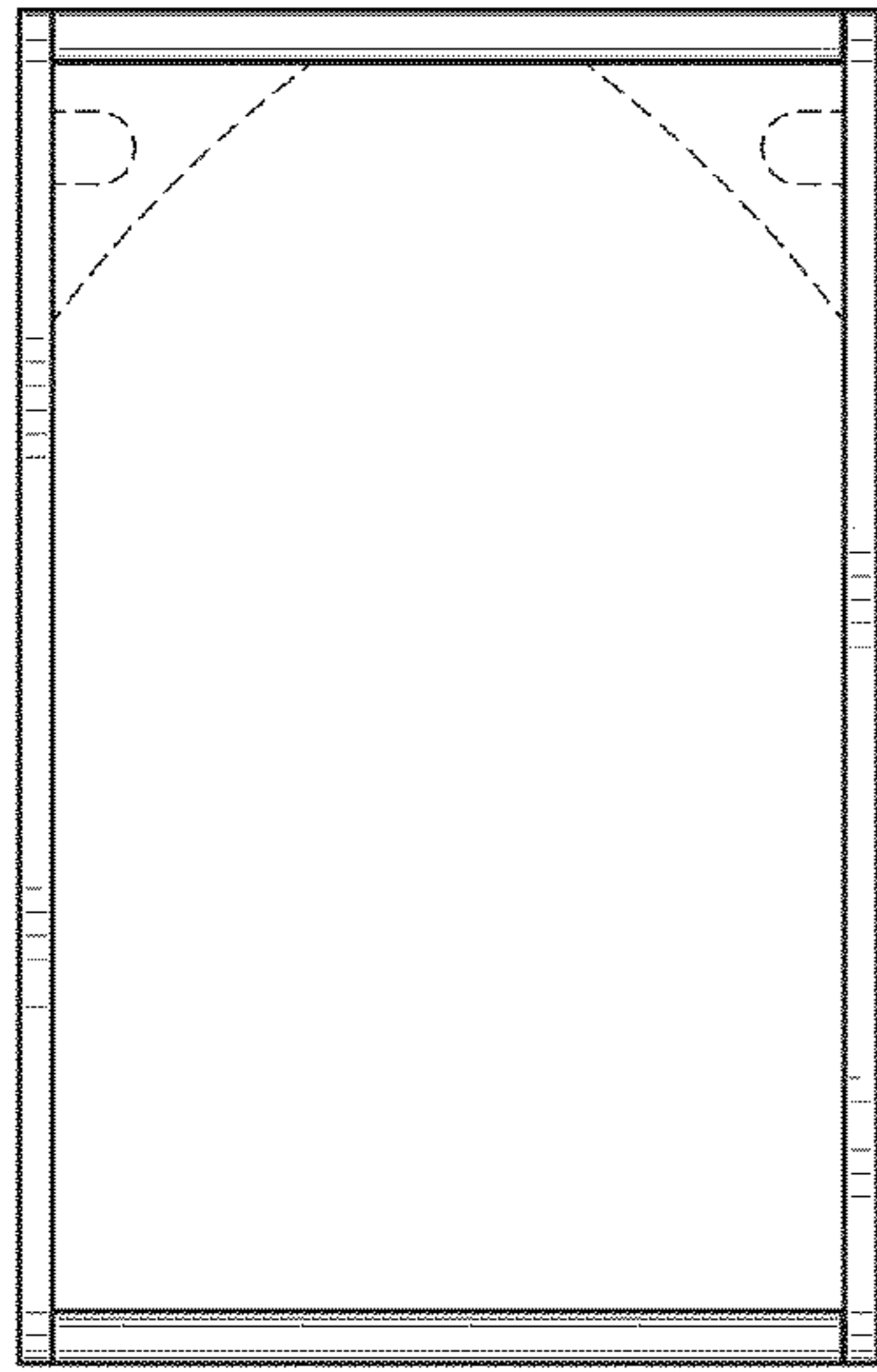
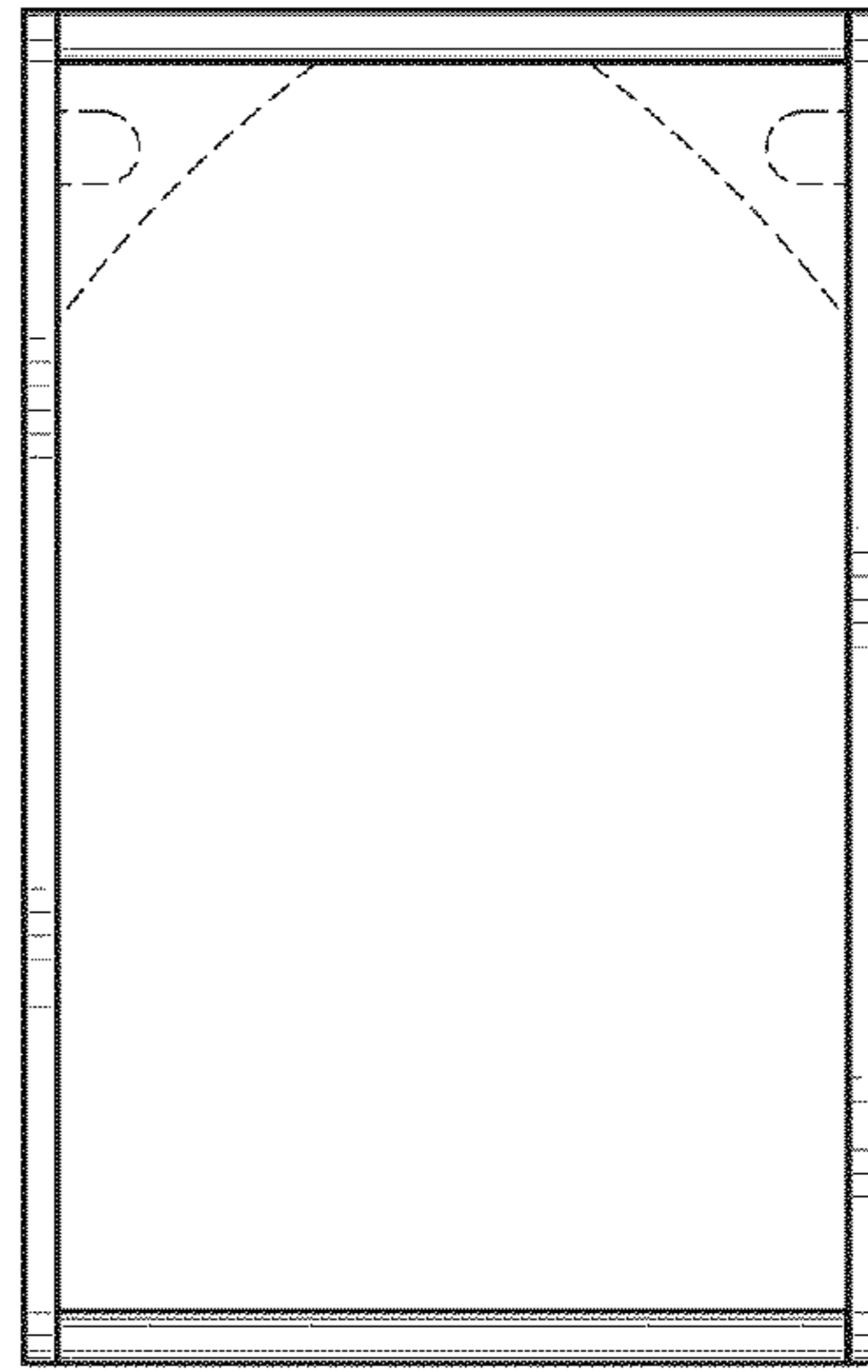


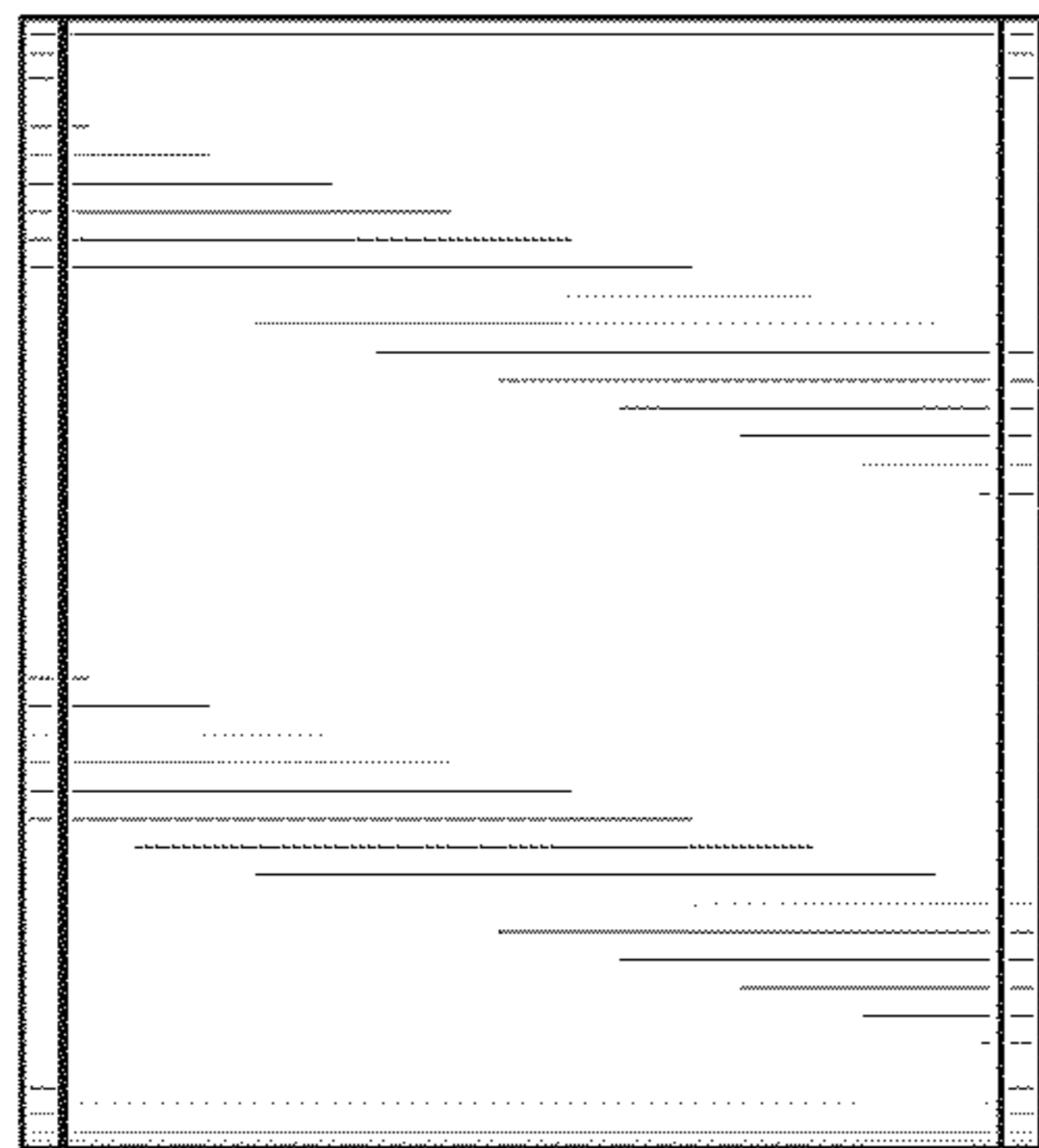
FIG. 3



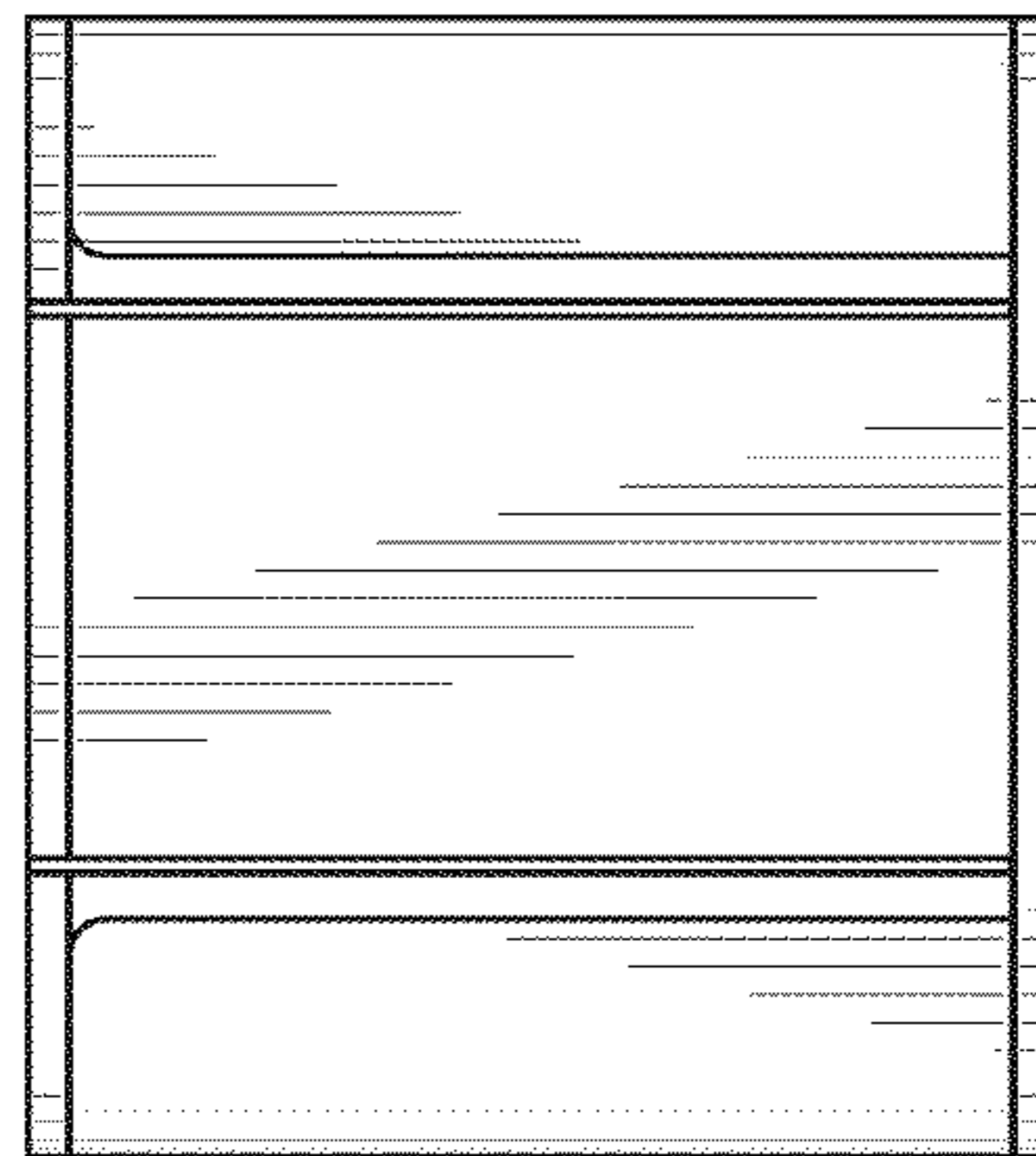
*FIG. 4*



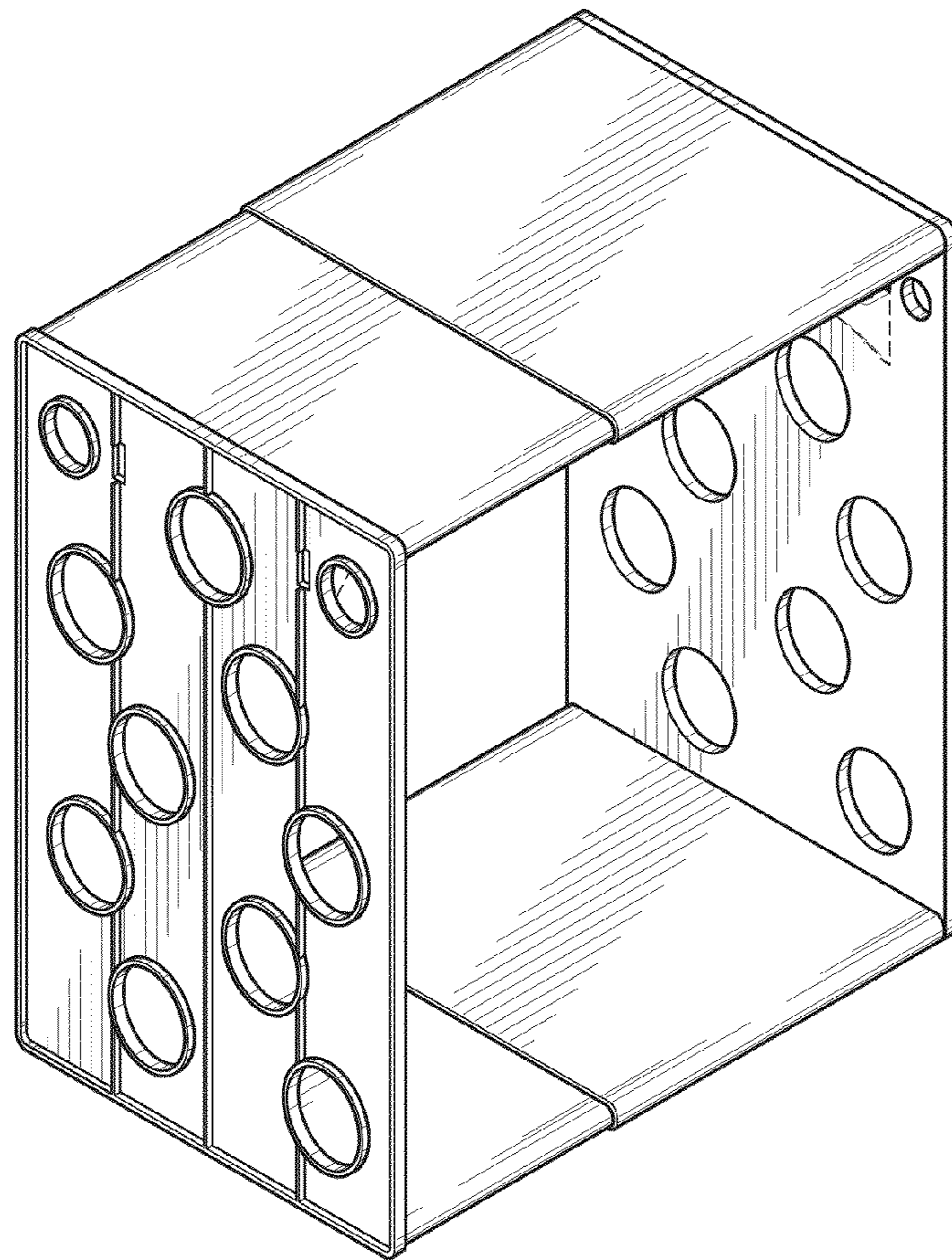
*FIG. 5*



*FIG. 6*



*FIG. 7*



*FIG. 8*