



US00D699054S

(12) **United States Design Patent**  
**Forlin**

(10) **Patent No.:** **US D699,054 S**

(45) **Date of Patent:** **\*\* Feb. 11, 2014**

(54) **ADJUSTABLE TABLE COVERING**

(71) Applicant: **Kirby Ann Forlin**, Henrico, VA (US)

(72) Inventor: **Kirby Ann Forlin**, Henrico, VA (US)

(\*\*) Term: **14 Years**

(21) Appl. No.: **29/449,606**

(22) Filed: **Mar. 15, 2013**

**Related U.S. Application Data**

(63) Continuation of application No. 13/113,213, filed on May 23, 2011, now abandoned.

(51) **LOC (10) Cl.** ..... **06-13**

(52) **U.S. Cl.**

USPC ..... **D6/610**

(58) **Field of Classification Search**

USPC ..... D6/610, 611, 596, 601, 602, 603, 615,  
D6/617, 621; D7/332, 334-337;  
D12/401-405; 135/87, 88.01, 95;  
150/165-167, 158, 154; 280/770;  
296/136.01, 136.1, 136.11

See application file for complete search history.

(56) **References Cited**

**U.S. PATENT DOCUMENTS**

5,103,514	A *	4/1992	Leach	5/417
D331,211	S *	11/1992	Harris	D12/401
D393,828	S *	4/1998	Threats, Sr.	D12/401
D411,162	S *	6/1999	Richter	D12/401
6,070,629	A *	6/2000	Whiteside	150/166
6,516,844	B1 *	2/2003	Henry	150/167
D496,322	S *	9/2004	Farney et al.	D12/401
D602,839	S *	10/2009	Carrow	D12/401
D674,646	S *	1/2013	Valenta et al.	D6/610
D691,142	S *	10/2013	Diebel	D14/440
D691,143	S *	10/2013	Diebel	D14/440
2012/0132377	A1 *	5/2012	Donaldson	160/370.21

\* cited by examiner

*Primary Examiner* — Katrina A Betton

(74) *Attorney, Agent, or Firm* — Brian J. Teague

(57) **CLAIM**

I claim the ornamental design for an adjustable table covering, as shown and described.

**DESCRIPTION**

FIG. 1 is a top perspective view of an adjustable table covering, in position on a table, showing the new design.

FIG. 2 is a bottom perspective view thereof.

FIG. 3 is a top view thereof.

FIG. 4 is a bottom view thereof.

FIG. 5 is a left side view thereof. The right side view is identical to the left side view.

FIG. 6 is a front view thereof. The rear view is identical to the front view.

FIG. 7 is a top perspective view of an alternative embodiment of an adjustable table covering, in position on a table.

FIG. 8 is a bottom perspective view thereof.

FIG. 9 is a top view thereof.

FIG. 10 is a bottom view thereof.

FIG. 11 is a left side view thereof. The right side view is identical to the left side view.

FIG. 12 is a front view thereof. The rear view is identical to the front view.

FIG. 13 is a top perspective view of another alternative embodiment of an adjustable table covering, in position on a table.

FIG. 14 is a bottom perspective view thereof.

FIG. 15 is a top view thereof.

FIG. 16 is a bottom view thereof.

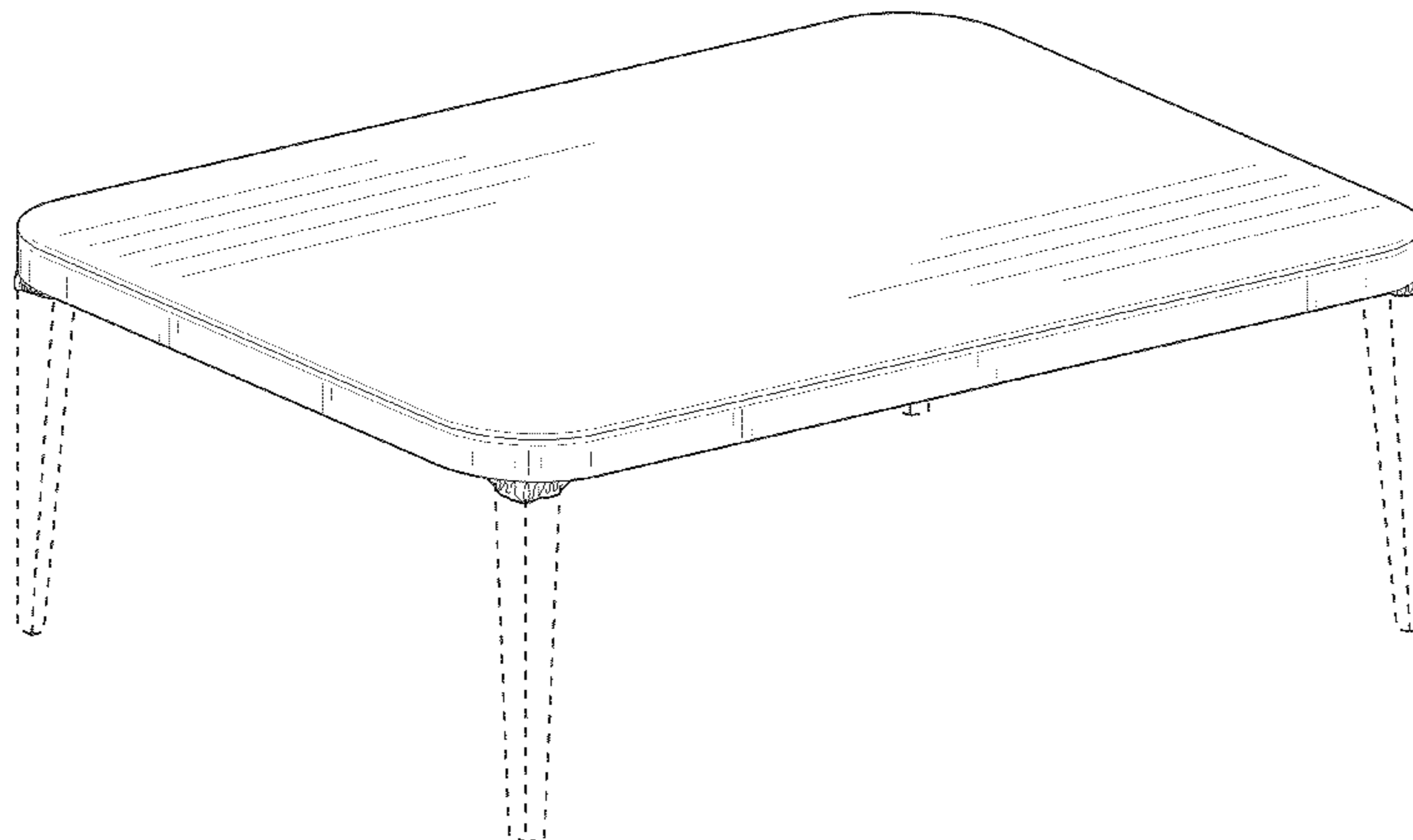
FIG. 17 is a left side view thereof. The right side view is identical to the left side view; and,

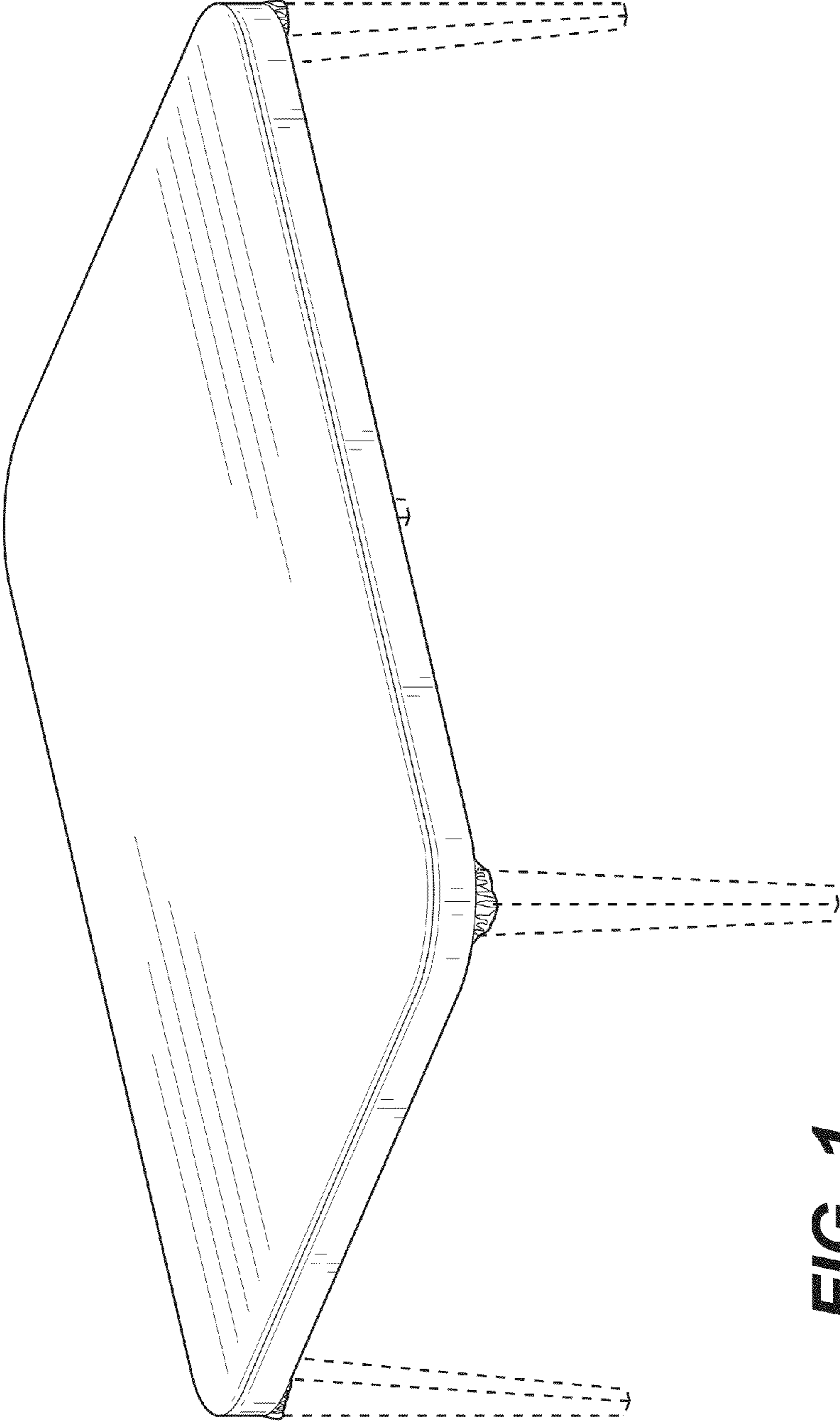
FIG. 18 is a front view thereof. The rear view is identical to the front view.

The underside of the adjustable table covering (i.e., the side in contact with the tabletop) is not claimed and therefore not illustrated.

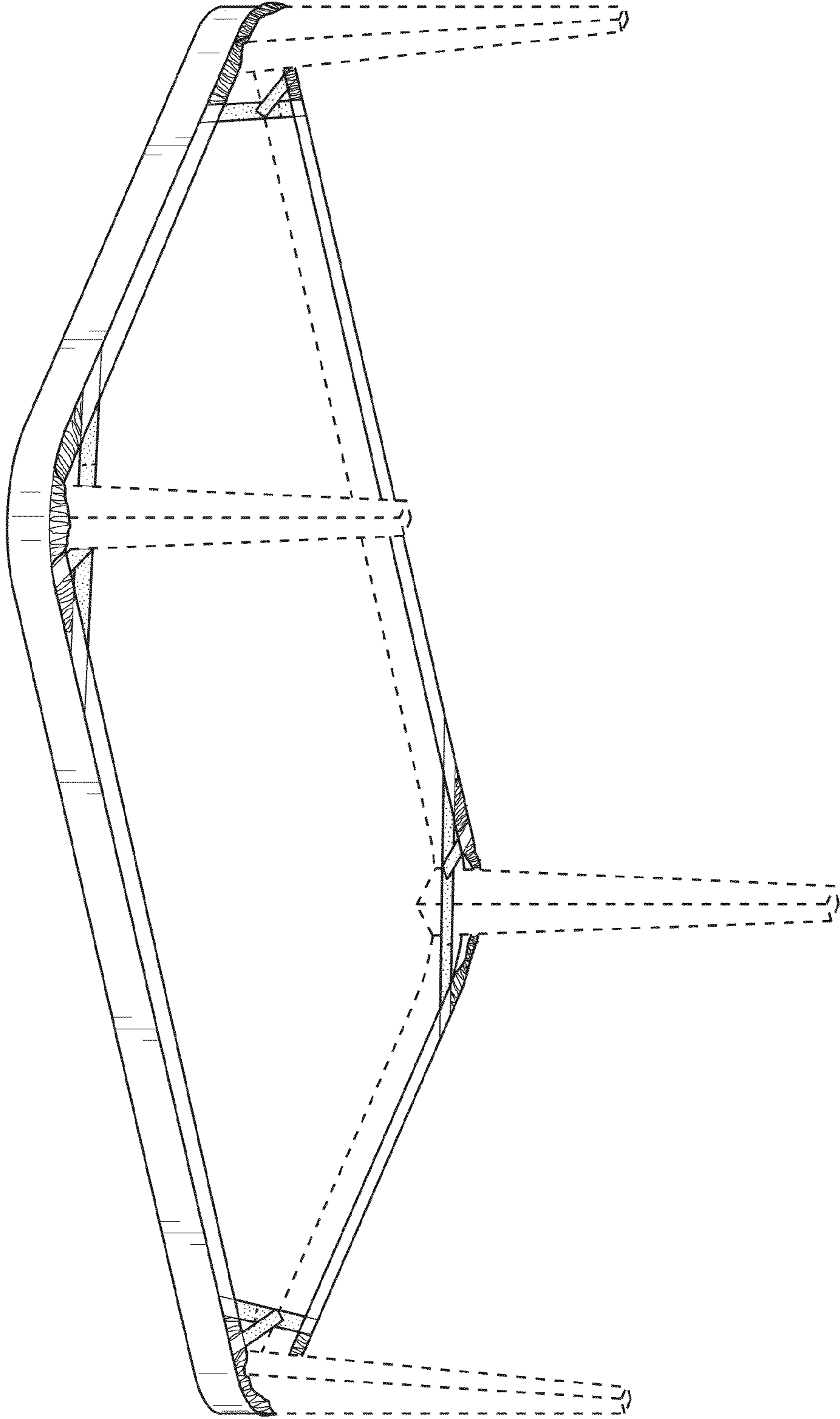
In the drawings, the broken lines shown in the figures depict unclaimed subject matter and environmental structure, and form no part of the claimed design.

**1 Claim, 18 Drawing Sheets**

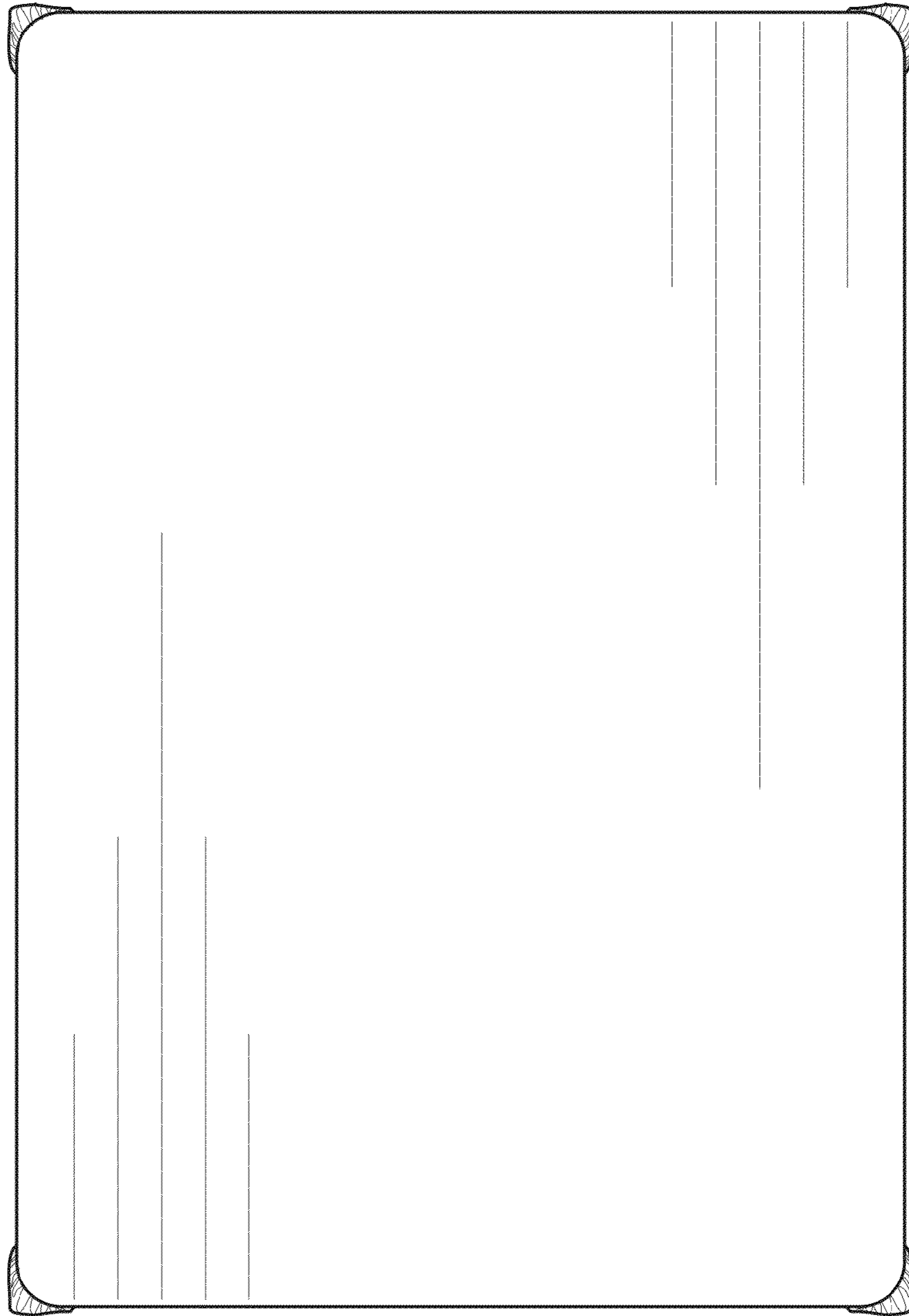




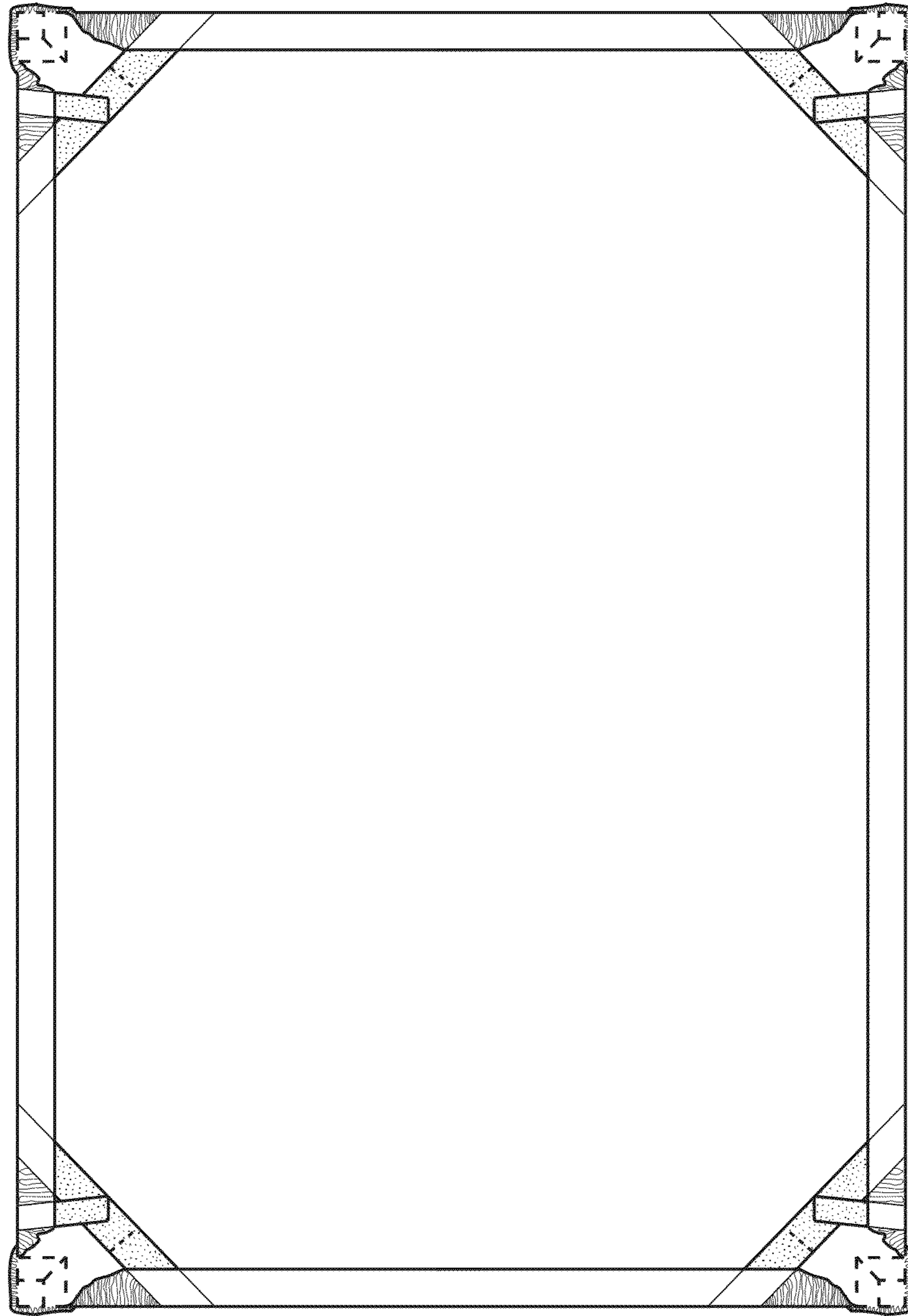
**FIG. 1**



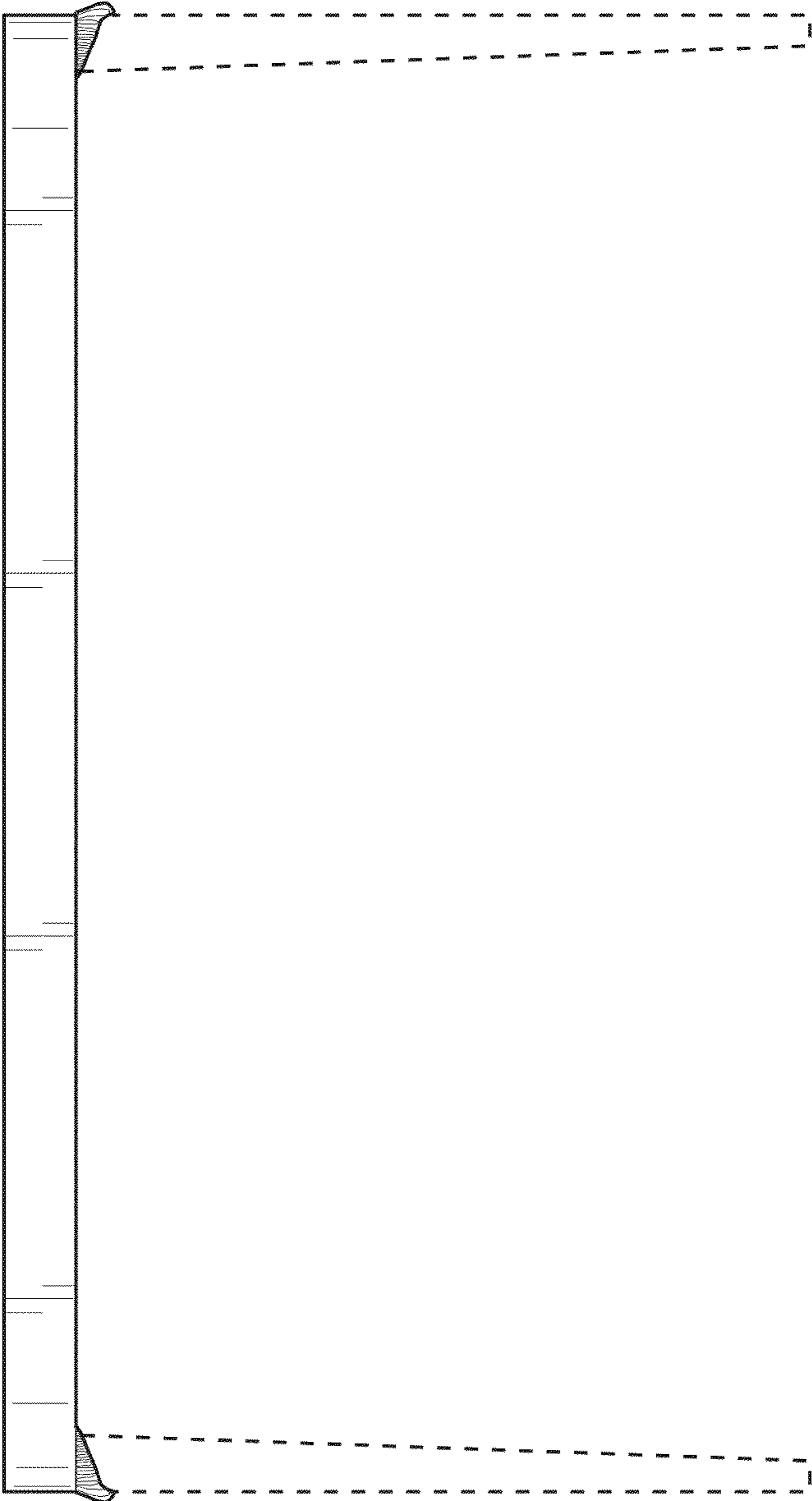
**FIG. 2**



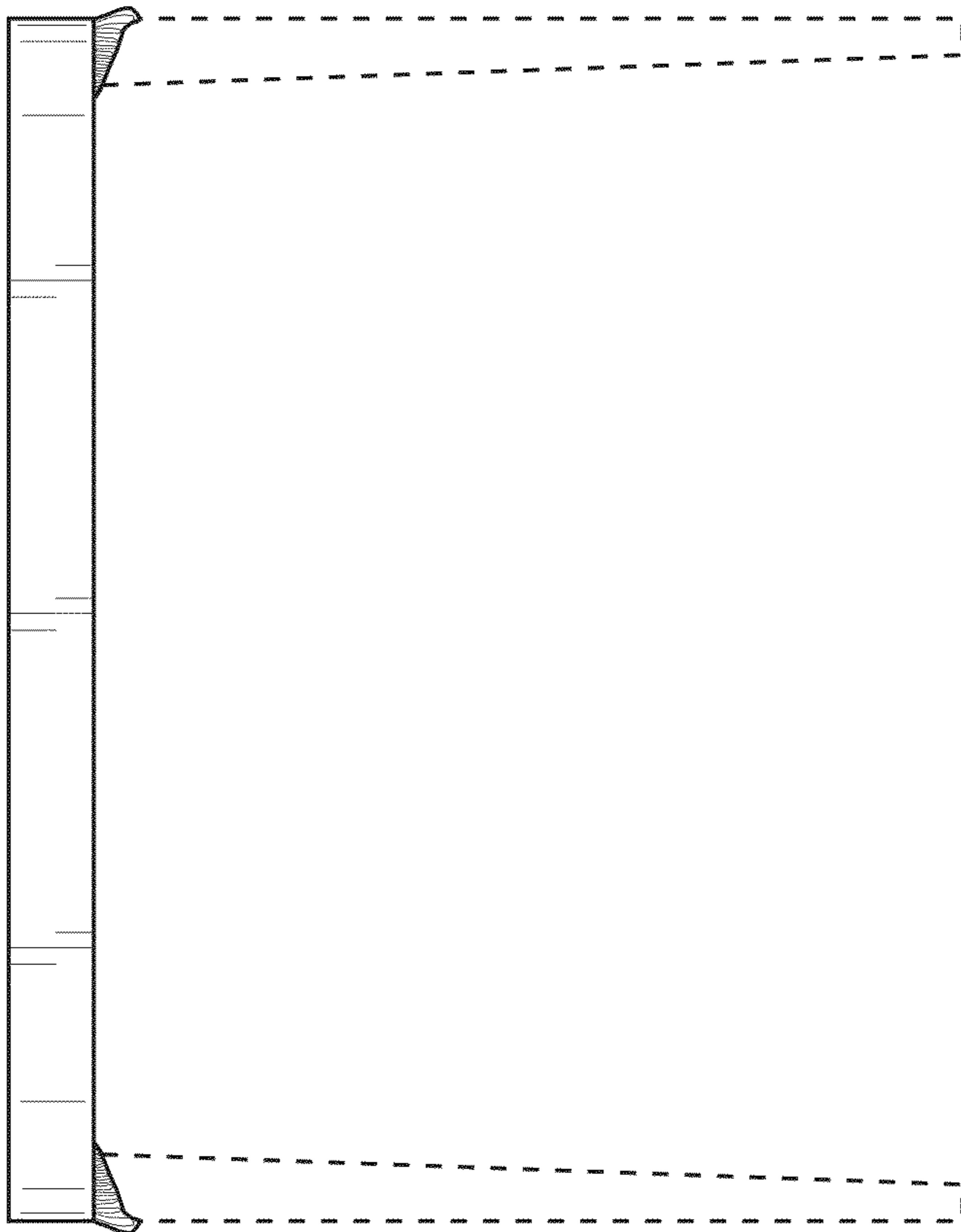
**FIG. 3**



**FIG. 4**



**FIG. 5**



**FIG. 6**

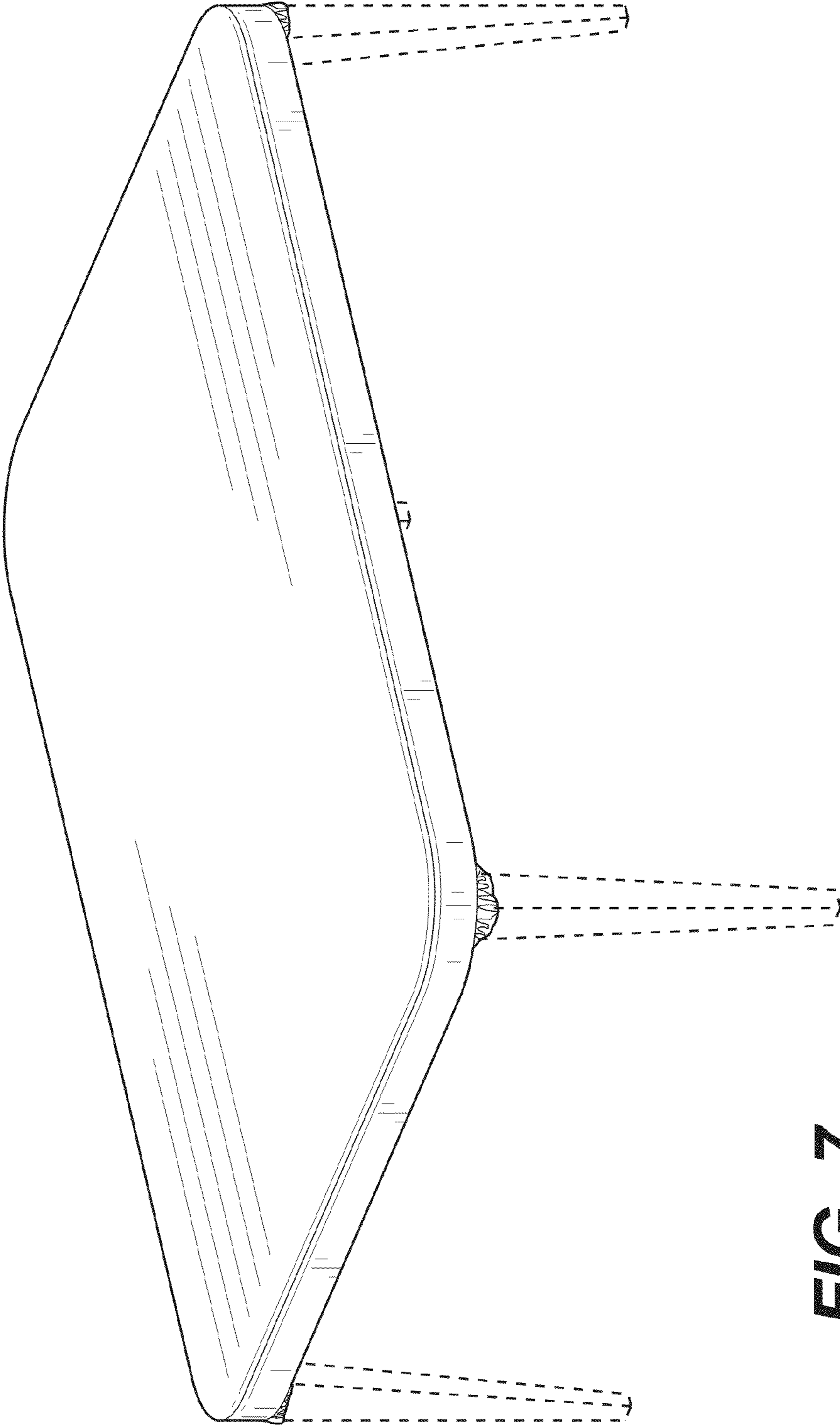
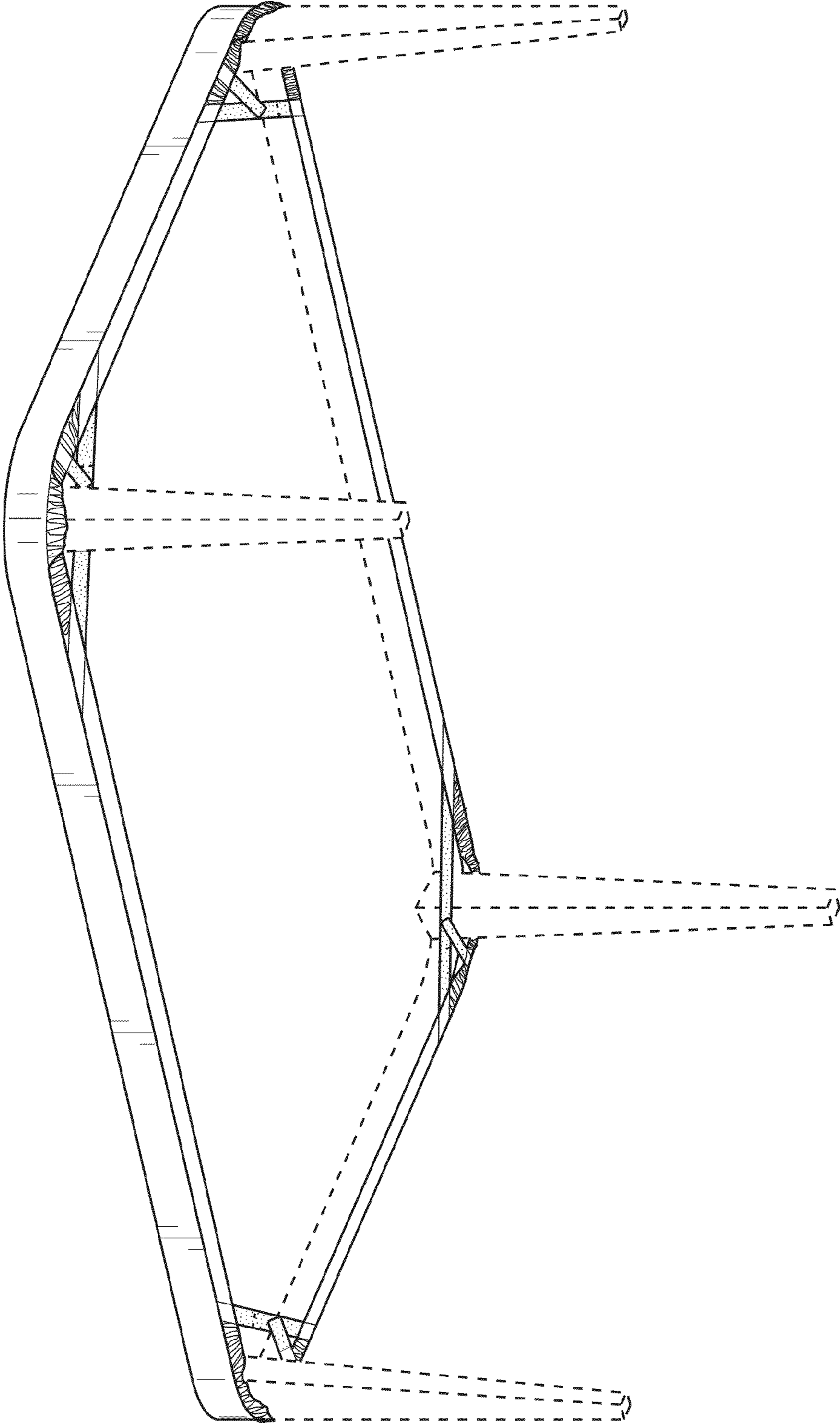
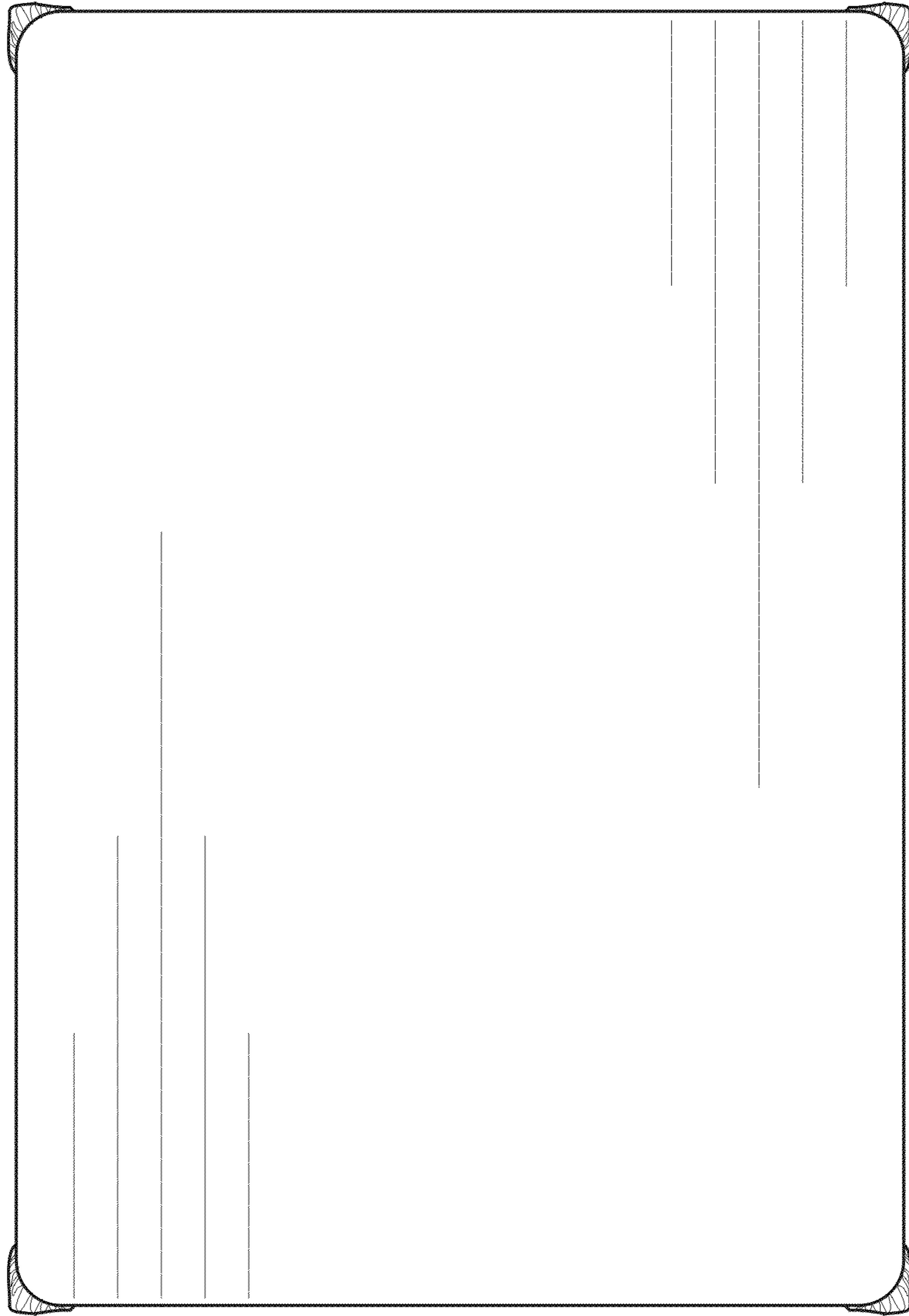


FIG. 7

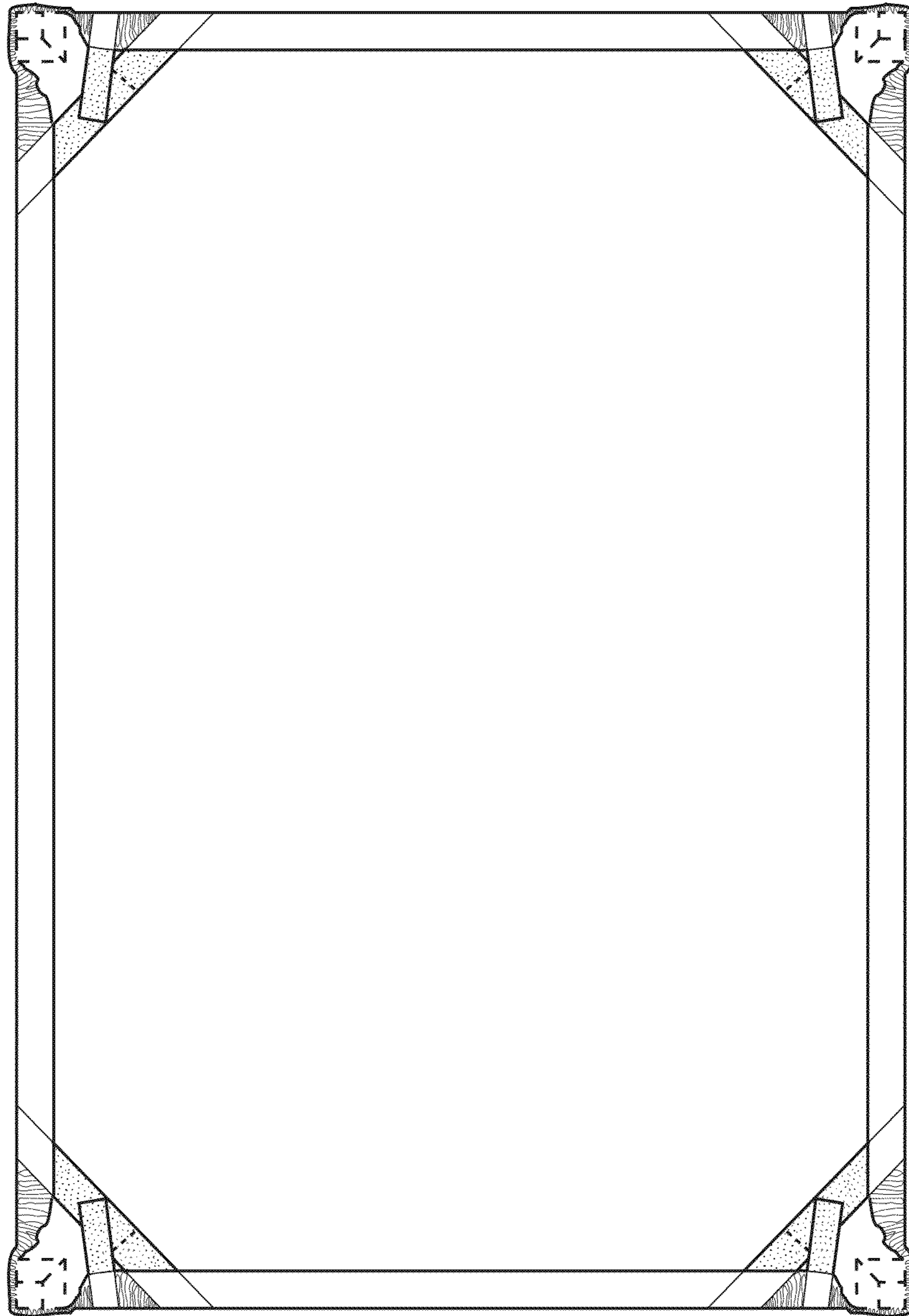




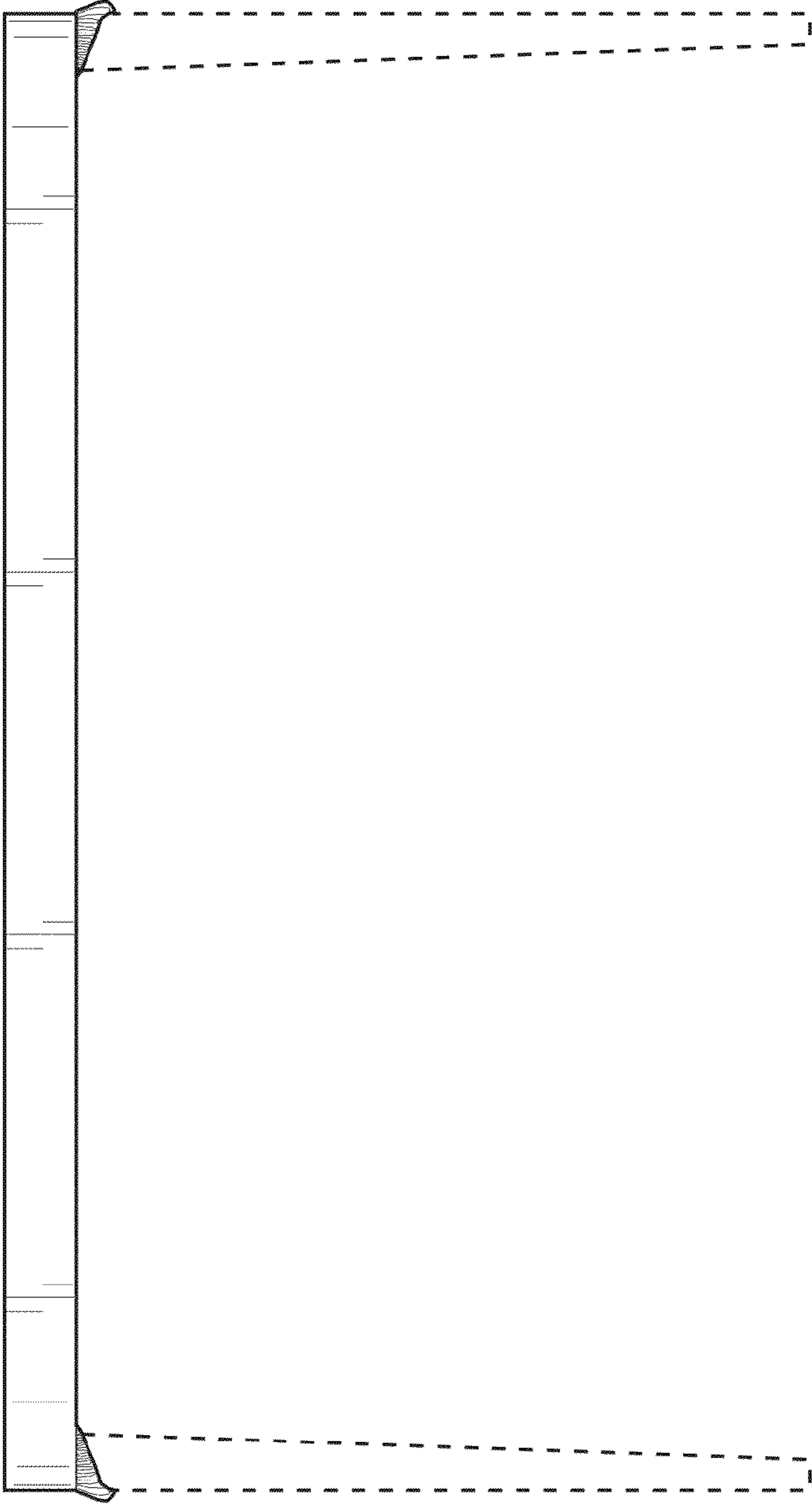
**FIG. 8**



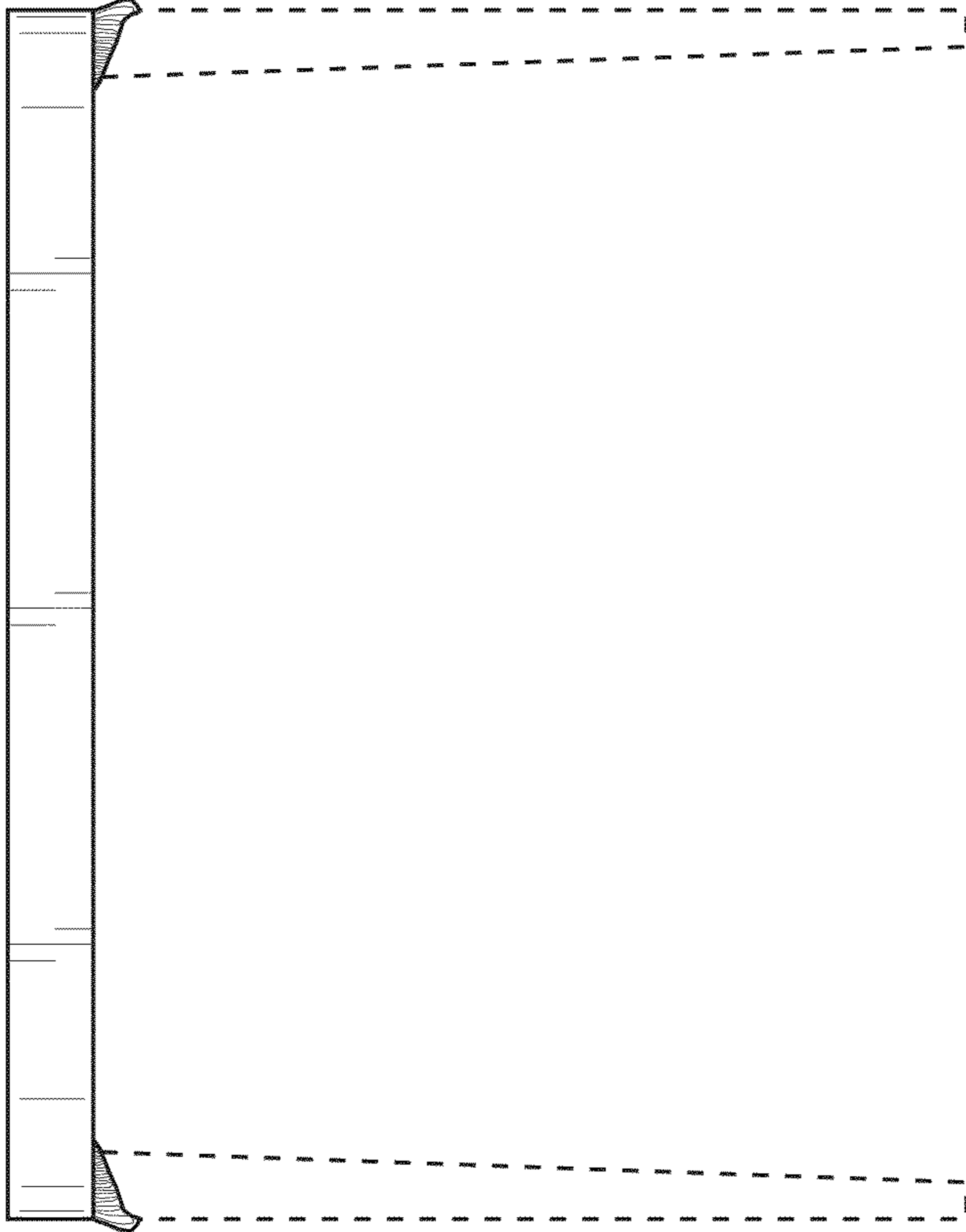
**FIG. 9**



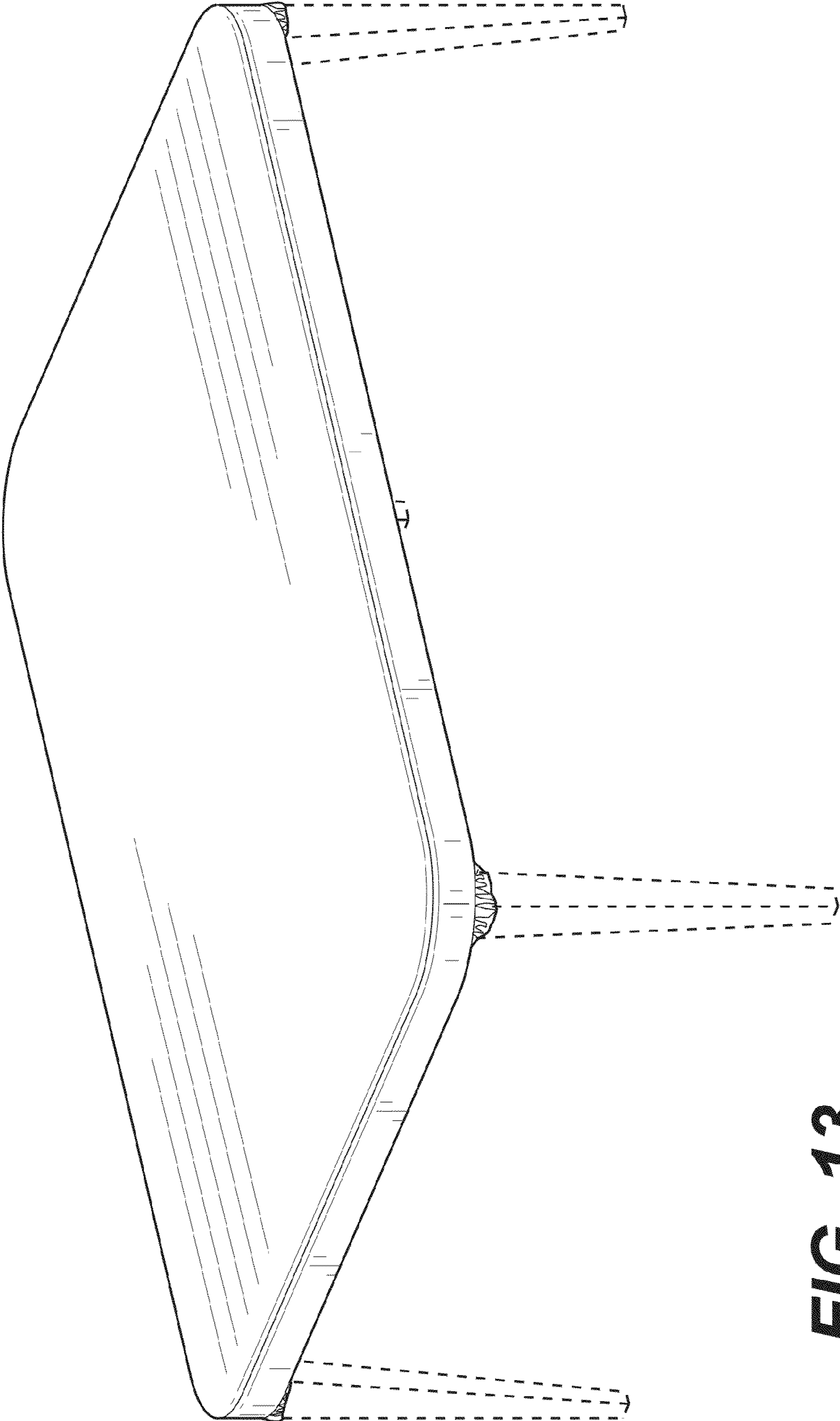
**FIG. 10**



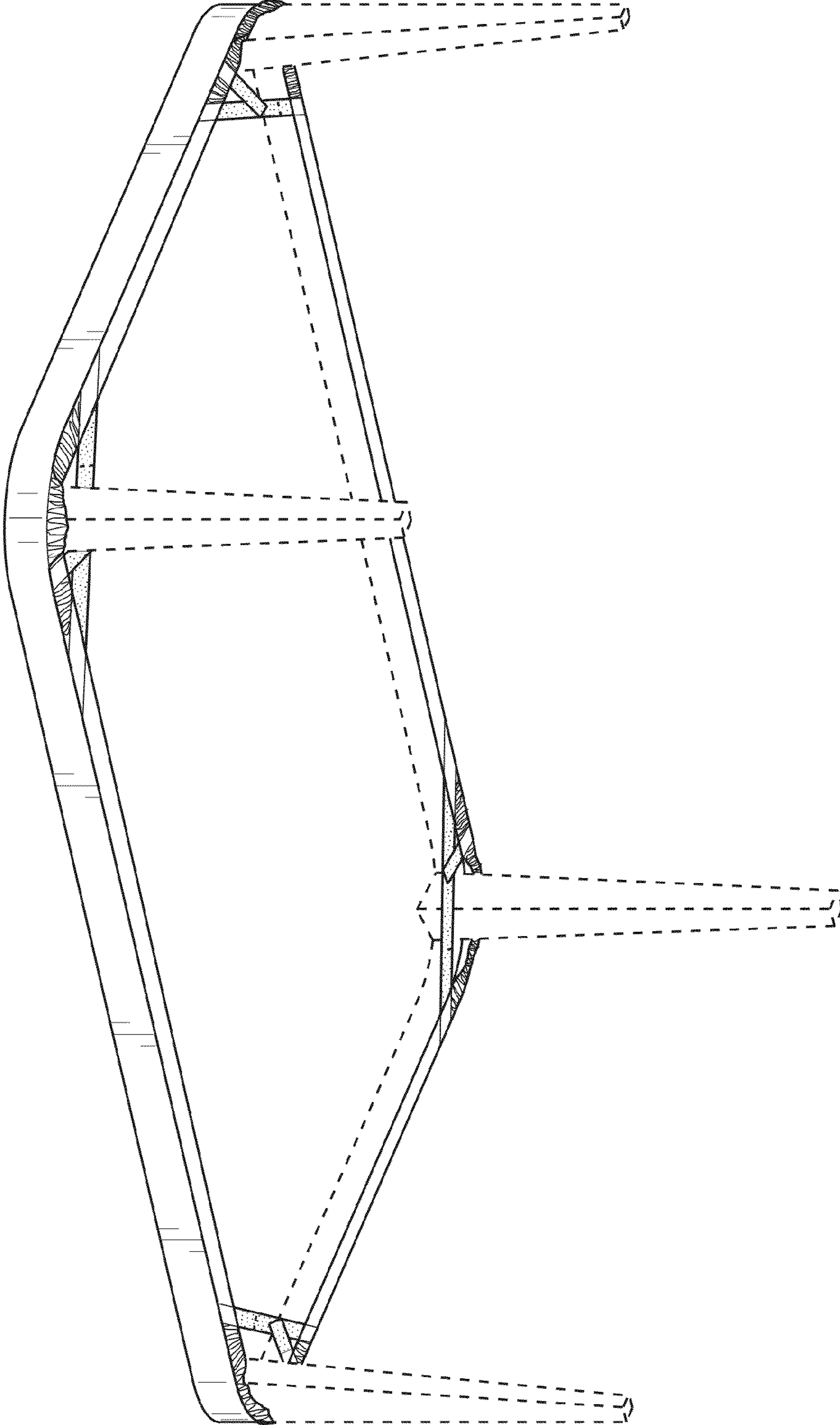
**FIG. 11**



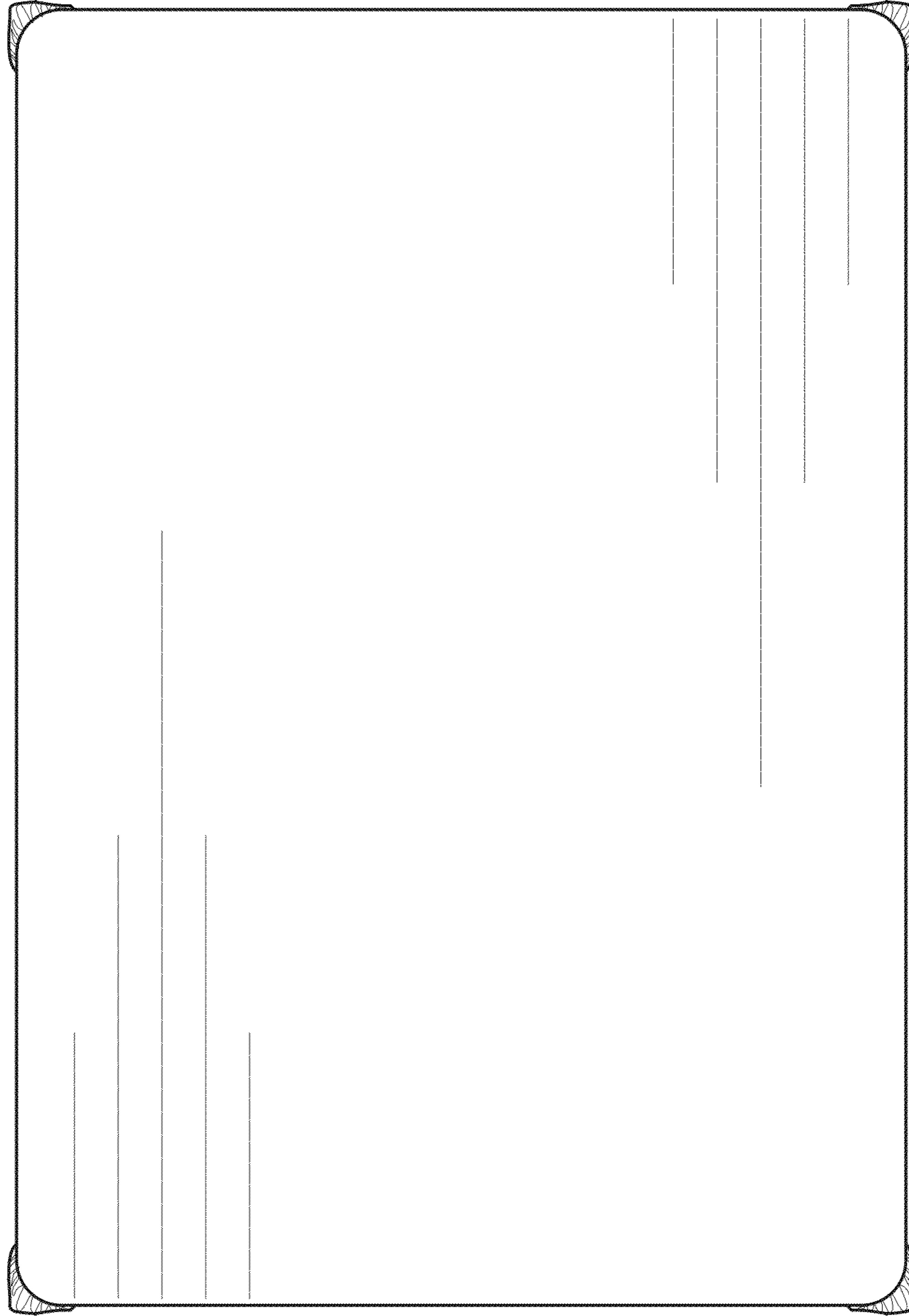
**FIG. 12**



**FIG. 13**

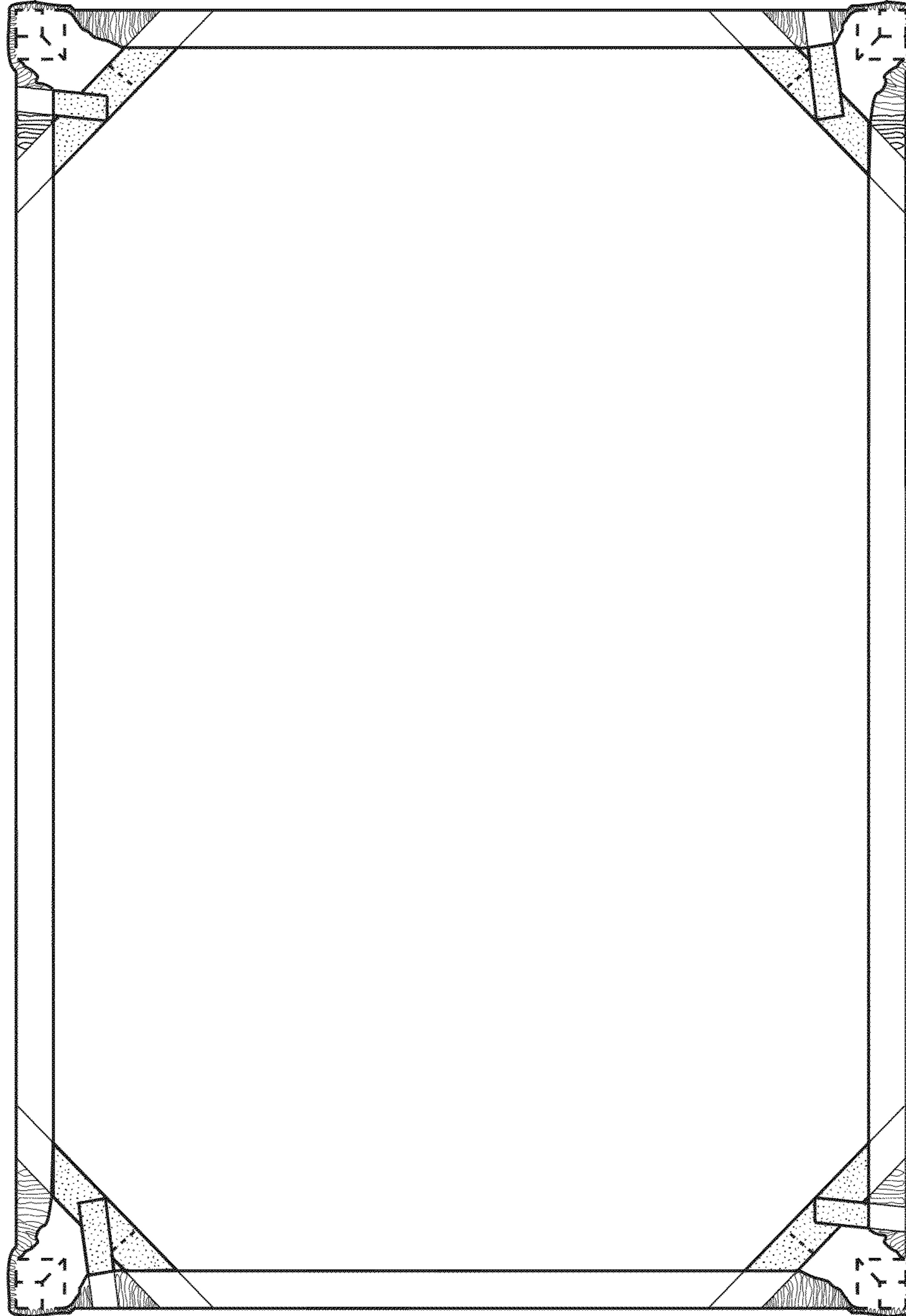


**FIG. 14**

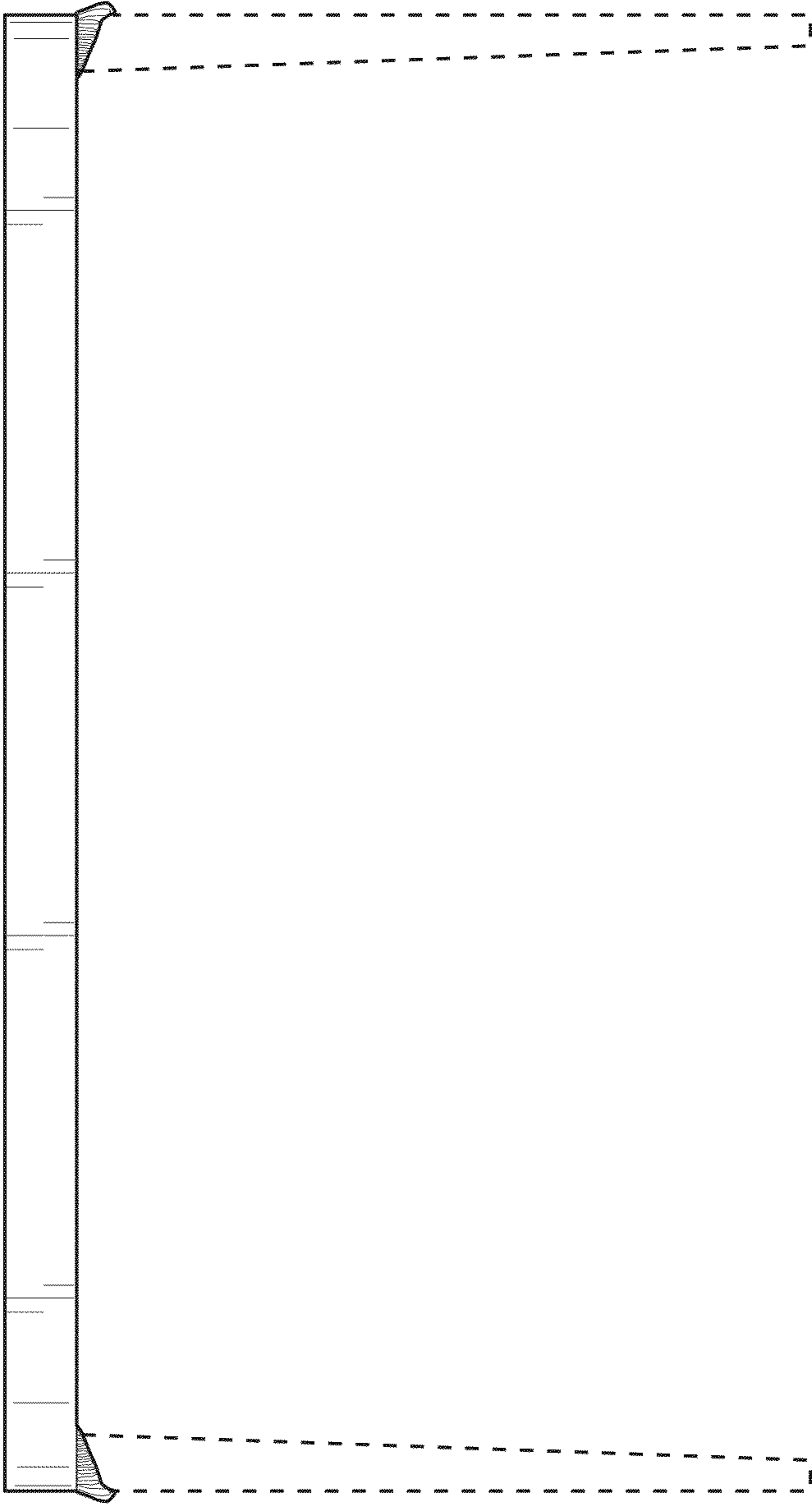


**FIG. 15**

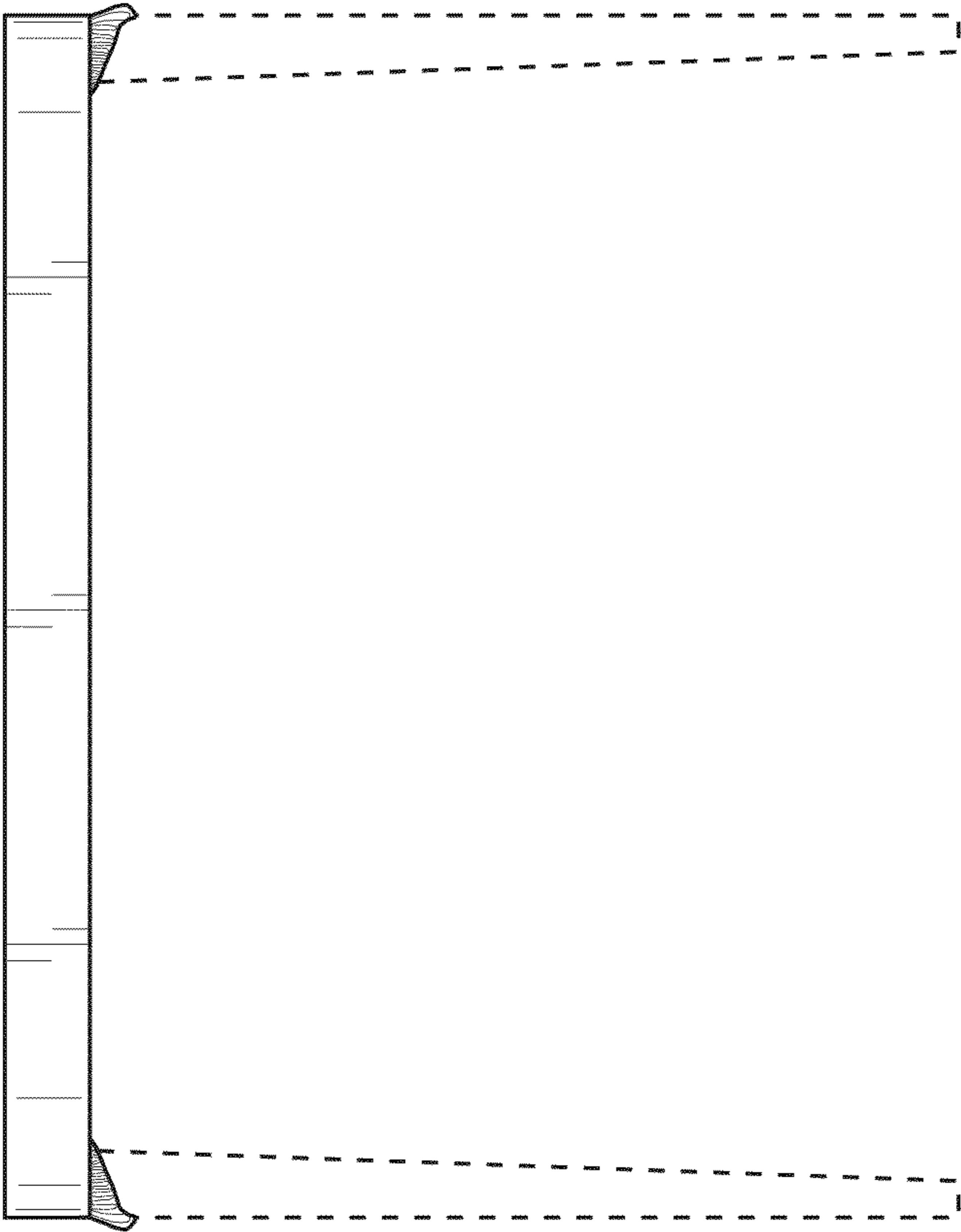




**FIG. 16**



**FIG. 17**



**FIG. 18**